



US00D713247S

(12) **United States Design Patent**  
**Webster et al.**

(10) **Patent No.:** **US D713,247 S**

(45) **Date of Patent:** **\*\* Sep. 16, 2014**

(54) **ROUNDED SAFETY CLOSURE**

(71) Applicant: **Hoffer Plastics Corporation**, South Elgin, IL (US)

(72) Inventors: **Charles Webster**, South Elgin, IL (US);  
**Daniel Pritikin**, Santa Monica, CA (US)

(73) Assignee: **Hoffer Plastics Corporation**, South Elgin, IL (US)

(\*\*) Term: **14 Years**

(21) Appl. No.: **29/434,694**

(22) Filed: **Oct. 16, 2012**

(51) **LOC (10) Cl.** ..... **09-07**

(52) **U.S. Cl.**  
USPC ..... **D9/454**; D9/438

(58) **Field of Classification Search**  
CPC ..... B65D 47/24; B65D 75/5883  
USPC ..... D9/434, 435, 439, 440, 443, 446, 447,  
D9/449, 453, 454, 417; D7/396.2, 392.1;  
215/235, 236, 307, 311;  
220/254.2-254.5, 259.3, 26, 715, 837;  
222/212, 484, 556

See application file for complete search history.

(56) **References Cited**

U.S. PATENT DOCUMENTS

3,454,181	A *	7/1969	Riss et al. ....	220/288
D420,744	S *	2/2000	Ostgaard et al. ....	D24/224
D425,421	S *	5/2000	Klima et al. ....	D9/448
D432,916	S *	10/2000	Drinkwater et al. ....	D9/447
D471,667	S *	3/2003	Angeletta ....	D28/7
6,932,248	B2 *	8/2005	Fracasso ....	222/522
D553,981	S *	10/2007	Harre et al. ....	D9/435
D559,681	S *	1/2008	Buter et al. ....	D9/447
D575,986	S *	9/2008	Cetera ....	D7/501
D604,613	S *	11/2009	Garboni ....	D9/454

D630,732	S *	1/2011	Lev et al. ....	D24/129
D670,559	S *	11/2012	Webster ....	D9/453
D684,055	S *	6/2013	Kwon ....	D9/452
D684,056	S *	6/2013	Kwon ....	D9/452
2004/0050884	A1 *	3/2004	Boggs et al. ....	222/520
2009/0084752	A1 *	4/2009	Coulson ....	215/311

OTHER PUBLICATIONS

Dole Fruit Squish'Ems™ screen capture. Found online Feb. 11, 2014 at <http://www.dole.com/fruitsquishems.htm>.\*

"Hoffer Plastics unveils 'T'-shaped cap" Food Production Daily webzine dated Aug. 22, 2013. <http://www.foodproductiondaily.com/Packaging/Hoffer-Plastics-unveils-T-shaped-cap>.\*

Trust-T-Lok R-Series screen capture. (c) 2014 hoffer Plastics. Found online at <http://www.drop-lok.com/trust-t-lok-r-series/>.\*

\* cited by examiner

Primary Examiner — Robert M Spear

(74) Attorney, Agent, or Firm — Knechtel, Demeur & Samlan

(57) **CLAIM**

We claim the ornamental design for a rounded safety closure, as shown and described.

**DESCRIPTION**

FIG. 1 is a front top perspective view of a safety closure showing the new design;

FIG. 2 is a front bottom perspective view thereof;

FIG. 3 is a top plan view thereof;

FIG. 4 is a front elevation view thereof with the rear elevation view being the same;

FIG. 5 is a bottom view thereof; and,

FIG. 6 is similar to FIG. 4 except rotated counterclockwise 45 degrees.

The broken lines in the drawings represent unclaimed environmental subject matter and form no part of the claim.

**1 Claim, 3 Drawing Sheets**

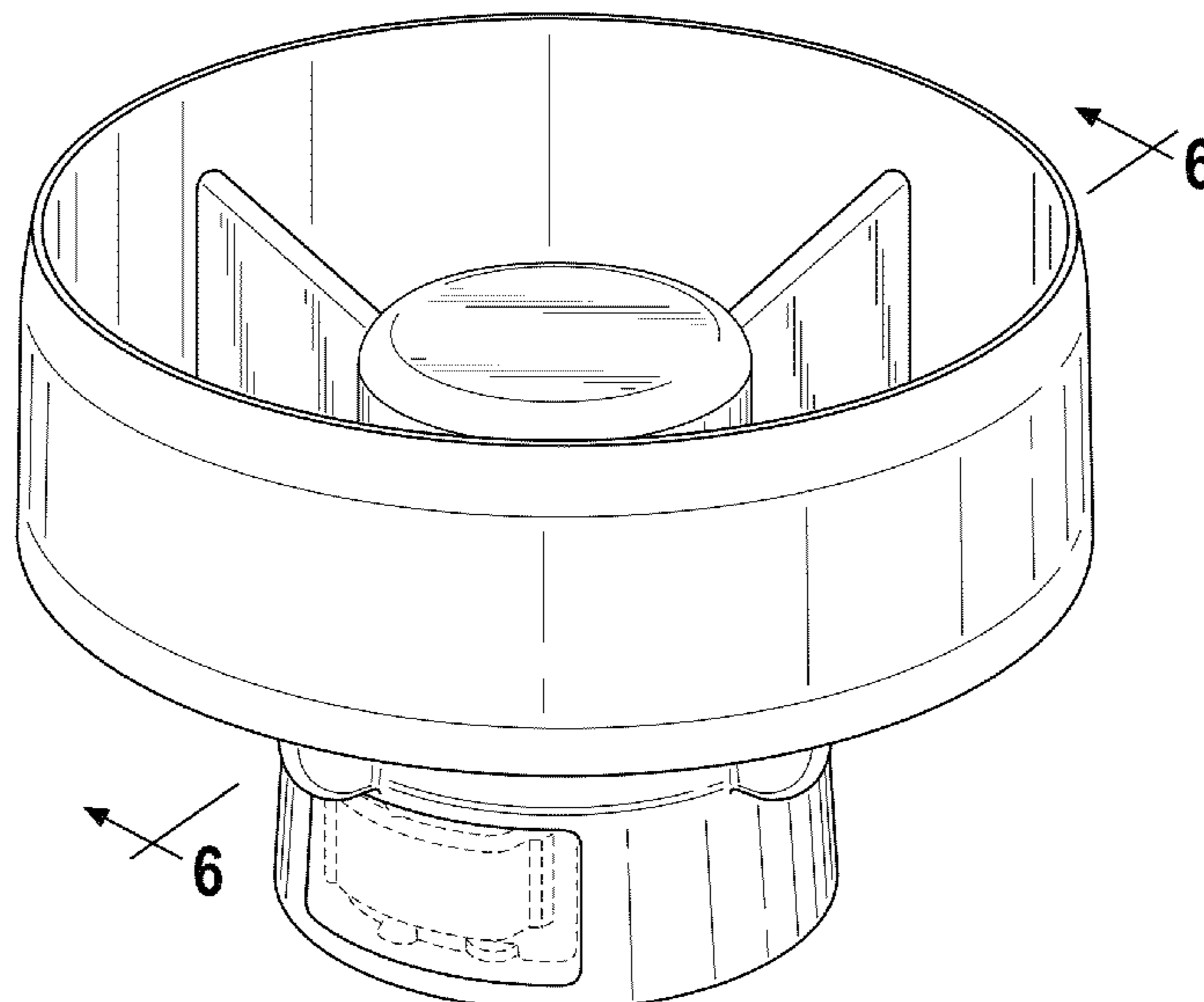


Fig. 1

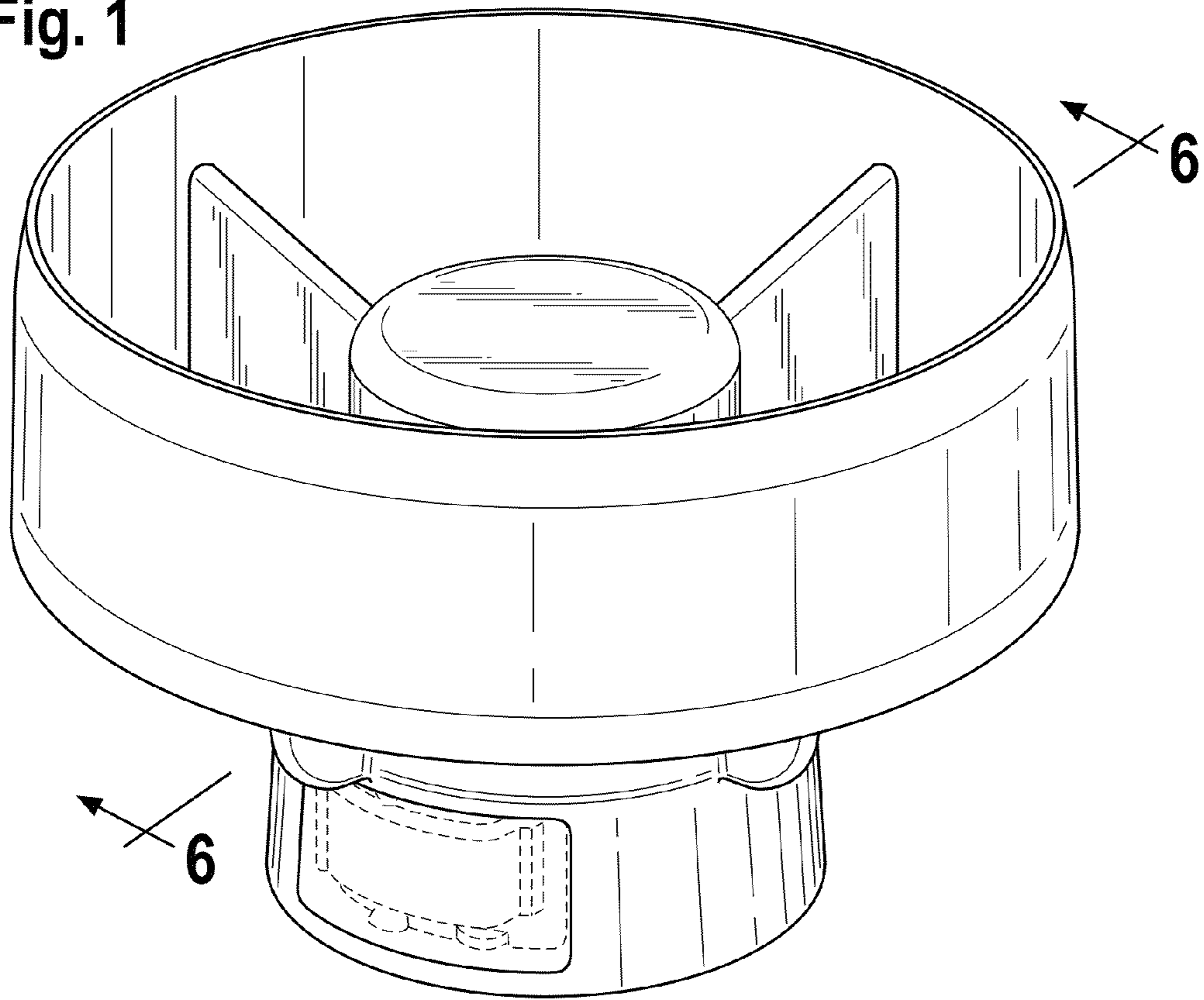
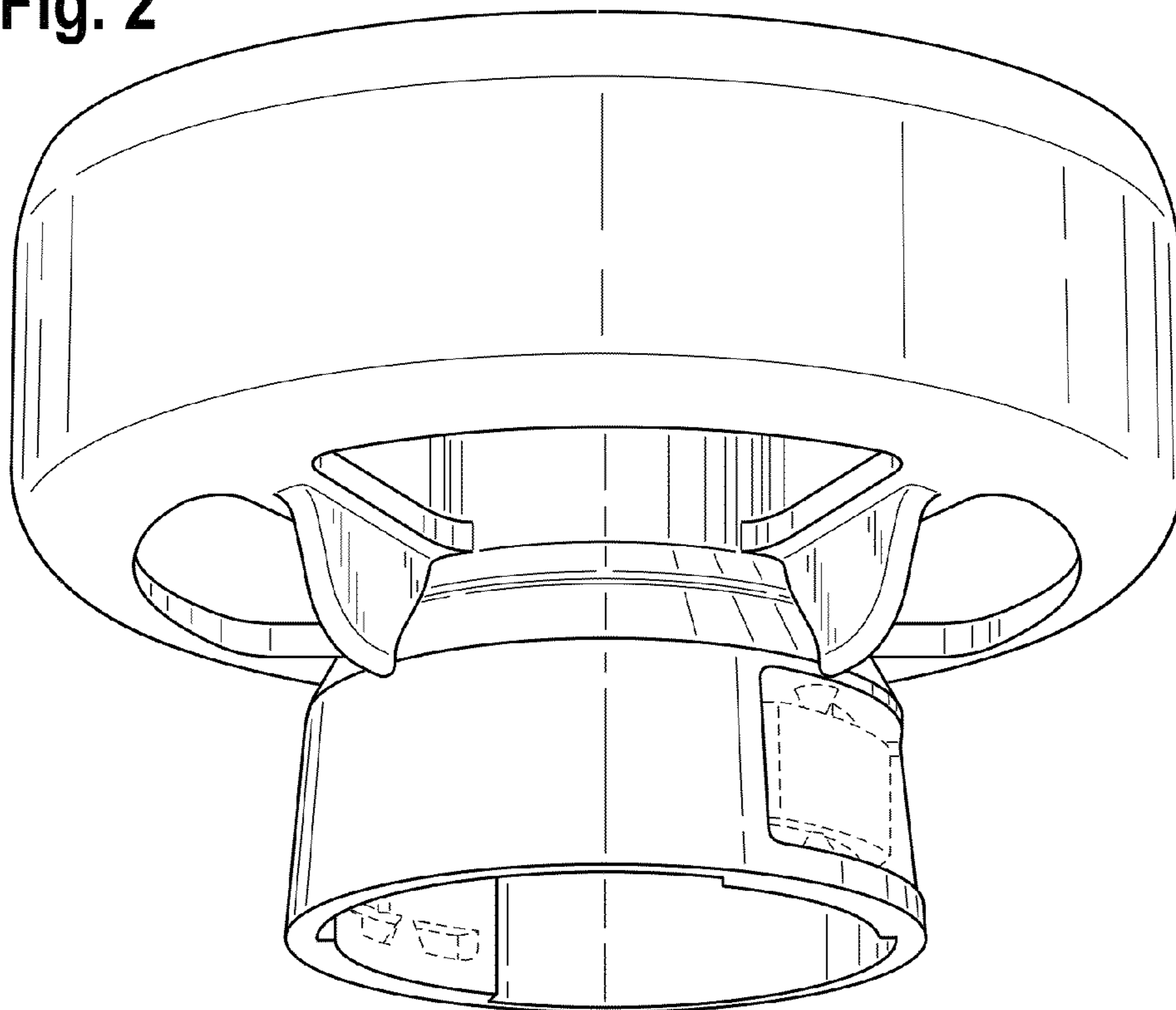
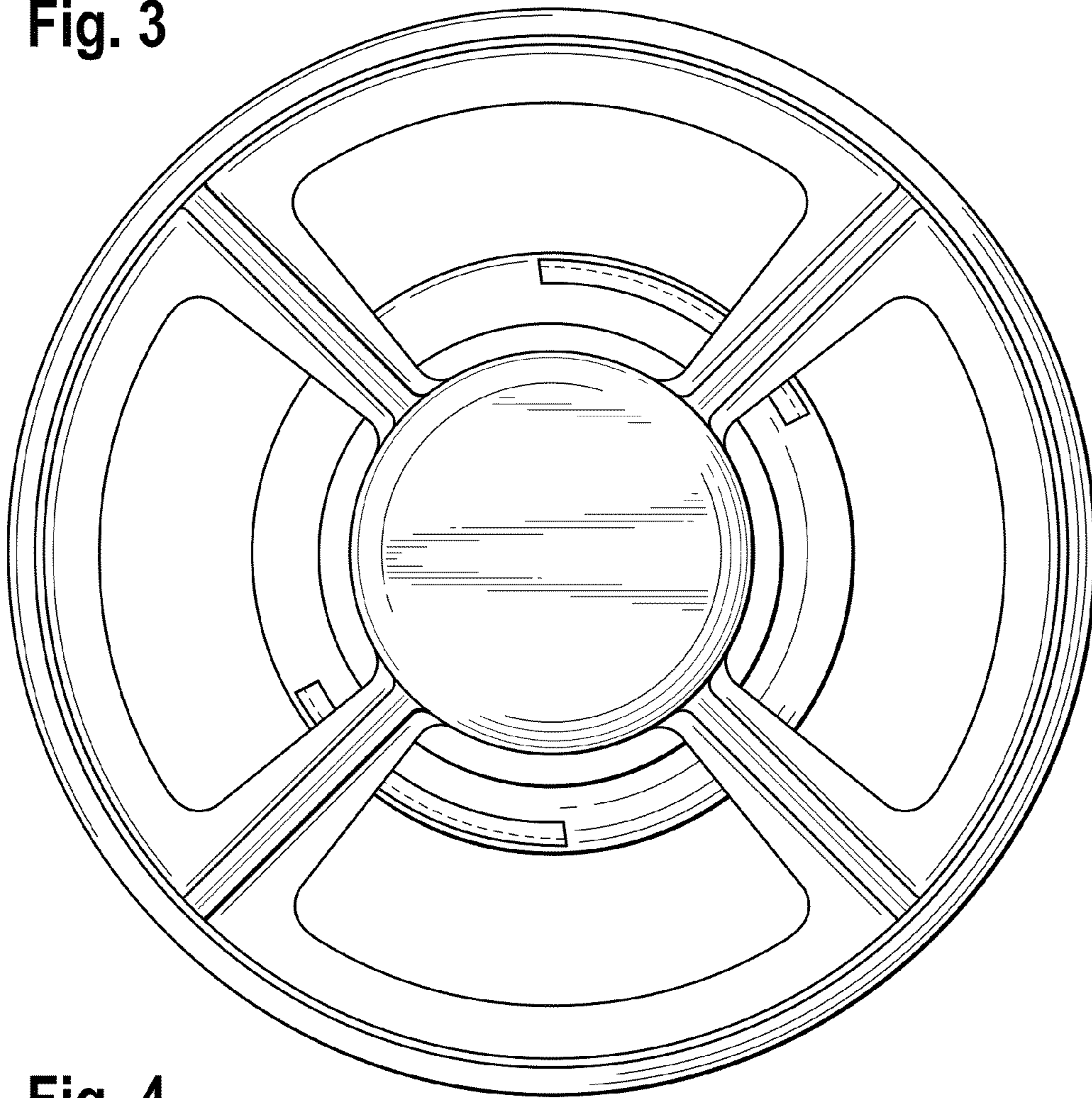


Fig. 2

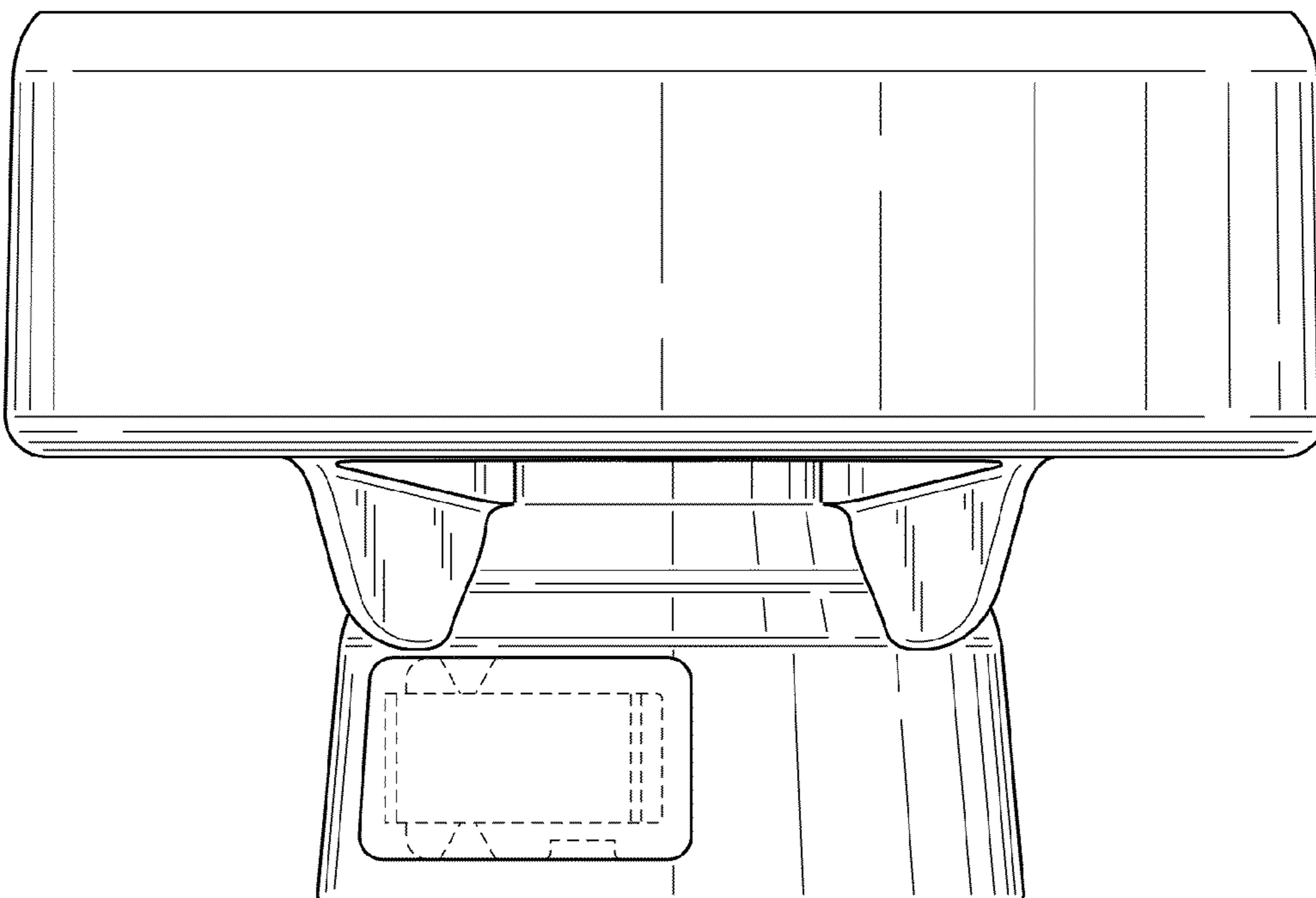




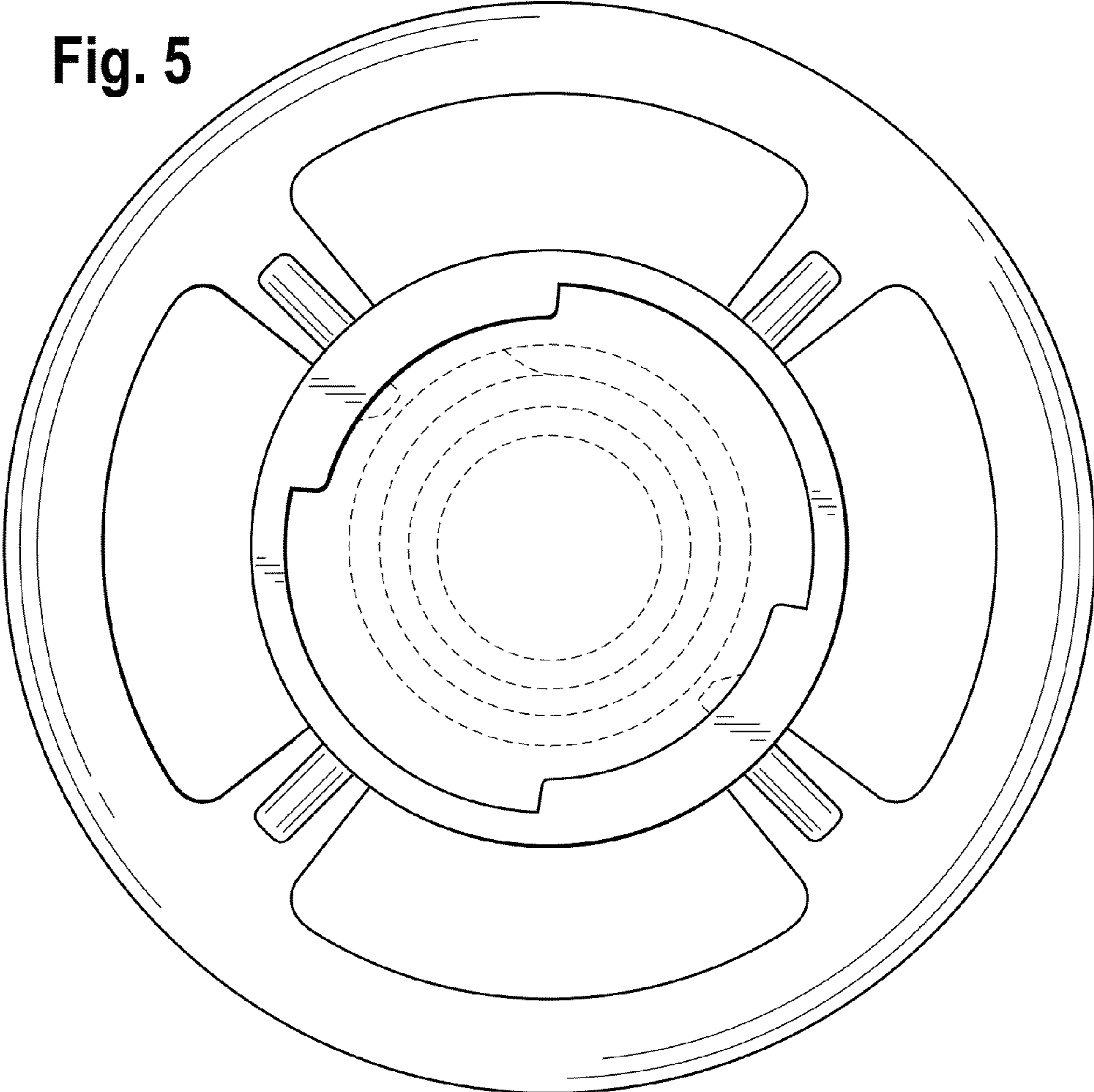
**Fig. 3**



**Fig. 4**



**Fig. 5**



**Fig. 6**

