



US00D713246S

(12) **United States Design Patent**  
**Dove**

(10) **Patent No.:** **US D713,246 S**  
(45) **Date of Patent:** **\*\* Sep. 16, 2014**

(54) **CAP WITH STONES**

(56) **References Cited**

U.S. PATENT DOCUMENTS

- (71) Applicant: **RDPR Ltd.**, Brighton (GB)
- (72) Inventor: **Roja Dove**, Brighton (GB)
- (73) Assignee: **RDPR Ltd.**, Brighton (GB)
- (\*\*) Term: **14 Years**
- (21) Appl. No.: **29/455,042**
- (22) Filed: **May 16, 2013**

|              |         |                        |        |
|--------------|---------|------------------------|--------|
| D121,286 S * | 7/1940  | Robert .....           | D9/544 |
| D204,572 S * | 4/1966  | DuPree .....           | D7/300 |
| D277,455 S * | 2/1985  | Tordjman .....         | D9/546 |
| D289,142 S * | 4/1987  | Bijaoui .....          | D9/546 |
| D382,480 S * | 8/1997  | Wacker .....           | D9/435 |
| D419,073 S * | 1/2000  | Jauffret .....         | D9/544 |
| D457,091 S * | 5/2002  | Lai .....              | D11/91 |
| D474,693 S * | 5/2003  | Gruosi-Scheufele ..... | D9/544 |
| D549,577 S * | 8/2007  | Schactner et al. ....  | D9/439 |
| D551,974 S * | 10/2007 | Canamasas Puigbo ..... | D9/451 |
| D610,916 S * | 3/2010  | Yeung et al. ....      | D9/682 |
| D619,470 S * | 7/2010  | Zeidan .....           | D9/544 |
| D633,806 S * | 3/2011  | Lecoule .....          | D9/451 |

\* cited by examiner

(30) **Foreign Application Priority Data**

Nov. 16, 2012 (EM) ..... 001352488-0001

*Primary Examiner* — Sandra Morris

(74) *Attorney, Agent, or Firm* — Nixon & Vanderhye, P.C.

(51) **LOC (10) Cl.** ..... **09-07**

(57) **CLAIM**

The ornamental design for a cap with stones, as shown and described.

(52) **U.S. Cl.**  
USPC ..... **D9/441**

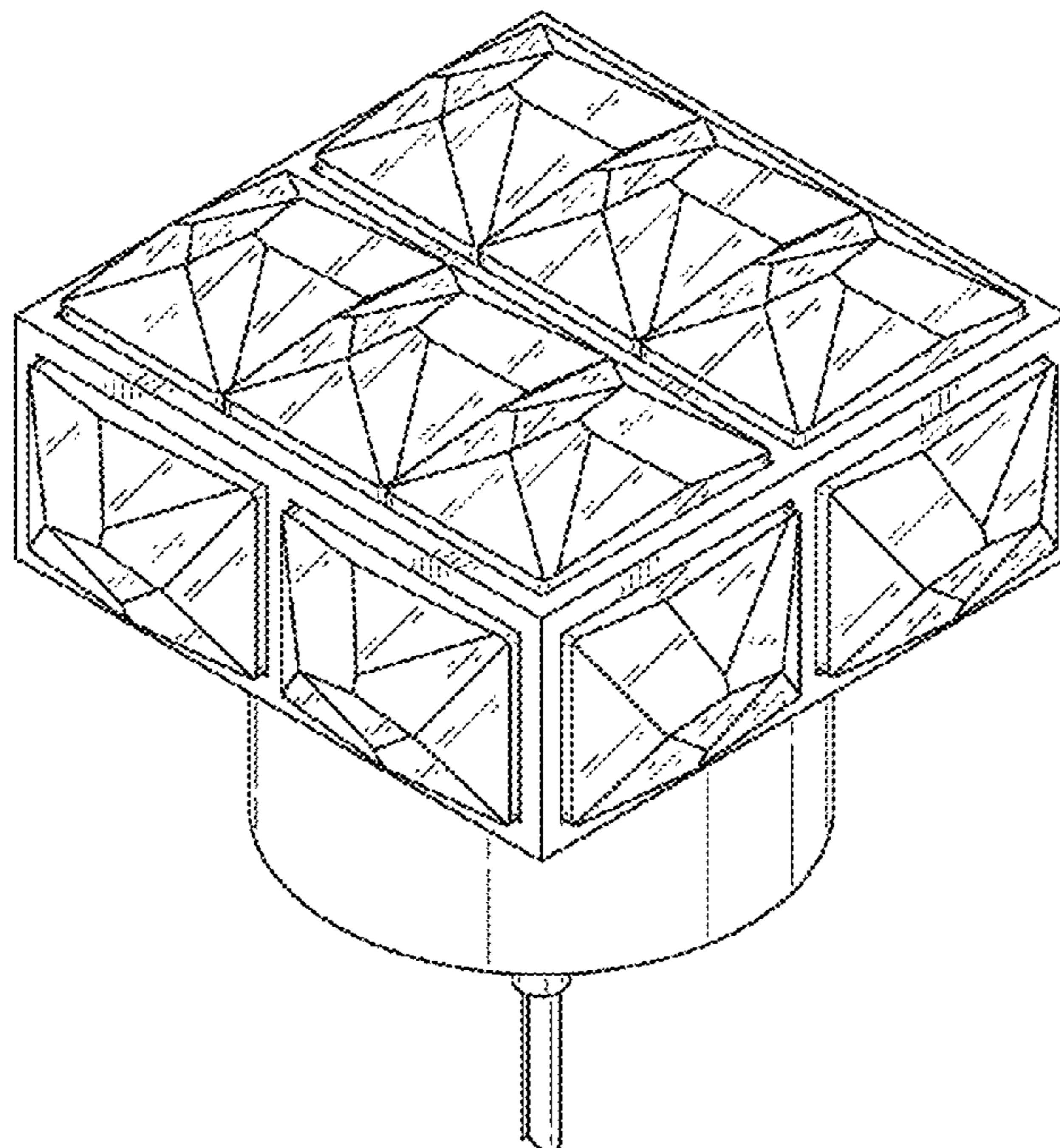
**DESCRIPTION**

(58) **Field of Classification Search**  
USPC ..... D7/514–516, 599, 619.2, 623, 628,  
D7/392.1; D9/600, 651, 500–504, 516,  
D9/544–546, 560, 567–570, 434–435,  
D9/439–441, 451; 206/457, 527, 540;  
220/890; D11/91

FIG. 1 is a perspective view of the cap with stones.  
FIG. 2 is a front elevation view thereof.  
FIG. 3 is a back elevation view thereof.  
FIG. 4 is a left elevation view thereof.  
FIG. 5 is a right elevation view thereof.  
FIG. 6 is a top plan view thereof; and,  
FIG. 7 is a bottom plan view thereof.

See application file for complete search history.

**1 Claim, 4 Drawing Sheets**



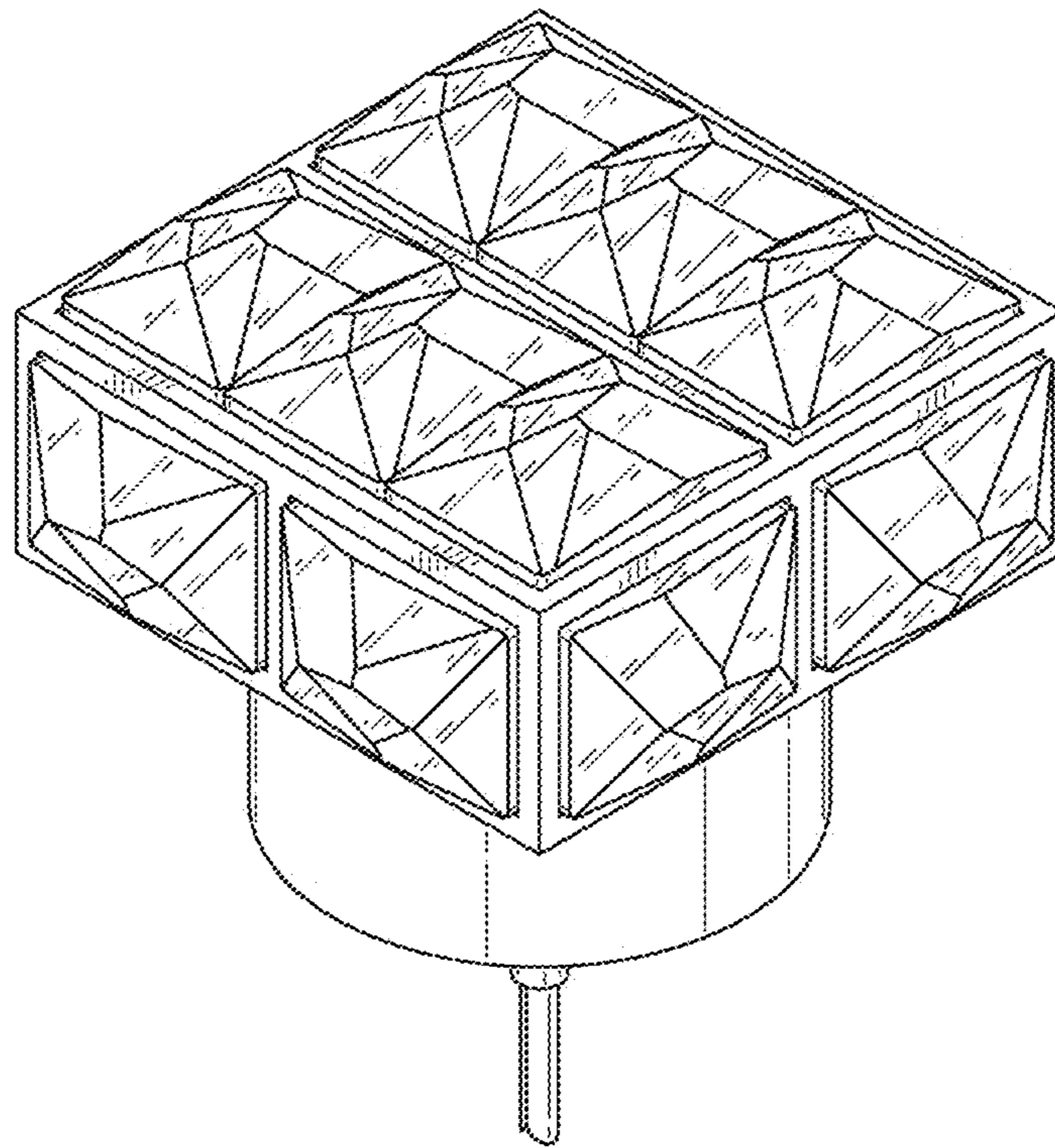


Fig. 1

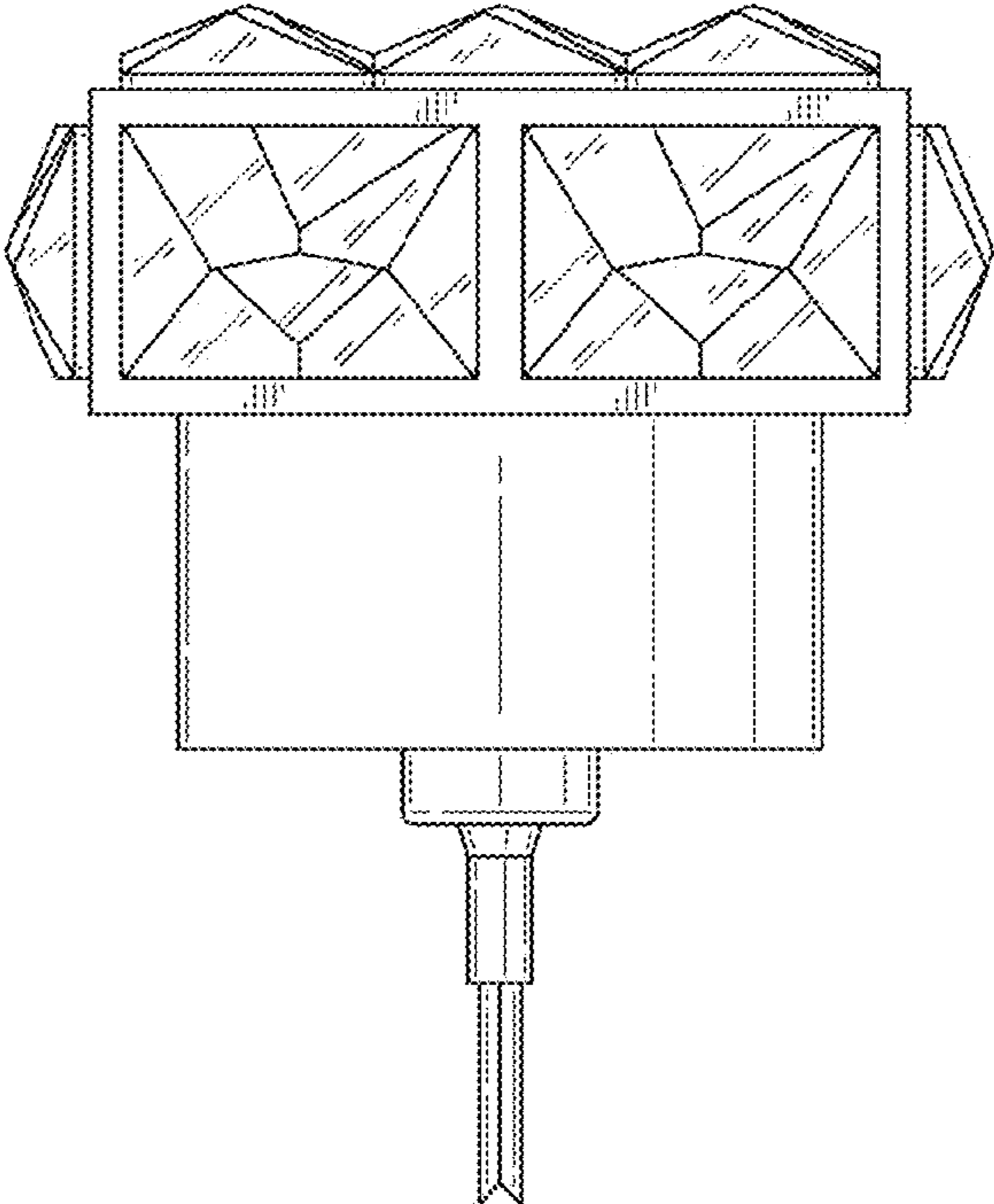


Fig. 2

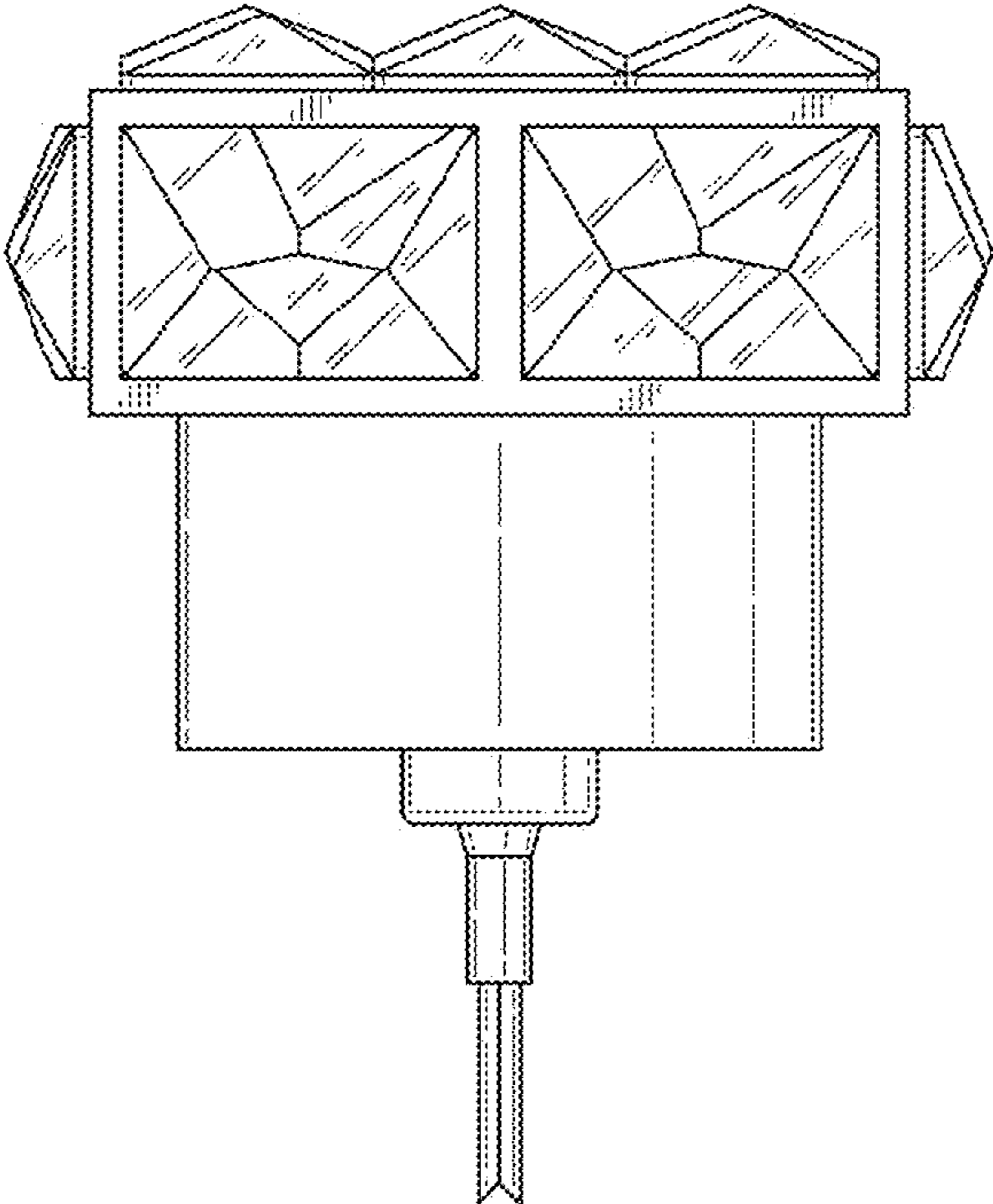


Fig. 3

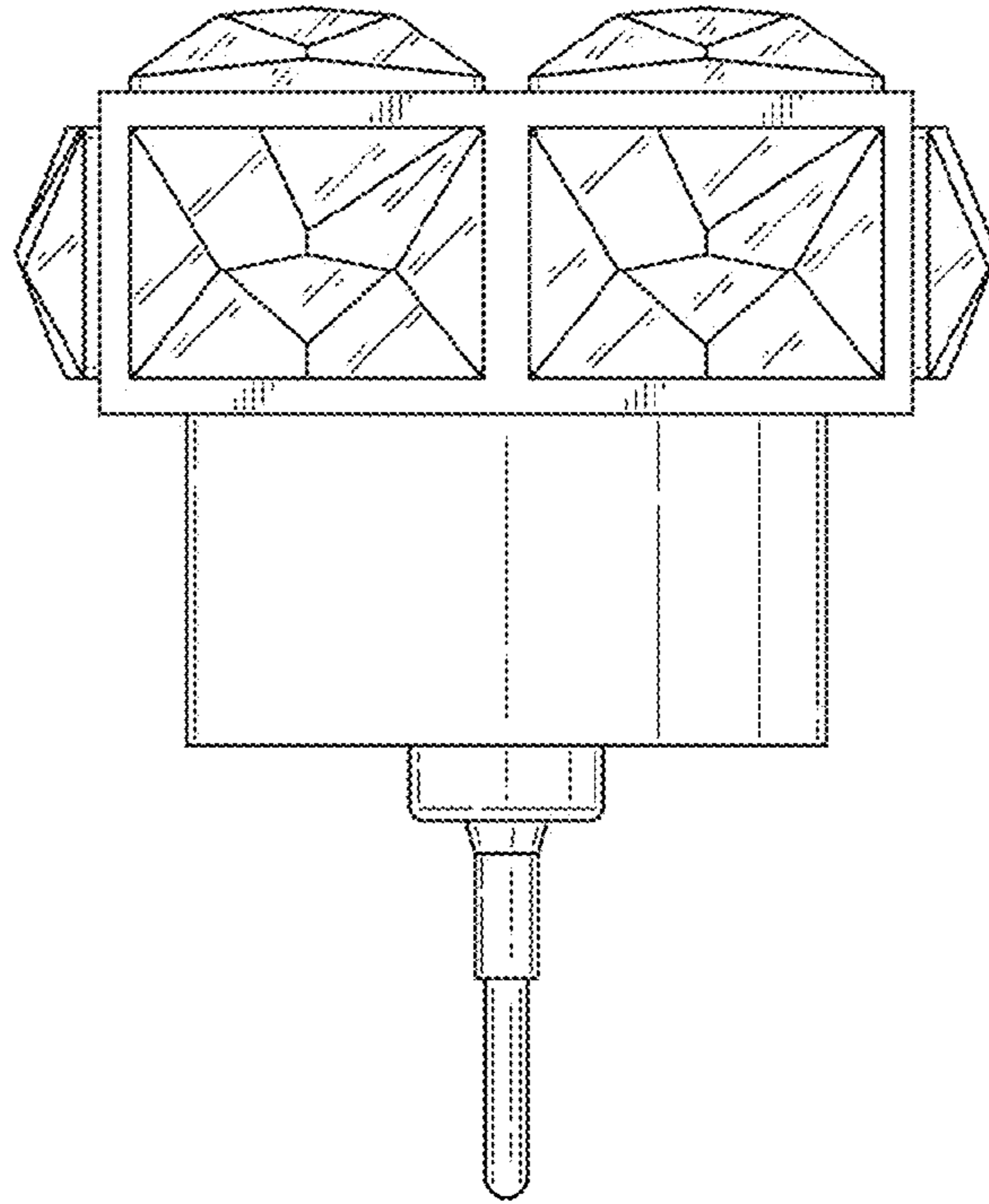


Fig. 4

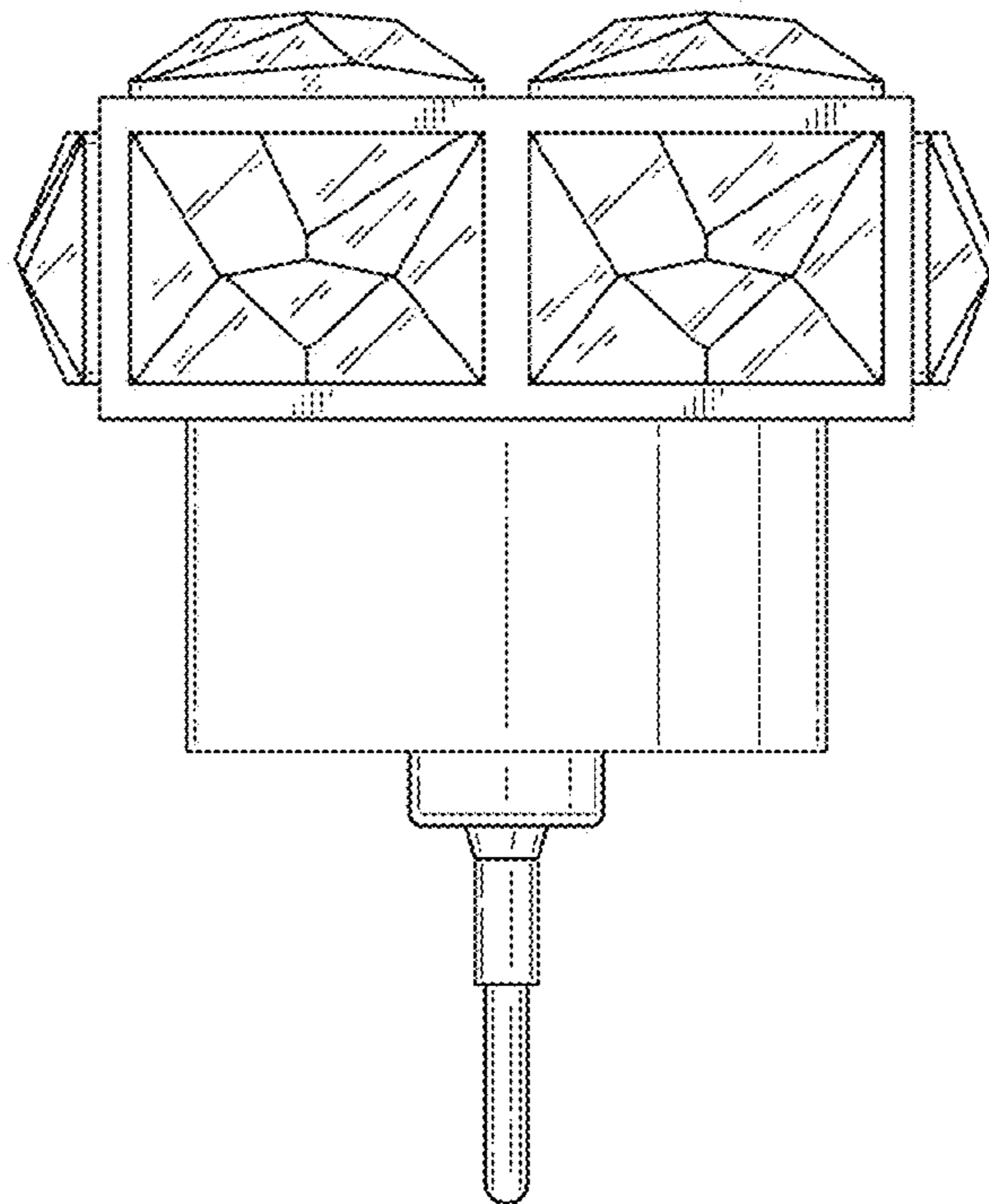


Fig. 5



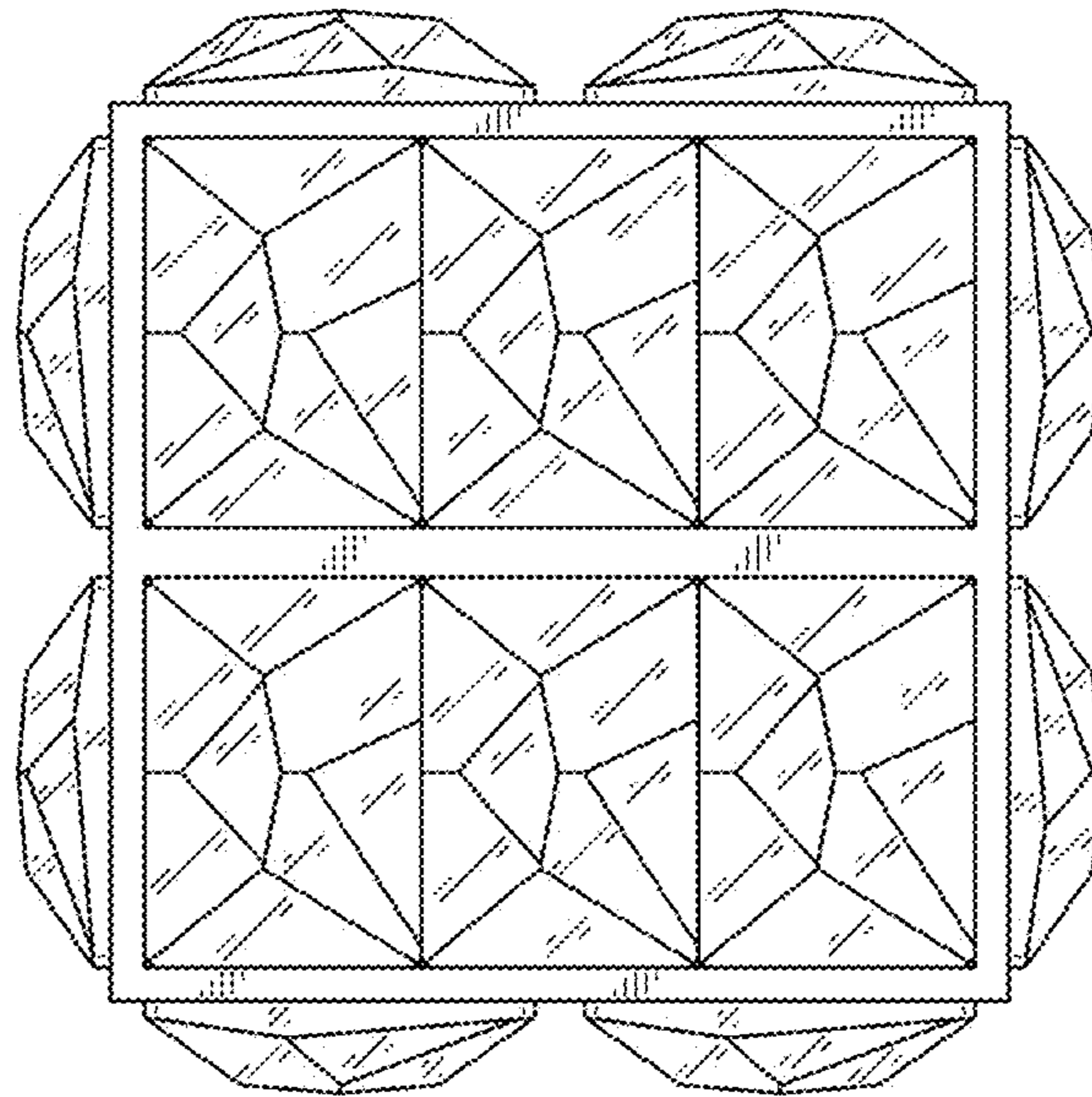


Fig. 6

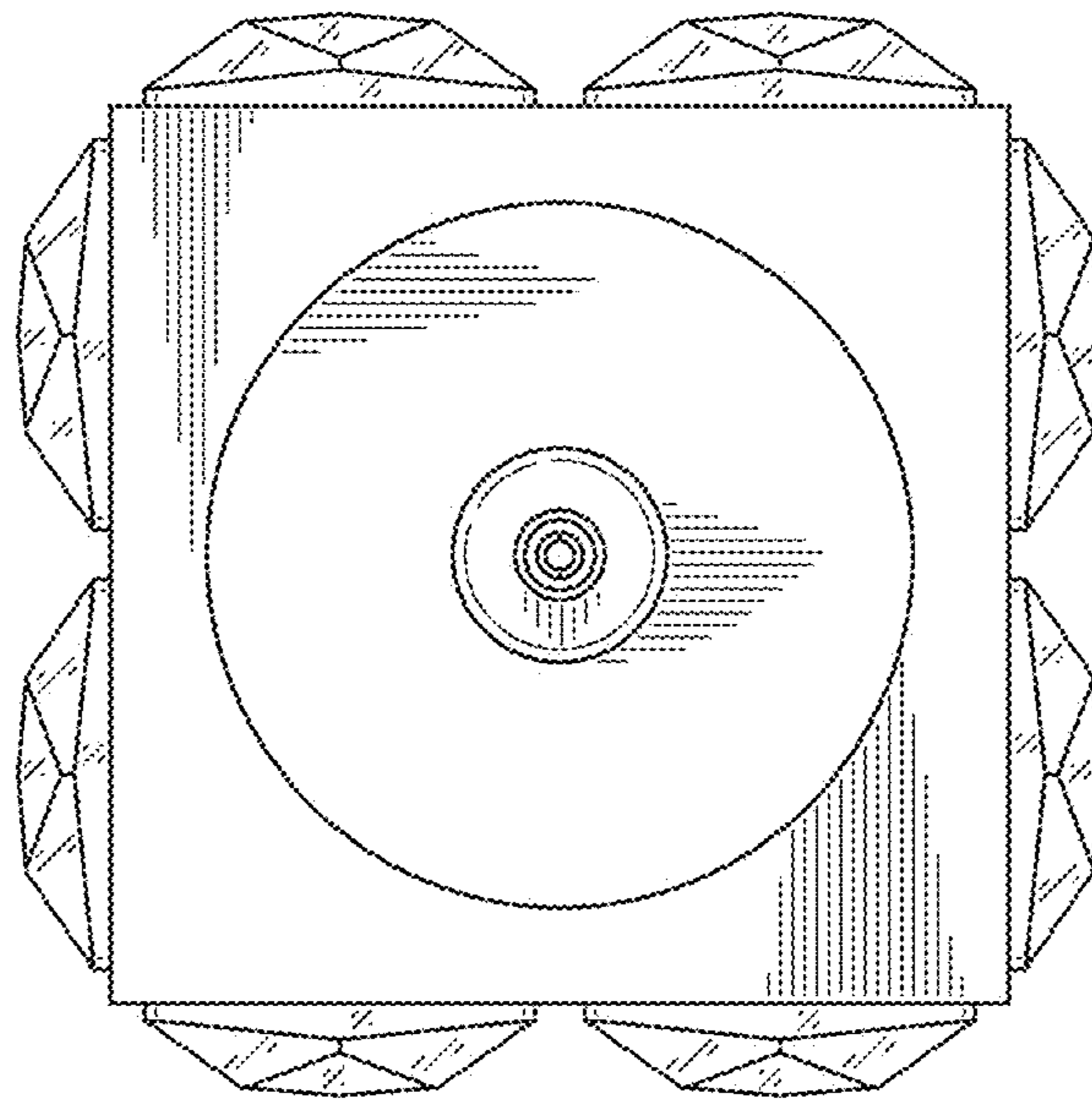


Fig. 7