



US00D713244S

(12) **United States Design Patent**
DuHaime

(10) **Patent No.:** **US D713,244 S**
(45) **Date of Patent:** **** Sep. 16, 2014**

(54) **COMBINABLE CONTAINER**

(76) Inventor: **Raymond Joseph DuHaime,**
Warminster, PA (US)

(**) Term: **14 Years**

(21) Appl. No.: **29/429,833**

(22) Filed: **Aug. 17, 2012**

5,429,262 A	7/1995	Sharkey	
D370,412 S *	6/1996	Rohrer	D9/761
5,540,333 A	7/1996	Gonzalez et al.	
5,626,283 A	5/1997	Mellon	
5,630,544 A	5/1997	Shane	
5,799,794 A	9/1998	Whitnell	
5,842,631 A	12/1998	Berger	
6,062,468 A	5/2000	Tausanovitch	
6,076,700 A	6/2000	Manges	
6,152,362 A	11/2000	Rosenfeld	
6,216,946 B1	4/2001	Cai	

(Continued)

Related U.S. Application Data

(63) Continuation-in-part of application No. 13/446,799, filed on Apr. 13, 2012, which is a continuation-in-part of application No. 12/481,831, filed on Jun. 10, 2009, now abandoned.

(51) **LOC (10) Cl.** **09-03**

(52) **U.S. Cl.**
USPC **D9/414; D9/501; D7/509**

(58) **Field of Classification Search**
USPC D7/555, 587, 557, 584, 586, 582, 550.1, D7/552.2, 553.1, 553.2, 553.4-553.6, D7/553.7-554.4, 502, 538-543, 585, 410, D7/355, 549, 500, 501, 505, 558, 357, 576, D7/503, 610-611, 387, 393, 36.1, 552.1, D7/544, 566, 689; D9/414-434; 220/574-575, 751, 23.4, 556, 501

See application file for complete search history.

(56) **References Cited**

U.S. PATENT DOCUMENTS

2,170,311 A *	8/1939	Smith	220/575
2,387,982 A	10/1945	Demuth	
3,128,984 A	4/1964	Palm	
3,442,435 A	5/1969	Ludder et al.	
D301,820 S *	6/1989	Wasserman	D7/553.5
4,854,466 A	8/1989	Lane, Jr.	
D304,777 S *	11/1989	Glenn	D7/549
D332,552 S *	1/1993	Lynch	D7/505
D349,212 S *	8/1994	Lynch	D7/505

FOREIGN PATENT DOCUMENTS

JP 62-093034 6/1987

OTHER PUBLICATIONS

International Search Report and Written Opinion mailed on Aug. 5, 2010, for corresponding International Application No. PCT/US2009/068788.

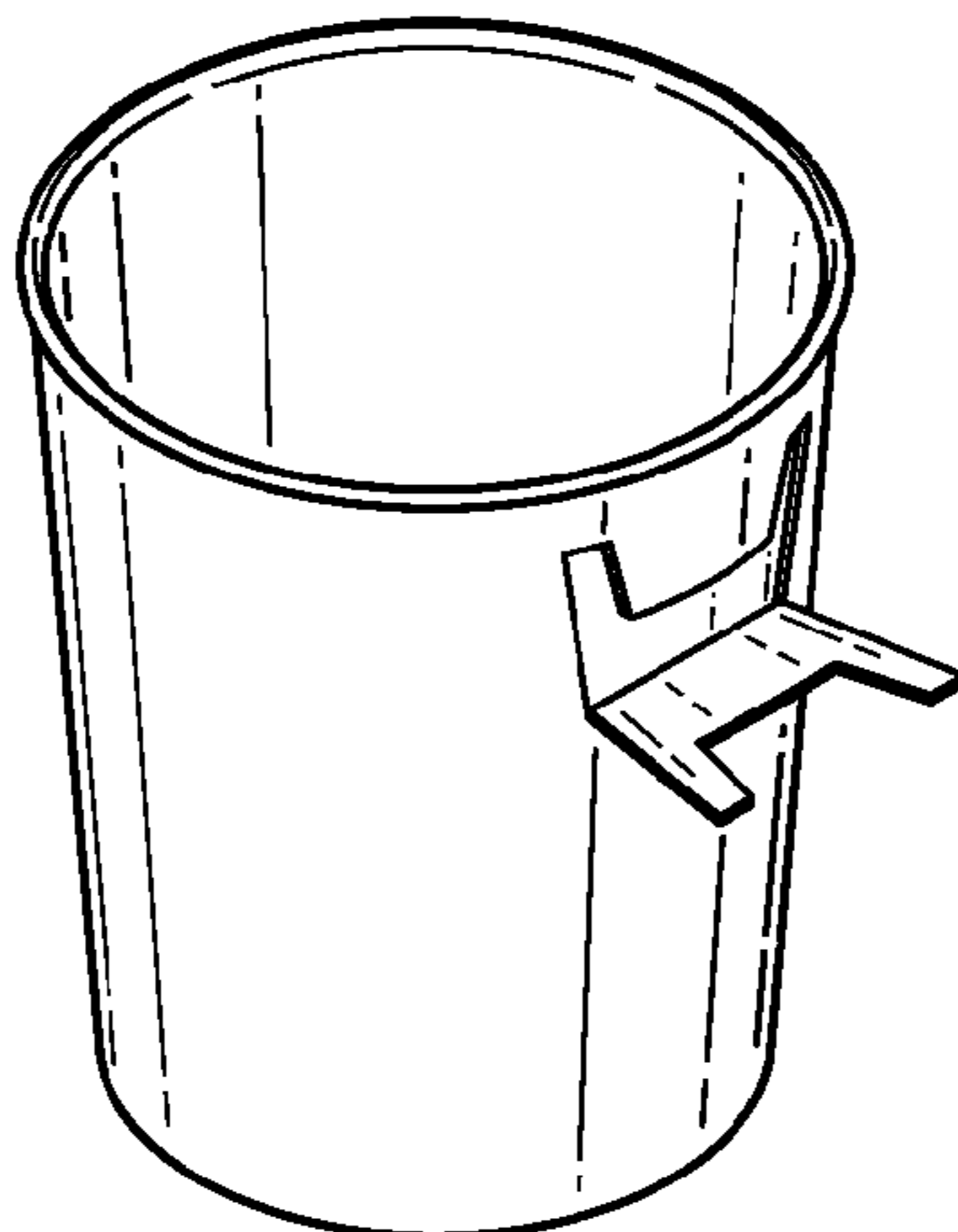
Primary Examiner — Eric Goodman
Assistant Examiner — Brett Miller
(74) *Attorney, Agent, or Firm* — Myers Wolin, LLC

(57) **CLAIM**
The ornamental design for a combinable container, as shown and described.

DESCRIPTION

FIG. 1 is a front perspective view of a first embodiment of a combinable container;
FIG. 2 is a top view thereof;
FIG. 3 is a left side view thereof, the right side being identical;
FIG. 4 is a front view thereof; and,
FIG. 5 is a bottom view thereof.
The broken lines depict environmental subject matter and form no part of the claimed design.

1 Claim, 1 Drawing Sheet



(56)

References Cited

U.S. PATENT DOCUMENTS

6,230,969	B1	5/2001	Spransy				
6,394,338	B1	5/2002	Sluder				
6,419,153	B1	7/2002	Maita				
6,612,485	B2	9/2003	Lackner et al.				
D510,520	S *	10/2005	Butler et al.	D9/430			* cited by examiner
D524,096	S *	7/2006	Babkes		D7/354		
D606,365	S *	12/2009	Roth et al.		D7/601		
D623,019	S *	9/2010	Wildman		D7/554.2		
D623,515	S *	9/2010	Gordon et al.		D9/432		
D623,938	S *	9/2010	Gordon et al.		D9/432		
D637,450	S *	5/2011	Cheng		D7/354		
2008/0164268	A1	7/2008	D'Amato				
2008/0290089	A1	11/2008	Ciarrocchi, Jr.				

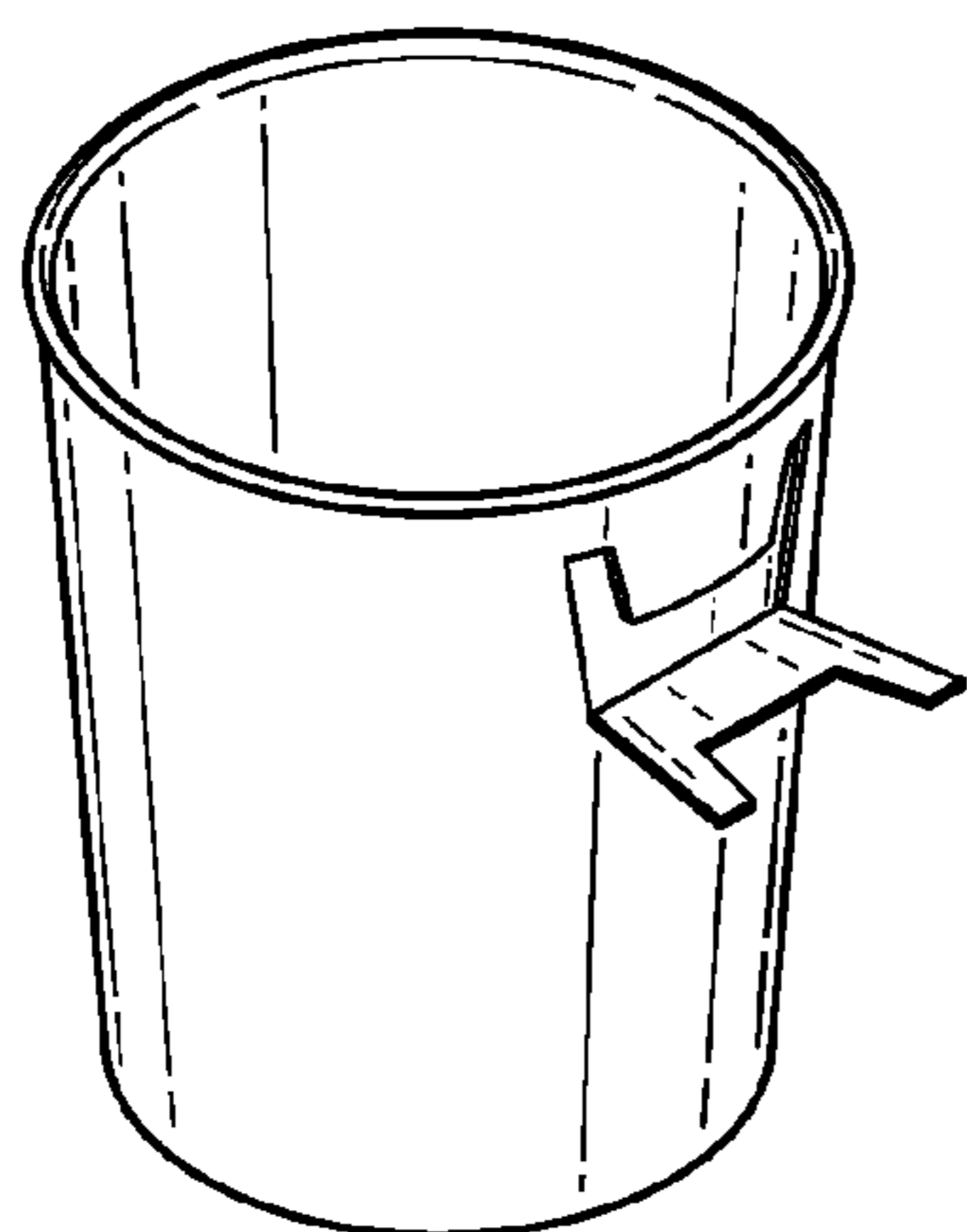


FIG. 1

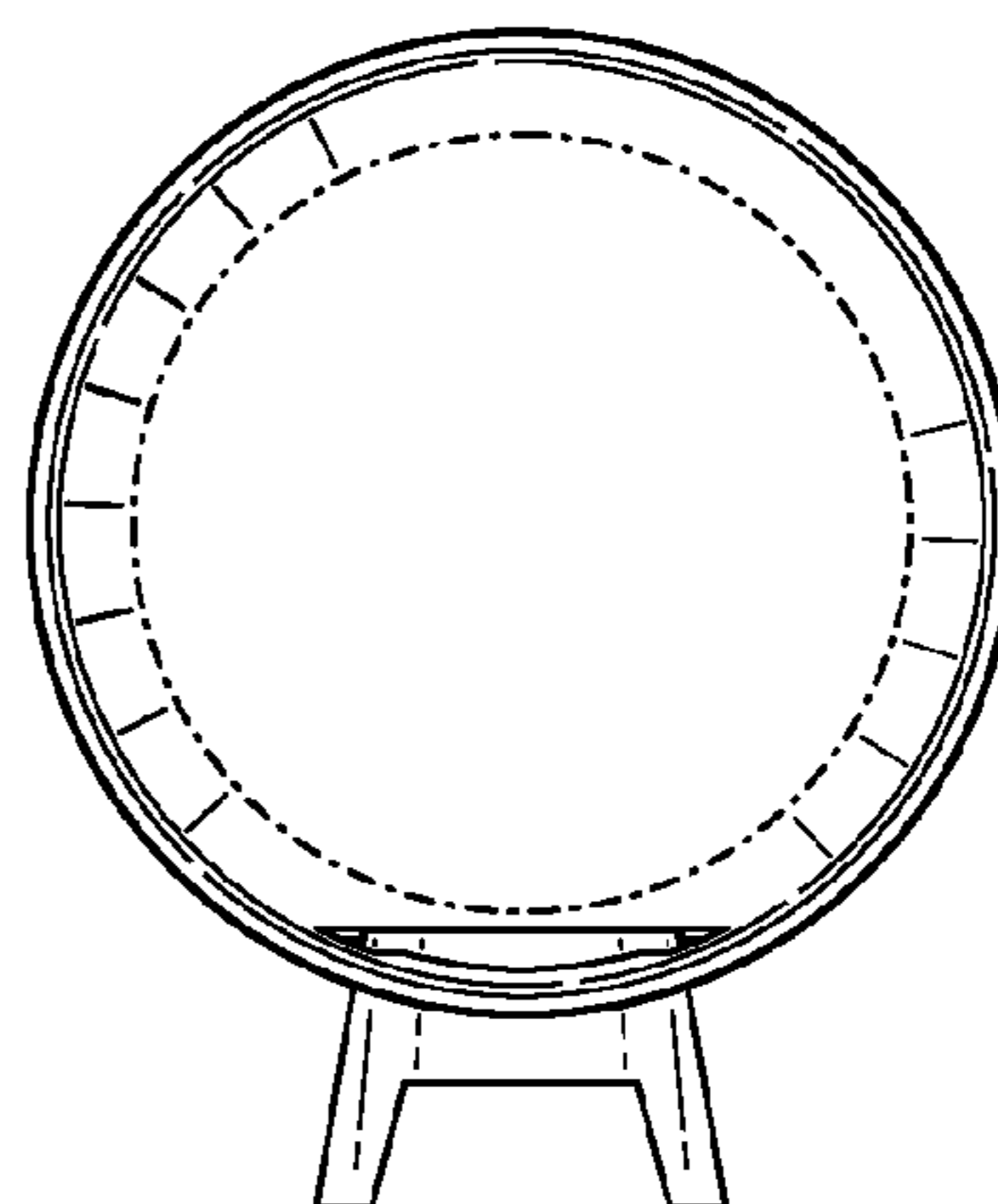


FIG. 2

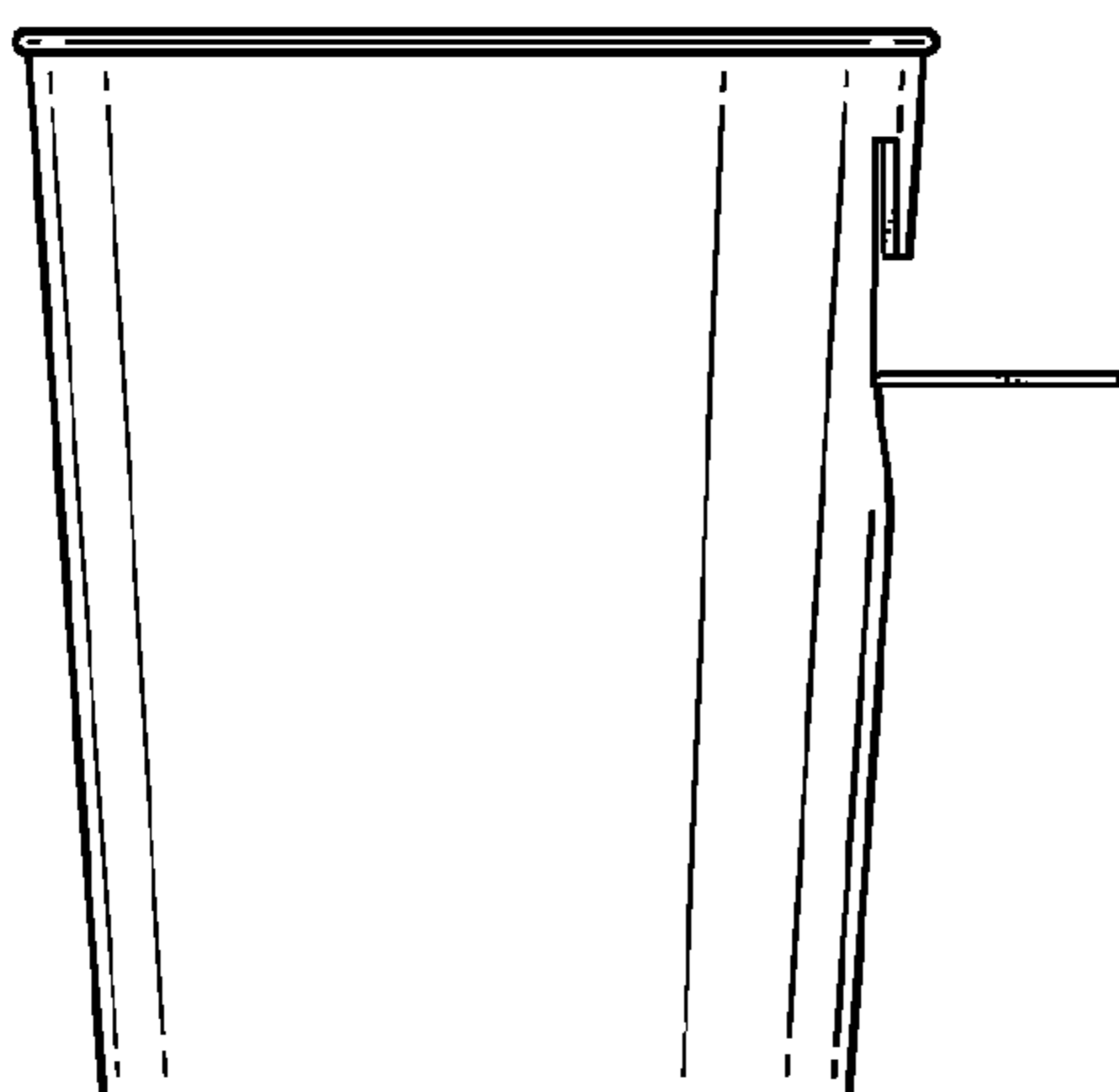


FIG. 3

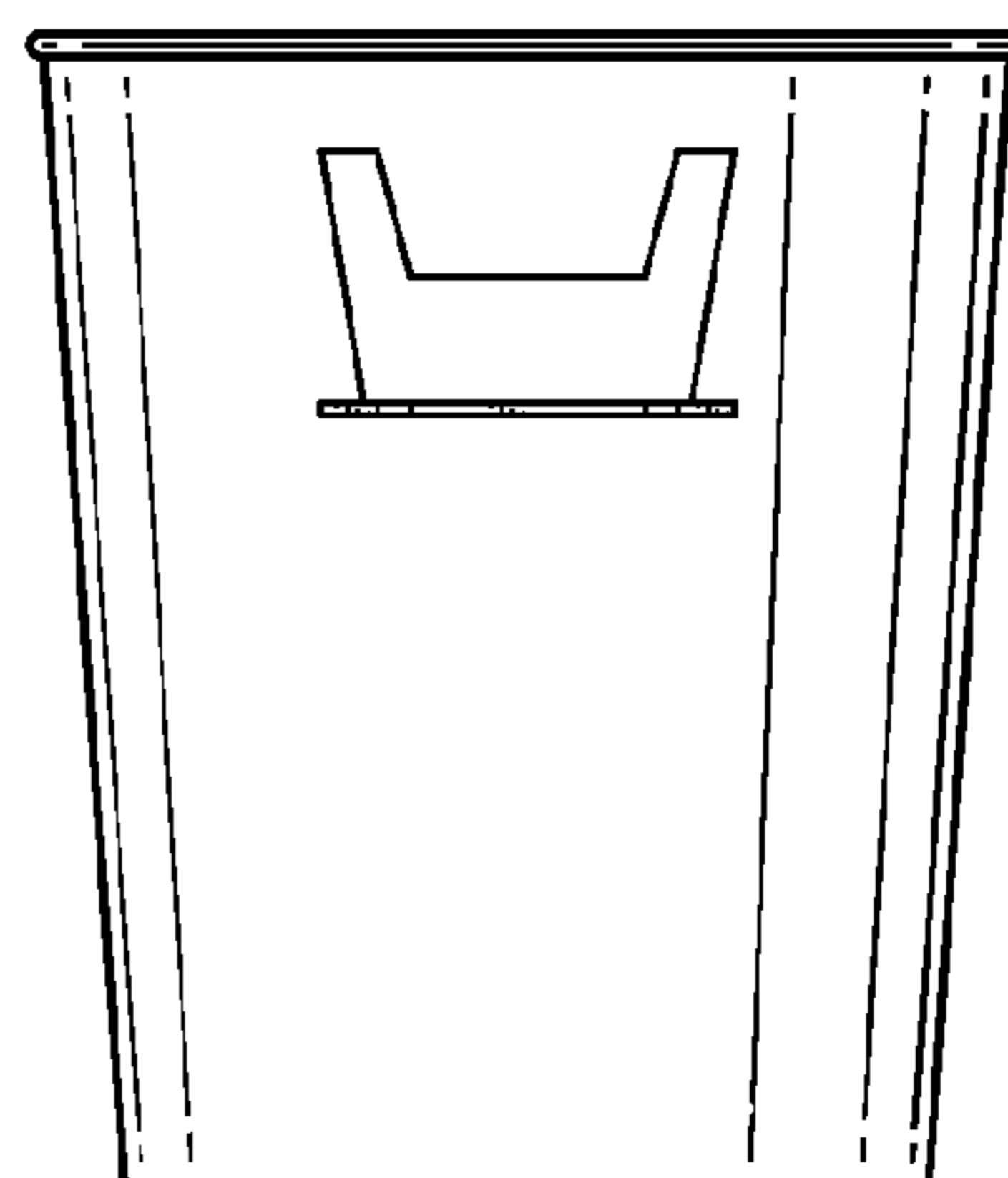


FIG. 4

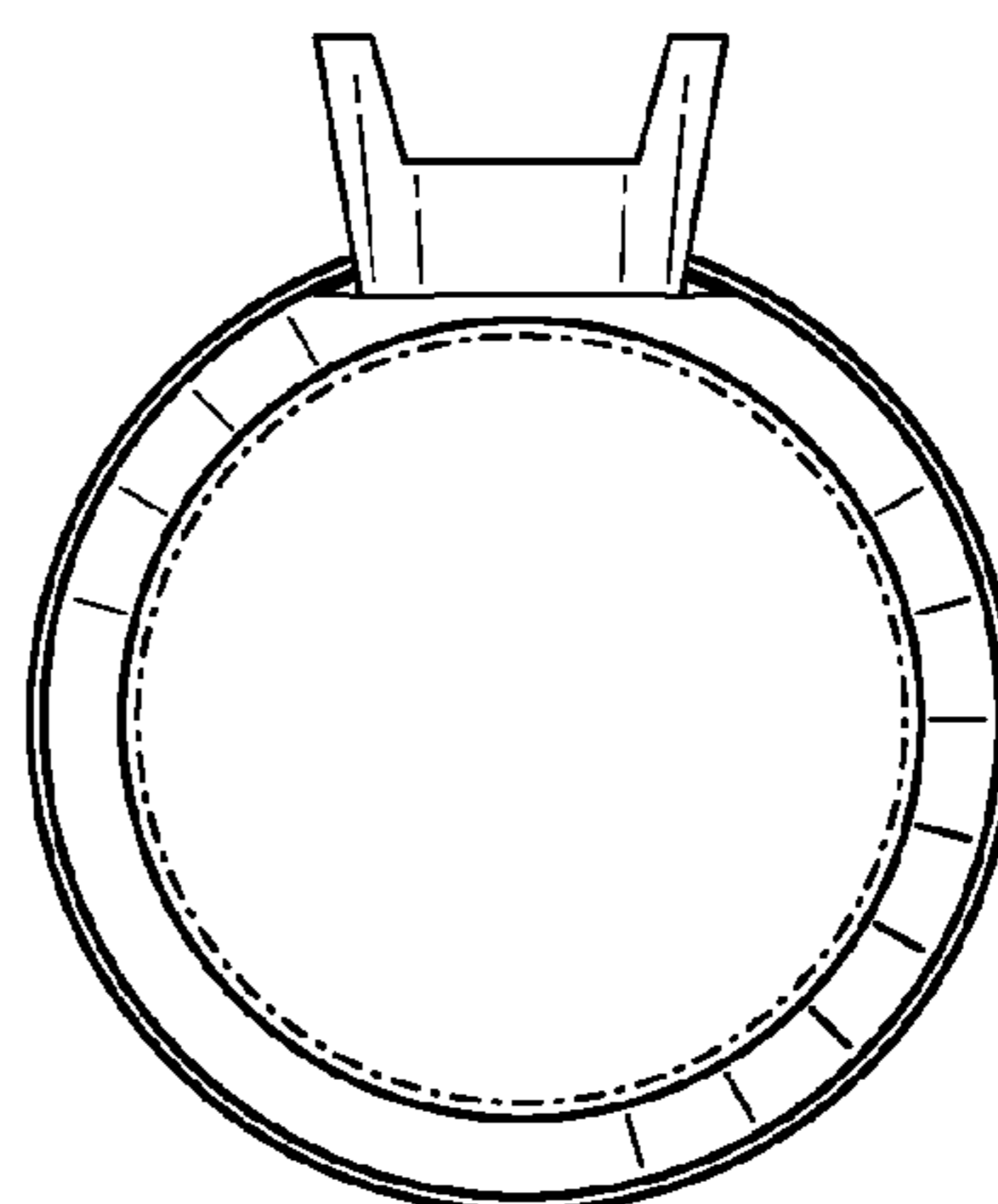


FIG. 5