



US00D713243S

(12) **United States Design Patent**
Hsu

(10) **Patent No.:** **US D713,243 S**

(45) **Date of Patent:** **** Sep. 16, 2014**

(54) **MOUNTING NUT**

(71) Applicant: **Fu-Chuan Hsu**, Taoyuan County (TW)

(72) Inventor: **Fu-Chuan Hsu**, Taoyuan County (TW)

(**) Term: **14 Years**

(21) Appl. No.: **29/484,269**

(22) Filed: **Mar. 7, 2014**

(51) **LOC (10) Cl.** **08-08**

(52) **U.S. Cl.**

USPC **D8/397**

(58) **Field of Classification Search**

USPC D8/397, 394, 382, 399; 439/501;
16/2.1; D13/151, 133; 411/337, 427,
411/436, 303, 280, 302; D23/262

See application file for complete search history.

(56) **References Cited**

U.S. PATENT DOCUMENTS

D22,813 S *	9/1893	Rouse	D8/397
D23,917 S *	12/1894	Lane	D8/397
D30,898 S *	5/1899	Paine	D8/397
D134,789 S *	1/1943	Gade	D8/397

D167,527 S *	8/1952	Neufeld	D23/213
D186,408 S *	10/1959	Schramm	D10/103
D416,192 S *	11/1999	Tu	D8/397
D551,269 S *	9/2007	Burke, III	D15/139
D634,343 S *	3/2011	Burke, III	D15/139
D637,901 S *	5/2011	Hinton et al.	D8/397
D684,455 S *	6/2013	Relyea et al.	D8/397
D691,033 S *	10/2013	Allman	D8/397
D703,521 S *	4/2014	Haynes et al.	D8/397

* cited by examiner

Primary Examiner — Cynthia Underwood

(74) *Attorney, Agent, or Firm* — Muncy, Geissler, Olds & Lowe, P.C.

(57) **CLAIM**

The ornamental design for a mounting nut, as shown.

DESCRIPTION

FIG. 1 is a perspective view of a mounting nut showing my design;

FIG. 2 is a front elevation view thereof;

FIG. 3 is a rear elevation view thereof;

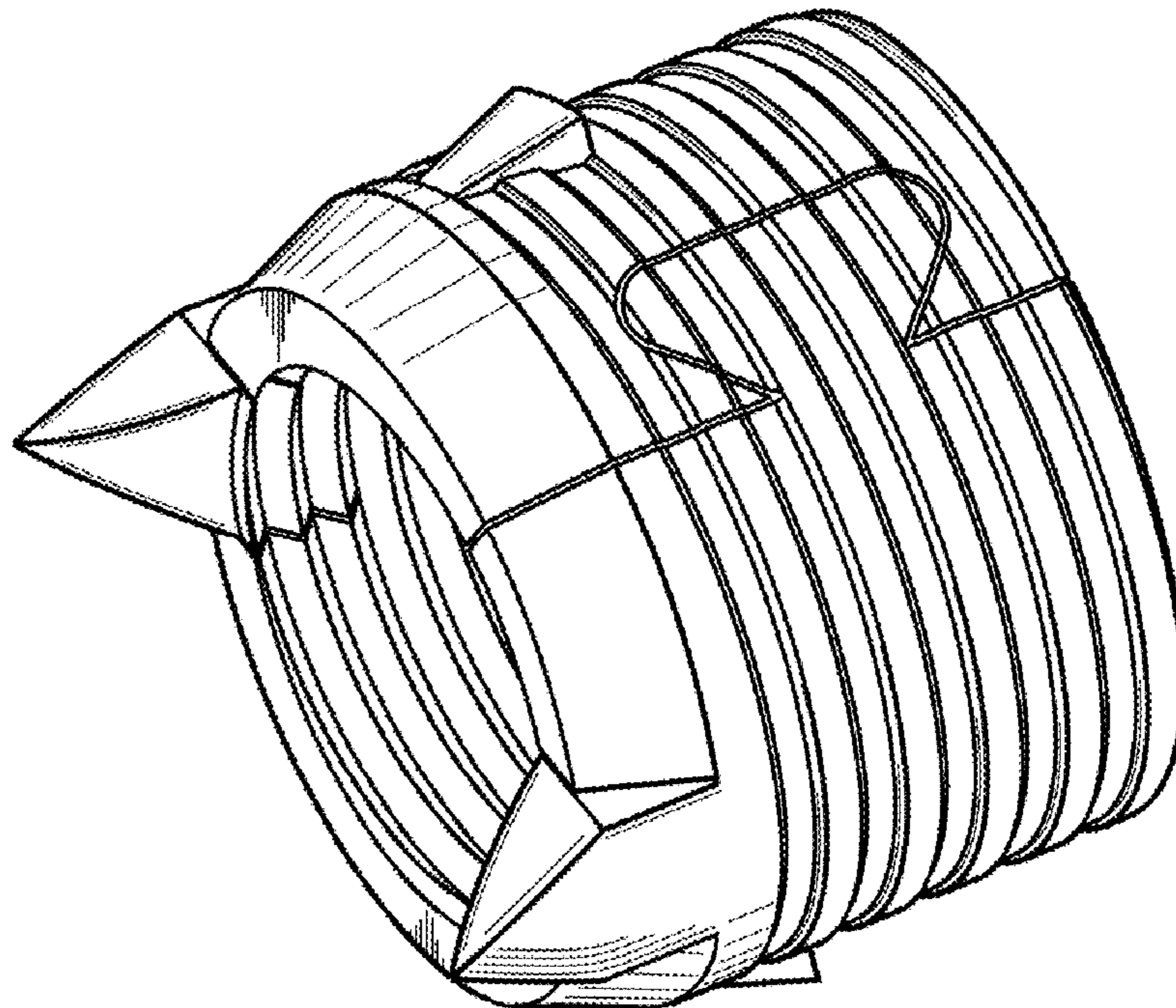
FIG. 4 is a left side elevation view thereof;

FIG. 5 is a right side elevation view thereof;

FIG. 6 is a top plan view thereof; and,

FIG. 7 is a bottom plan view thereof.

1 Claim, 4 Drawing Sheets



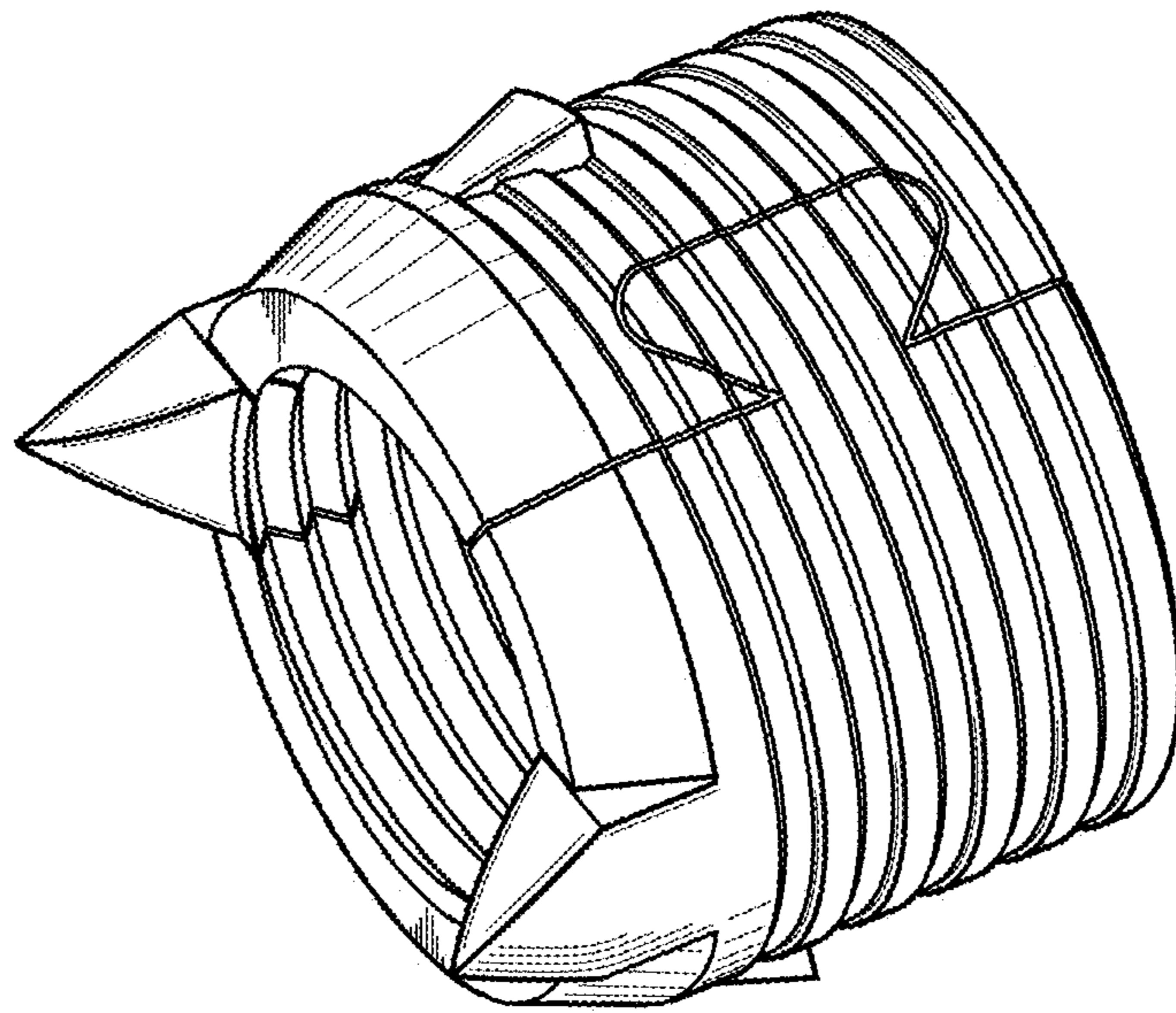


FIG. 1

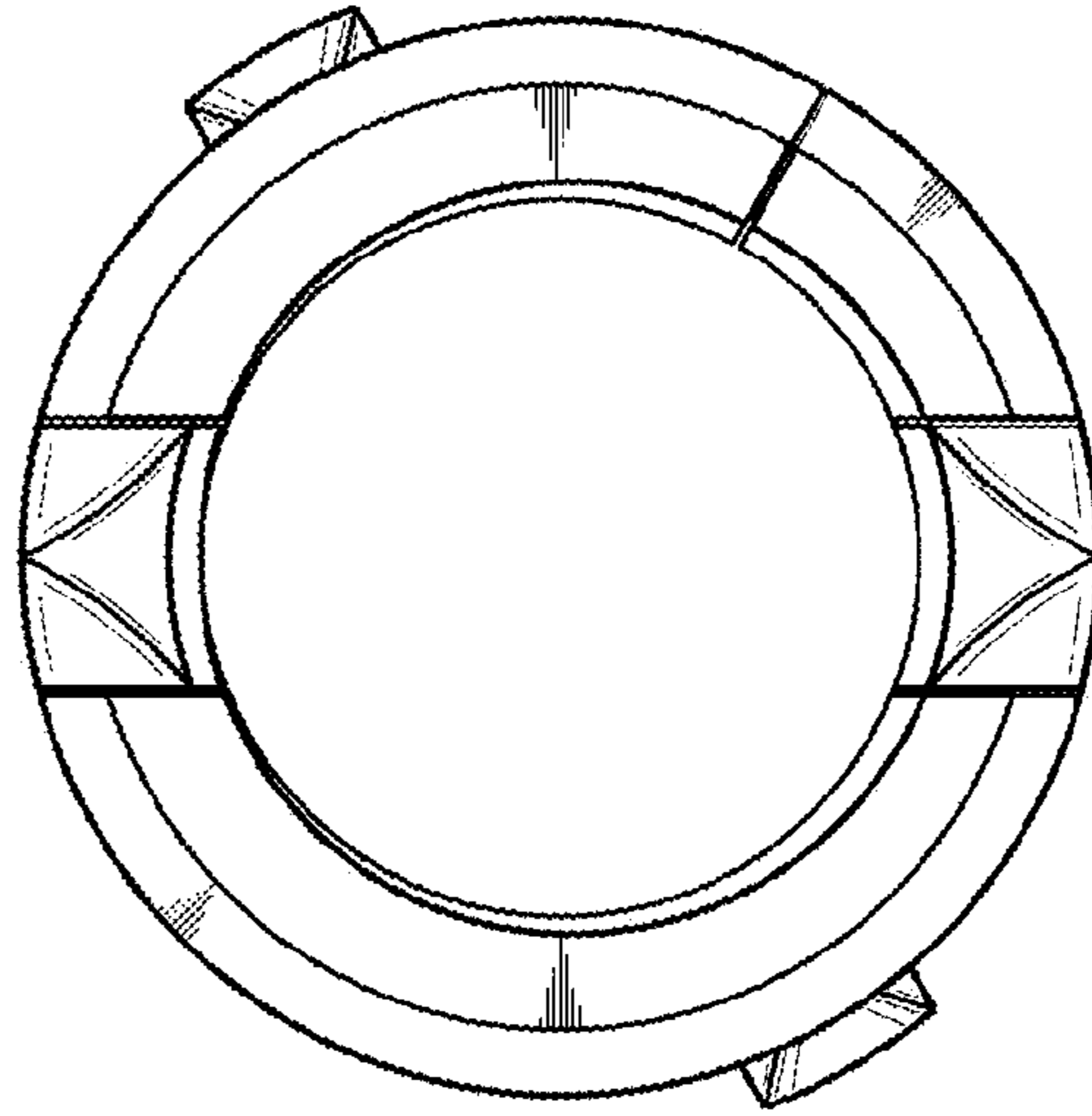


FIG. 2

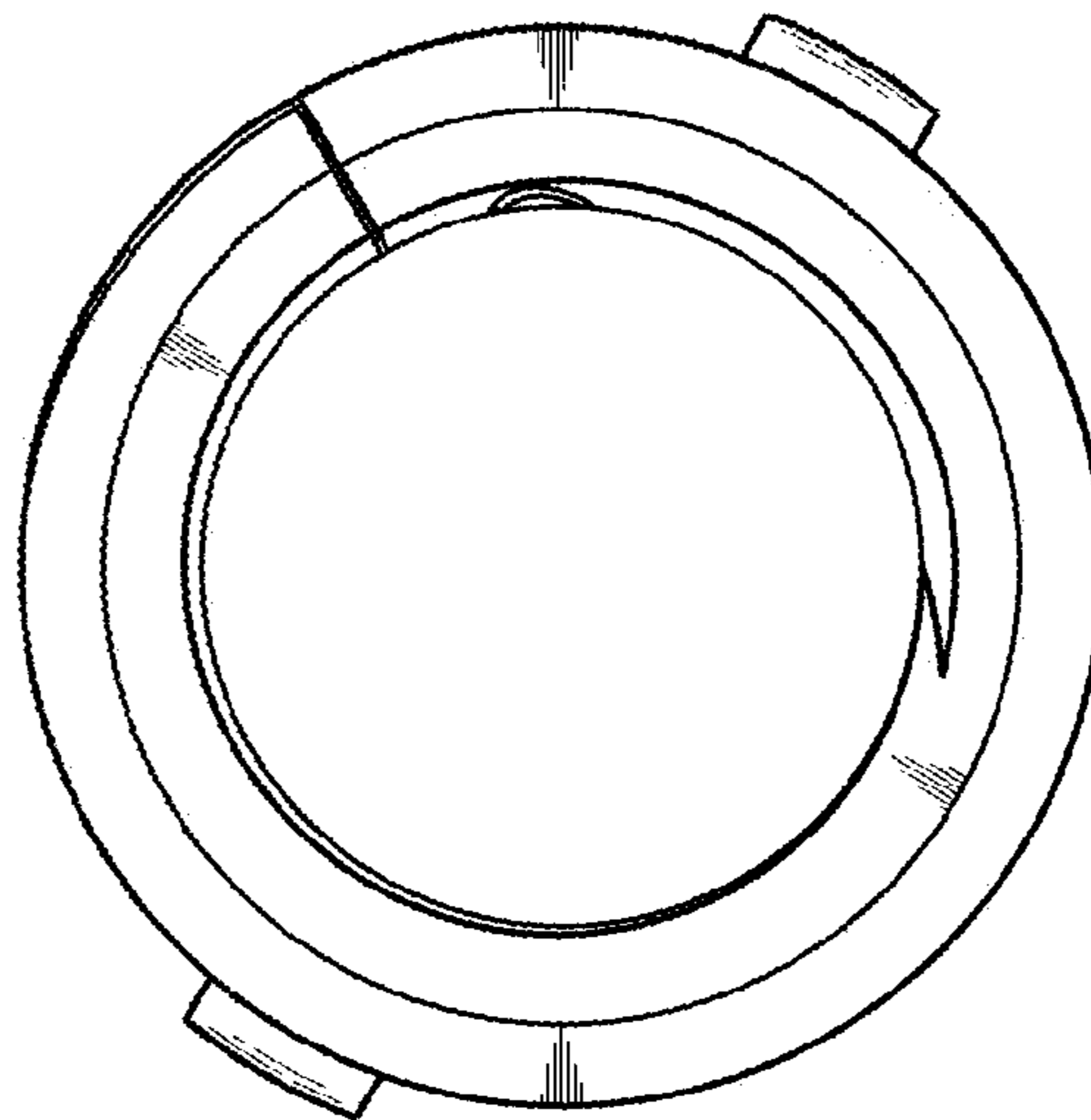


FIG. 3

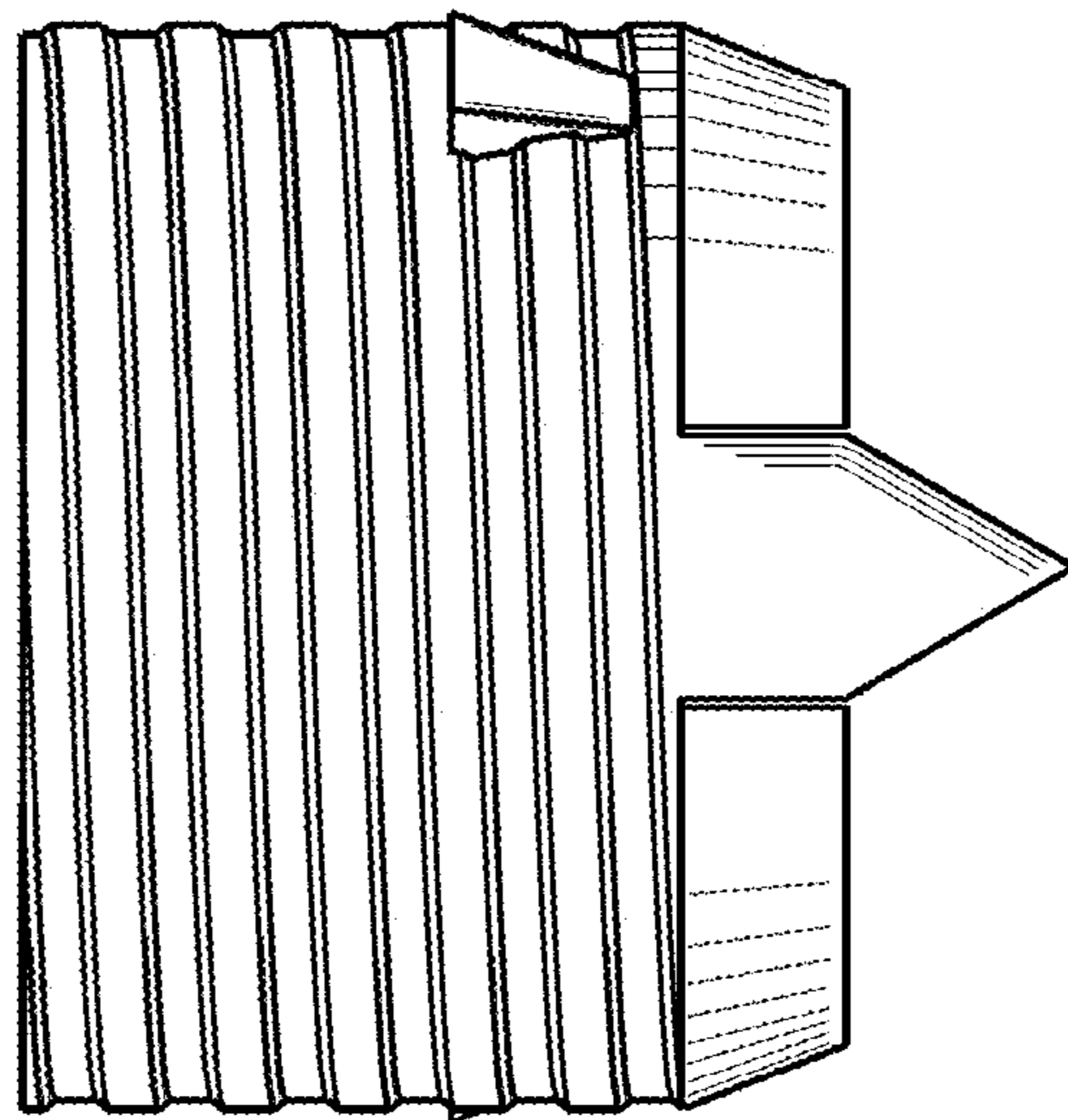


FIG. 4

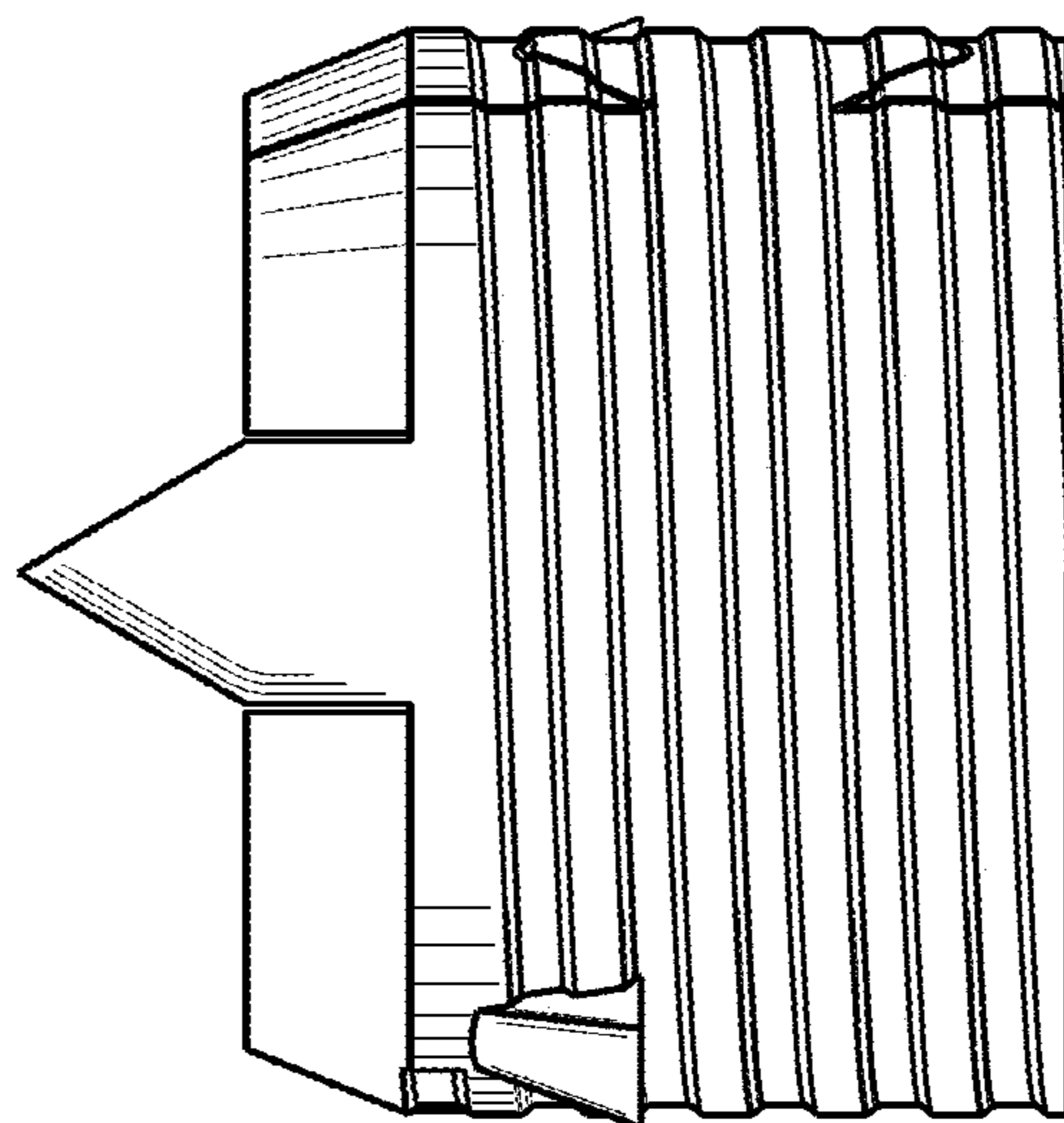


FIG. 5

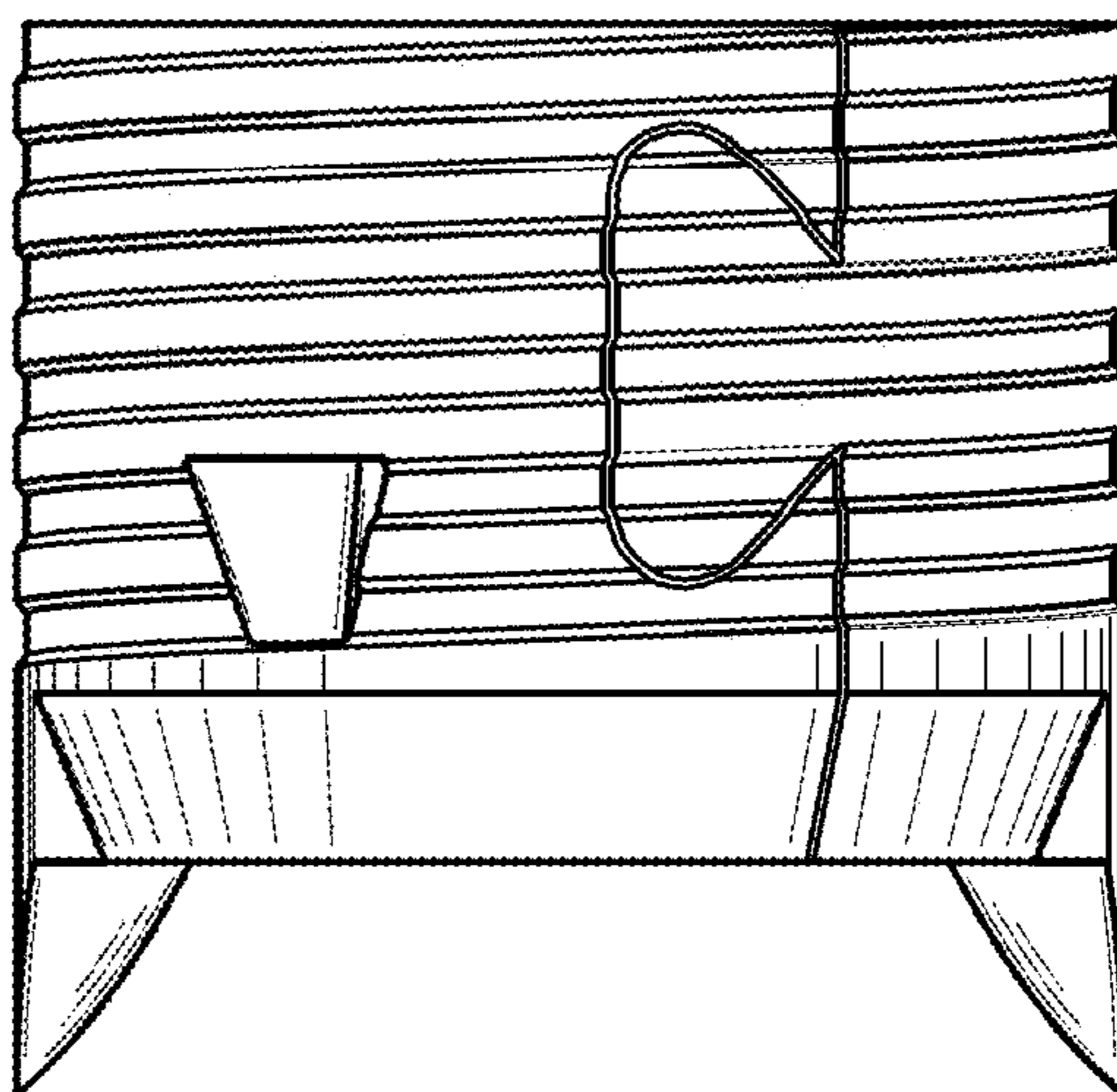


FIG. 6

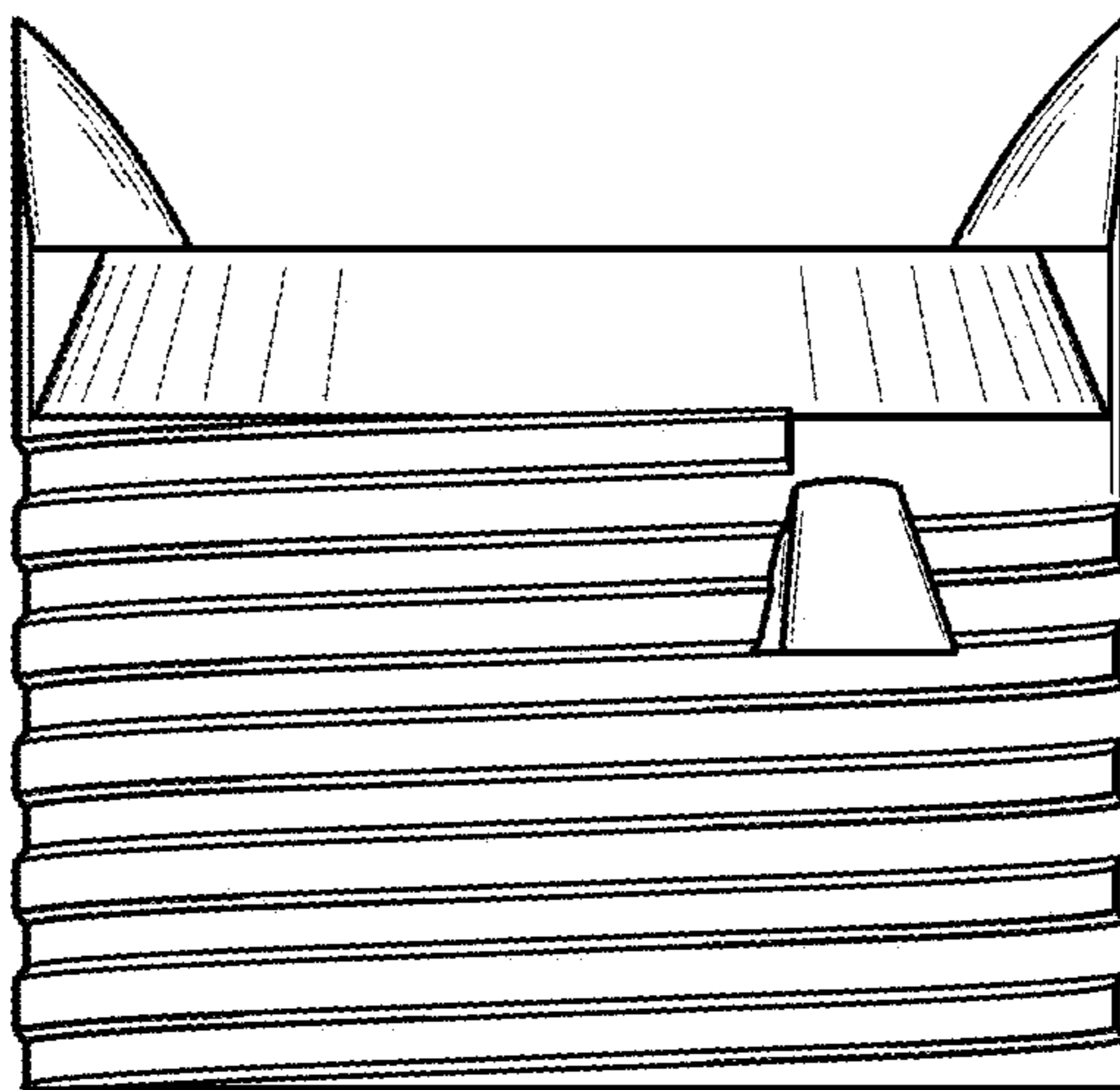


FIG. 7