



US00D713242S

(12) **United States Design Patent**
Magan

(10) **Patent No.:** **US D713,242 S**

(45) **Date of Patent:** **** Sep. 16, 2014**

(54) **FASTENING CLIP**

(76) Inventor: **Arthur Magan, Borris (IE)**

(**) Term: **14 Years**

(21) Appl. No.: **29/407,971**

(22) Filed: **Dec. 6, 2011**

(30) **Foreign Application Priority Data**

Jun. 7, 2011 (EM) 001874116-0001

(51) **LOC (10) Cl.** **08-08**

(52) **U.S. Cl.**
USPC **D8/396**

(58) **Field of Classification Search**
USPC D8/354, 356, 371, 394-396; D19/65,
D19/86; D24/128; 248/74.2, 215, 227.1, 49,
248/300, 301, 316.7, 51, 489; 24/570, 3.12;
D32/61; D11/78.1
See application file for complete search history.

(56) **References Cited**

U.S. PATENT DOCUMENTS

1,571,049 A * 1/1926 Gatchell 220/23.4
2,601,568 A * 6/1952 Sussenbach et al. 383/69
3,141,221 A * 7/1964 Fauls, Jr. 24/30.5 R
D257,070 S * 9/1980 Holmes D99/34
4,986,000 A * 1/1991 Mills 30/278
D375,045 S * 10/1996 Weber et al. D9/443

5,788,302 A * 8/1998 Barrash et al. 294/87.2
D436,036 S * 1/2001 Manseau et al. D9/434
D467,802 S * 12/2002 Amundson D9/443
D474,968 S * 5/2003 Hicks et al. D9/443
D564,352 S * 3/2008 Rice D9/434
D565,405 S * 4/2008 Lenci D9/434
7,503,696 B2 * 3/2009 Ha et al. 383/69
D642,913 S * 8/2011 Osborn et al. D9/435
D657,668 S * 4/2012 Wang D9/434
2003/0188510 A1 * 10/2003 Vargas 53/410
2008/0155790 A1 * 7/2008 Hsu 24/30.5 R

* cited by examiner

Primary Examiner — John Windmuller

(74) *Attorney, Agent, or Firm* — Bourque and Associates,
PA

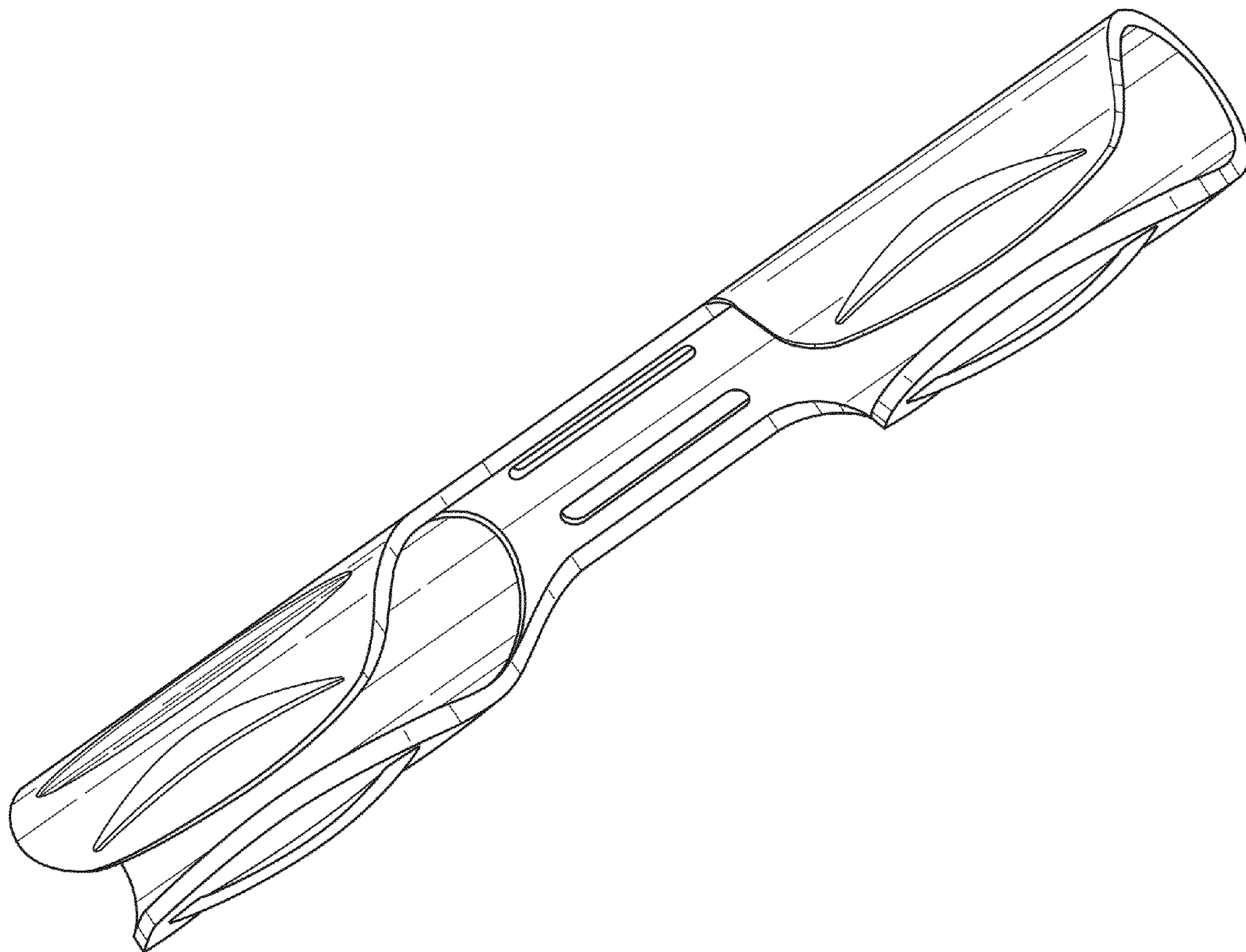
(57) **CLAIM**

The ornamental design for fastening clip, as shown herein.

DESCRIPTION

FIG. 1 is a perspective view of the fastening clip according to the present invention;
FIG. 2 is a left end view of the fastening clip, the end side view being a mirror image thereof;
FIG. 3 is a front view of the fastening clip, the rear view being a mirror image thereof;
FIG. 4 is a top view of the fastening clip; and,
FIG. 5 is a bottom view of the fastening clip according to the present invention.

1 Claim, 2 Drawing Sheets



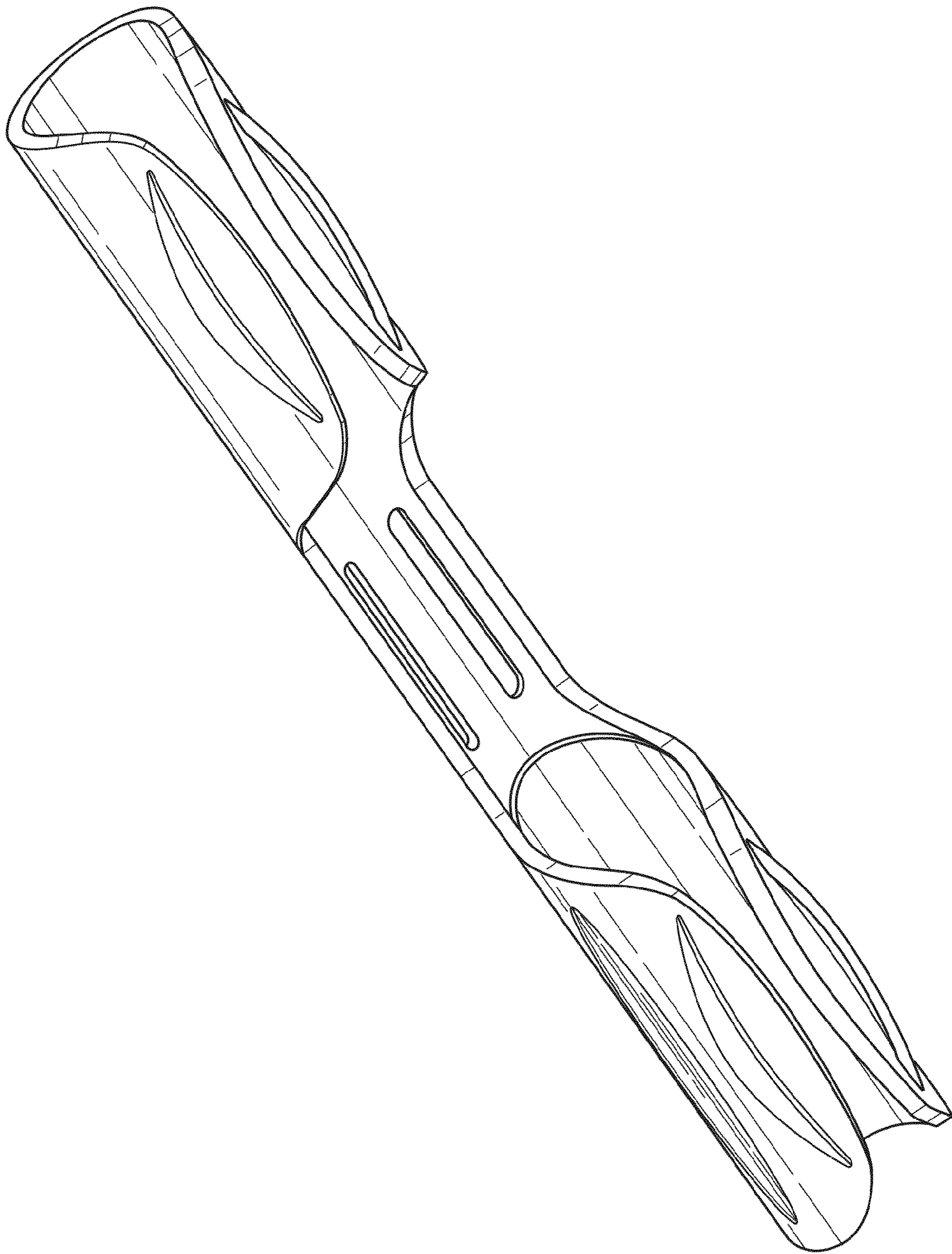


FIG. 1

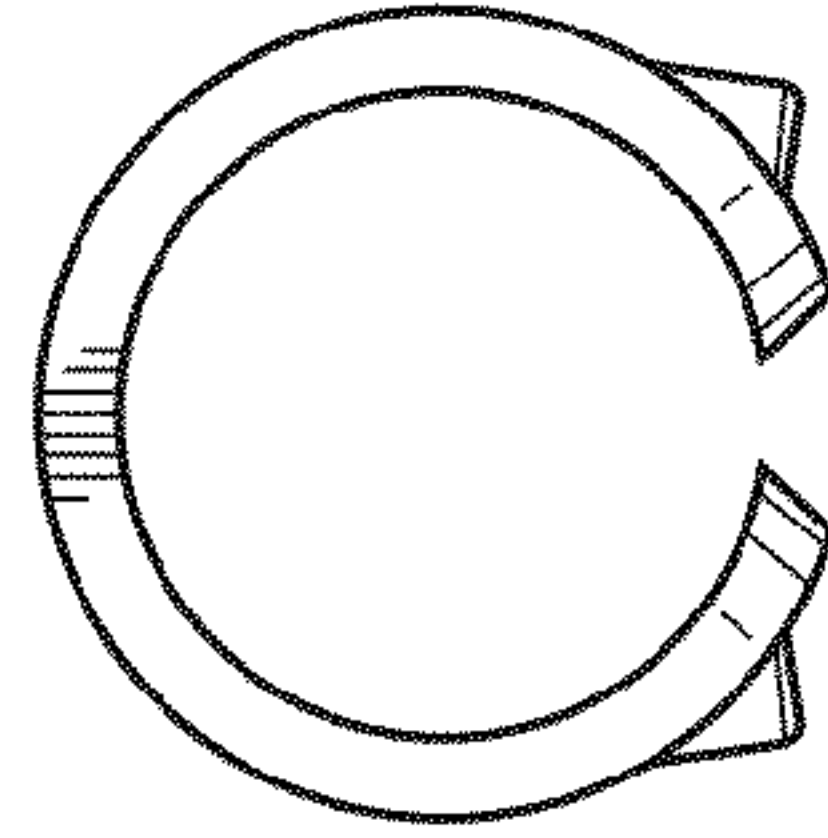


FIG. 2

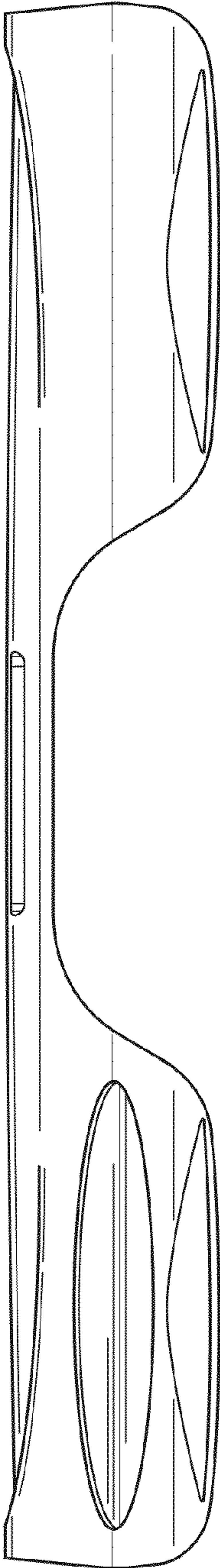


FIG. 3

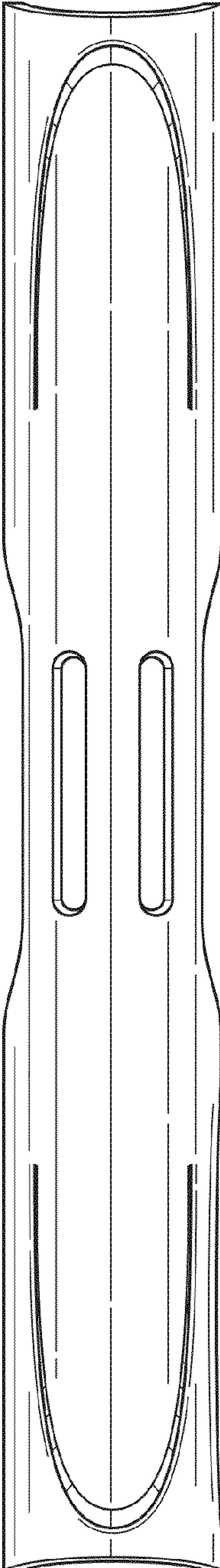


FIG. 4

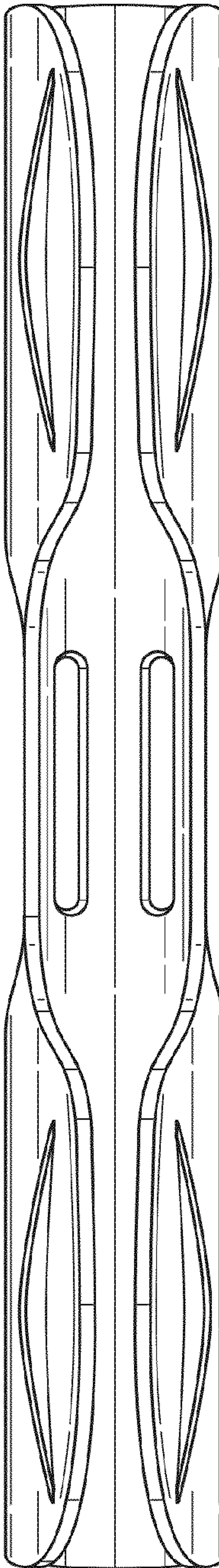


FIG. 5