



US00D713241S

(12) **United States Design Patent**  
**Yajima**

(10) **Patent No.:** **US D713,241 S**

(45) **Date of Patent:** **\*\* Sep. 16, 2014**

(54) **WINDING DRUM**

(71) Applicant: **The Yokohama Rubber Co., Ltd.,**  
Tokyo (JP)

(72) Inventor: **Hiroshi Yajima,** Hiratsuka (JP)

(73) Assignee: **The Yokohama Rubber Co., Ltd. (JP)**

(\*\*) Term: **14 Years**

(21) Appl. No.: **29/452,156**

(22) Filed: **Apr. 12, 2013**

(30) **Foreign Application Priority Data**

Oct. 15, 2012 (JP) ..... 2012-024949

(51) **LOC (10) Cl.** ..... **08-05**

(52) **U.S. Cl.**  
USPC ..... **D8/358**

(58) **Field of Classification Search**  
USPC ..... D8/358, 359; 242/395, 405.3, 118.7,  
242/542.4, 160.4, 366, 370, 400;  
137/355.26, 355.2, 355.27; D14/484;  
D3/24; D15/16, 67; D12/501, 204;  
D22/14, 137; 160/254

See application file for complete search history.

(56) **References Cited**

**U.S. PATENT DOCUMENTS**

904,380 A \* 11/1908 Vader ..... 137/355.26  
1,046,909 A \* 12/1912 Wagner ..... 239/195  
1,971,165 A \* 8/1934 Parker ..... 137/355.26

2,566,867 A \* 9/1951 Allen ..... 242/399.2  
2,631,063 A \* 3/1953 Jensen ..... 137/355.2  
D201,088 S \* 5/1965 Darrickson ..... D8/358  
3,684,178 A \* 8/1972 Friedlander ..... 239/745  
4,186,881 A \* 2/1980 Long ..... 239/198  
4,346,843 A \* 8/1982 Long et al. .... 239/745  
5,215,279 A \* 6/1993 Foit ..... 242/602  
D400,082 S \* 10/1998 Colman ..... D8/358  
2009/0127368 A1 \* 5/2009 Omli ..... 242/370

\* cited by examiner

*Primary Examiner* — Robert M Spear

*Assistant Examiner* — Eliza Bennett-Hattan

(74) *Attorney, Agent, or Firm* — Banner & Witcoff, Ltd.

(57) **CLAIM**

The ornamental design for a winding drum, as shown and described.

**DESCRIPTION**

FIG. 1 is a perspective view of front, left and top of a winding drum showing my new design;

FIG. 2 is a front view thereof, a rear view being a mirror image thereof;

FIG. 3 is a left side view thereof, a right side view being a mirror image thereof;

FIG. 4 is a top view thereof;

FIG. 5 is a bottom view thereof;

FIG. 6 is a cross sectional view at A-A shown in FIG. 4 thereof; and,

FIG. 7 is a front view showing a usage thereof.

The portions of the article in broken lines depicts environmental subject matter only and forms no part of the claimed design.

**1 Claim, 6 Drawing Sheets**

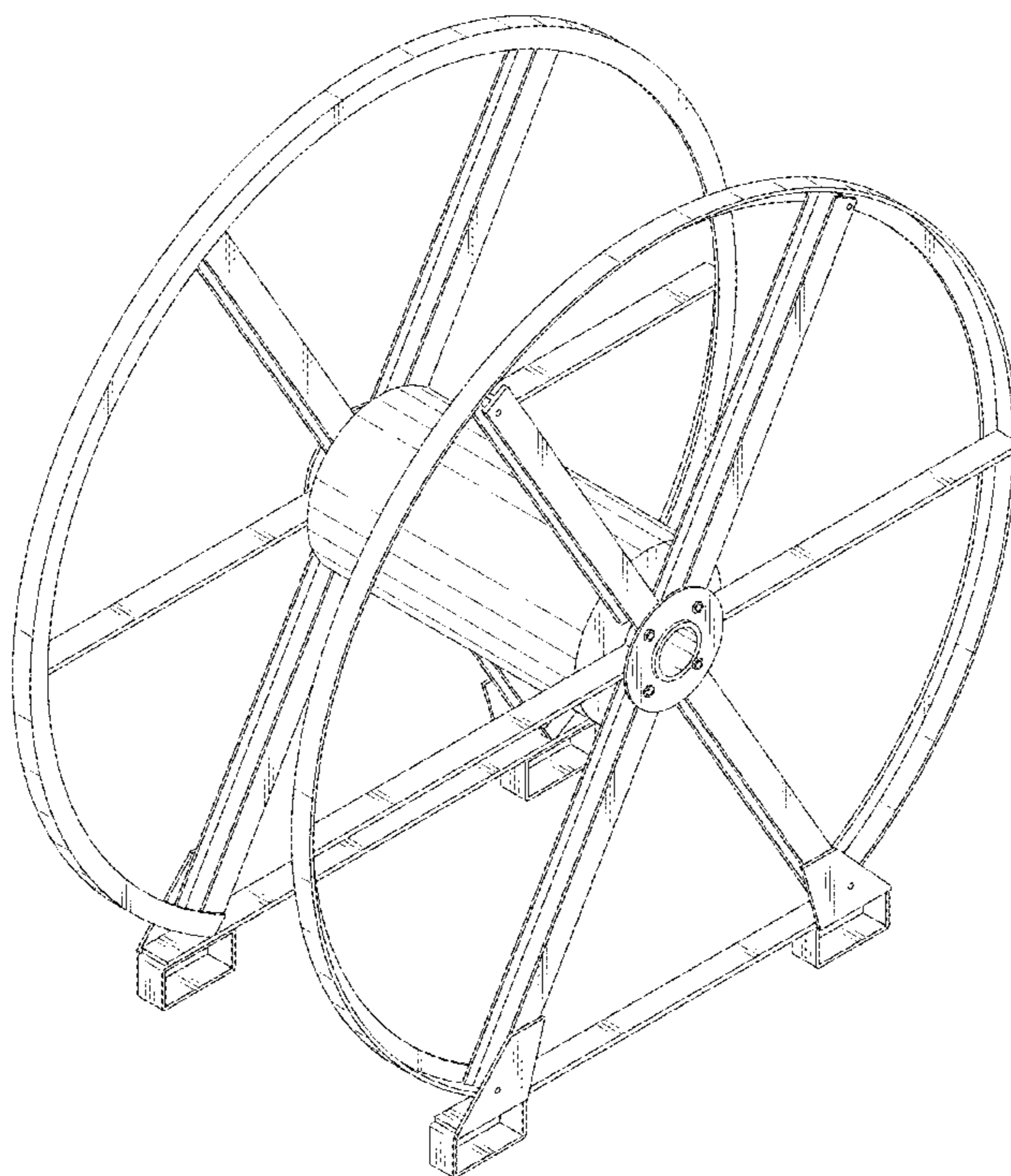


Fig. 1

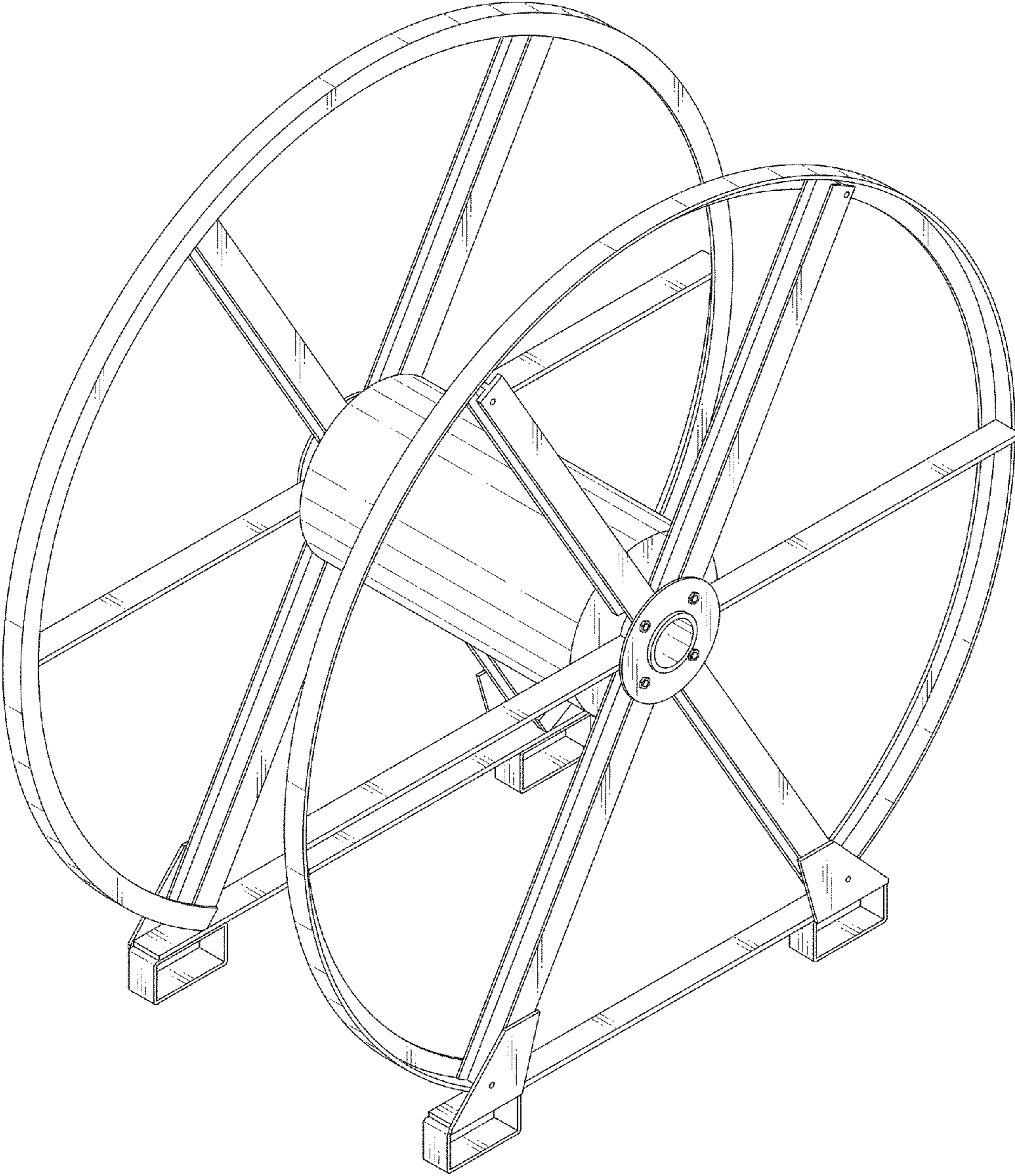


Fig. 2

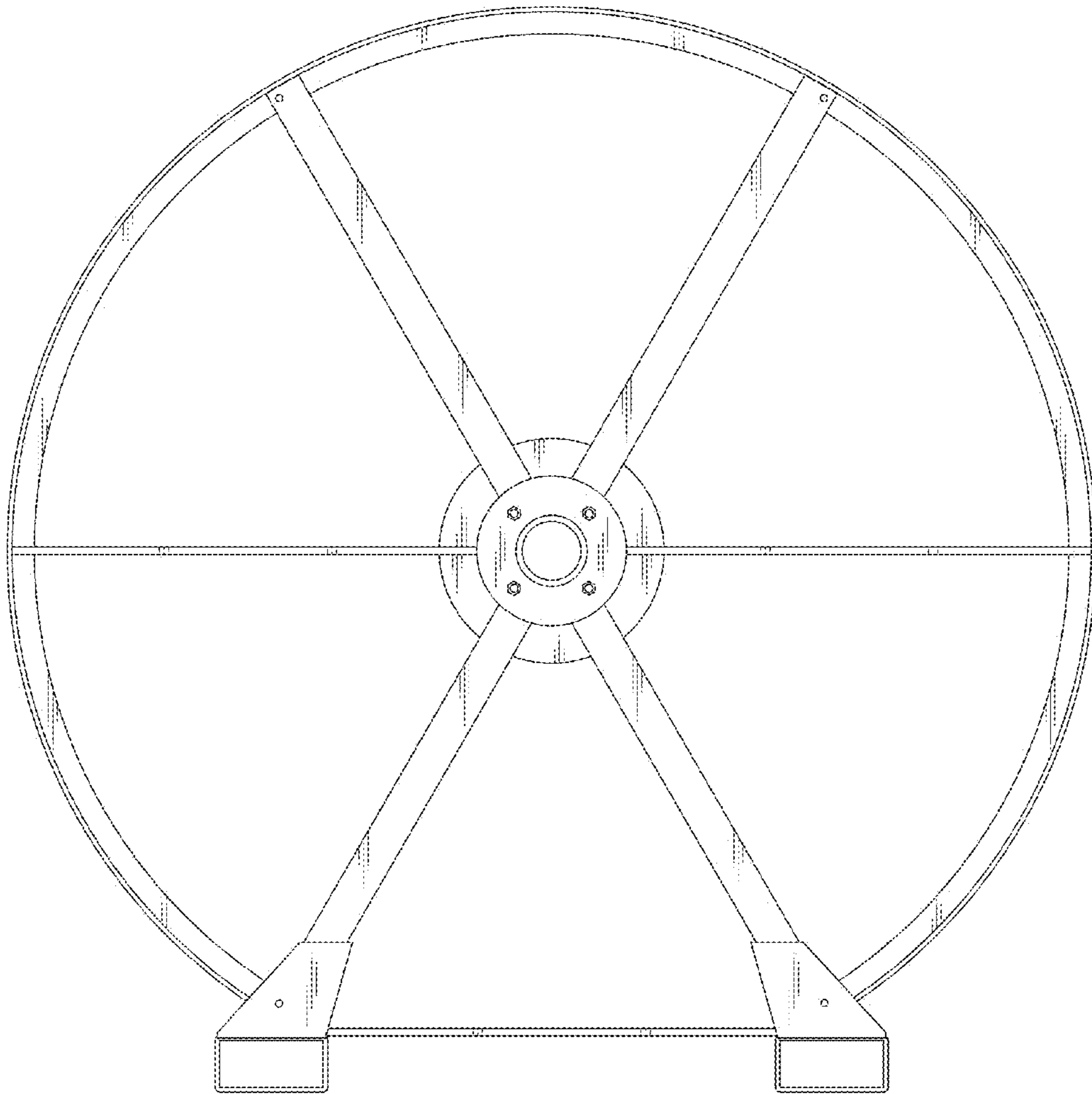


Fig. 3

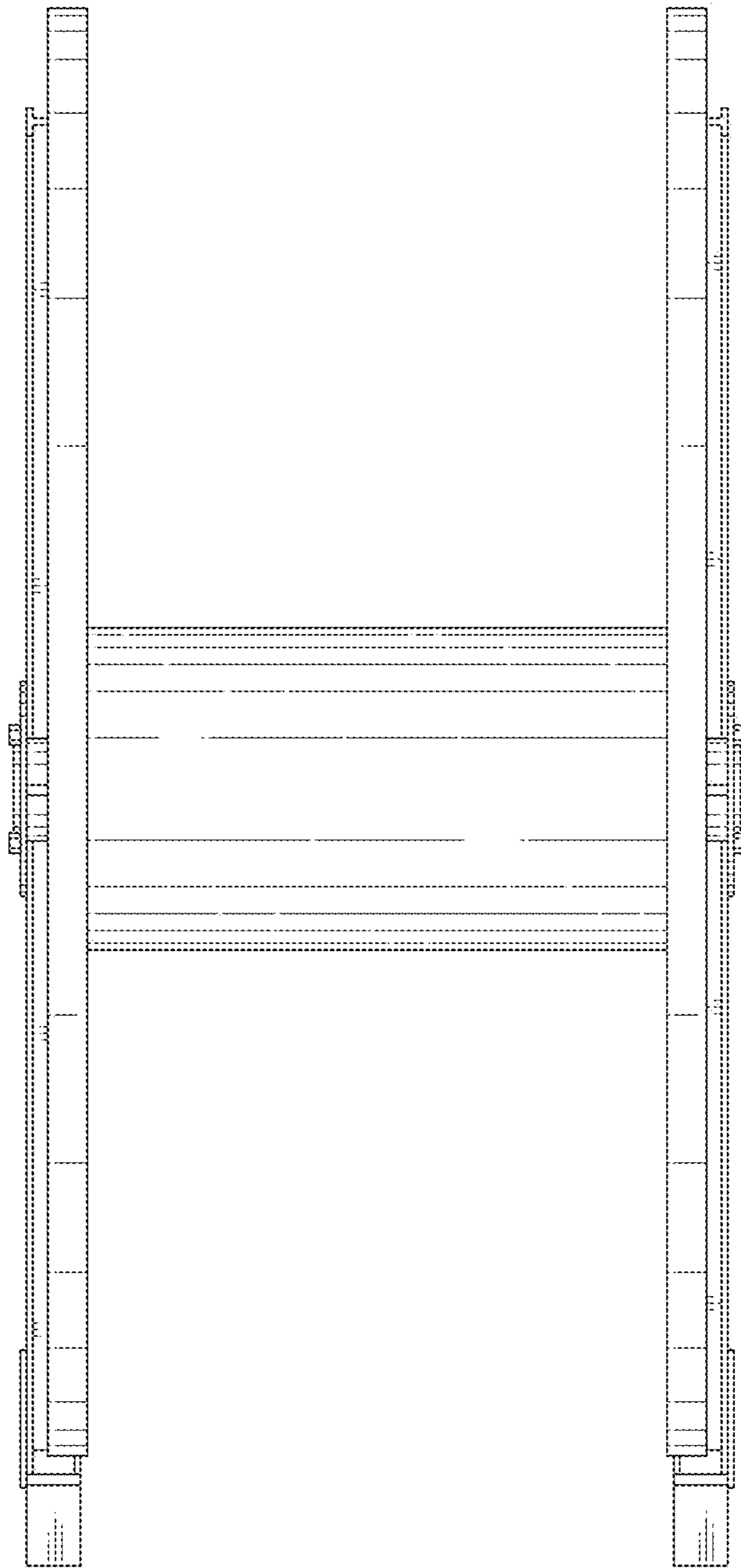


Fig. 4

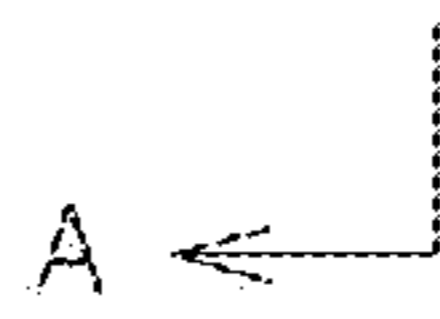
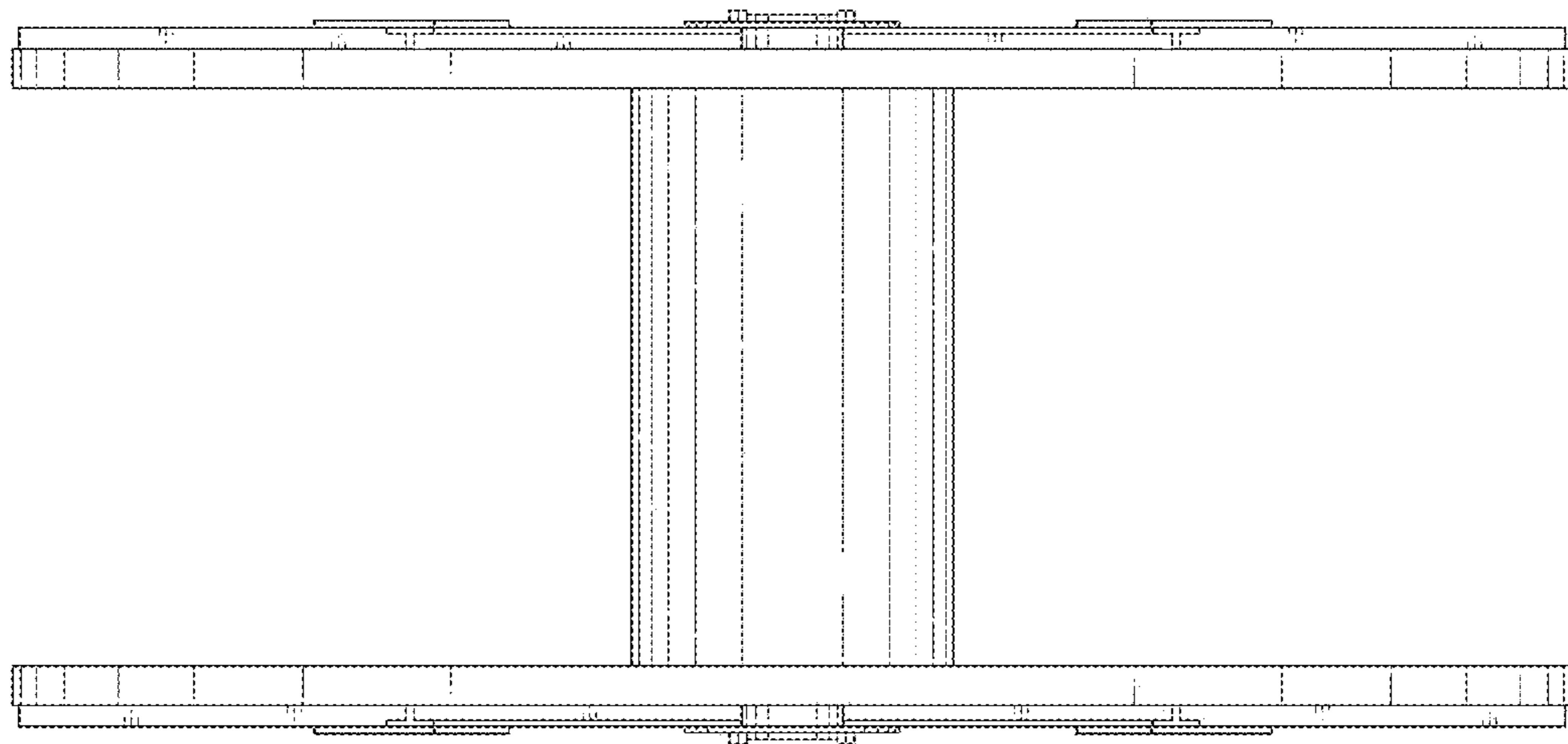
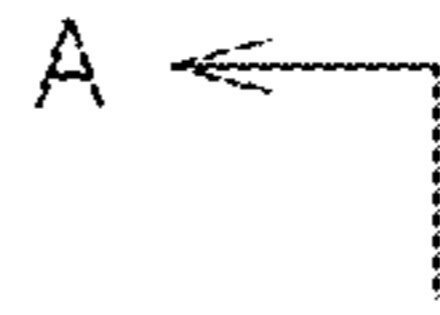


Fig. 5

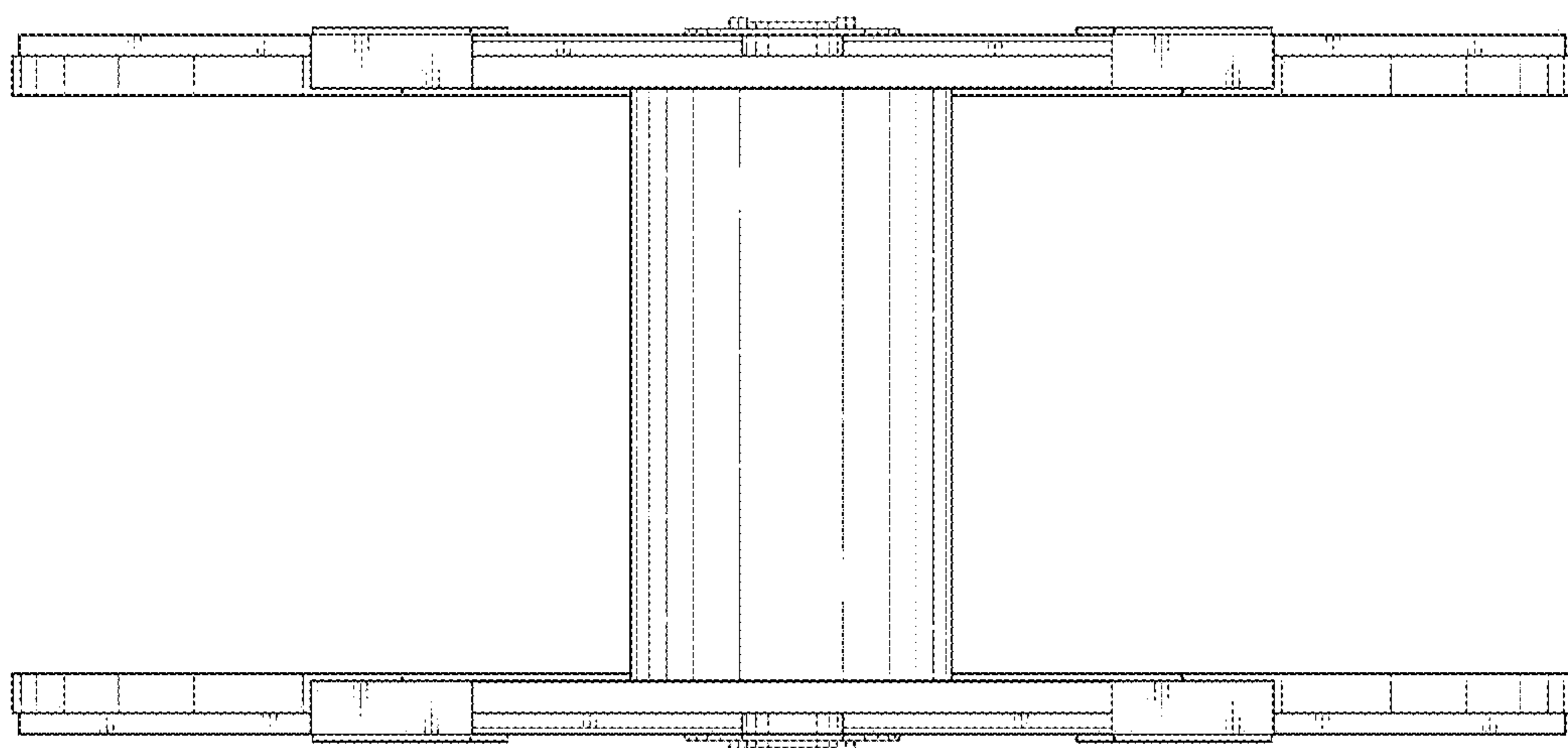


Fig. 6

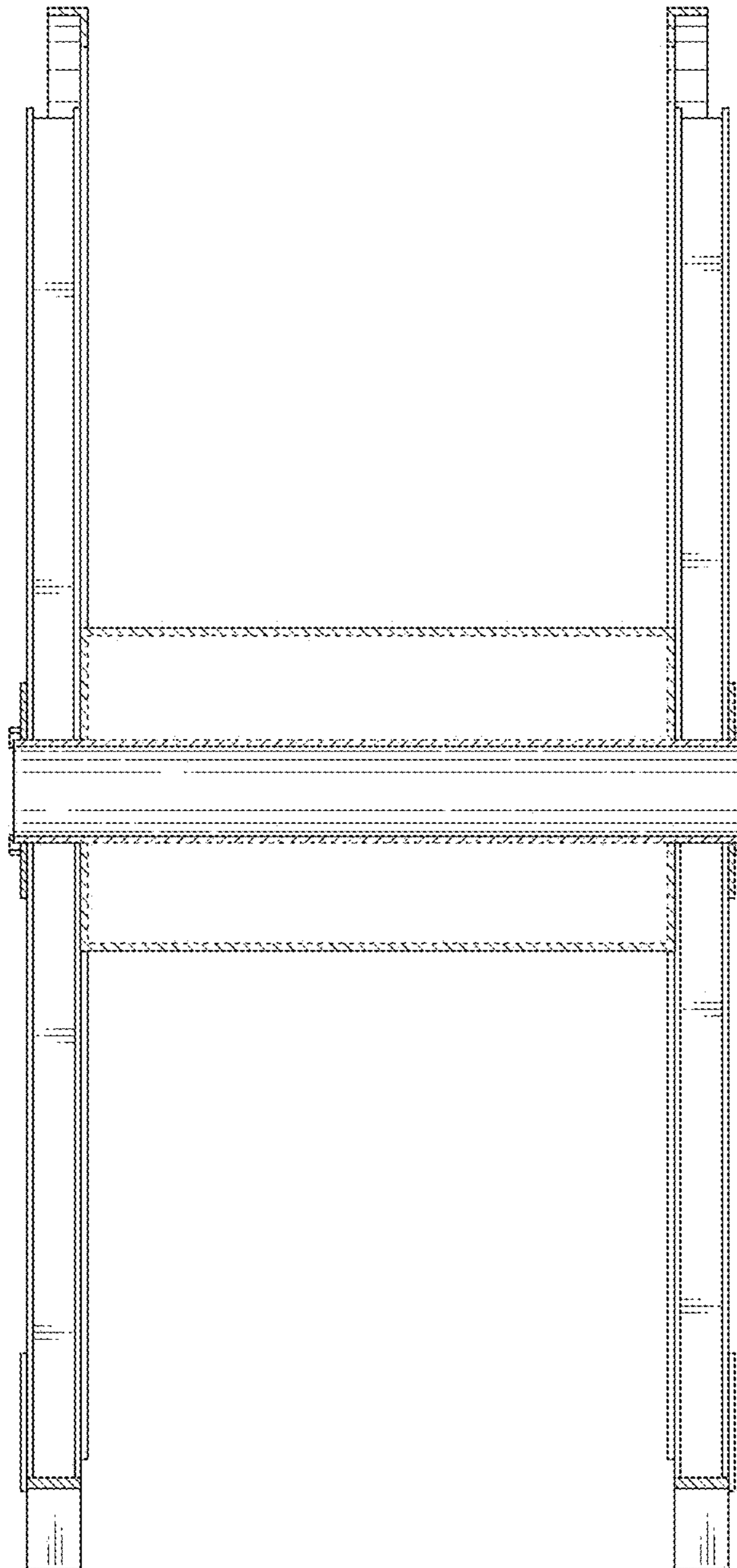


Fig. 7

