



US00D713238S

(12) **United States Design Patent**
Kumada et al.

(10) **Patent No.:** **US D713,238 S**

(45) **Date of Patent:** **** Sep. 16, 2014**

- (54) **KEY**
- (71) Applicant: **Honda Motor Co., Ltd.**, Tokyo (JP)
- (72) Inventors: **Masahiro Kumada**, Wako (JP); **Takashi Shigihara**, Wako (JP)
- (73) Assignee: **Honda Motor Co., Ltd.**, Tokyo (JP)
- (**) Term: **14 Years**
- (21) Appl. No.: **29/462,039**
- (22) Filed: **Jul. 30, 2013**
- (51) **LOC (10) Cl.** **08-07**
- (52) **U.S. Cl.**
USPC **D8/347**
- (58) **Field of Classification Search**
CPC E05B 19/00; E05B 19/20; E05B 13/00;
E05B 11/00
USPC D8/347, 348; 70/51, 336, 344, 348,
70/391, 393, 402, 408, 416.429
See application file for complete search history.

6,386,007	B1 *	5/2002	Johnson et al.	70/408
D459,972	S *	7/2002	Magnusson	D8/347
6,473,022	B1 *	10/2002	Wu	341/176
D515,402	S *	2/2006	Wilhelm	D8/347
D557,110	S *	12/2007	Castegnier	D8/347
7,360,383	B1 *	4/2008	Chang	70/395
D588,438	S *	3/2009	Keller	D8/347
D592,935	S *	5/2009	Mesh et al.	D8/347
D678,038	S *	3/2013	Schindler et al.	D8/347

* cited by examiner

Primary Examiner — Prabhakar Deshmukh

(74) *Attorney, Agent, or Firm* — Birch, Stewart, Kolasch & Birch, LLP

(57) **CLAIM**

The ornamental design for a key, as shown and described.

DESCRIPTION

FIG. 1 is a perspective view from the front side of a key.
 FIG. 2 is a perspective view from the rear side thereof.
 FIG. 3 is a front elevation view thereof. A rear elevation view is identical to the front elevation view.
 FIG. 4 is a left side elevation view thereof. A right side elevation view is identical to the left side elevation view.
 FIG. 5 is a top plan view thereof; and,
 FIG. 6 is a bottom plan view thereof.
 The portion of the key shown in broken lines is for the purpose of showing environmental structure only and forms no part of the claimed design.

1 Claim, 6 Drawing Sheets

- (56) **References Cited**
U.S. PATENT DOCUMENTS
- 3,780,393 A * 12/1973 Gaetke 15/105
- 5,083,662 A * 1/1992 Bishop 206/37.1
- D361,031 S * 8/1995 Marthaler D8/347
- 5,832,761 A * 11/1998 Chen 70/395

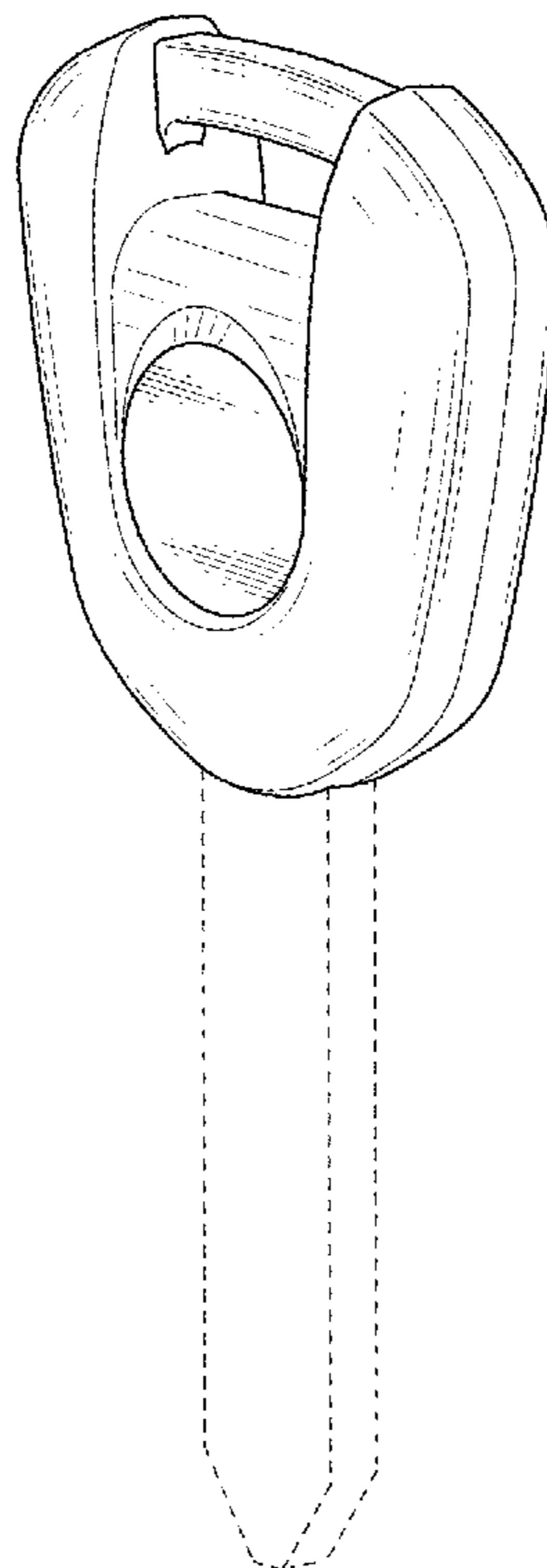


FIG. 1

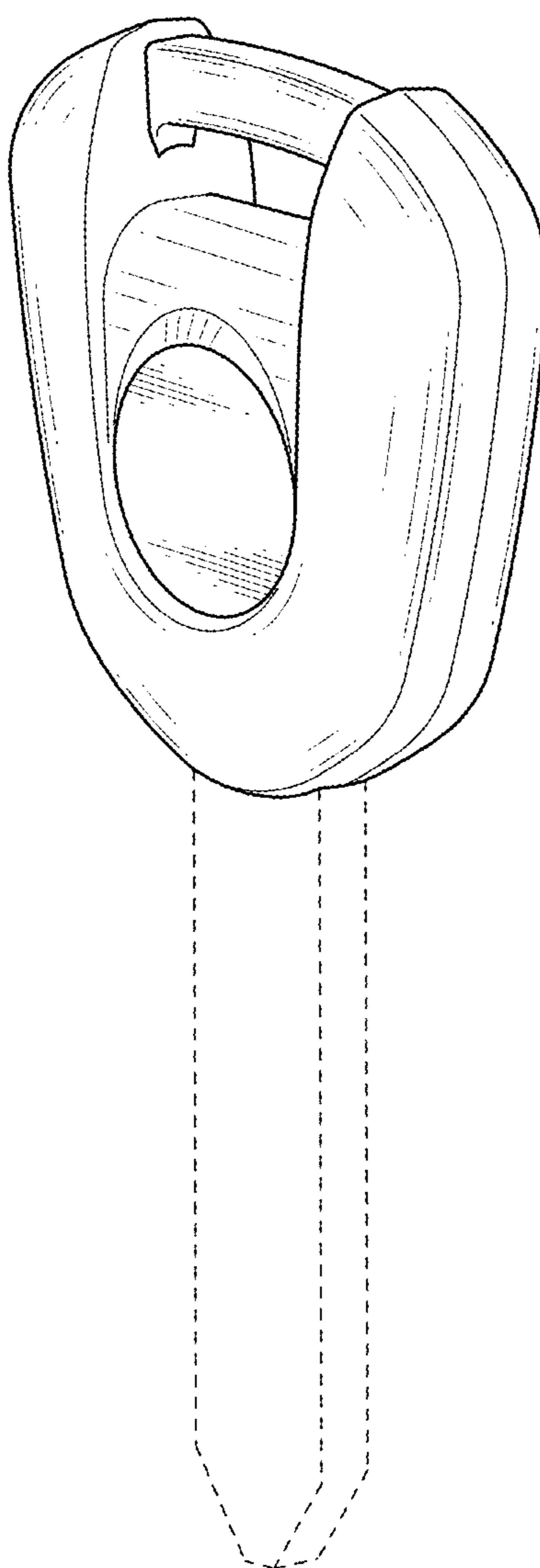


FIG. 2

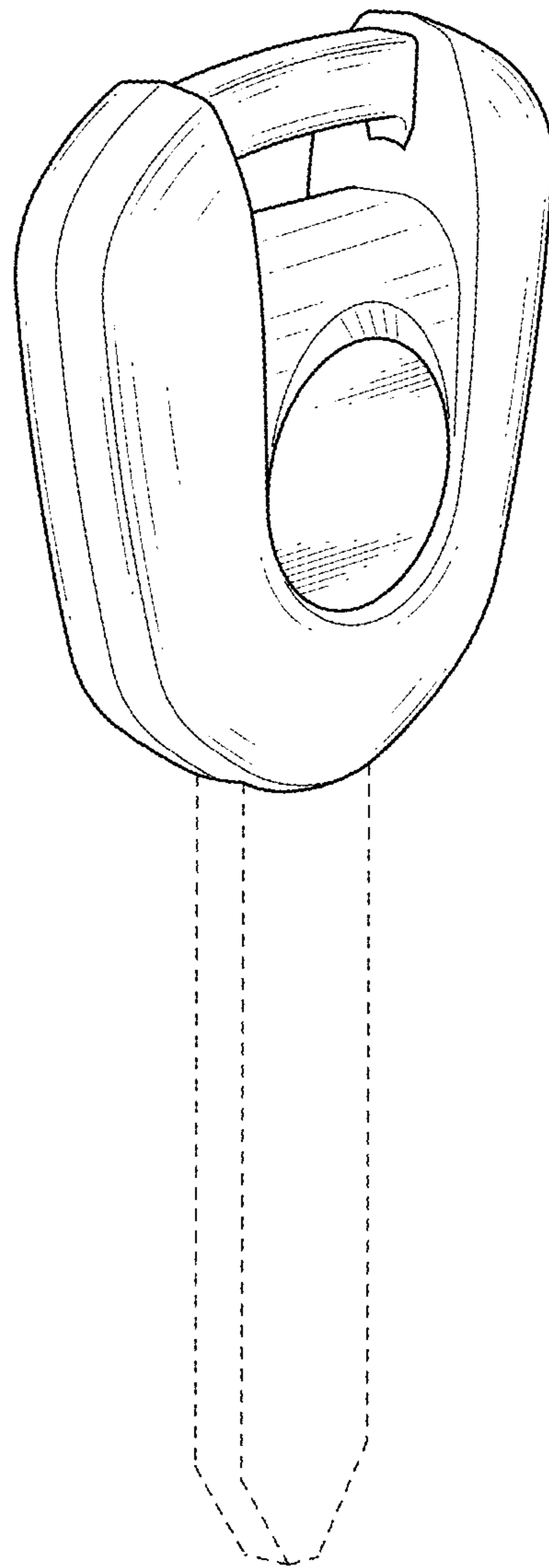


FIG. 3

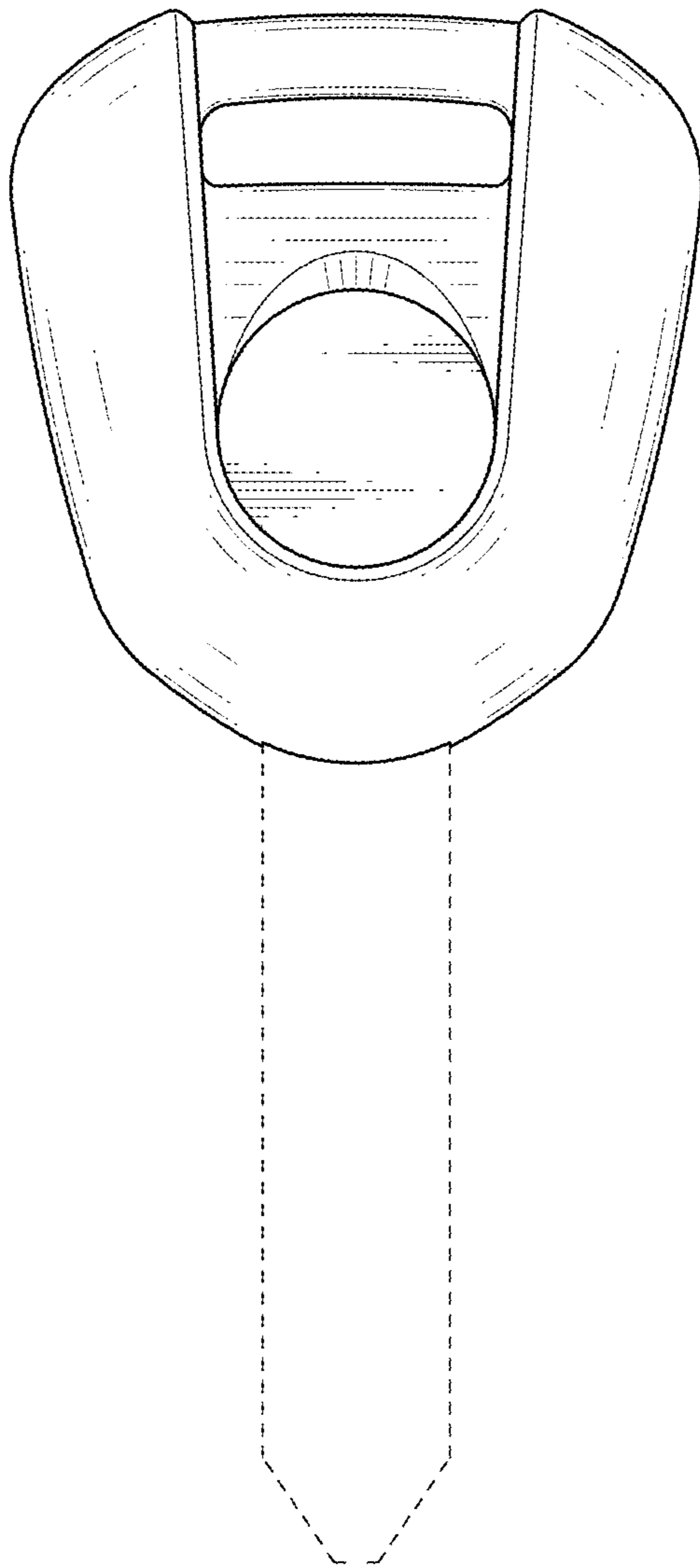


FIG. 4

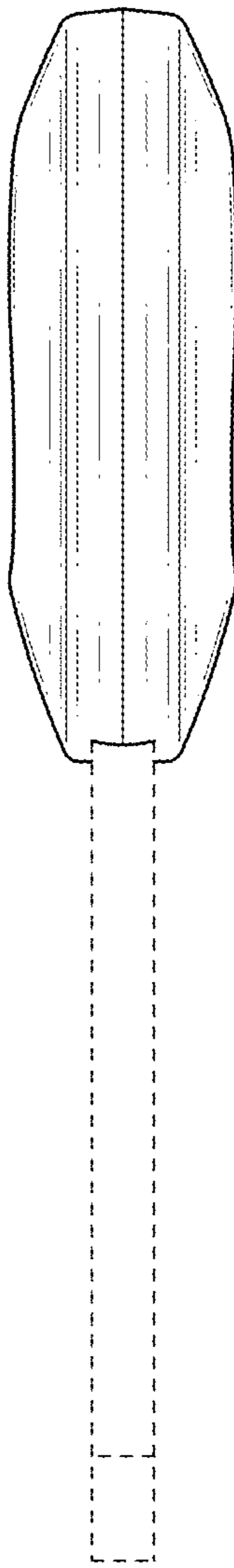


FIG. 5

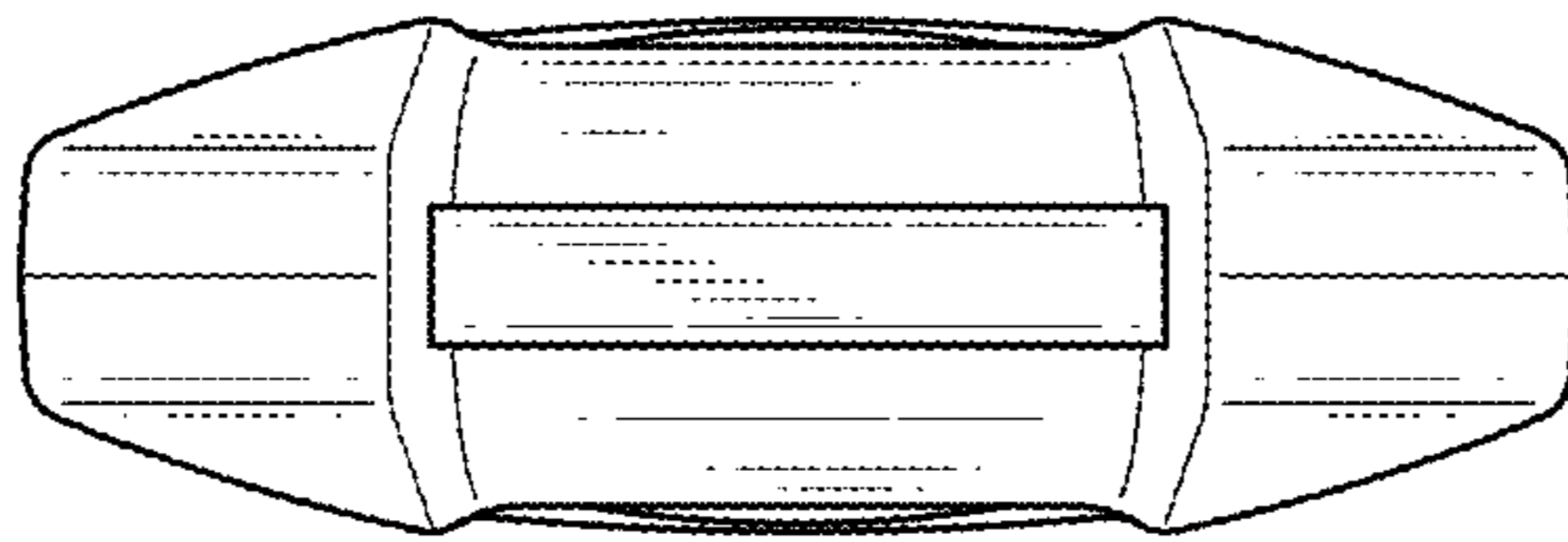


FIG. 6

