



US00D713236S

(12) **United States Design Patent**  
**Park**

(10) **Patent No.:** **US D713,236 S**

(45) **Date of Patent:** **\*\* \*Sep. 16, 2014**

(54) **DIAL KNOB FOR WASHING MACHINE**

(75) Inventor: **Sung Soo Park**, Seoul (KR)

(73) Assignee: **Samsung Electronics Co., Ltd.**,  
Gyeonggi-do (KR)

(\*) Notice: This patent is subject to a terminal disclaimer.

(\*\*) Term: **14 Years**

(21) Appl. No.: **29/412,068**

(22) Filed: **Jan. 30, 2012**

(51) **LOC (10) Cl.** ..... **08-06**

(52) **U.S. Cl.**  
USPC ..... **D8/310**

(58) **Field of Classification Search**  
USPC ..... D32/1, 5, 6, 26, 28; D8/300–303,  
D8/305–312, 321; D7/393, 402, 405–406;  
116/309, 311–312, 315, 319–320;  
200/316, 336; 16/110 R, 114 R, 118,  
16/121, 414, 441; 74/553, 548, 558.5

See application file for complete search history.

(56) **References Cited**

**U.S. PATENT DOCUMENTS**

817,993	A *	4/1906	Reuter	.....	16/441
2,199,018	A *	4/1940	Bahr	.....	16/441
D173,850	S *	1/1955	Ohno	.....	D8/310
D179,458	S *	12/1956	Ohno	.....	D8/310
D180,818	S *	8/1957	Clayton	.....	D8/310
D184,630	S *	3/1959	Combs	.....	D8/310
D199,924	S *	12/1964	Schlage	.....	D8/310
D225,394	S *	12/1972	Giandomenico	.....	D8/310
D226,894	S *	5/1973	Tegner	.....	D8/310
D326,219	S *	5/1992	Clayton	.....	D8/310
5,450,653	A *	9/1995	Howie, Jr.	.....	16/441
5,669,104	A *	9/1997	Howie, Jr.	.....	16/441
D401,834	S *	12/1998	Burns et al.	.....	D8/310
6,242,064	B1 *	6/2001	Howie, Jr.	.....	428/35.7

D493,686	S *	8/2004	Fields	.....	D8/310
D526,882	S *	8/2006	Veltz	.....	D8/307
D527,611	S *	9/2006	Sato	.....	D8/310
D541,492	S *	4/2007	Nam	.....	D32/6
D565,385	S *	4/2008	Jou	.....	D8/307
D567,624	S *	4/2008	Ricereto	.....	D8/307
D569,220	S *	5/2008	McConnell	.....	D8/310
D592,484	S *	5/2009	Ricereto	.....	D8/310
D625,890	S *	10/2010	Lee et al.	.....	D32/6
D679,171	S *	4/2013	Sedwick	.....	D8/352
D679,982	S *	4/2013	Ramsland et al.	.....	D8/312
D691,454	S *	10/2013	Weathersby et al.	.....	D8/310
D691,455	S *	10/2013	Weathersby et al.	.....	D8/310
2010/0139046	A1 *	6/2010	Daniels et al.	.....	16/414

\* cited by examiner

*Primary Examiner* — T. Chase Nelson

*Assistant Examiner* — Kathleen M Sims

(74) *Attorney, Agent, or Firm* — Harness, Dickey & Pierce, P.L.C.

(57) **CLAIM**

I claim the ornamental design for a dial knob for washing machine, as shown.

**DESCRIPTION**

FIG. 1 is a front/right-side/top perspective view of a dial knob for washing machine showing my new design;

FIG. 2 is a front elevational view thereof;

FIG. 3 is a rear elevational view thereof;

FIG. 4 is a left-side elevational view thereof;

FIG. 5 is a right-side elevational view thereof;

FIG. 6 is a top plan view thereof;

FIG. 7 is a bottom plan view thereof; and,

FIG. 8 is a perspective view thereof in the environment of a washing machine.

The broken line showing of knob details in FIG. 7 and a washing machine in FIG. 8 is included for the purpose of showing environmental portions of the dial knob for washing machine and forms no part of the claimed design.

**1 Claim, 8 Drawing Sheets**

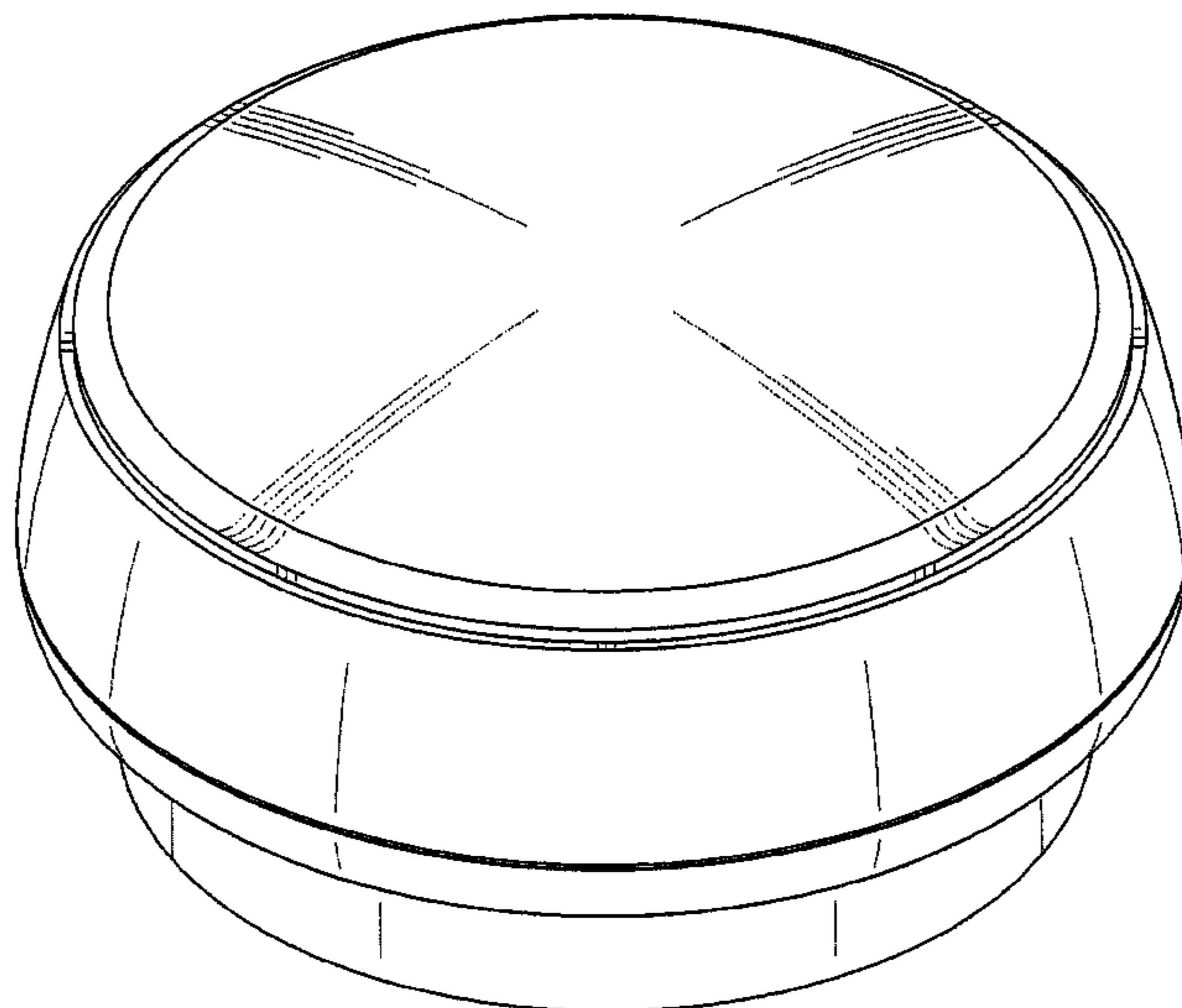


FIG. 1

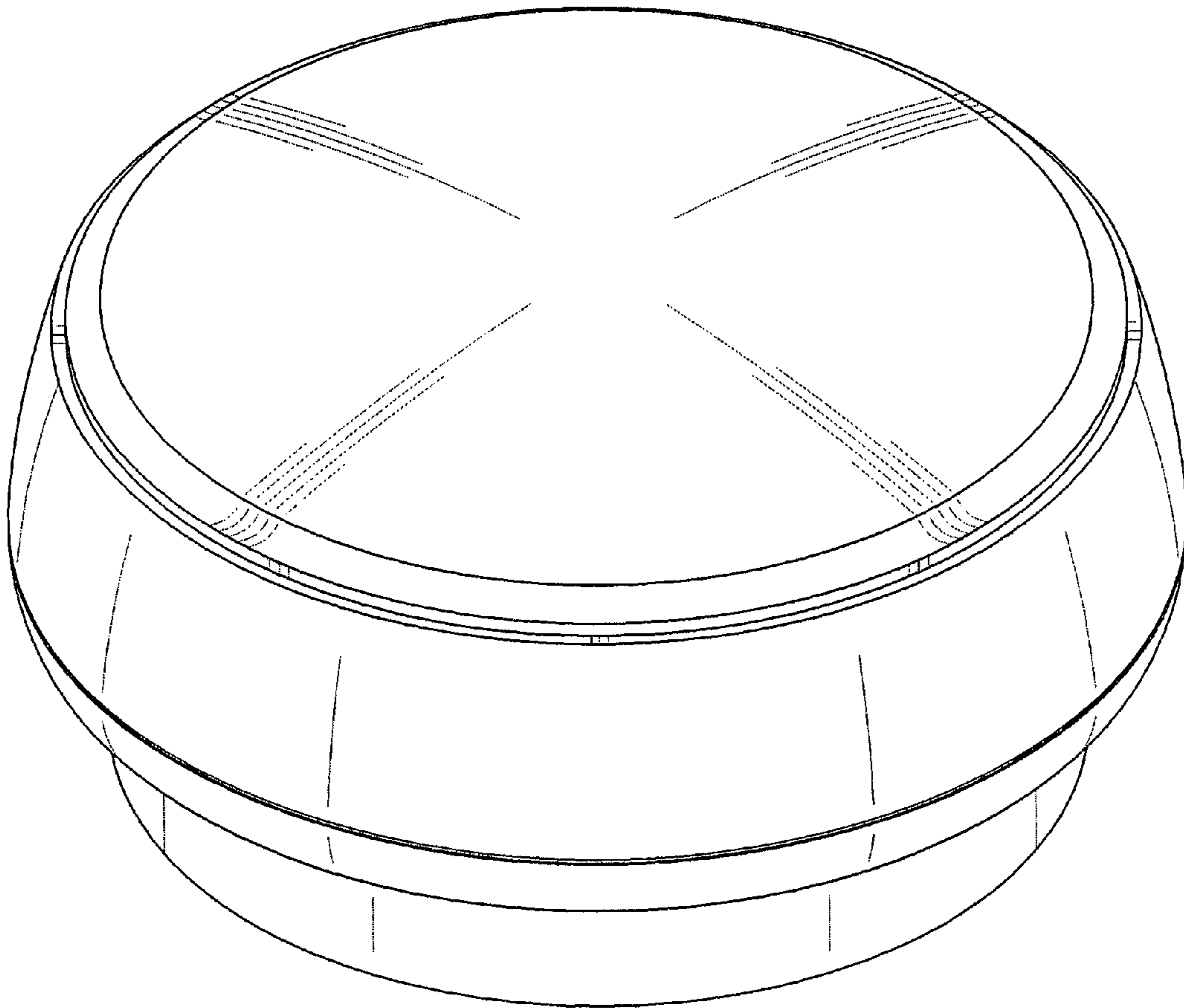


FIG.2

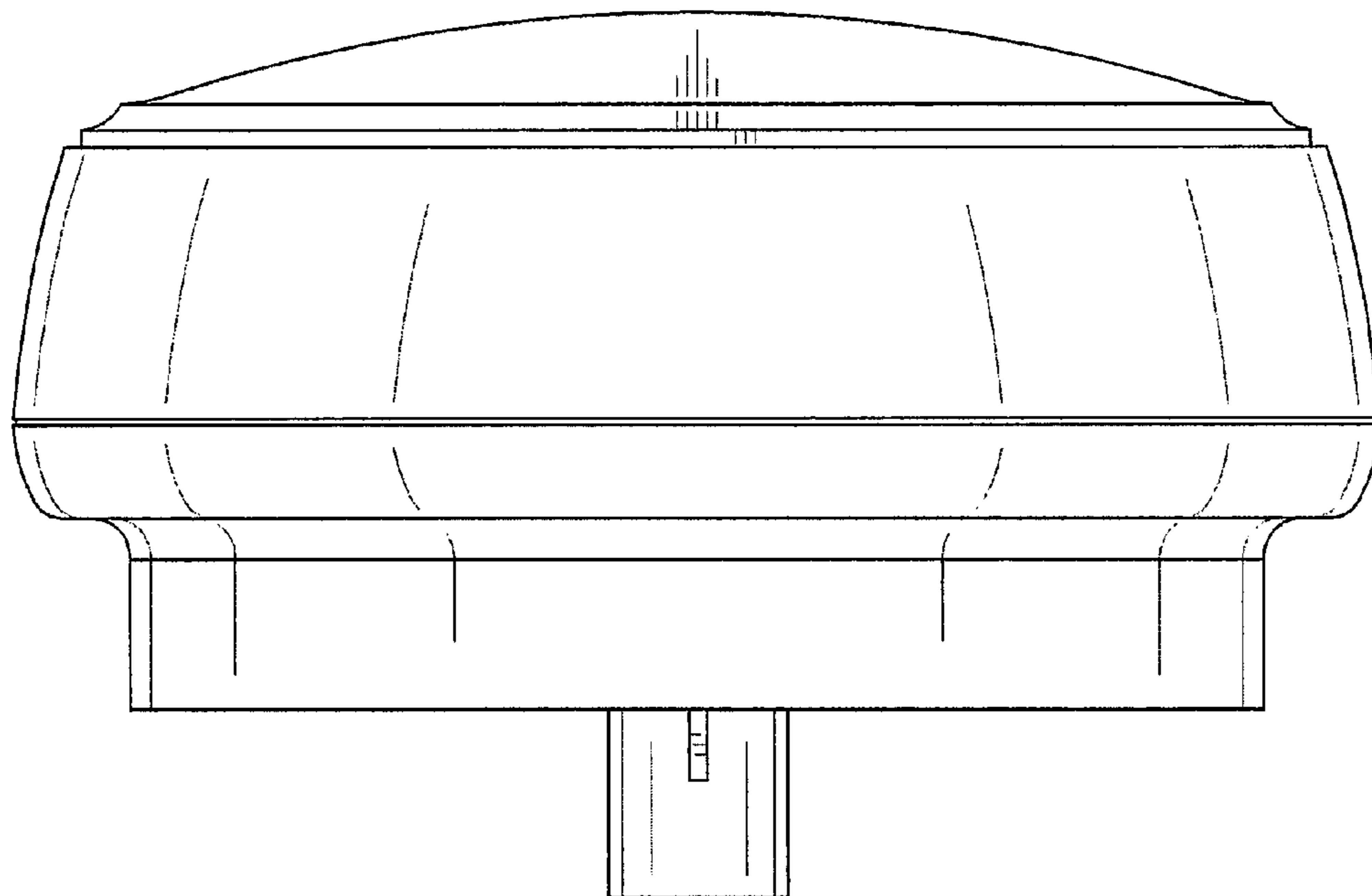


FIG.3

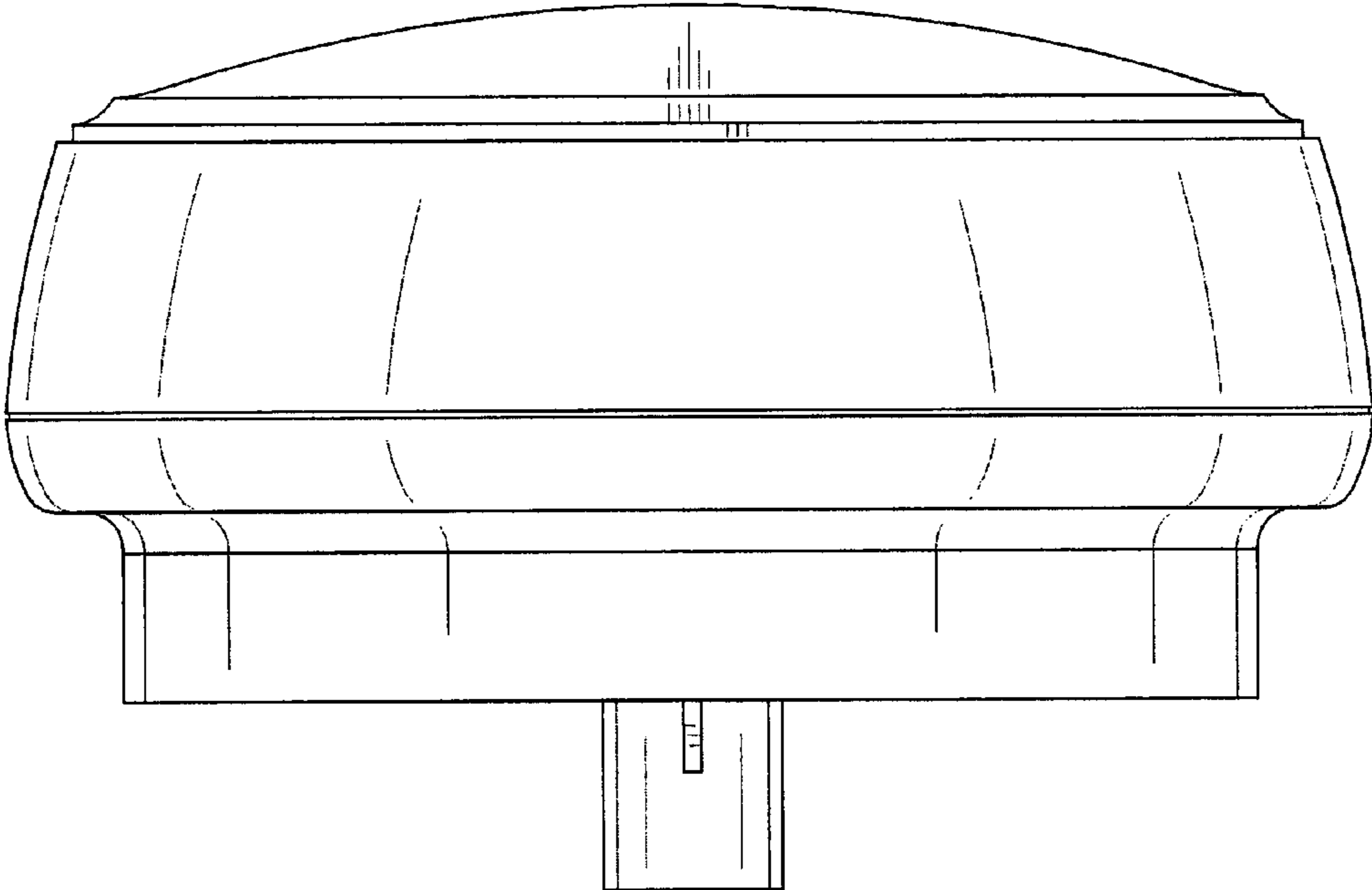


FIG.4

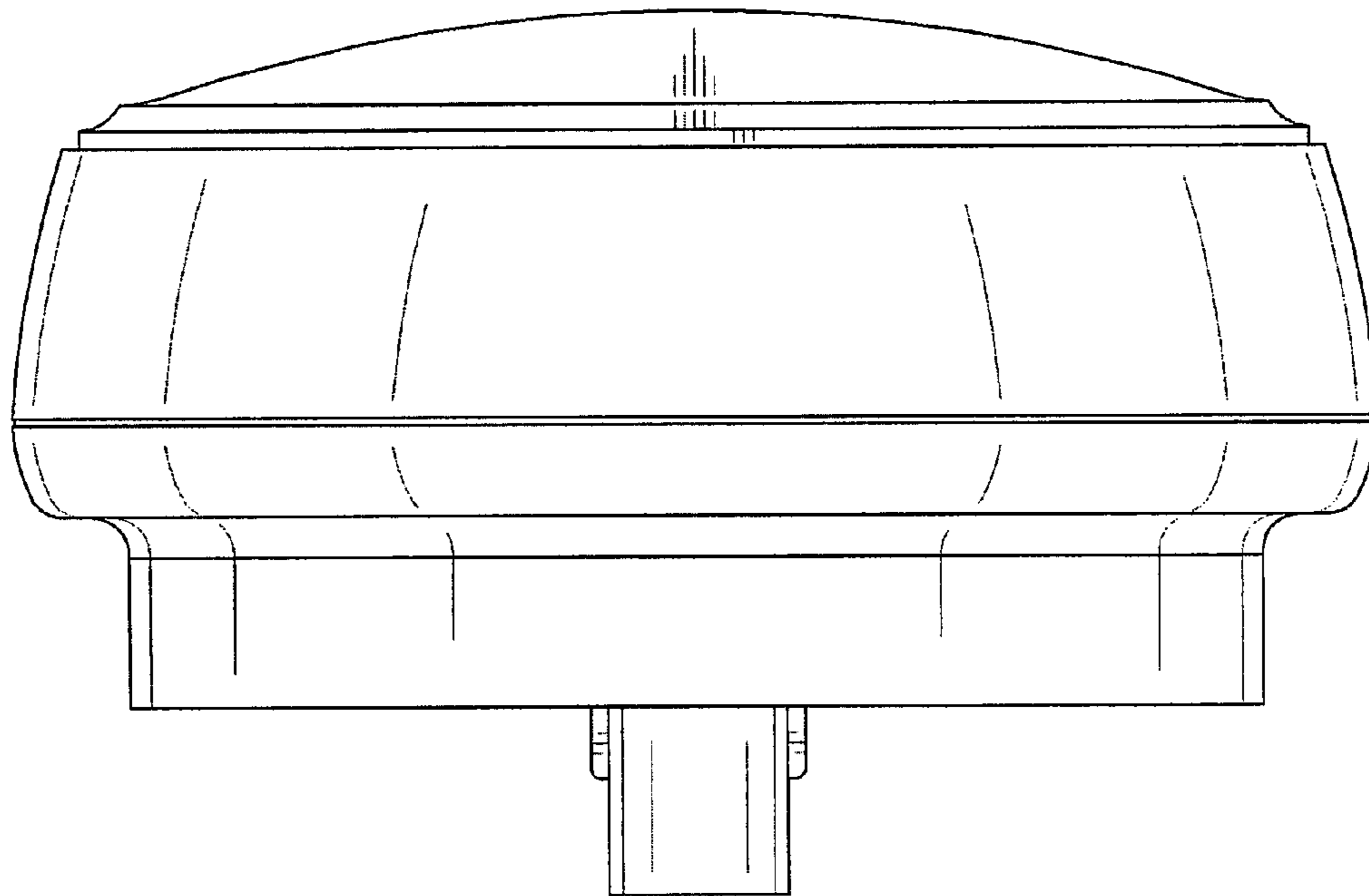


FIG.5

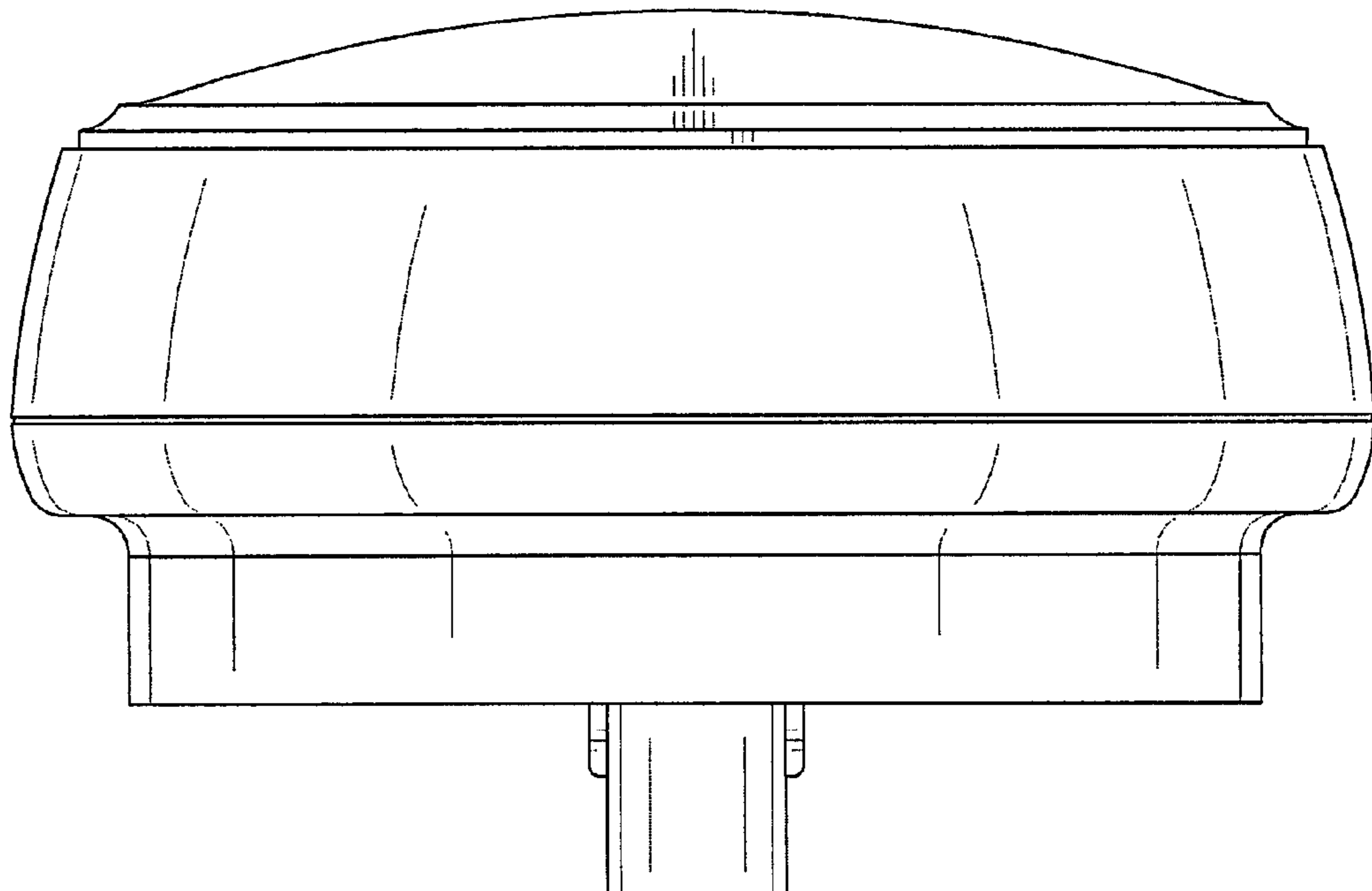


FIG.6

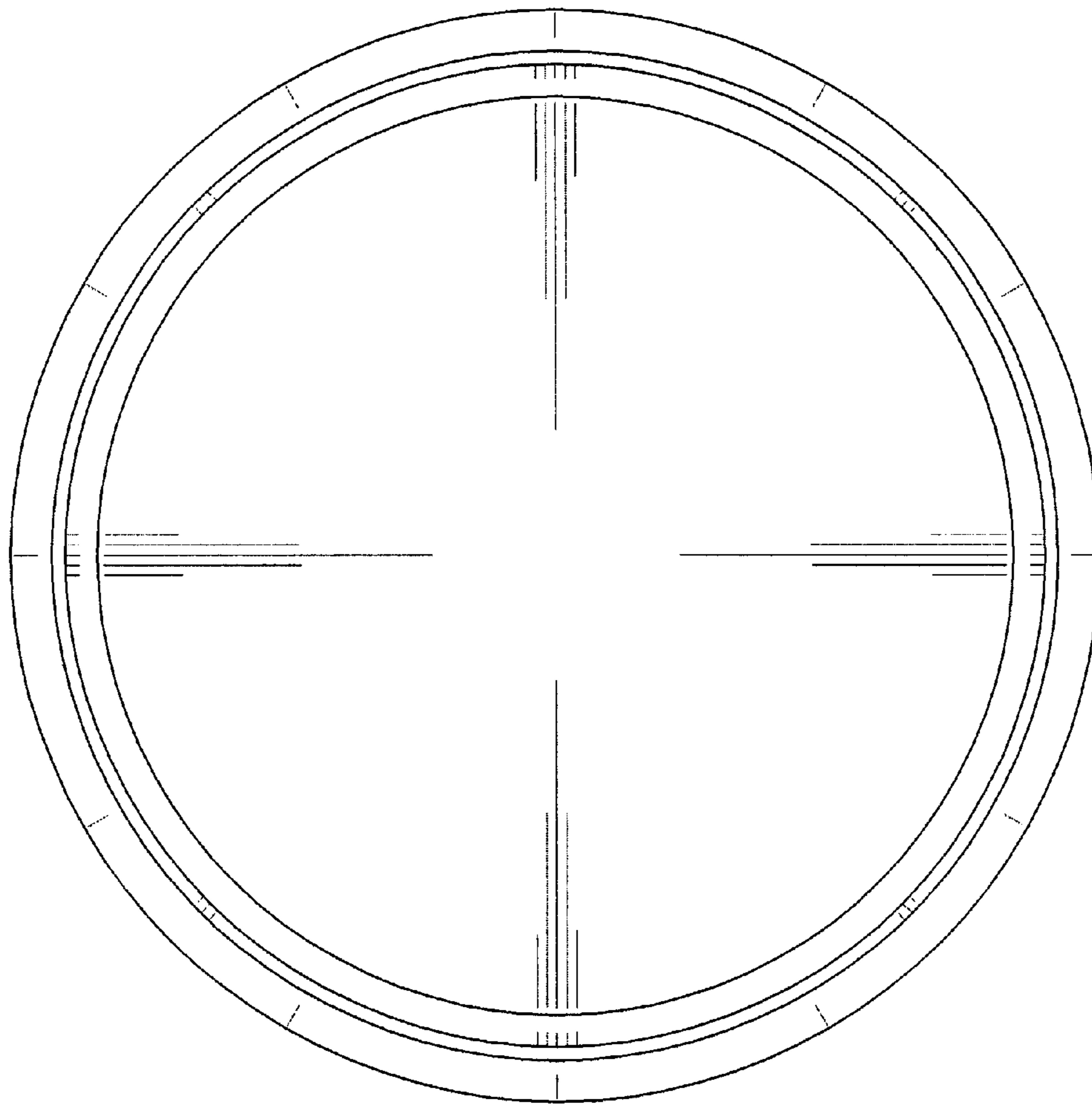


FIG.7

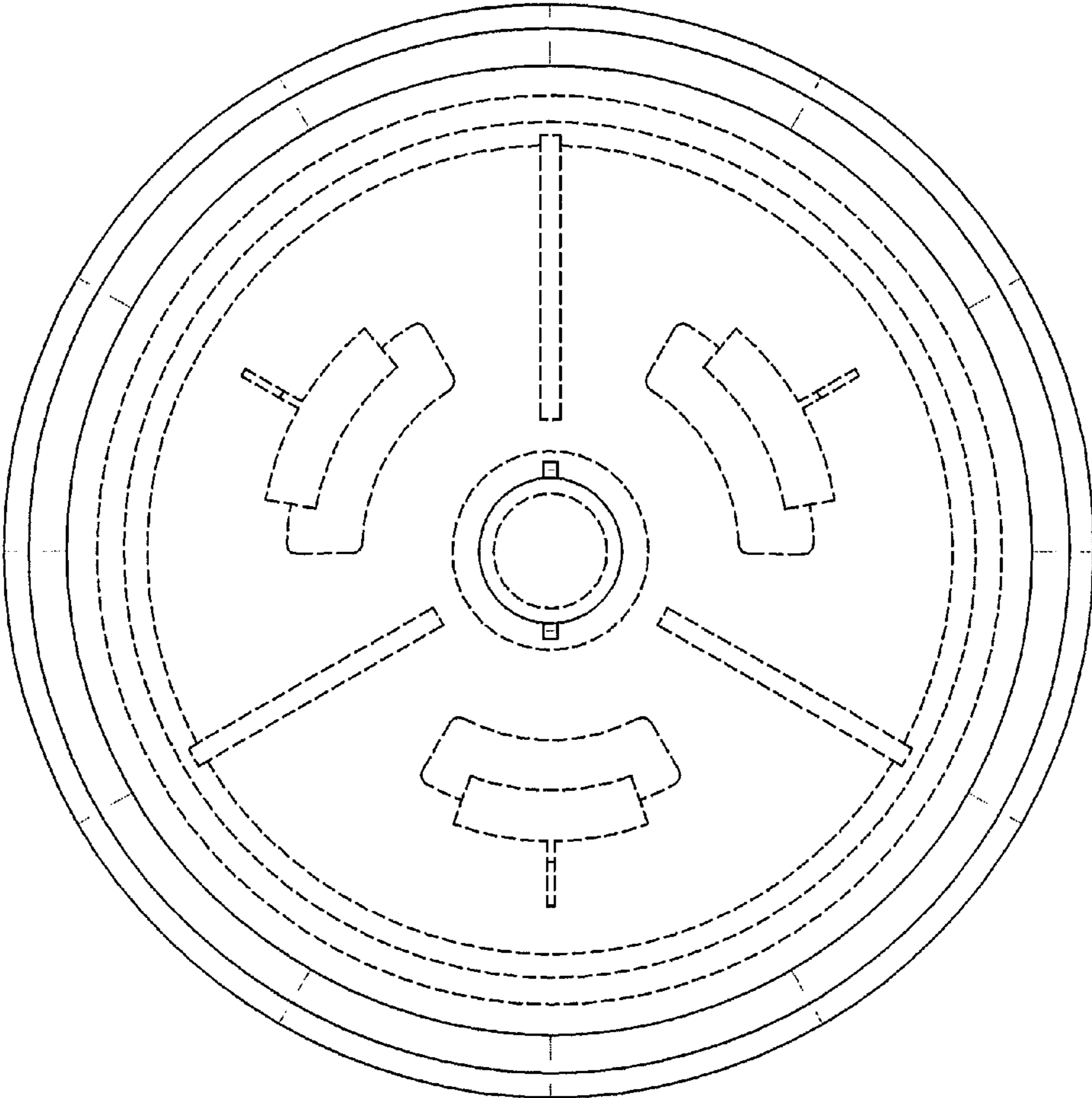




FIG.8

