



US00D713235S

(12) **United States Design Patent**
Lee et al.

(10) **Patent No.:** **US D713,235 S**
(45) **Date of Patent:** **** Sep. 16, 2014**

- (54) **DIAL KNOB FOR A WASHING MACHINE**
- (75) Inventors: **Sung Kyung Lee**, Kyungki-do (KR);
Yeon Young Nam, Kyunggi-do (KR)
- (73) Assignee: **Samsung Electronics Co., Ltd.**,
Gyeonggi-do (KR)
- (**) Term: **14 Years**
- (21) Appl. No.: **29/405,742**
- (22) Filed: **Nov. 4, 2011**
- (51) **LOC (10) Cl.** **08-06**
- (52) **U.S. Cl.**
USPC **D8/310**
- (58) **Field of Classification Search**
USPC D32/1, 6, 8, 25, 28; D8/300–303,
D8/305–312, 321; D7/393, 402, 405–406;
116/309, 311–312, 315, 319–320;
200/316, 336; 16/110 R, 114 R, 118,
16/121, 414, 441; 74/553, 548, 558.5
See application file for complete search history.

D493,686 S *	8/2004	Fields	D8/310
D526,882 S *	8/2006	Veltz	D8/307
D527,611 S *	9/2006	Sato	D8/310
D541,492 S *	4/2007	Nam	D32/6
D565,385 S *	4/2008	Jou	D8/307
D567,624 S *	4/2008	Ricereto	D8/307
D569,220 S *	5/2008	McConnell	D8/310
D592,484 S *	5/2009	Ricereto	D8/310
D625,890 S *	10/2010	Lee et al.	D32/6
D679,171 S *	4/2013	Sedwick	D8/352
D679,982 S *	4/2013	Ramslund et al.	D8/312
D691,454 S *	10/2013	Weathersby et al.	D8/310
D691,455 S *	10/2013	Weathersby et al.	D8/310
2010/0139046 A1 *	6/2010	Daniels et al.	16/414

* cited by examiner

Primary Examiner — T. Chase Nelson
Assistant Examiner — Kathleen M Sims
(74) *Attorney, Agent, or Firm* — Harness, Dickey & Pierce,
P.L.C.

(57) **CLAIM**
We claim the ornamental design for a dial knob for a washing machine, as shown.

DESCRIPTION

FIG. 1 is a front/right-side/top perspective view of a dial knob for a washing machine showing our new design;
FIG. 2 is a front elevational view thereof;
FIG. 3 is a rear elevational view thereof;
FIG. 4 is a left-side elevational view thereof;
FIG. 5 is a right-side elevational view thereof;
FIG. 6 is a top plan view thereof;
FIG. 7 is a bottom plan view thereof; and,
FIG. 8 is a perspective view thereof in its environment.
The broken line showing of knob details in FIG. 7 and a washing machine in FIG. 8 is included for the purpose of showing environmental portions of the dial knob for washing machine and forms no part of the claimed design.

1 Claim, 8 Drawing Sheets

- (56) **References Cited**
U.S. PATENT DOCUMENTS
- 817,993 A * 4/1906 Reuter 16/441
- 2,199,018 A * 4/1940 Bahr 16/441
- D173,850 S * 1/1955 Ohno D8/310
- D179,458 S * 12/1956 Ohno D8/310
- D180,818 S * 8/1957 Clayton D8/310
- D184,630 S * 3/1959 Combs D8/310
- D199,924 S * 12/1964 Schlage D8/310
- D225,394 S * 12/1972 Giandomenico D8/310
- D226,894 S * 5/1973 Tegner D8/310
- D326,219 S * 5/1992 Clayton D8/310
- 5,450,653 A * 9/1995 Howie, Jr. 16/441
- 5,669,104 A * 9/1997 Howie, Jr. 16/441
- D401,834 S * 12/1998 Burns et al. D8/310
- 6,242,064 B1 * 6/2001 Howie, Jr. 428/35.7

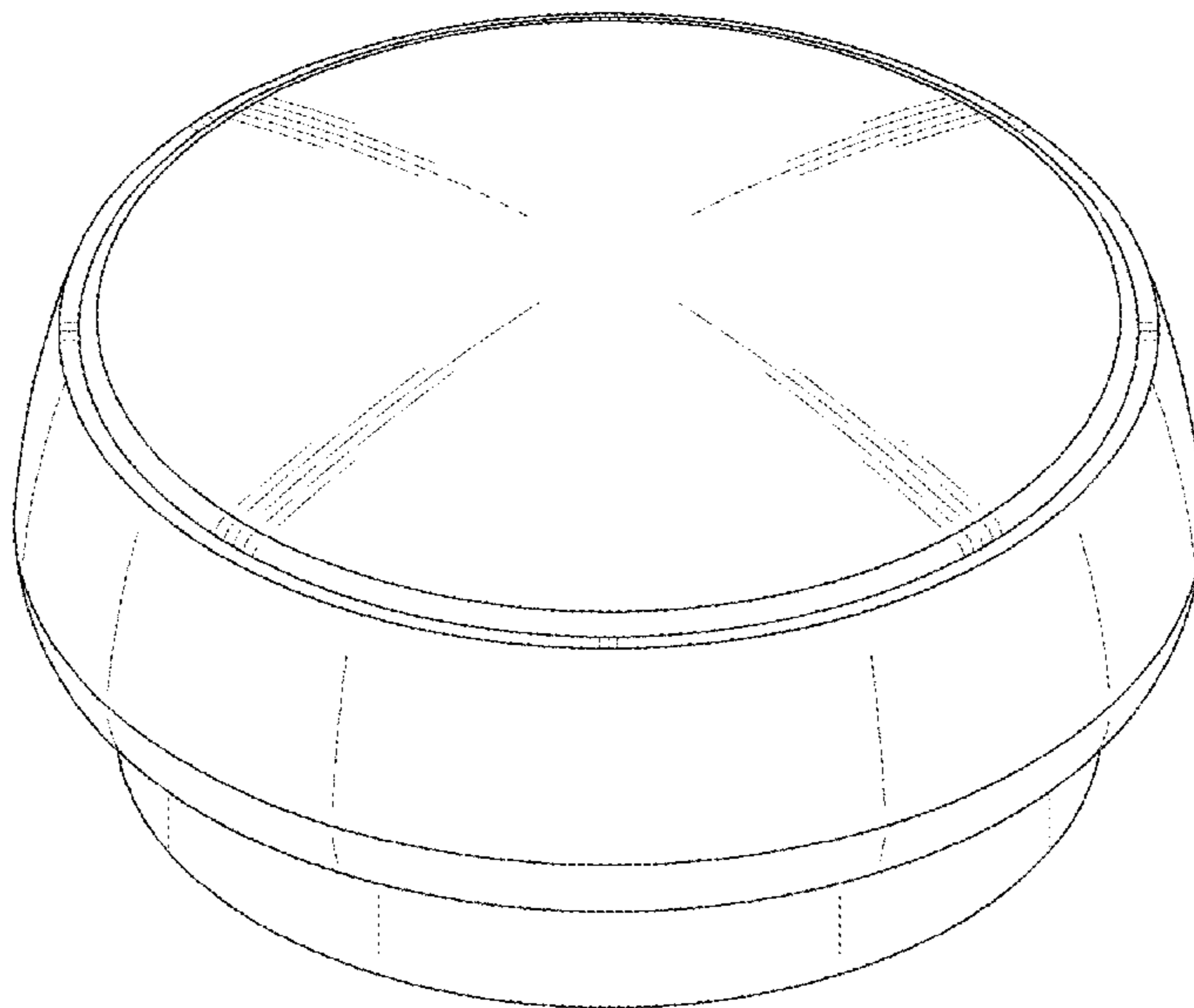


FIG. 1

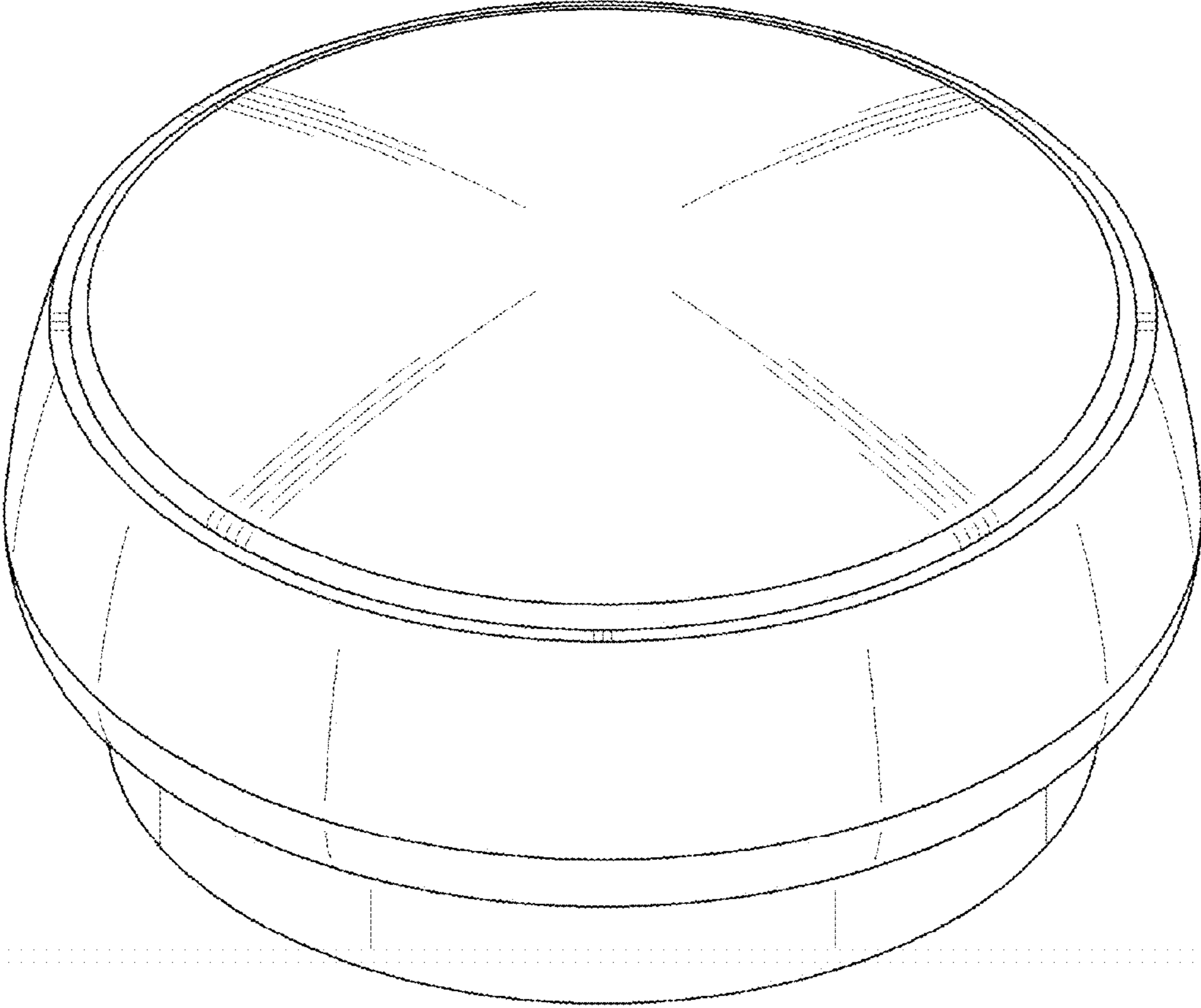


FIG.2

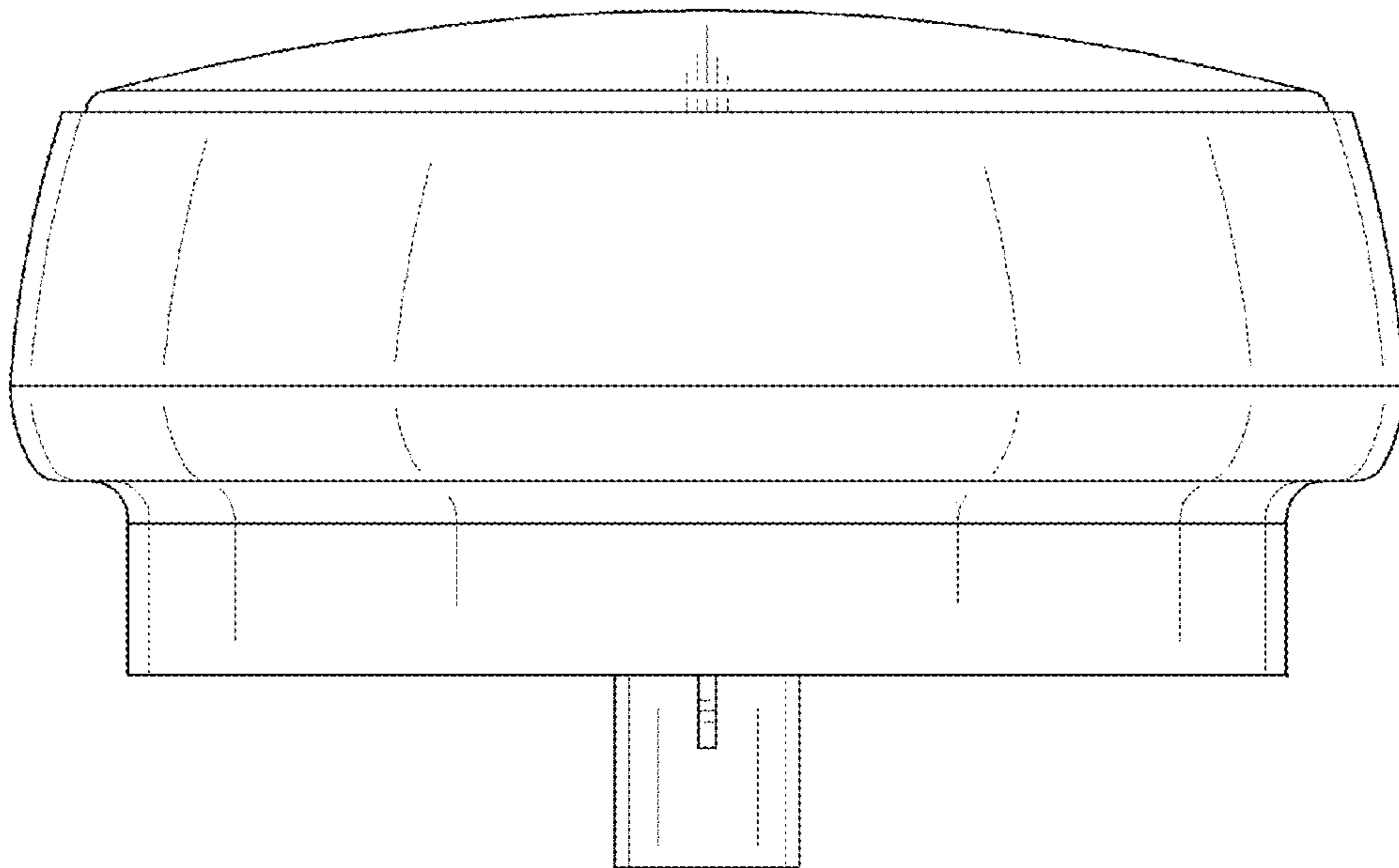


FIG.3

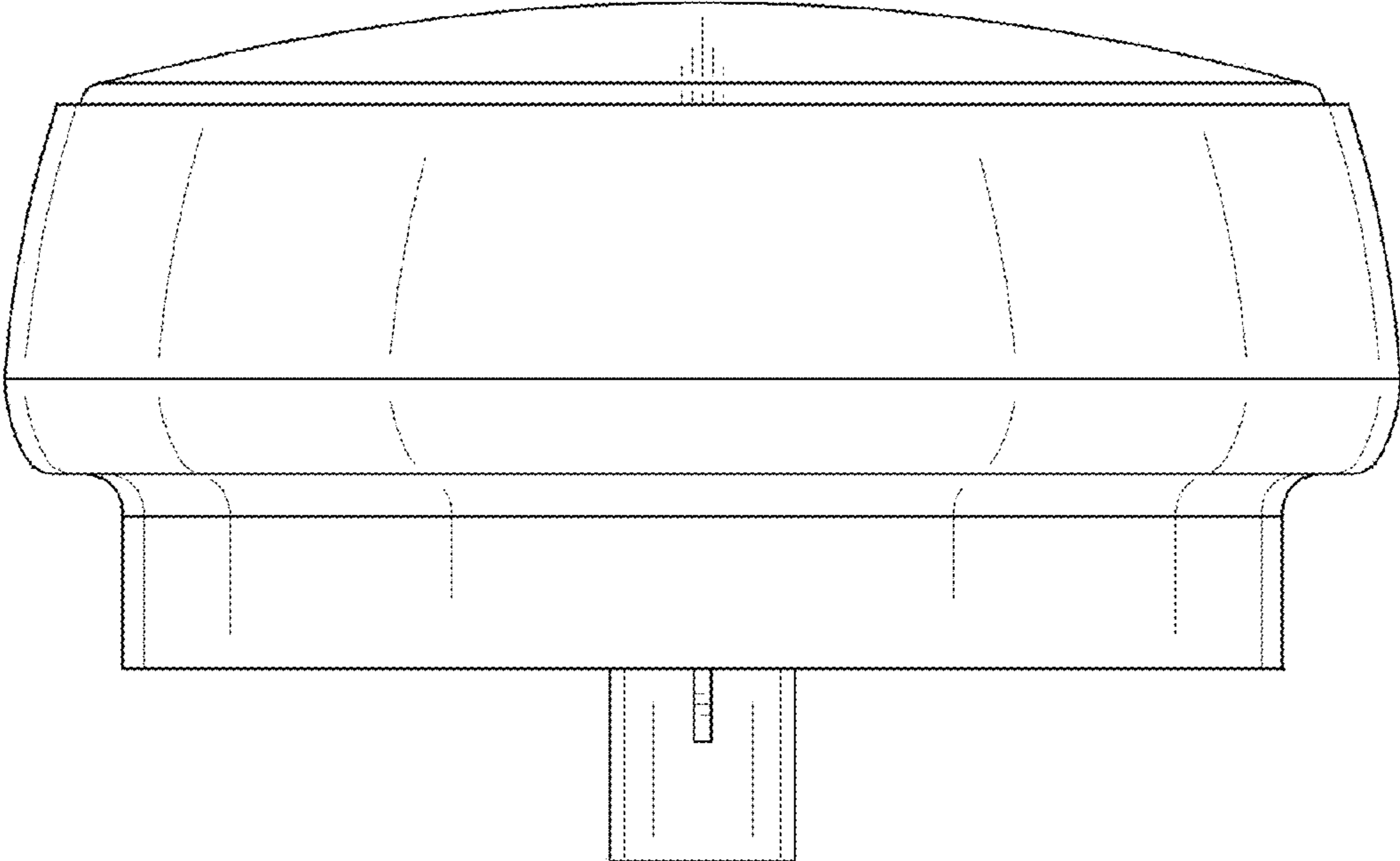


FIG.4

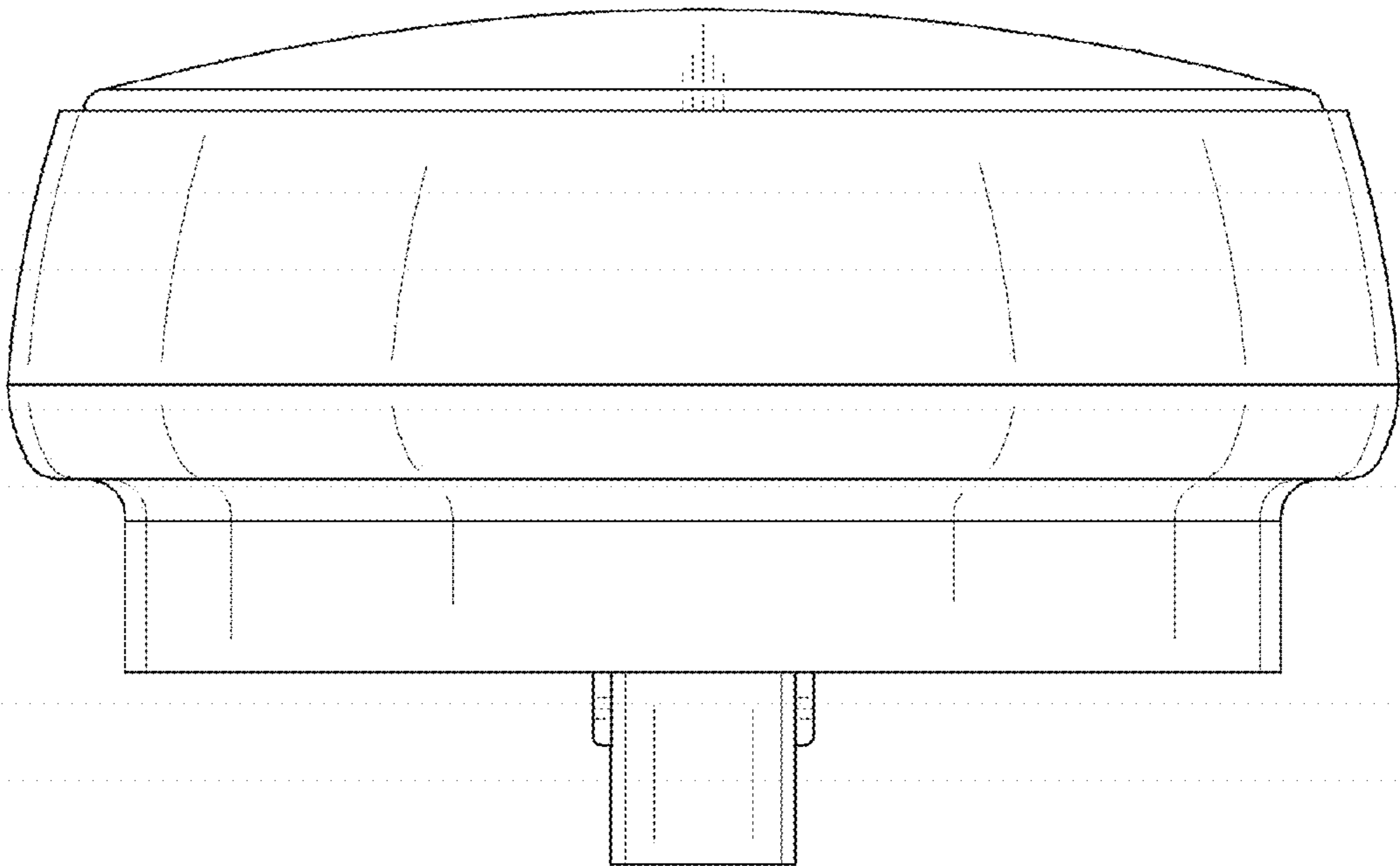


FIG.5

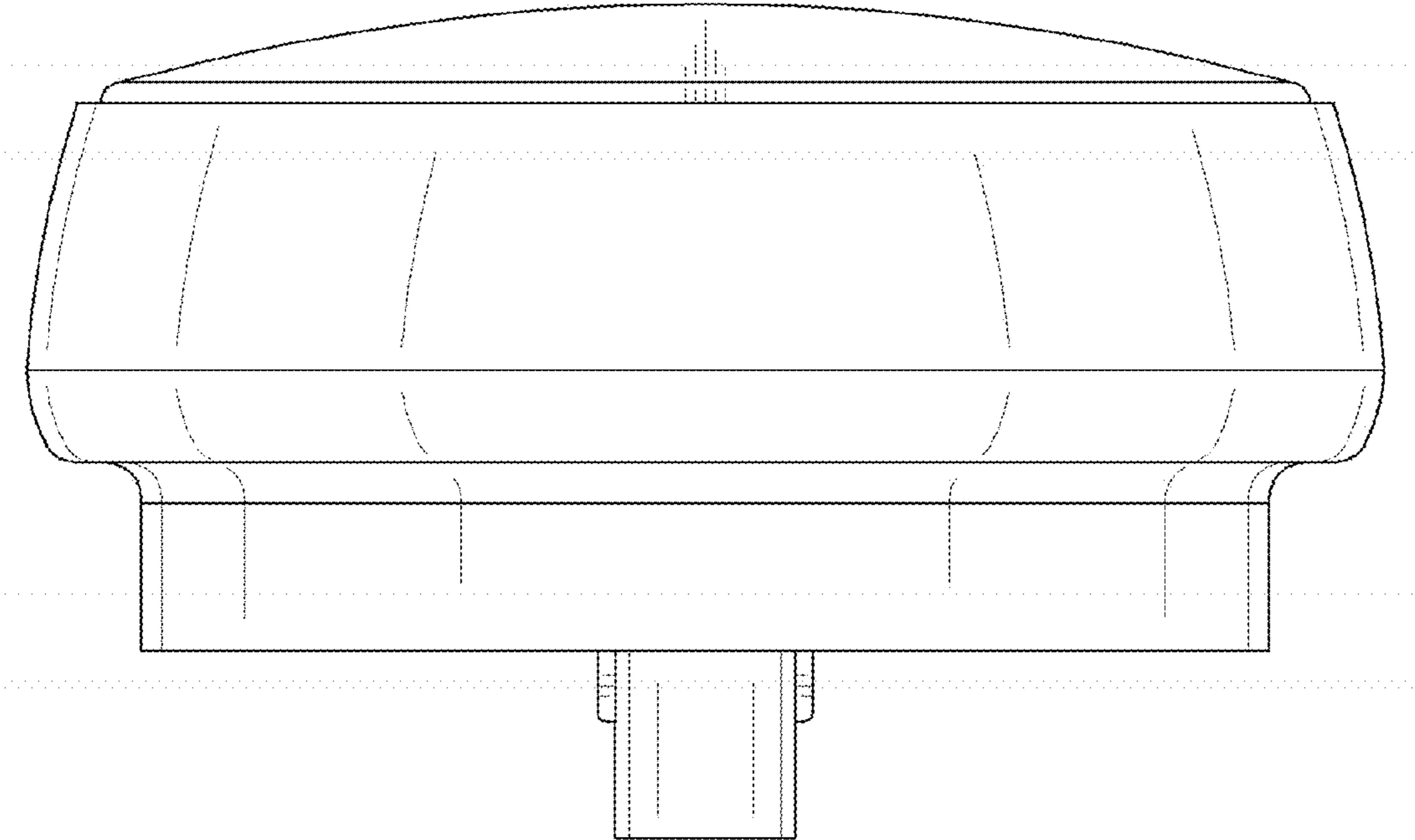


FIG. 6

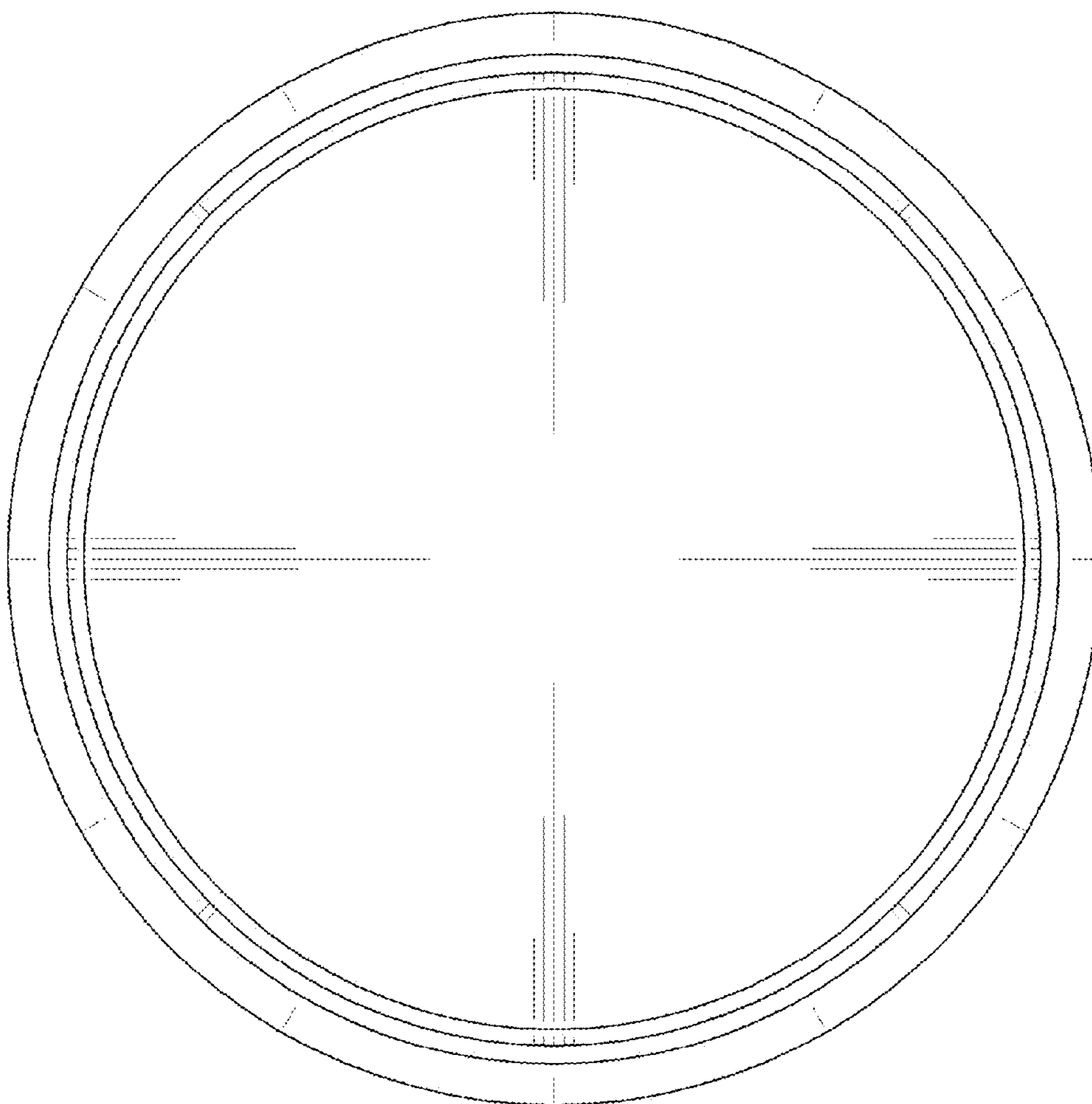


FIG.7

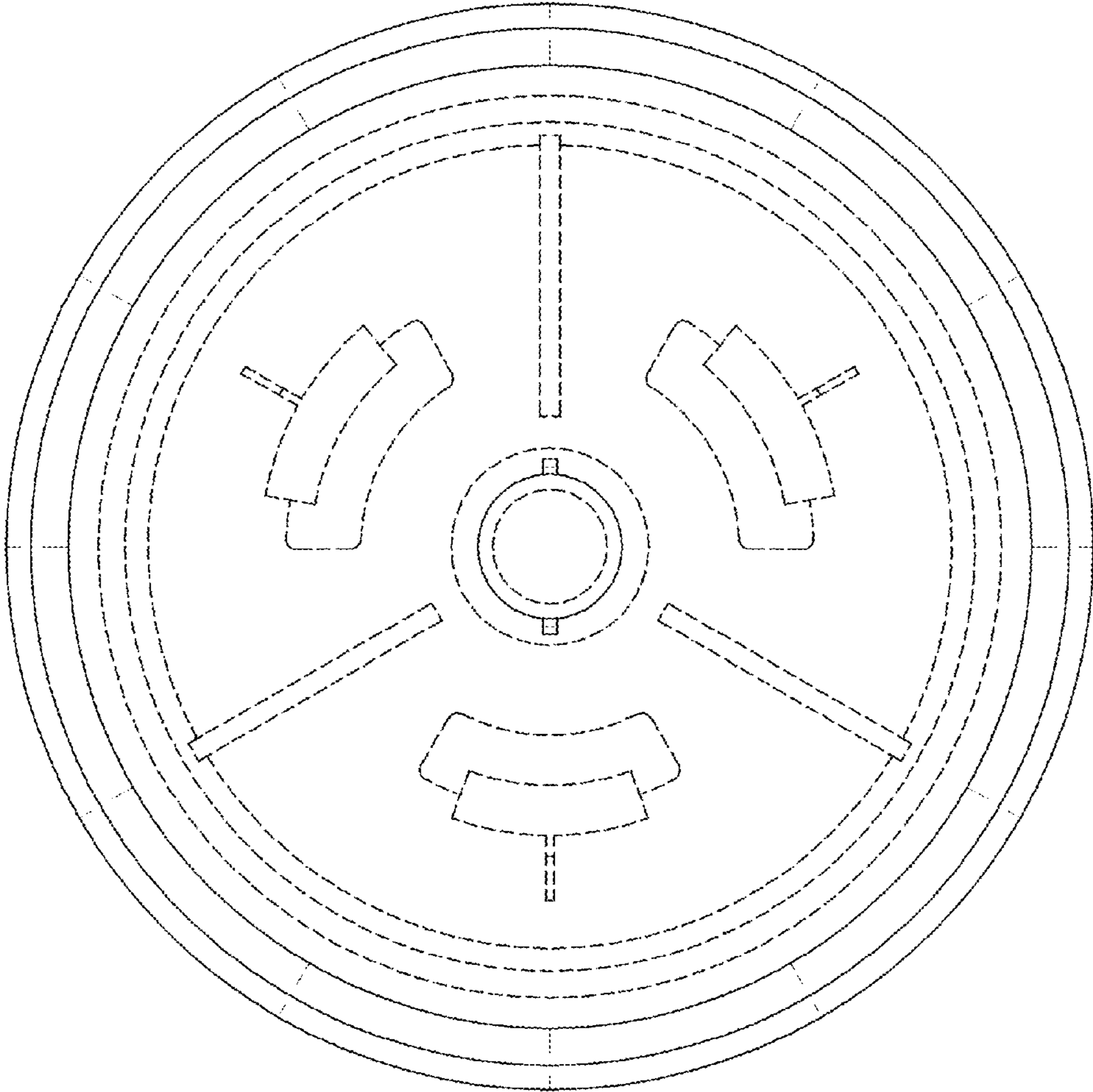


FIG.8

