



US00D713233S

(12) **United States Design Patent**
Rubin et al.

(10) **Patent No.:** **US D713,233 S**

(45) **Date of Patent:** **** Sep. 16, 2014**

(54) **CARABINER MULTI-TOOL**

(75) Inventors: **Bennett S. Rubin**, Pepper Pike, OH (US); **Richard C. Adamany**, Chagrin Falls, OH (US)

(73) Assignee: **Interdesign, Inc.**, Solon, OH (US)

(**) Term: **14 Years**

(21) Appl. No.: **29/427,300**

(22) Filed: **Jul. 16, 2012**

(51) **LOC (10) Cl.** **08-05**

(52) **U.S. Cl.**
USPC **D8/105**

(58) **Field of Classification Search**
USPC D8/52, 55, 58, 99, 105, 107, 356;
D19/65; 81/177.4, 427.5, 440; 7/118,
7/128, 138, 160; 30/155, 161, 162, 298.4
See application file for complete search history.

(56) **References Cited**

U.S. PATENT DOCUMENTS

6,223,372 B1 5/2001 Barber
D474,095 S 5/2003 Luquire

(Continued)

OTHER PUBLICATIONS

InterTech SwissTech Key Ring Multi-Tool. 2 pages. Found online Apr. 25, 2014 at <https://www.swisstechstore.com/home.php?cat=84>.*

Primary Examiner — Robert M Spear

(74) *Attorney, Agent, or Firm* — D. Peter Hochberg; Sean F. Mellino; Richard A. Wolf

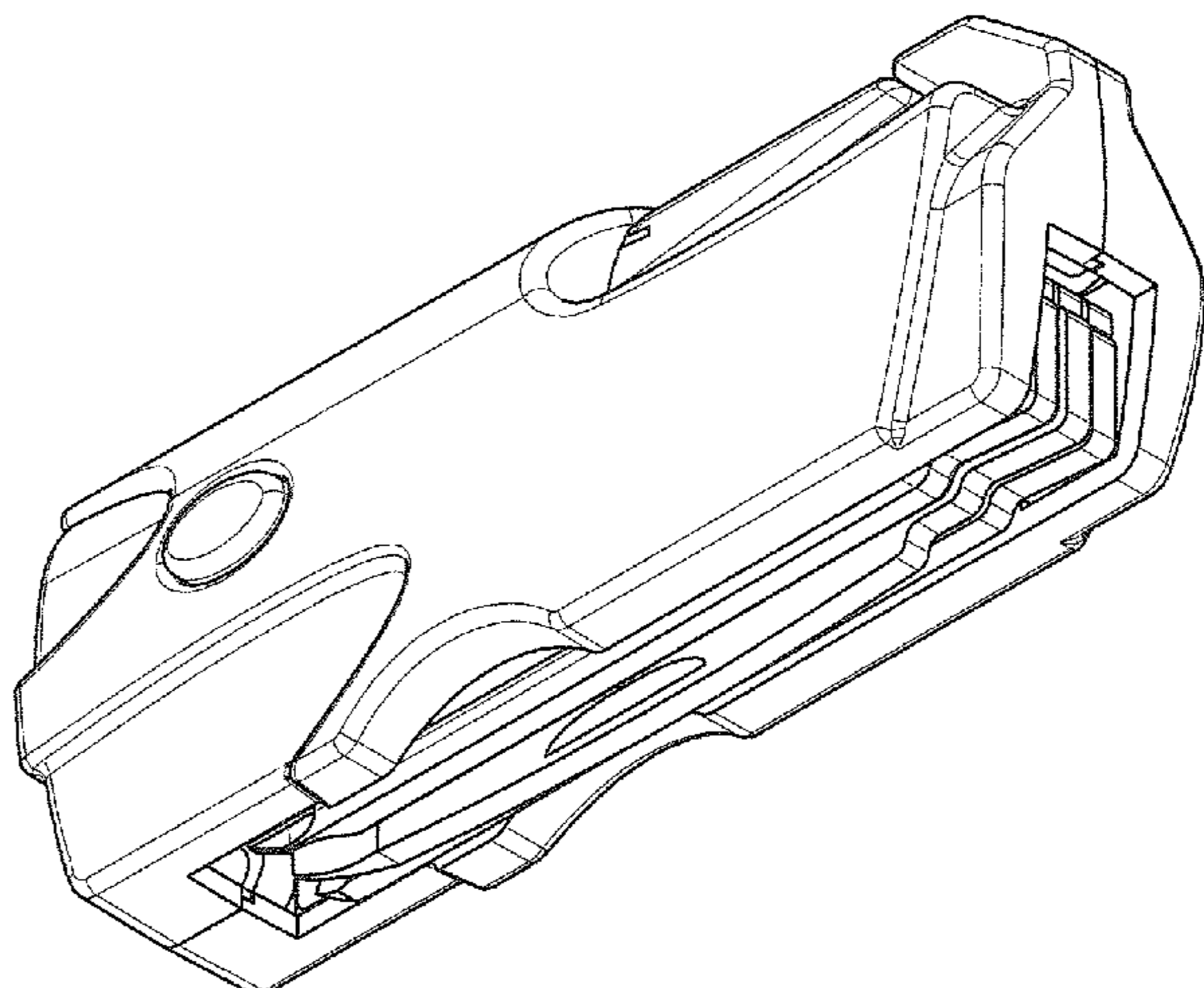
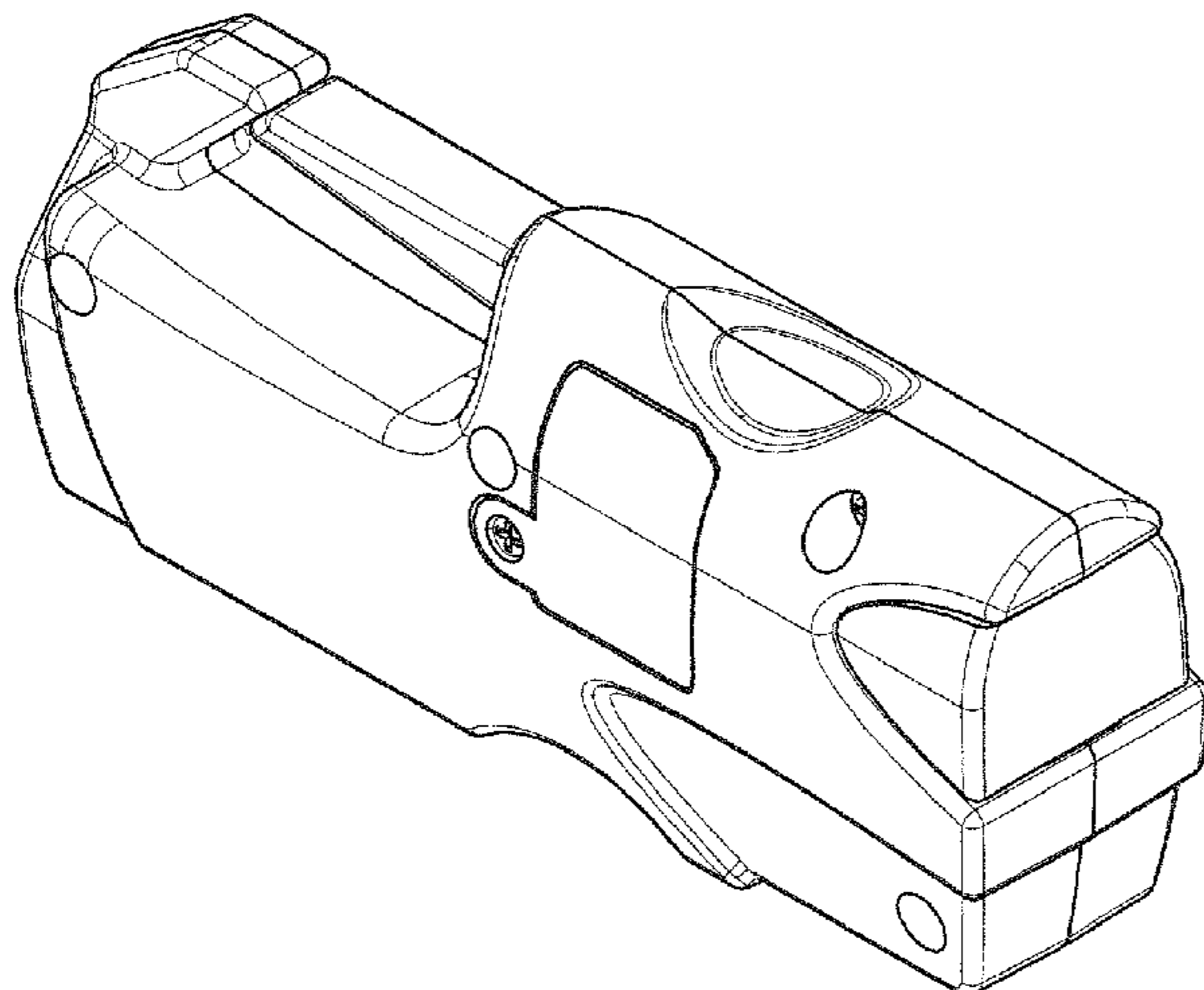
(57) **CLAIM**

The ornamental design for a carabiner multi-tool, as shown and described.

DESCRIPTION

FIG. 1 is a perspective top view of the carabiner multi-tool taken from an elevation at one end of the device;
FIG. 2 is a perspective bottom view of the carabiner multi-tool taken from an elevation at one end of the device opposite the end from which the view in FIG. 1 was taken;
FIG. 3 is a front view of the carabiner multi-tool;
FIG. 4 is a back view of the carabiner multi-tool;
FIG. 5 is a top plan view of the carabiner multi-tool;
FIG. 6 is a bottom plan view of the carabiner multi-tool;
FIG. 7 is an end view of the carabiner multi-tool;
FIG. 8 is an end view of the carabiner multi-tool taken from the end opposite the end of the device from which the view of FIG. 7 was taken;
FIG. 9 is a perspective top view of the carabiner multi-tool taken from the same elevation as in FIG. 1, with the tools withdrawn from their storage compartment;
FIG. 10 is a perspective bottom view of the carabiner multi-tool taken from the same elevation as in FIG. 2, with the tools withdrawn from their storage compartment;
FIG. 11 is a front view of the carabiner multi-tool with the tools withdrawn from their storage compartment;
FIG. 12 is a back view of the carabiner multi-tool with the tools withdrawn from their storage compartment;
FIG. 13 is a top plan view of the carabiner multi-tool taken from the same direction as in FIG. 5, with the tools withdrawn from their storage compartment;
FIG. 14 is a bottom plan view of the carabiner multi-tool taken from the same direction as in FIG. 6, with the tools withdrawn from their storage compartment;
FIG. 15 is an end view of the carabiner multi-tool taken from the same direction as in FIG. 7, with the tools withdrawn from their storage compartment; and,
FIG. 16 is an end view of the carabiner multi-tool taken from the same direction as in FIG. 8, with the tools withdrawn from their storage compartment.

1 Claim, 6 Drawing Sheets



(56)

References Cited

U.S. PATENT DOCUMENTS

6,594,906 B1	7/2003	Sakai et al.	
D479,350 S *	9/2003	Herman	D26/38
D484,770 S	1/2004	Green	
D513,579 S	1/2006	Barber et al.	
7,000,323 B1 *	2/2006	Hatcher et al.	30/155
7,111,349 B2	9/2006	Goldberg	
D533,427 S	12/2006	Barber et al.	
7,254,856 B2	8/2007	Goldberg	
D576,002 S	9/2008	Barber et al.	
D588,885 S	3/2009	Barber et al.	
7,676,931 B2	3/2010	Knight et al.	
D622,574 S	8/2010	Garcia et al.	
D635,002 S *	3/2011	Rivera et al.	D8/105
D635,004 S *	3/2011	Rivera et al.	D8/105
D650,257 S *	12/2011	Royes et al.	D8/105
D660,125 S *	5/2012	Seeds et al.	D8/105
2005/0144730 A1	7/2005	Barber et al.	
2010/0088899 A1	4/2010	Garcia et al.	

* cited by examiner

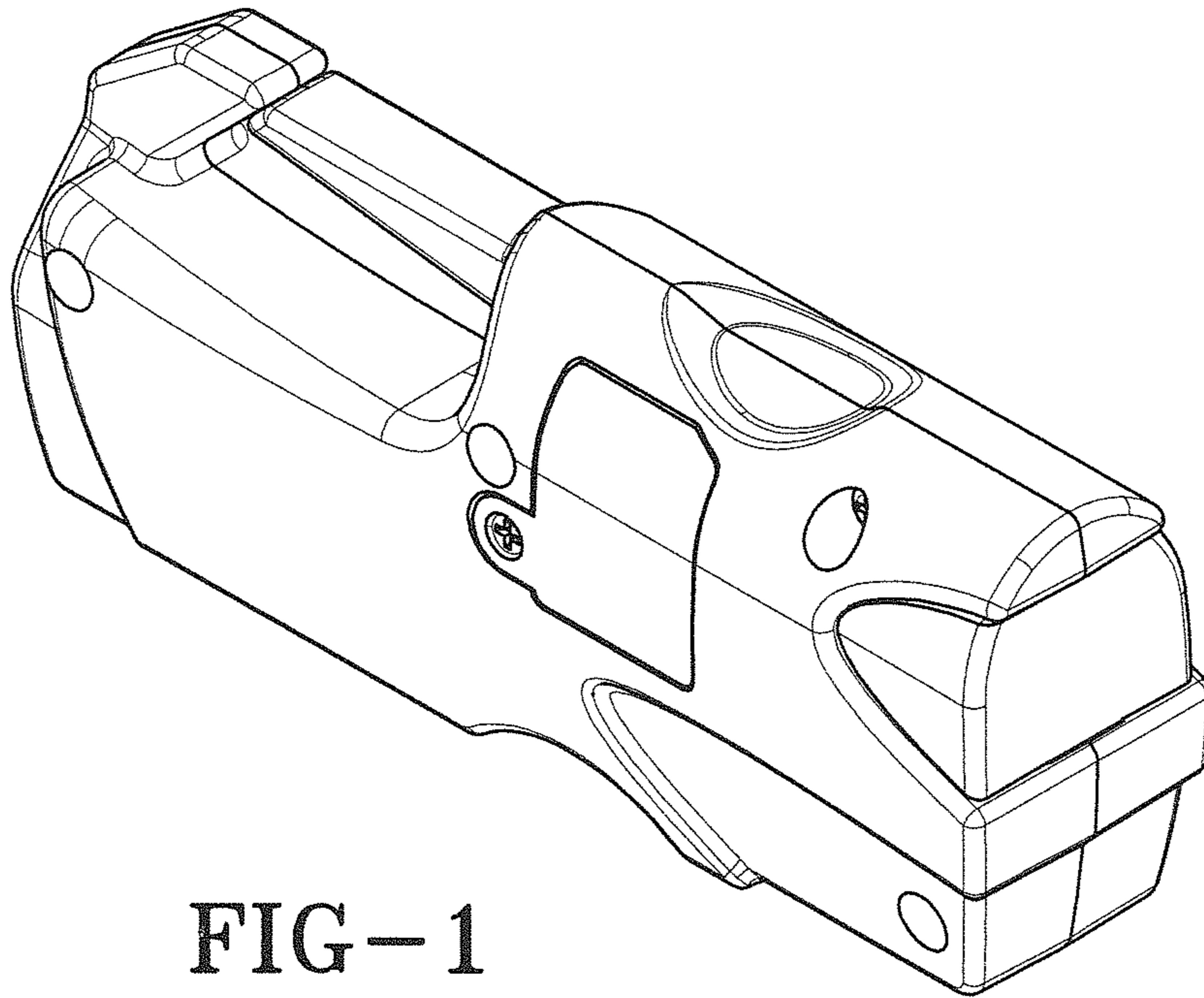


FIG-1

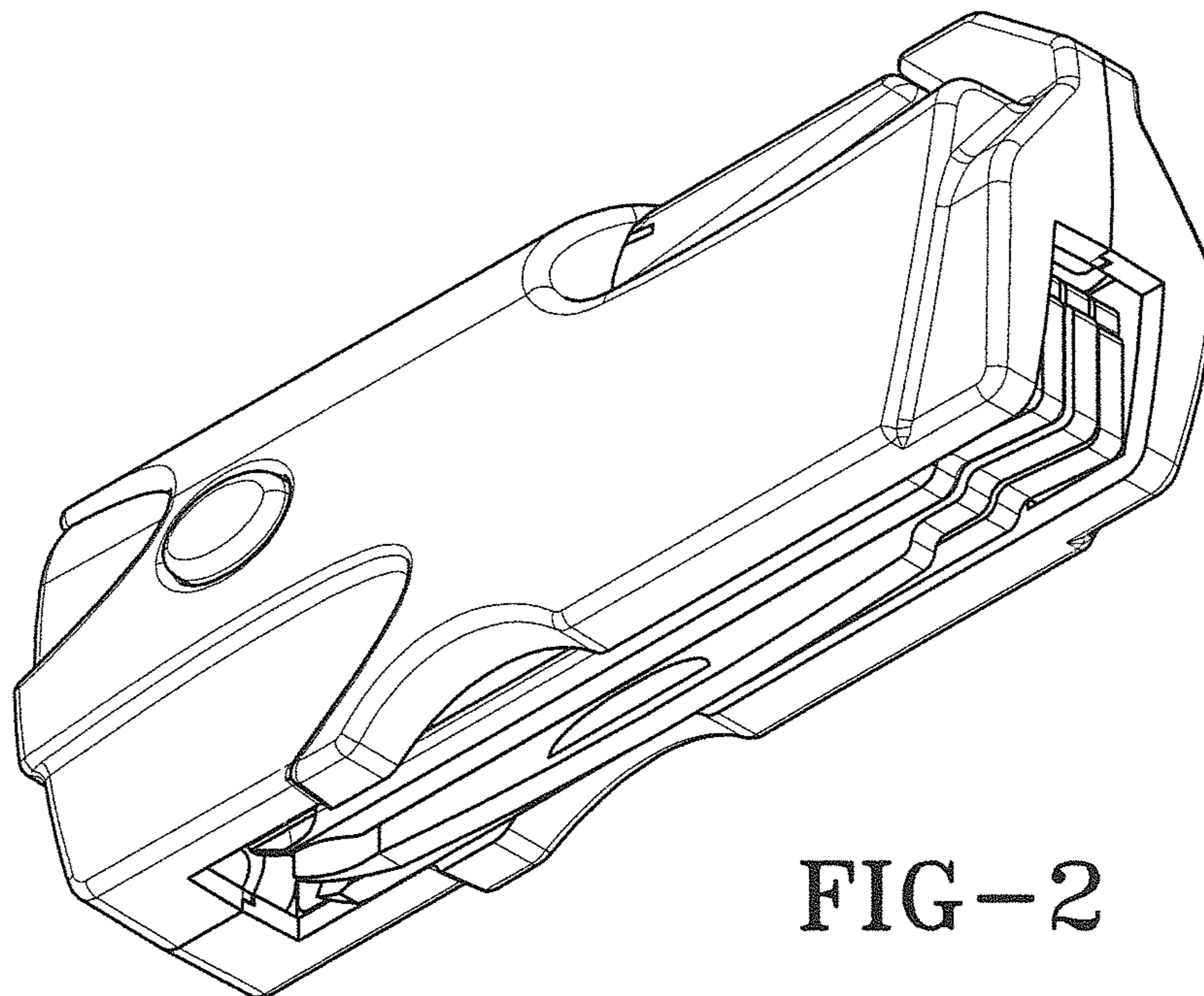


FIG-2

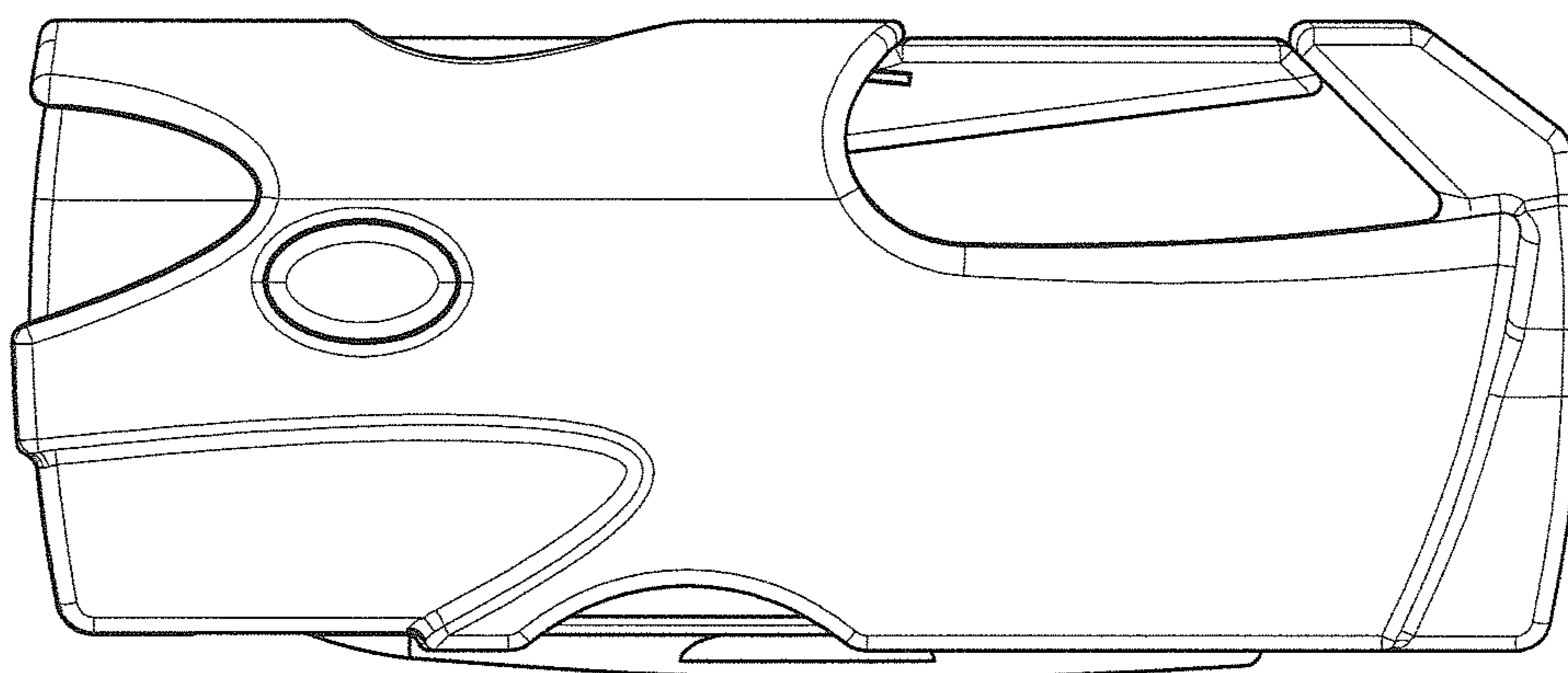


FIG-3

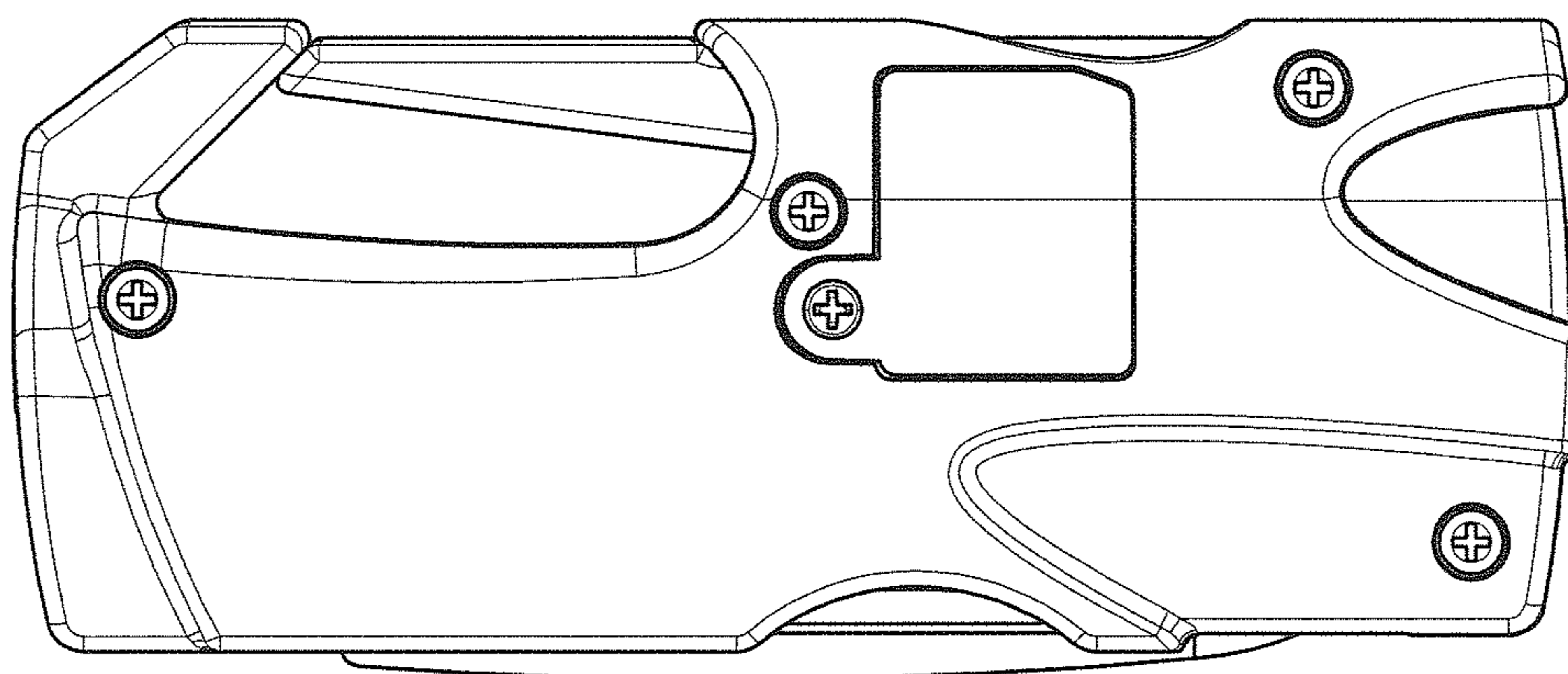


FIG-4

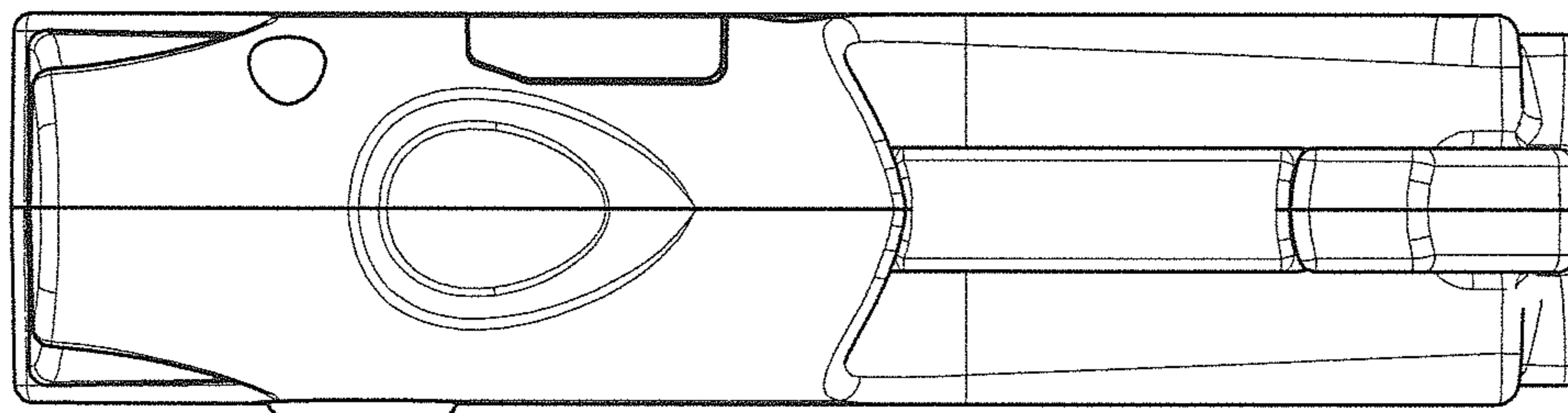


FIG-5

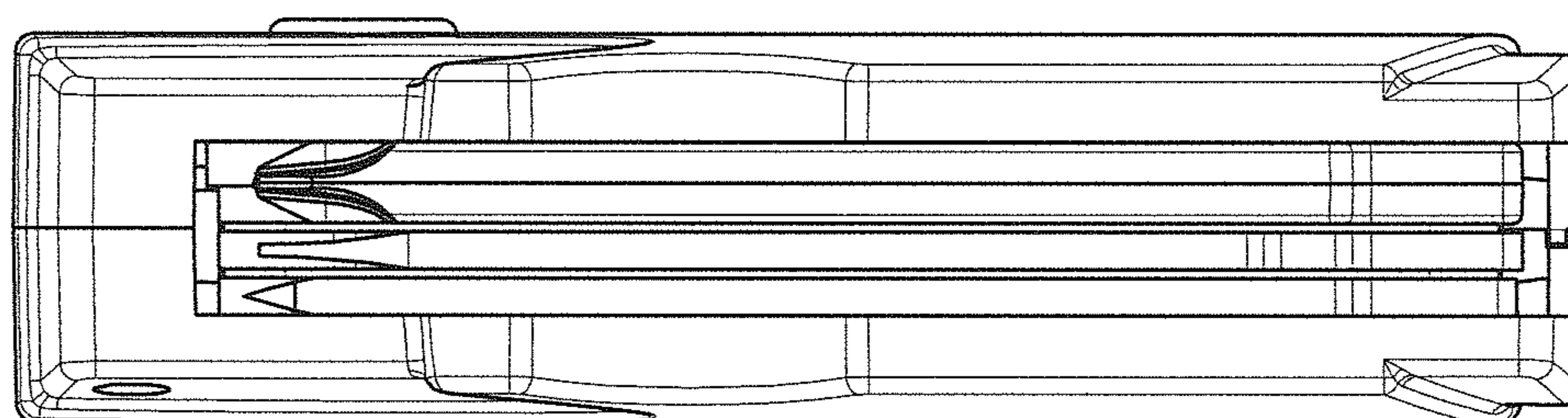


FIG-6

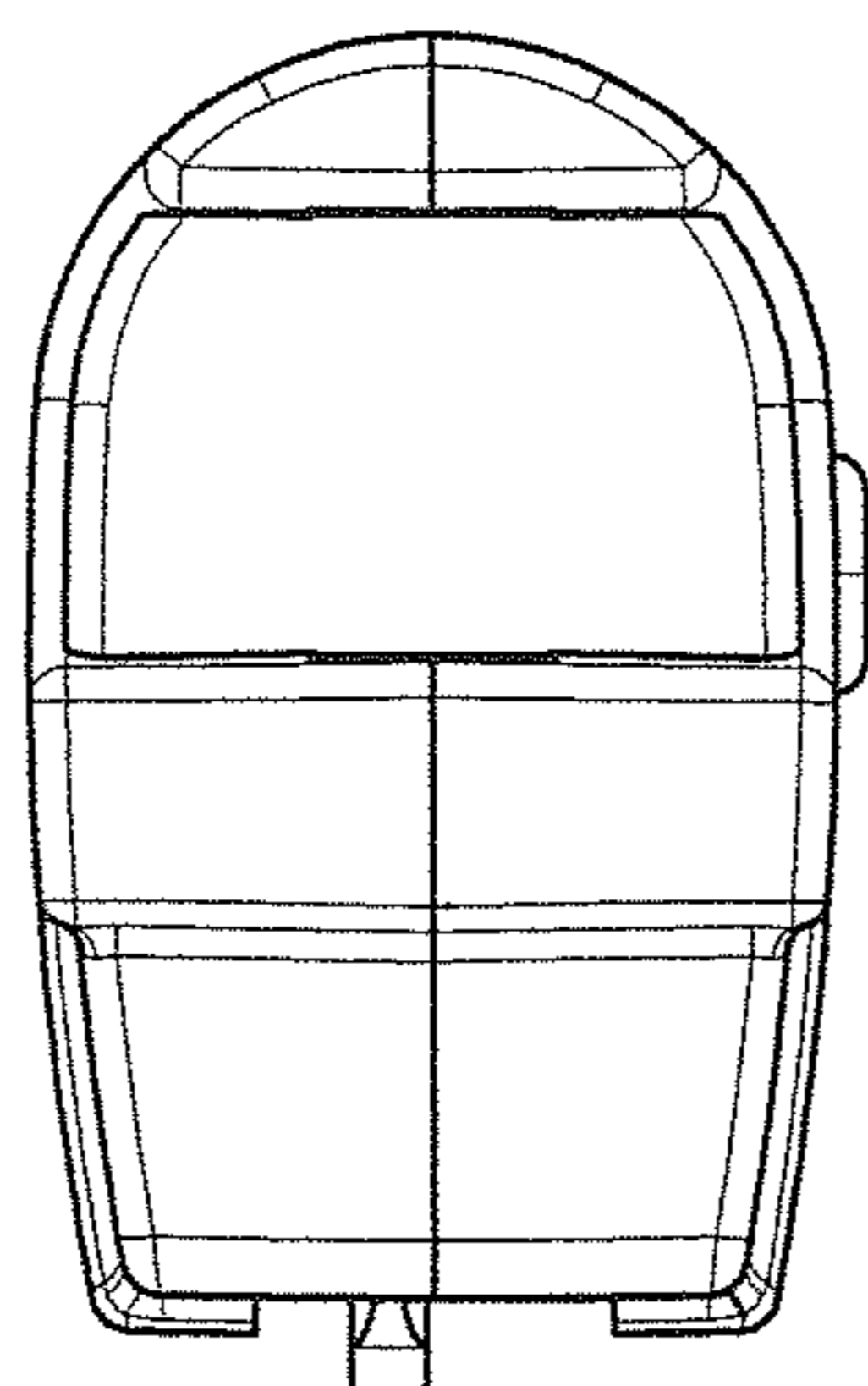


FIG-7

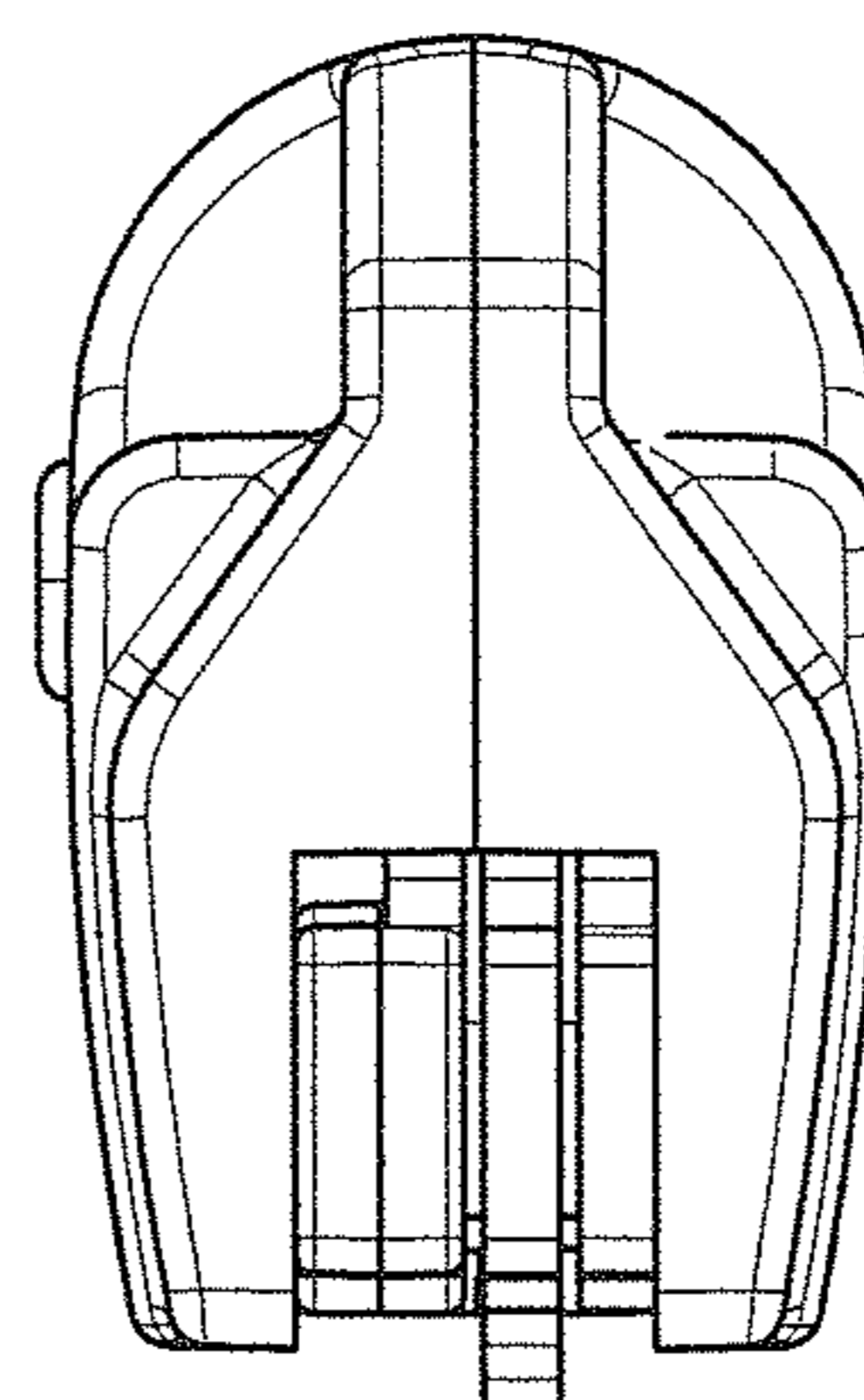


FIG-8

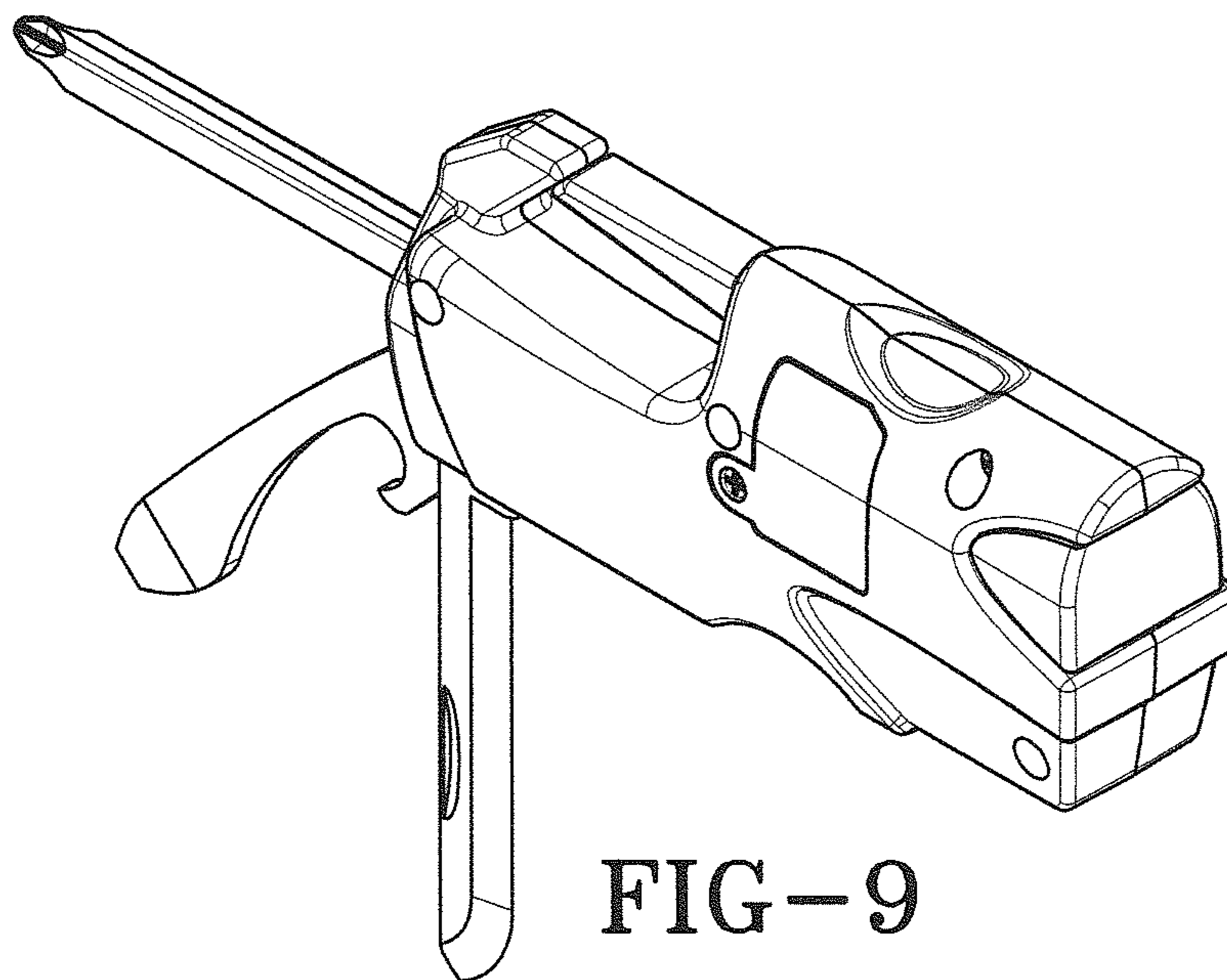


FIG-9

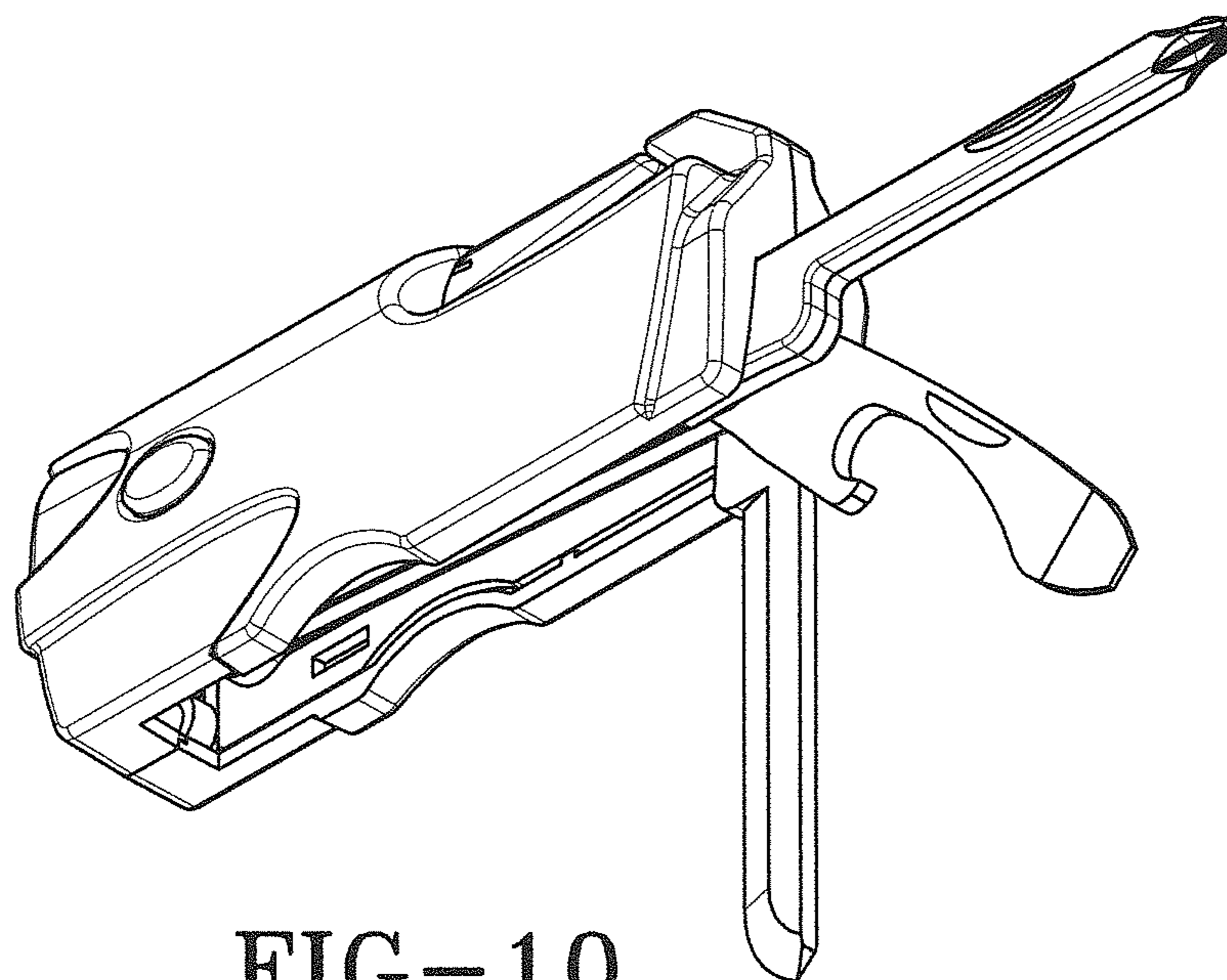


FIG-10

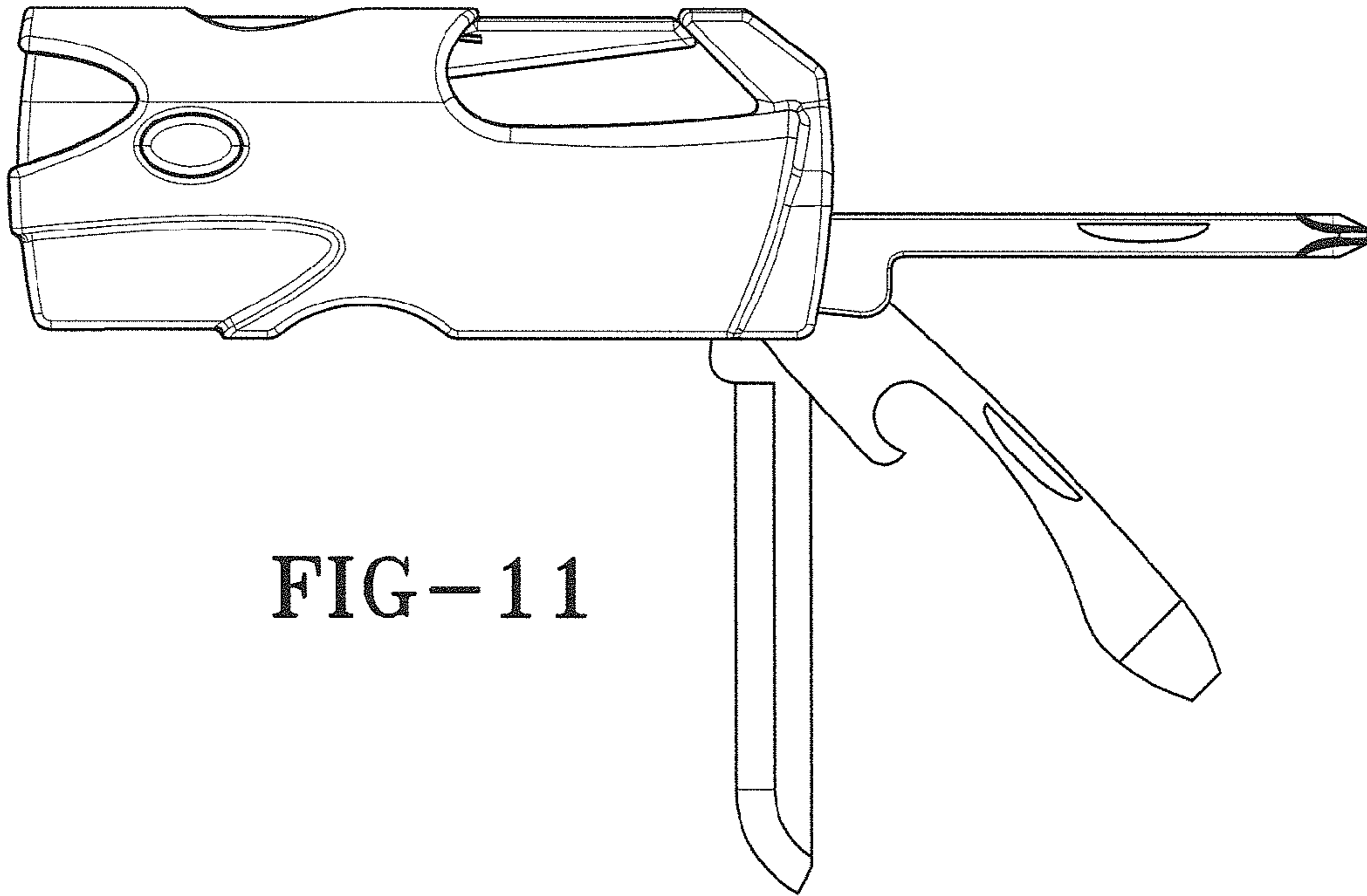


FIG-11

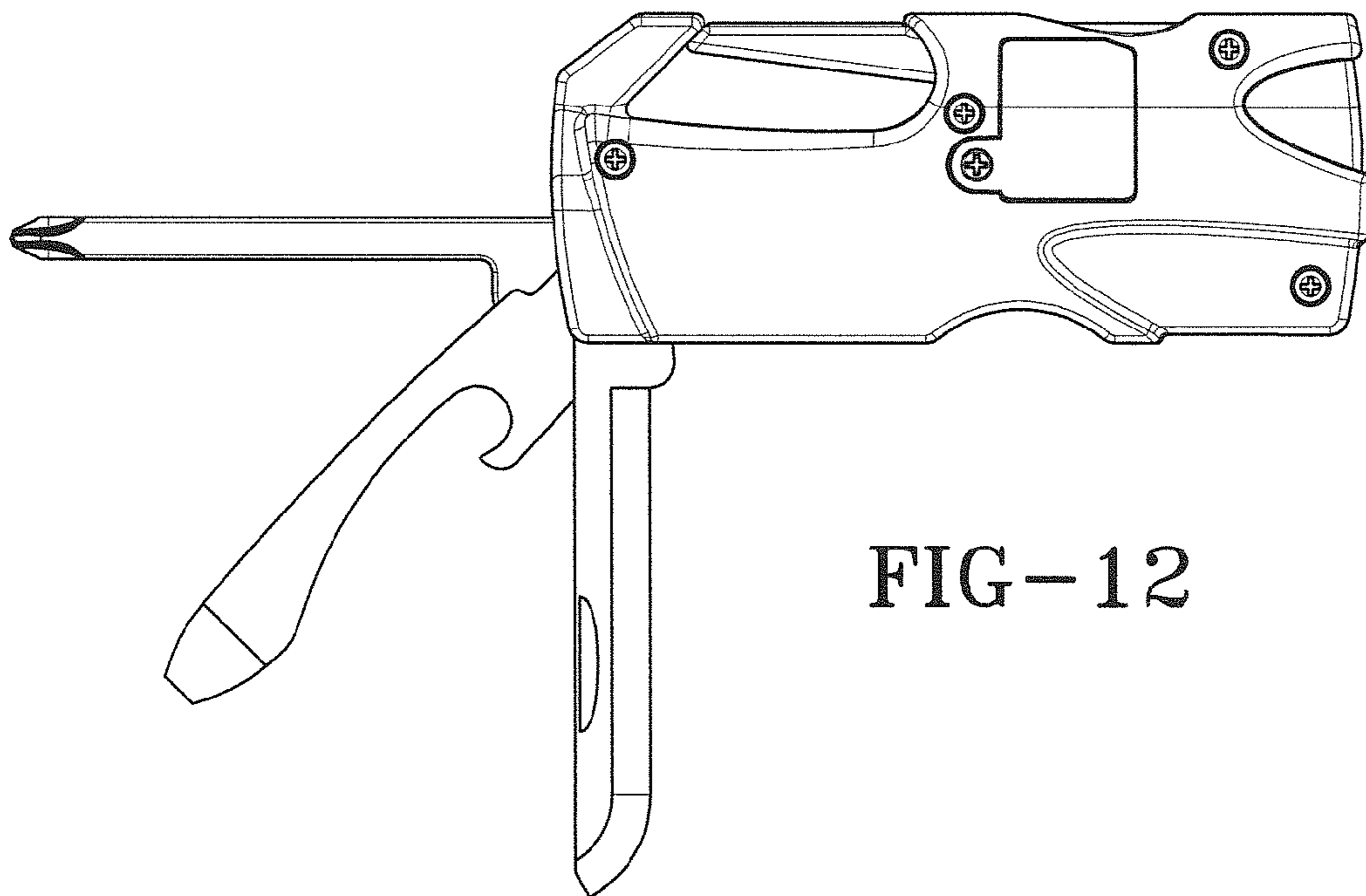


FIG-12

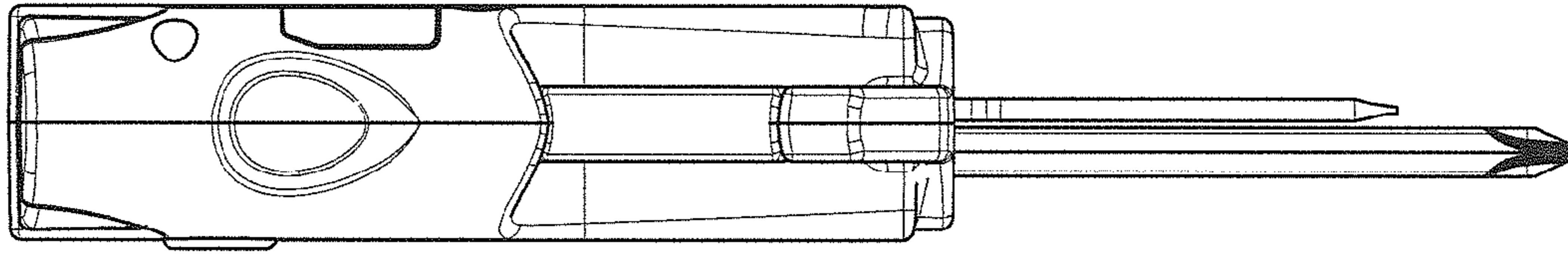


FIG-13

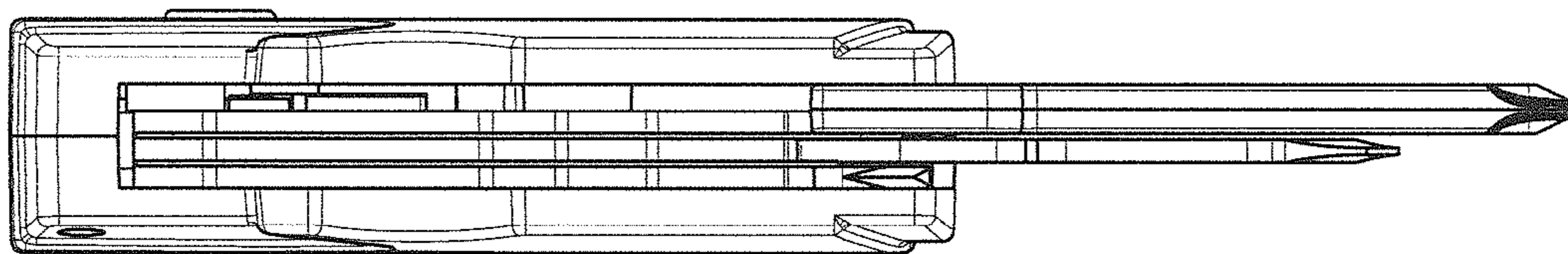


FIG-14

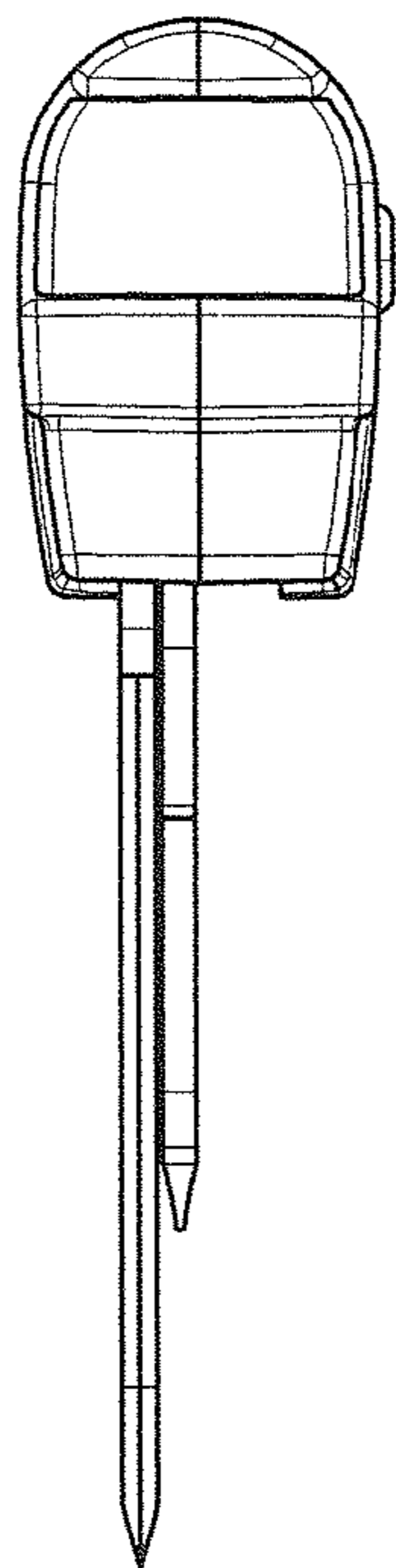


FIG-15

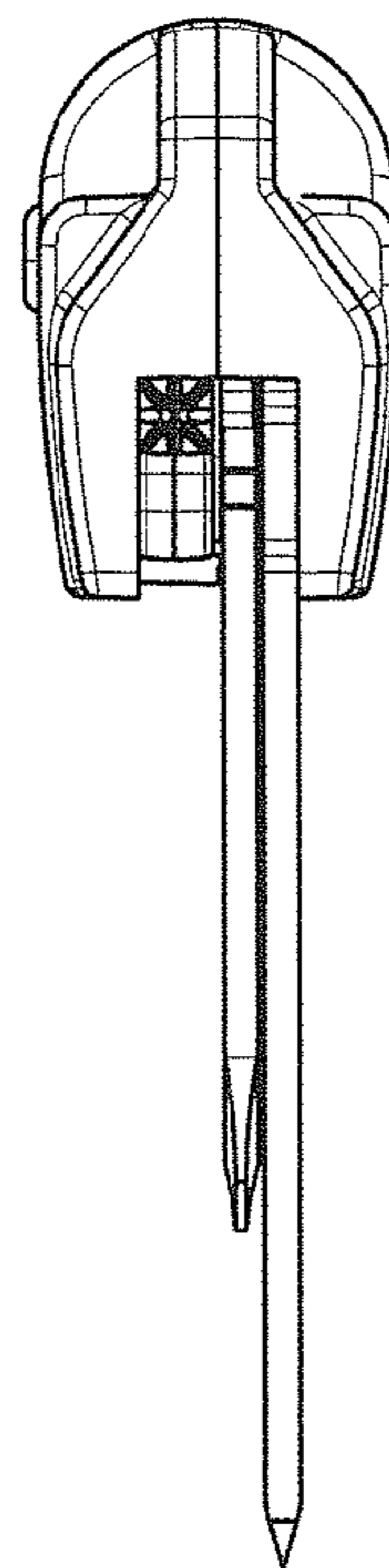


FIG-16