



US00D713232S

(12) **United States Design Patent**  
**Lin et al.**

(10) **Patent No.:** **US D713,232 S**

(45) **Date of Patent:** **\*\* Sep. 16, 2014**

(54) **WISE STAND**

(71) Applicants: **Chang Yi Lin**, Taichung (TW);  
**Chang-Chih Lin**, Taichung (TW)

(72) Inventors: **Chang Yi Lin**, Taichung (TW);  
**Chang-Chih Lin**, Taichung (TW)

(\*\*) Term: **14 Years**

(21) Appl. No.: **29/465,696**

(22) Filed: **Aug. 30, 2013**

(51) **LOC (10) Cl.** ..... **08-05**

(52) **U.S. Cl.**  
USPC ..... **D8/74**

(58) **Field of Classification Search**

USPC ..... D8/71-74, 394, 59; 248/72, 689, 124.2;  
81/487; 269/3, 4, 6, 143, 165, 240,  
269/243, 246-249, 254 R, 147-149; 29/256,  
29/257, 276; 408/103, 104-109

See application file for complete search history.

(56) **References Cited**

**U.S. PATENT DOCUMENTS**

D255,643 S \* 7/1980 Speiser et al. .... D8/74  
D287,457 S \* 12/1986 Listes ..... D8/74  
4,863,151 A \* 9/1989 Justesen ..... D8/74  
D417,599 S \* 12/1999 Wolfe et al. .... D8/74

D420,880 S \* 2/2000 Lavigne et al. .... D8/74  
D421,208 S \* 2/2000 Lavigne et al. .... D8/74  
D436,012 S \* 1/2001 Lavigne et al. .... D8/74  
6,361,034 B1 \* 3/2002 Wolfe ..... 269/8  
D534,049 S \* 12/2006 McElmury ..... D8/71  
D595,102 S \* 6/2009 Francis et al. .... D8/74  
D640,521 S \* 6/2011 Tschida et al. .... D8/74  
D647,381 S \* 10/2011 Lin et al. .... D8/74  
D685,828 S \* 7/2013 Sun ..... D8/74

\* cited by examiner

*Primary Examiner* — David Muller

(74) *Attorney, Agent, or Firm* — Muncy, Geissler, Olds & Lowe, P.C.

(57) **CLAIM**

We claim the ornamental design for a vise stand, as shown and described.

**DESCRIPTION**

FIG. 1 is a perspective view of a vise stand showing our new design;

FIG. 2 is a front elevational view thereof;

FIG. 3 is a rear elevational view thereof;

FIG. 4 is a left side elevational view thereof;

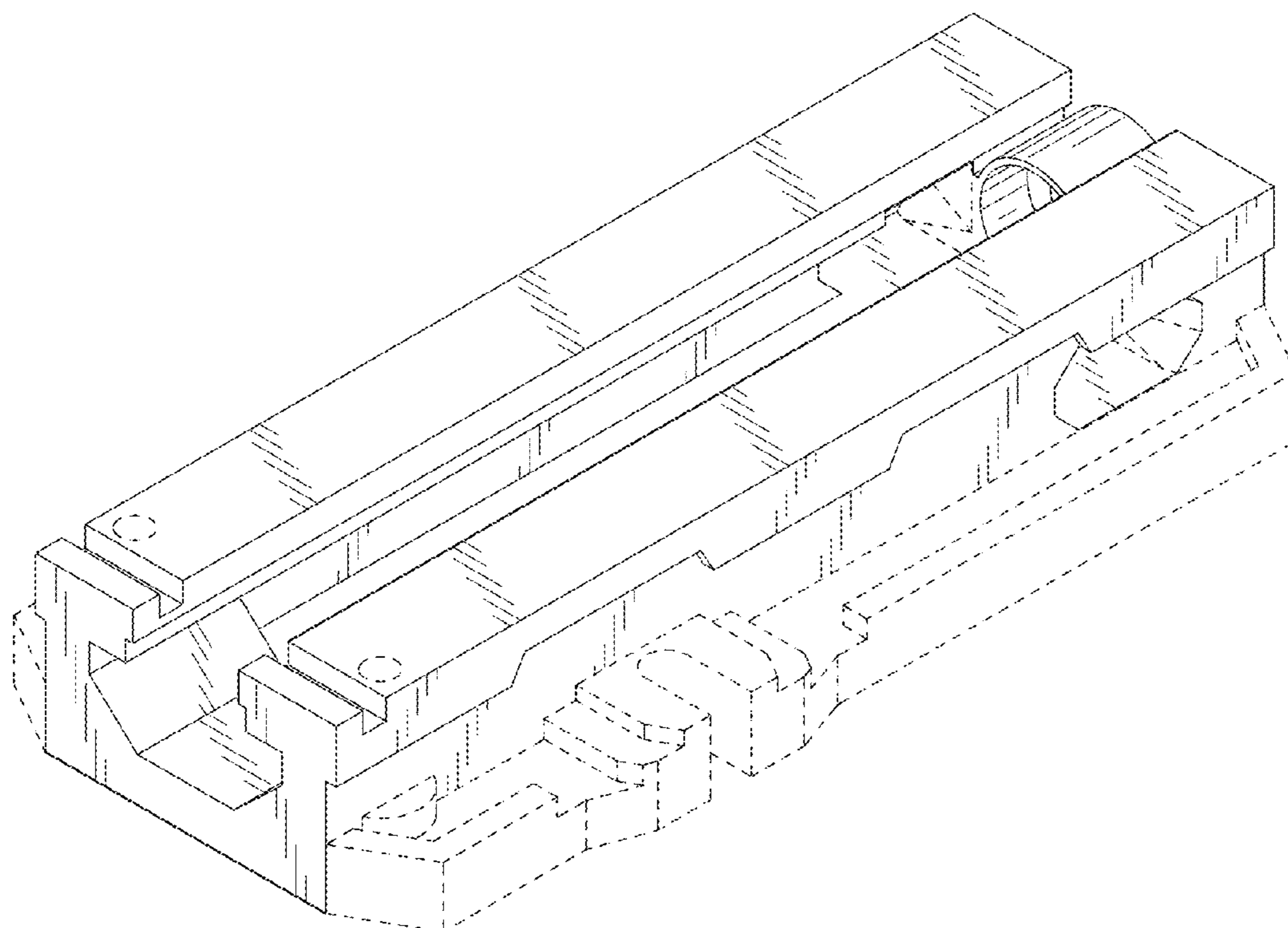
FIG. 5 is a right side elevational view thereof;

FIG. 6 is a top plan view thereof; and,

FIG. 7 is a bottom plan view thereof.

The broken line showing is for the purpose of illustrating environmental structure and forms no part of the claimed design.

**1 Claim, 5 Drawing Sheets**



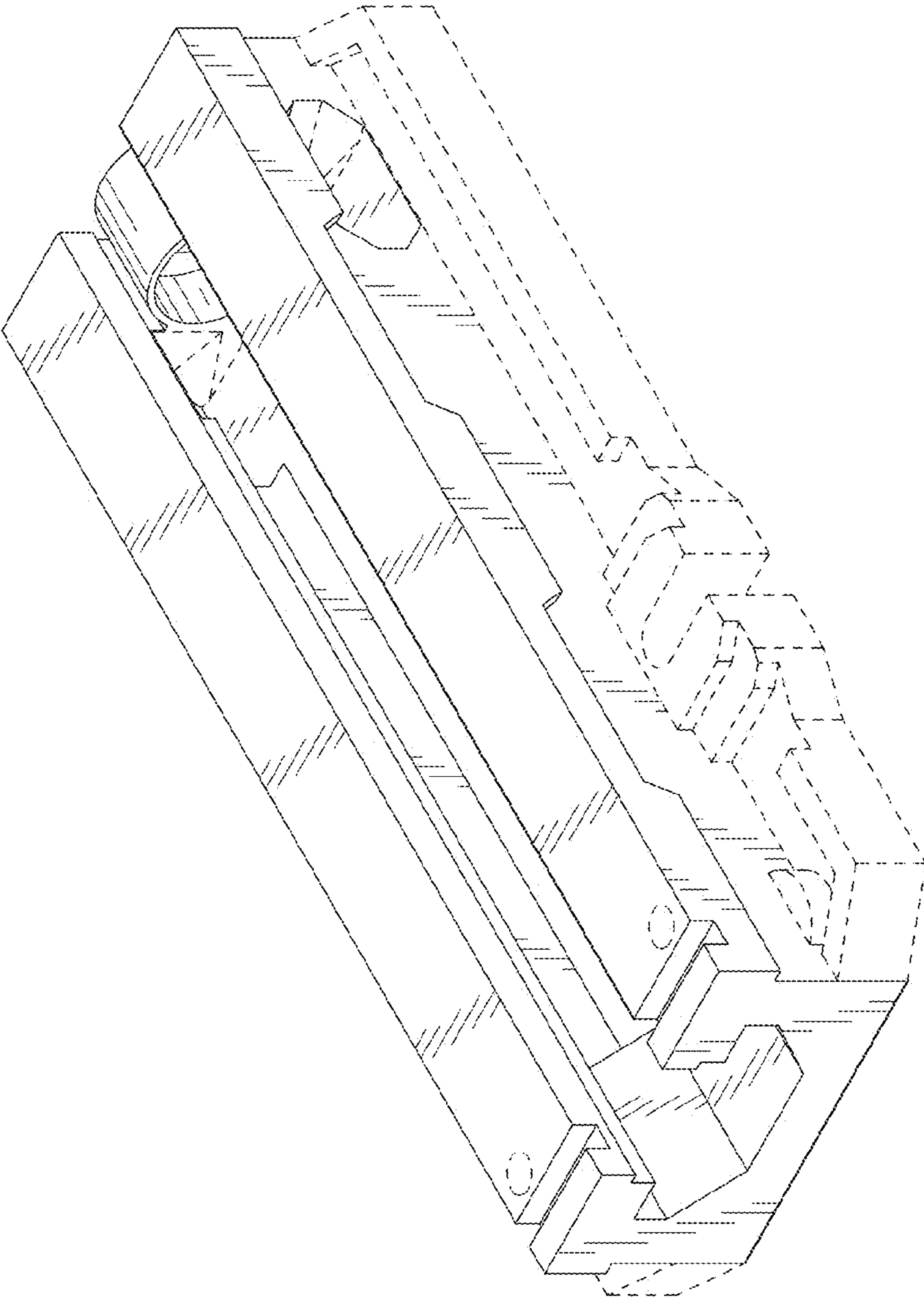


FIG. 1

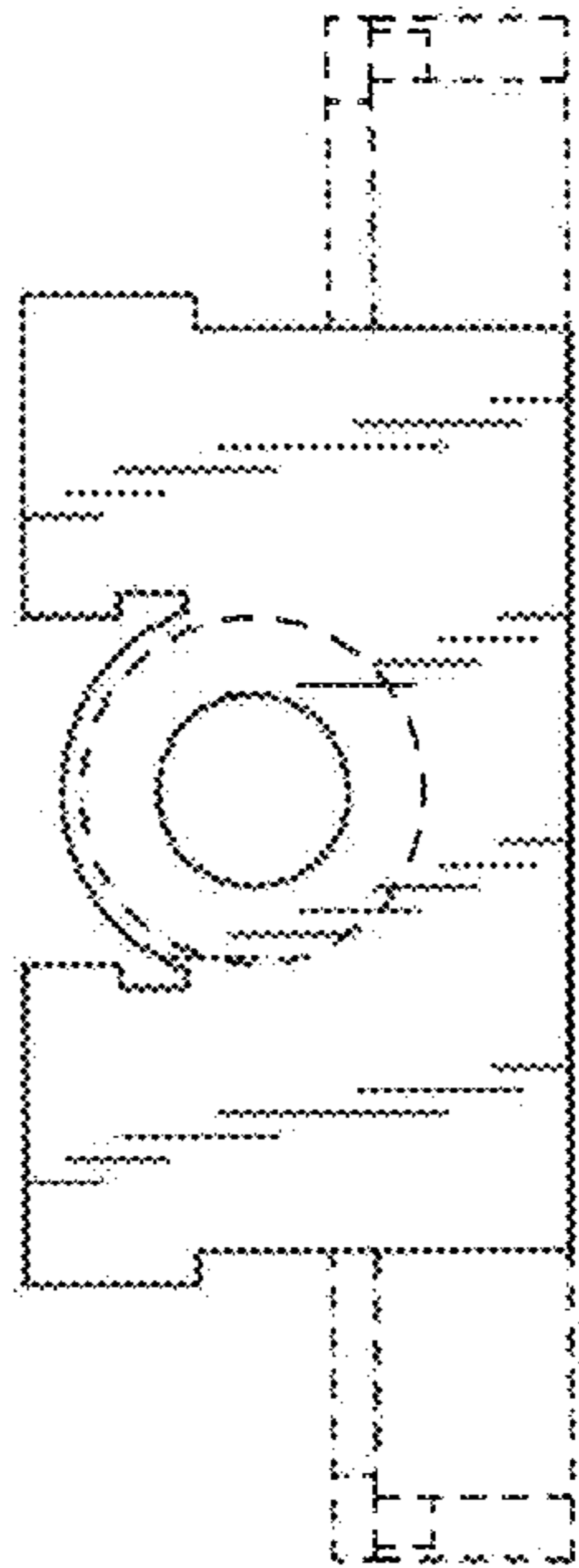


FIG. 2

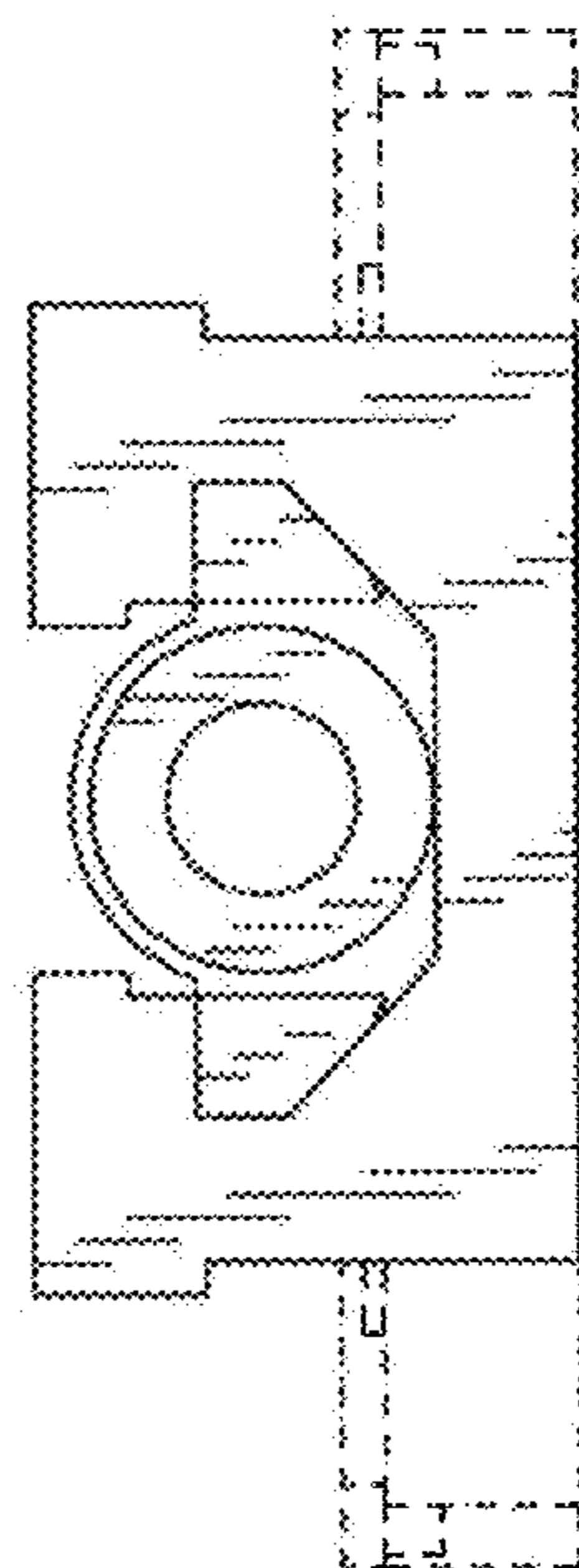


FIG. 3

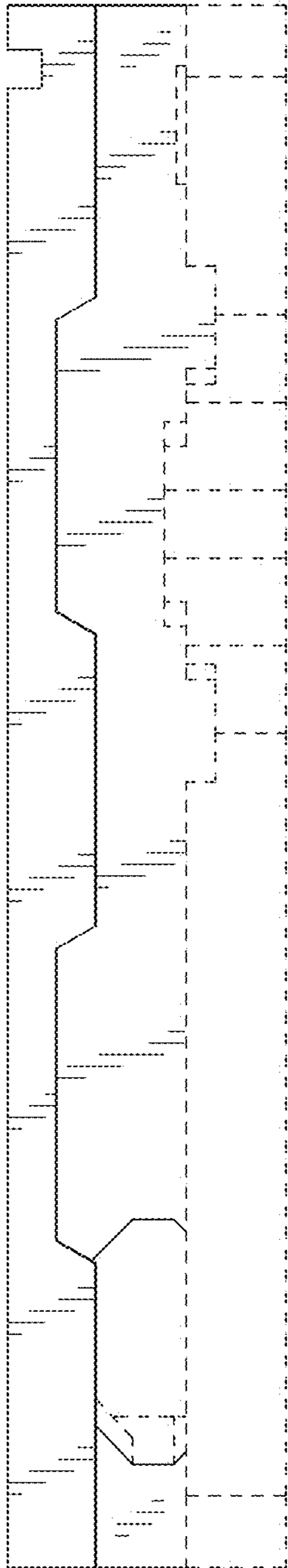


FIG. 4

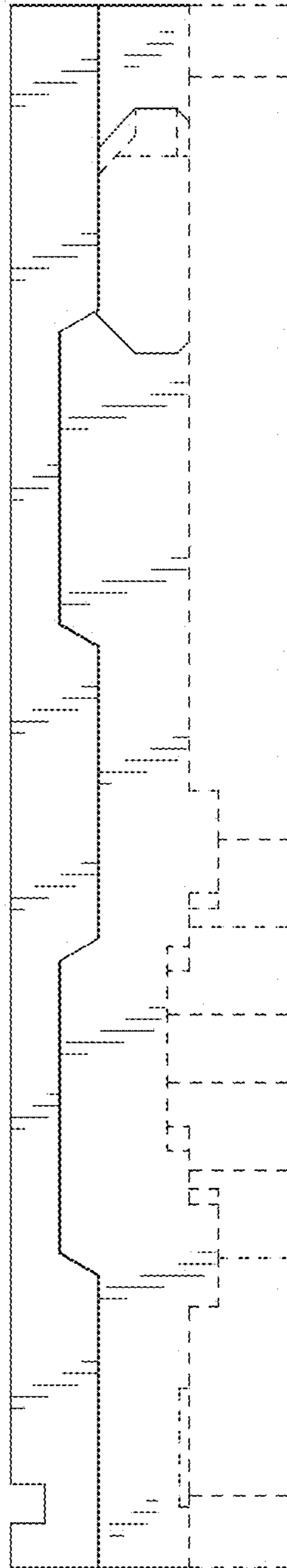


FIG. 5

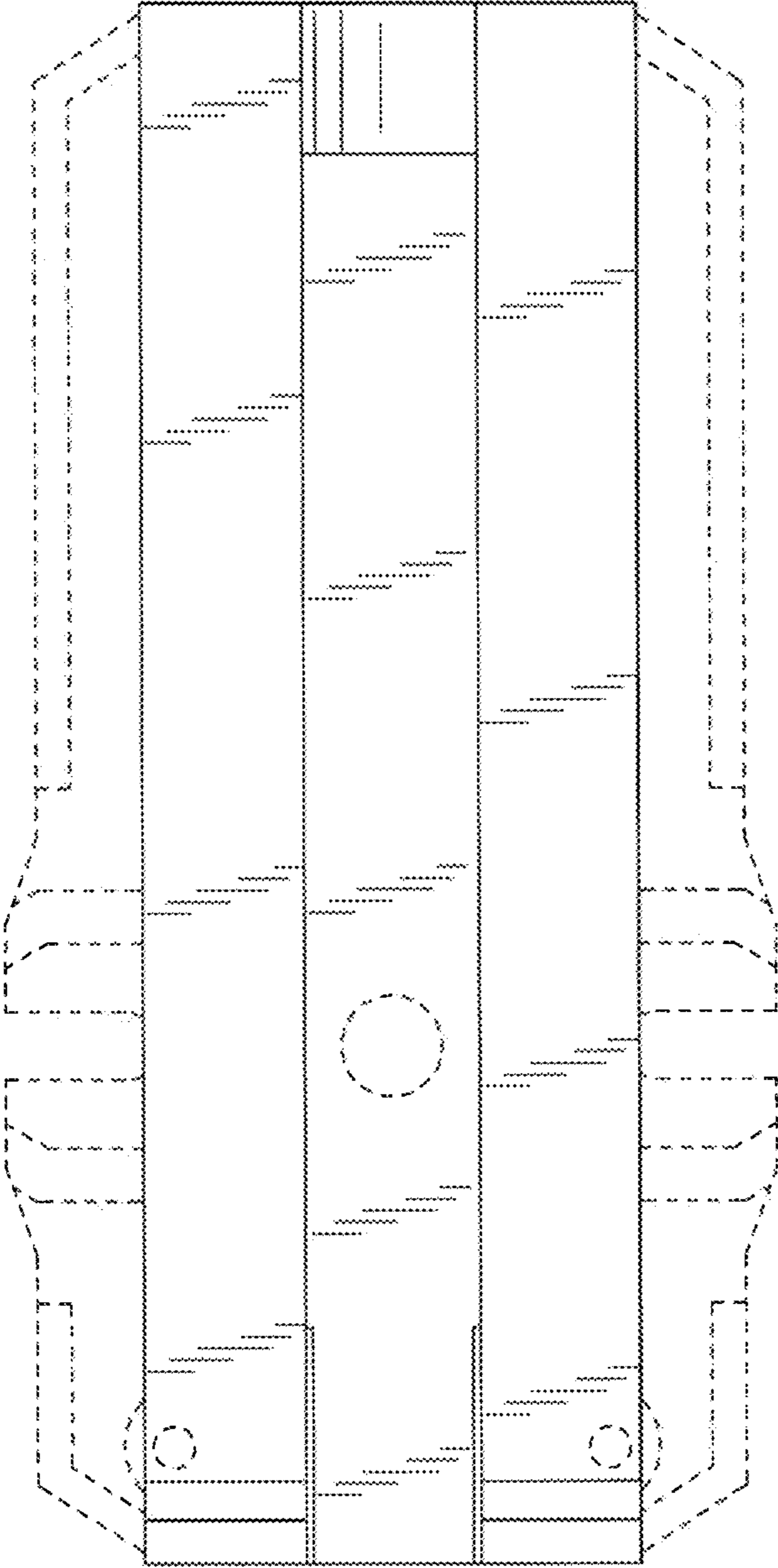


FIG. 6

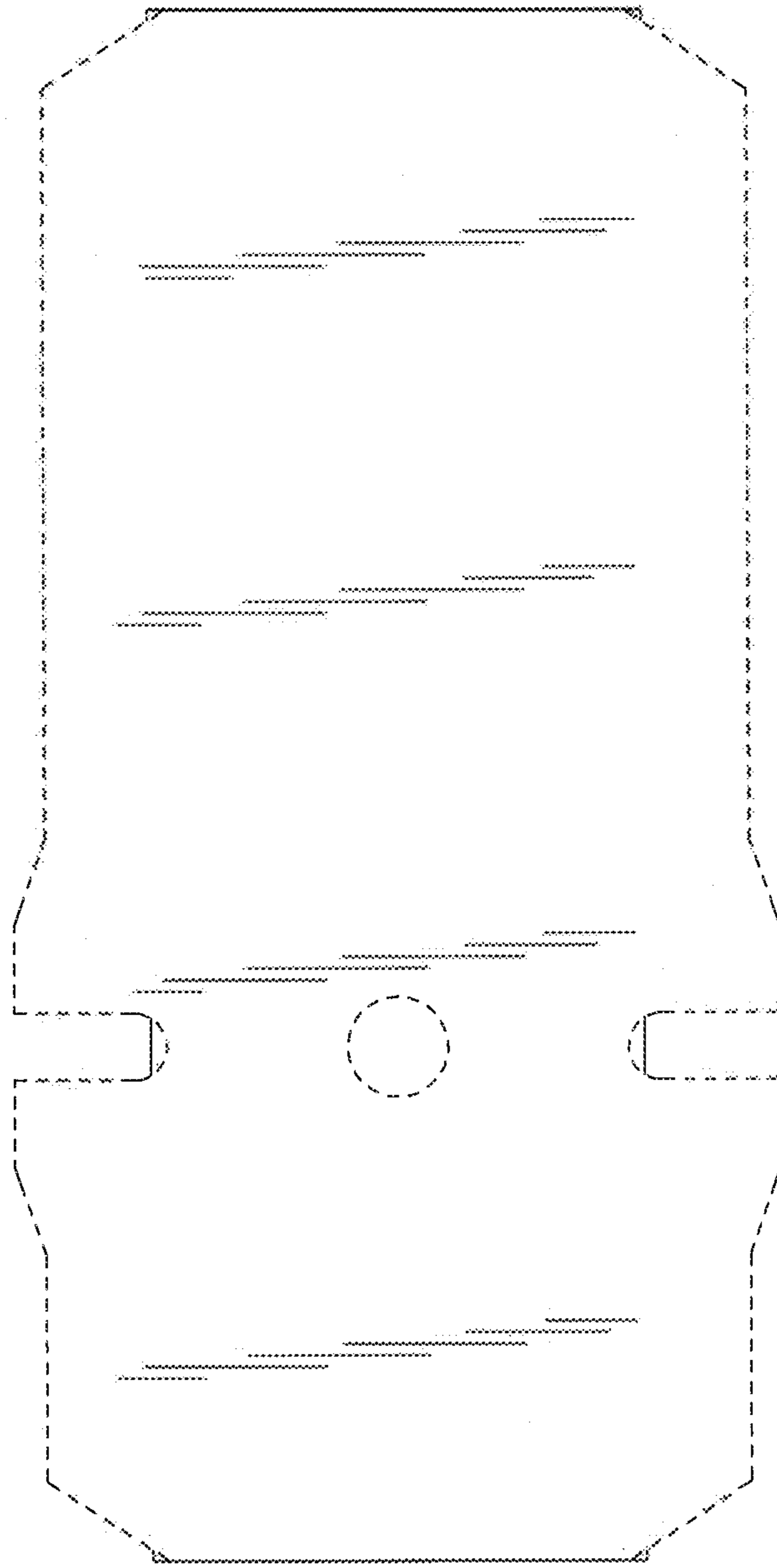


FIG. 7