

US00D713229S

(12) **United States Design Patent**  
**Caglar**

(10) **Patent No.:** **US D713,229 S**

(45) **Date of Patent:** **\*\* Sep. 16, 2014**

(54) **TACKING TOOL**

(71) Applicant: **Stanley Black & Decker, Inc.**, New Britain, CT (US)

(72) Inventor: **Tolga Caglar**, Warwick, RI (US)

(73) Assignee: **Stanley Black & Decker Inc.**, New Britain, CT (US)

(\*\*) Term: **14 Years**

(21) Appl. No.: **29/441,263**

(22) Filed: **Jan. 3, 2013**

(51) **LOC (10) Cl.** ..... **19-02**

(52) **U.S. Cl.**  
USPC ..... **D8/49**

(58) **Field of Classification Search**  
USPC ..... D8/48, 49, 50, 61, 68, 69, 70; D19/72, D19/73, 65, 69; D21/532; D24/145; 7/158, 7/160; 227/4, 5, 6, 7, 8, 120, 127, 128, 227/131, 132, 134, 144, 156, 175.1; 606/139, 143, 153, 219  
See application file for complete search history.

(56) **References Cited**

**U.S. PATENT DOCUMENTS**

D284,446 S \* 7/1986 Rosenblad ..... D8/49  
6,355,892 B1 \* 3/2002 Marks ..... 200/332.2

D553,459 S \* 10/2007 Shor ..... D8/49  
D568,130 S \* 5/2008 Arns ..... D8/49  
D600,085 S \* 9/2009 Mandel et al. .... D8/49  
D620,330 S \* 7/2010 Krumpe et al. .... D8/49  
D630,073 S \* 1/2011 Krumpe et al. .... D8/49  
D655,588 S \* 3/2012 Pennington et al. .... D8/49  
D668,125 S \* 10/2012 Pennington et al. .... D8/49  
D689,753 S \* 9/2013 Yoo et al. .... D8/49

\* cited by examiner

*Primary Examiner* — Austin Murphy

(74) *Attorney, Agent, or Firm* — Rhonda L. Barton

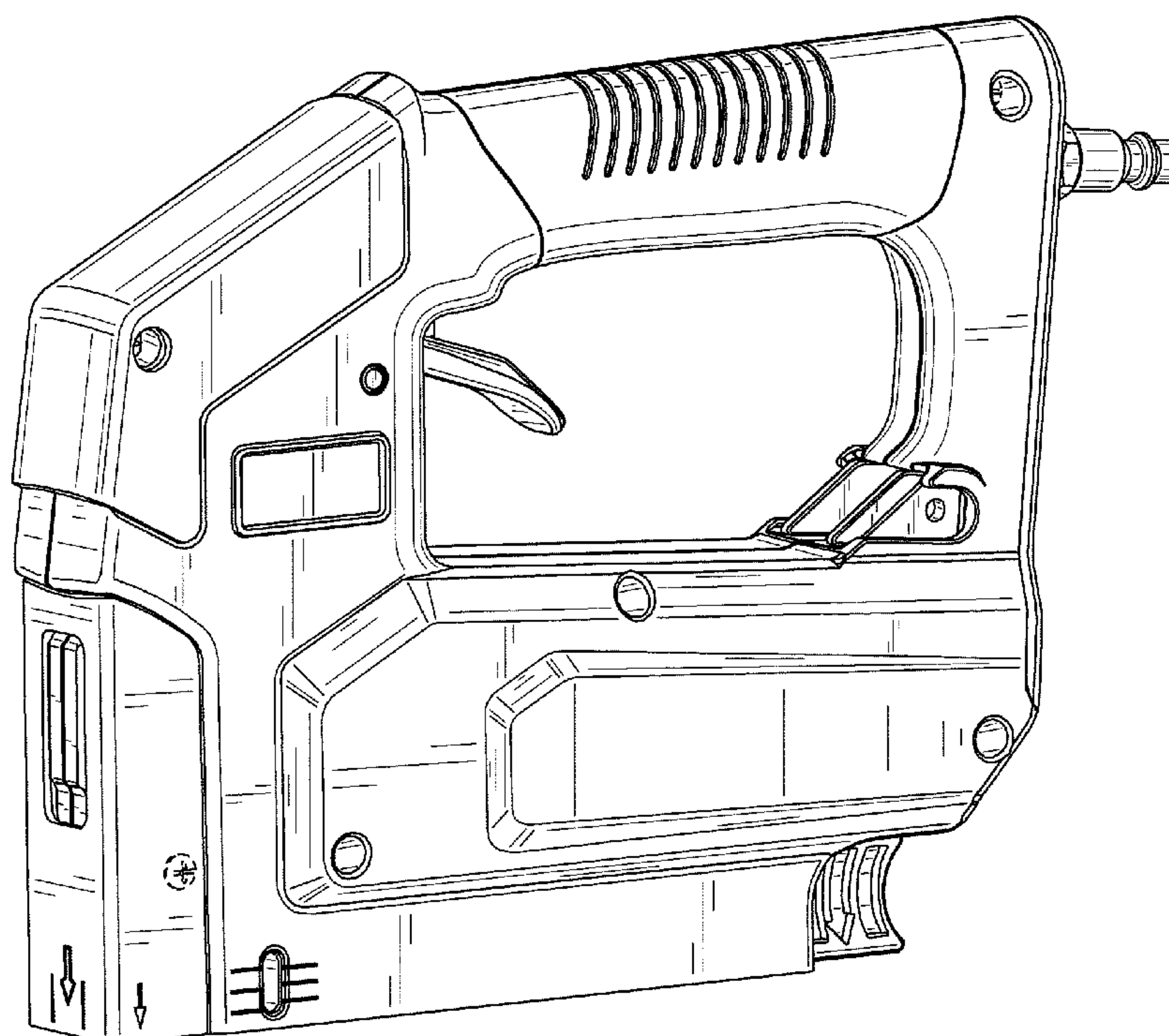
(57) **CLAIM**

The ornamental design for a tacking tool, as shown and described.

**DESCRIPTION**

FIG. 1 is a right perspective view of the tacking tool.  
FIG. 2 is a front view thereof.  
FIG. 3 is a rear view thereof.  
FIG. 4 is a left side view thereof.  
FIG. 5 is a right side view thereof.  
FIG. 6 is a top view thereof; and,  
FIG. 7 is a bottom view thereof.  
The broken lines in FIG. 7 are included for the purpose of illustrating portions of the tacking tool that form no part of the claimed design.

**1 Claim, 7 Drawing Sheets**



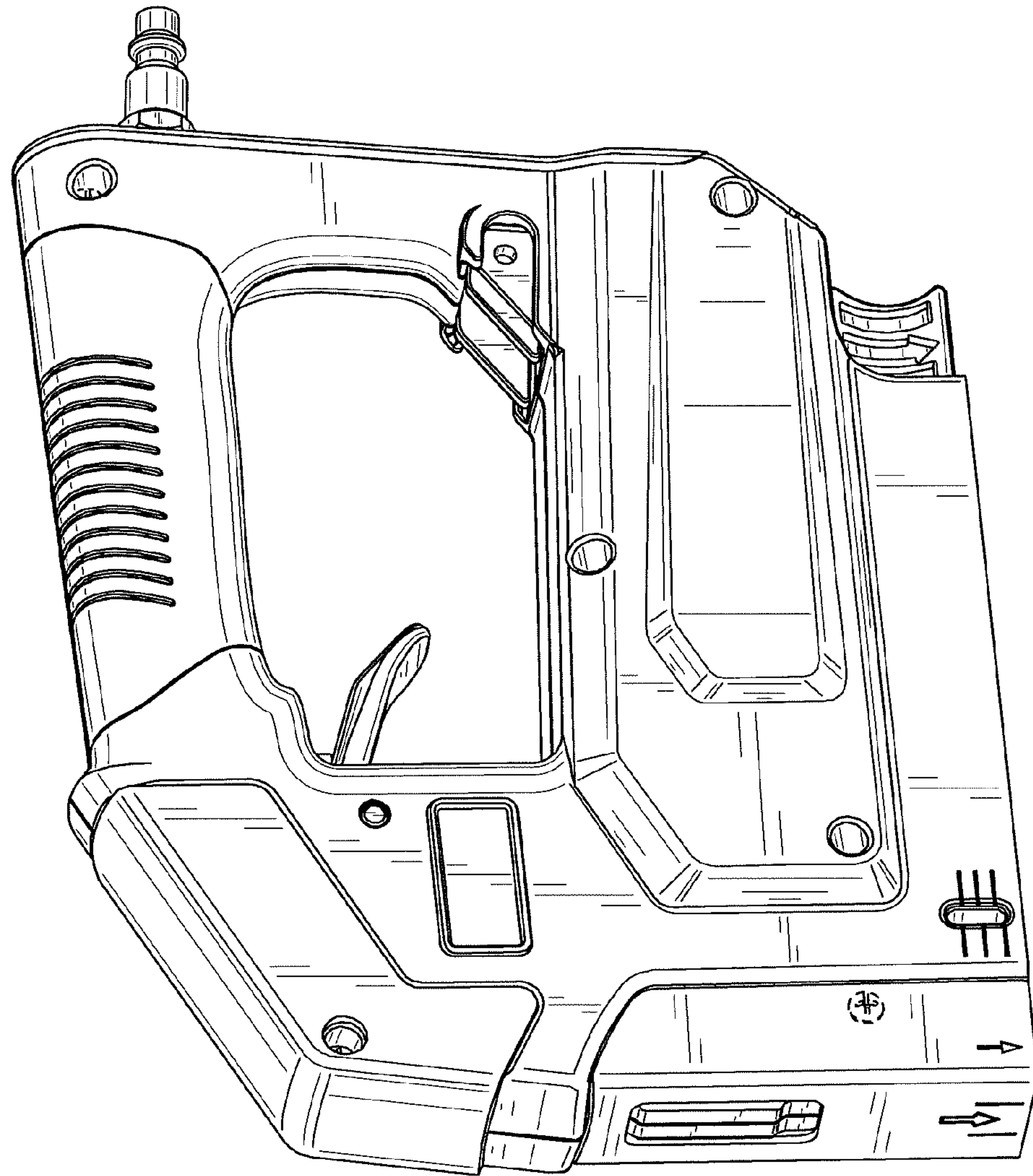


FIG. 1

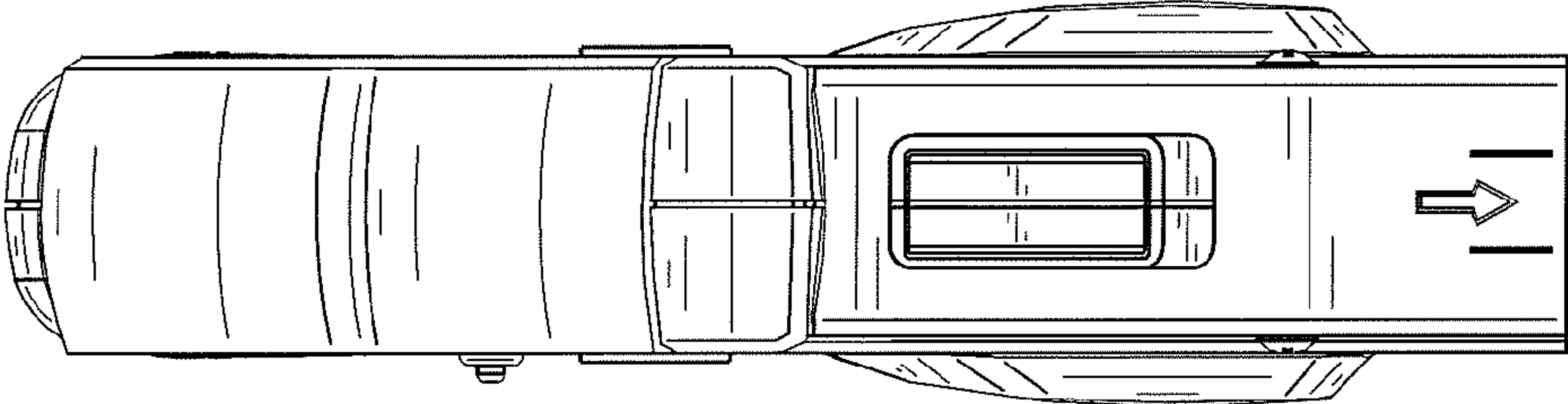


FIG. 2

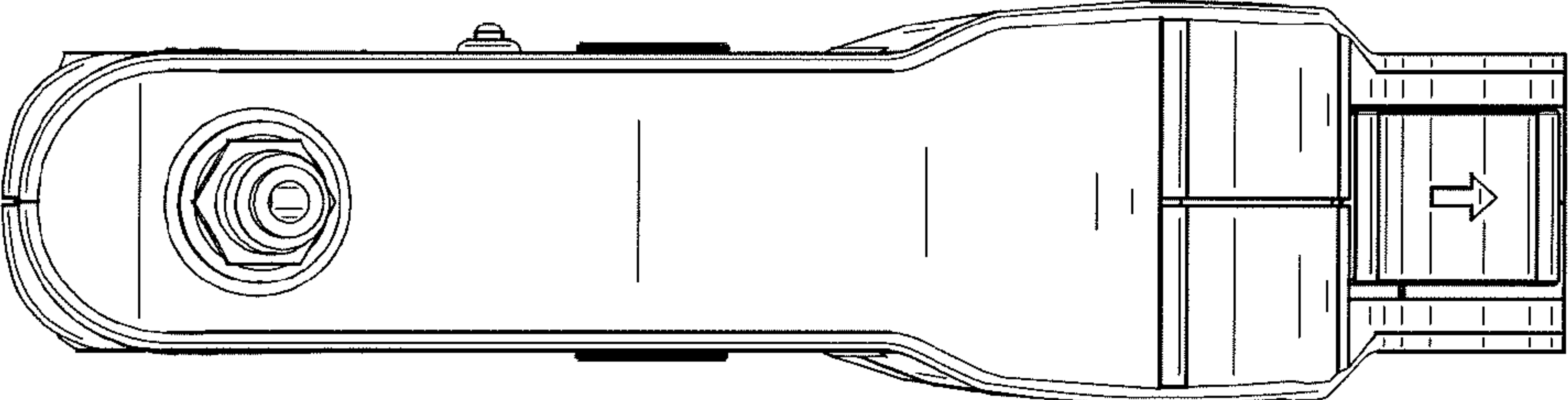


FIG. 3

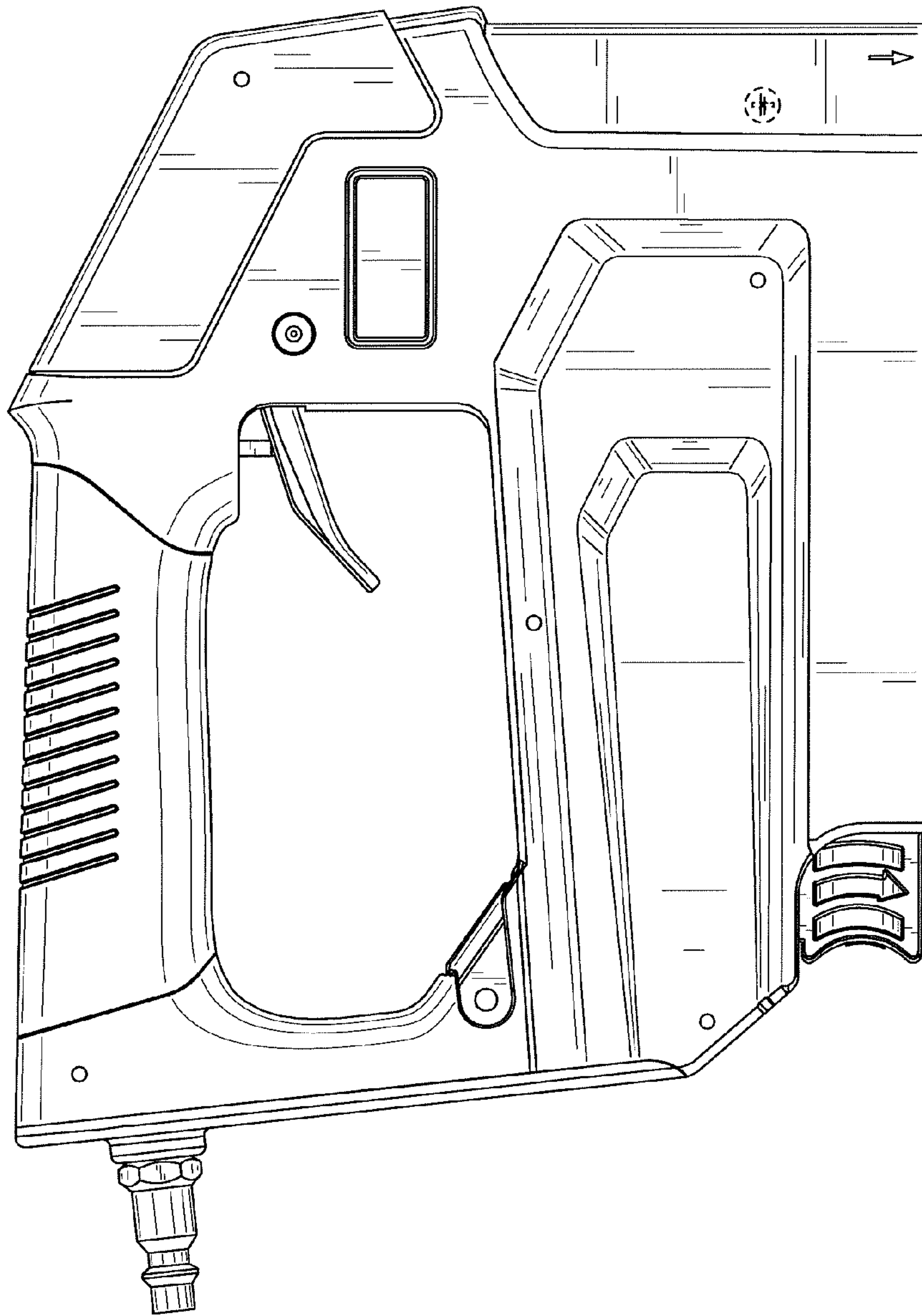


FIG. 4



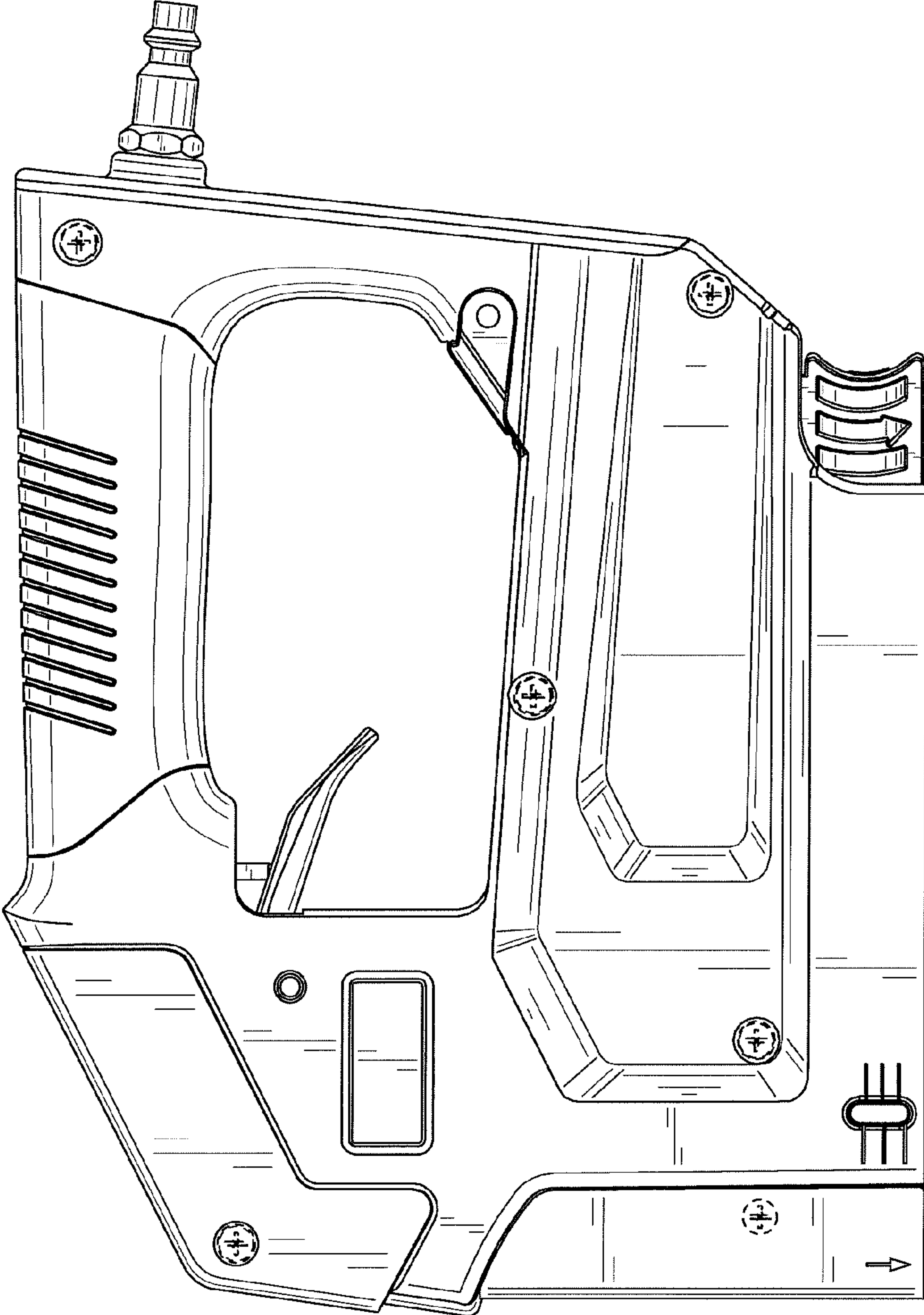


FIG. 5

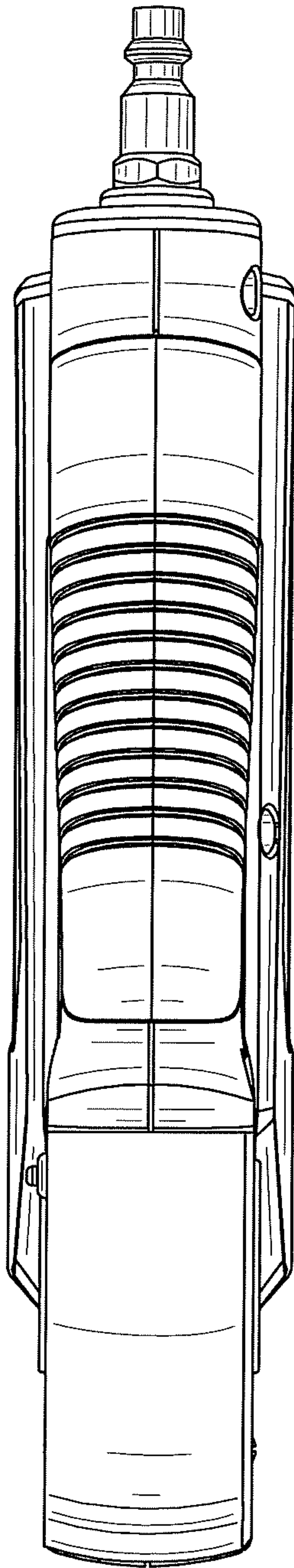


FIG. 6

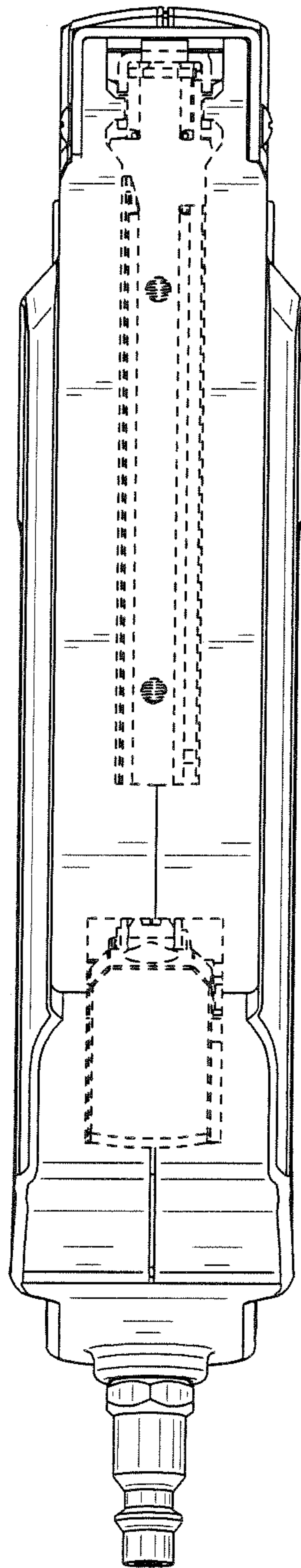


FIG. 7