



US00D713227S

(12) **United States Design Patent**
Chang

(10) **Patent No.:** **US D713,227 S**

(45) **Date of Patent:** **** Sep. 16, 2014**

(54) **WRENCH**

(71) Applicant: **Chih-Min Chang**, Xiushui Township,
Changhua County (TW)

(72) Inventor: **Chih-Min Chang**, Xiushui Township,
Changhua County (TW)

(**) Term: **14 Years**

(21) Appl. No.: **29/476,469**

(22) Filed: **Dec. 13, 2013**

(51) **LOC (10) Cl.** **08-05**

(52) **U.S. Cl.**
USPC **D8/28**

(58) **Field of Classification Search**
USPC D8/17, 21-29, 97, 107; 81/60, 177.1,
81/177.85, 121.1, 124.3, 165-170, 110.1,
81/176.2, 124.6, 176.1, 176.15, 177.2,
81/186; 16/110.1; D15/144.1; 219/75,
219/227, 229, 121.16, 121.18
See application file for complete search history.

(56) **References Cited**

U.S. PATENT DOCUMENTS

D616,274 S * 5/2010 Macor D8/28
D632,535 S * 2/2011 Kriz et al. D8/28

D636,648 S * 4/2011 Kriz D8/28
D639,625 S * 6/2011 Chang D8/28
D640,518 S * 6/2011 Kriz et al. D8/28
8,069,753 B2 * 12/2011 Kriz et al. 81/60
D654,337 S * 2/2012 Huang D8/25
D658,459 S * 5/2012 Meholovitch D8/25
D661,166 S * 6/2012 Christopher et al. D8/25
8,312,794 B2 * 11/2012 Hobden et al. 81/63
2011/0232424 A1 * 9/2011 Chang 81/60

* cited by examiner

Primary Examiner — Randall Gholson

(74) *Attorney, Agent, or Firm* — Muncy, Geissler, Olds &
Lowe, P.C.

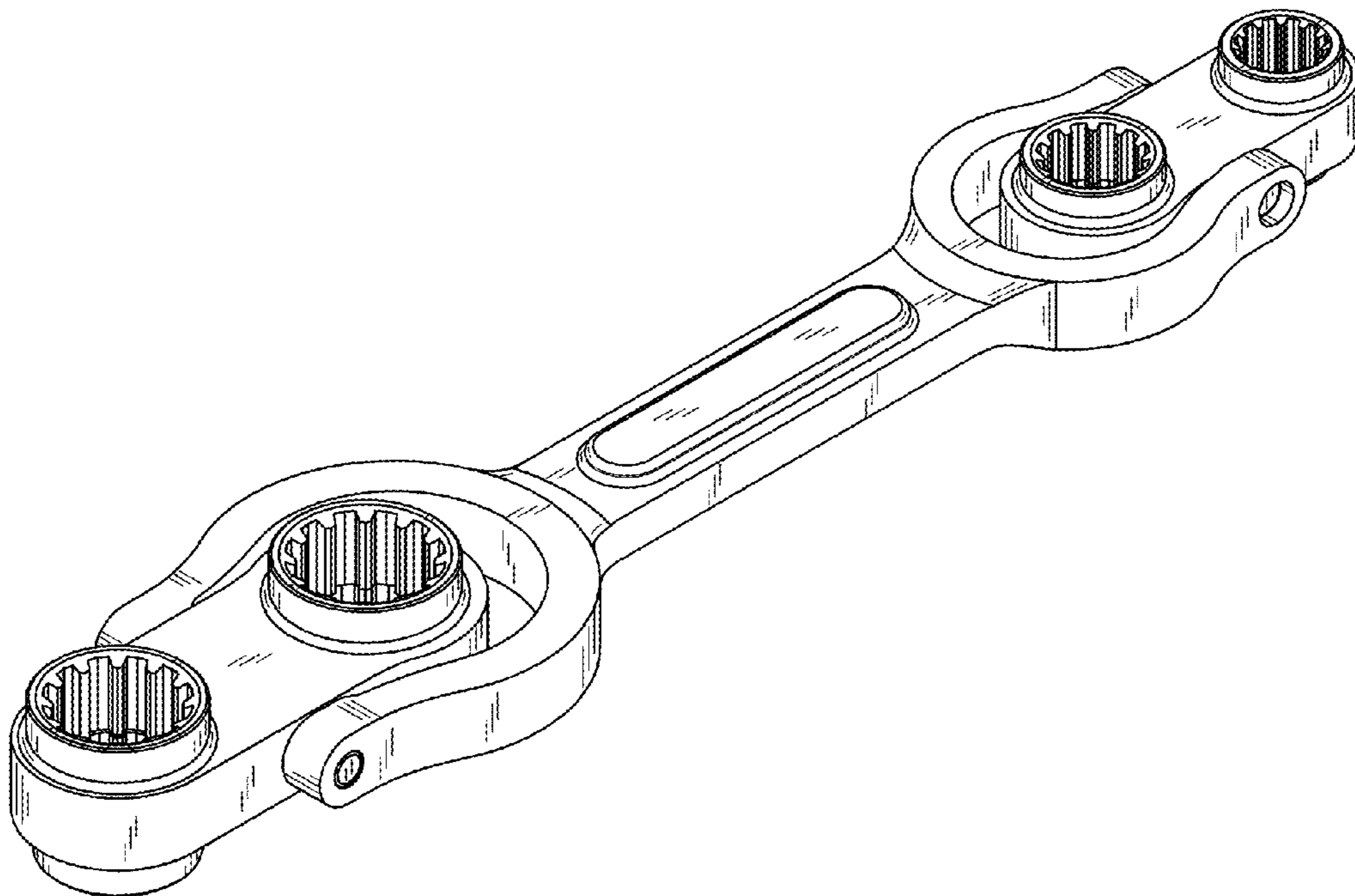
(57) **CLAIM**

The ornamental design for a wrench, as shown and described.

DESCRIPTION

FIG. 1 shows a perspective view of the present design.
FIG. 2 shows a front view of the present design.
FIG. 3 shows a rear view of the present design.
FIG. 4 shows a left side view of the present design.
FIG. 5 shows a right side view of the present design.
FIG. 6 shows a top view of the present design; and,
FIG. 7 shows a bottom view of the present design.

1 Claim, 3 Drawing Sheets



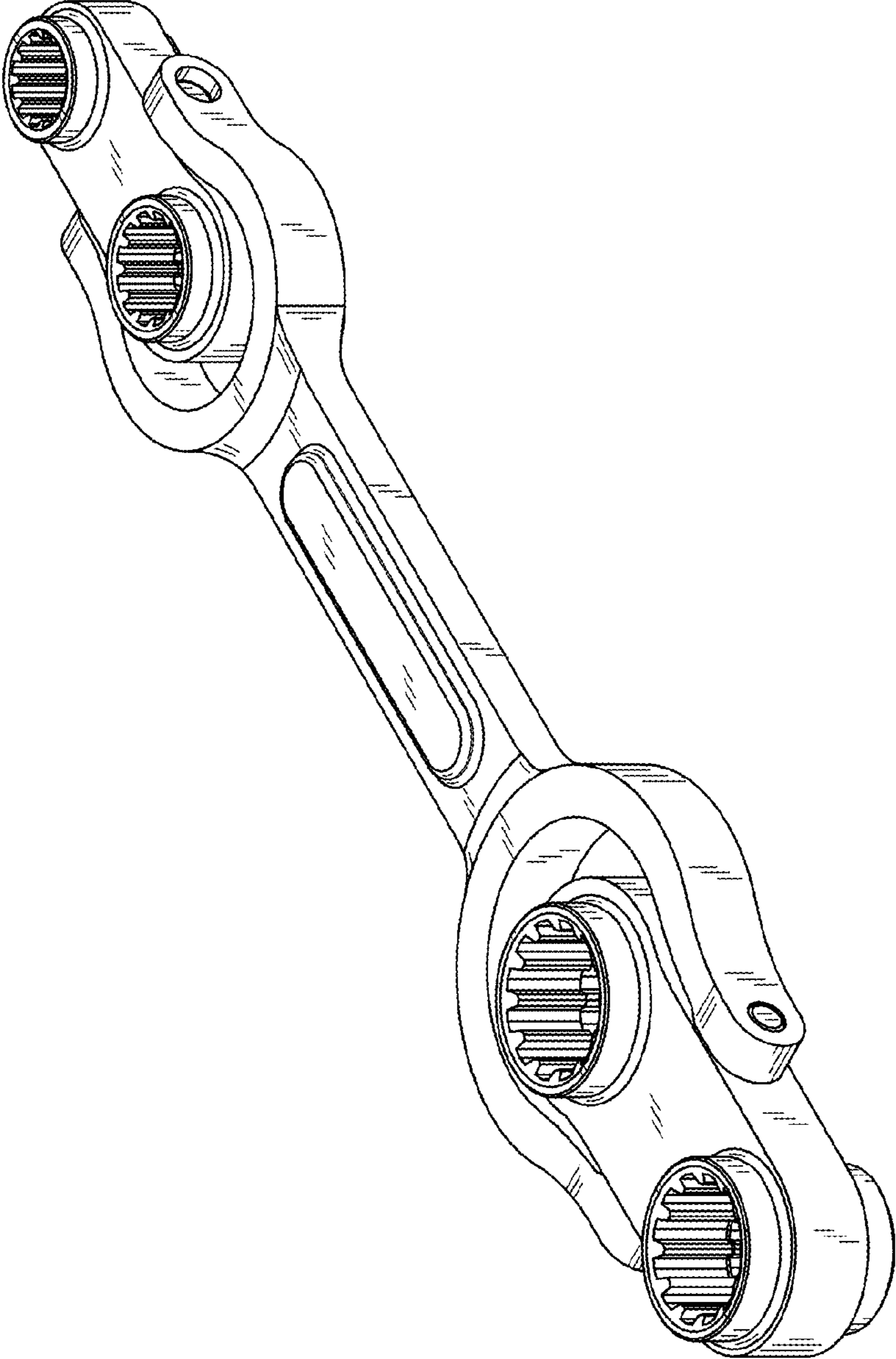


FIG. 1

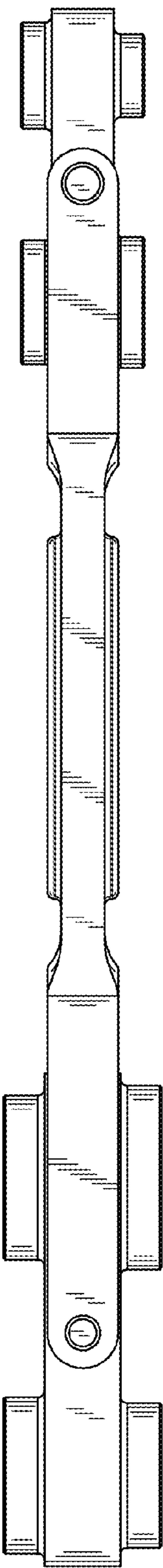


FIG. 2

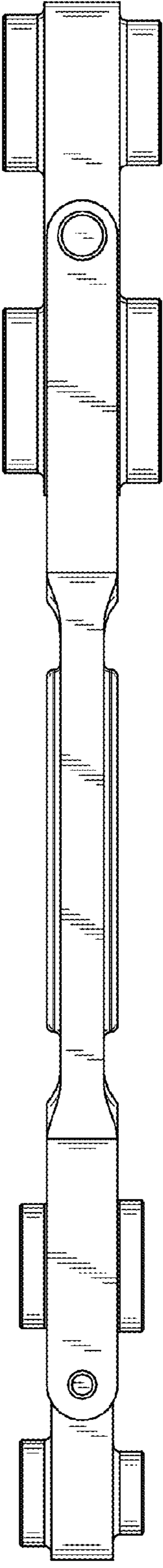


FIG. 3

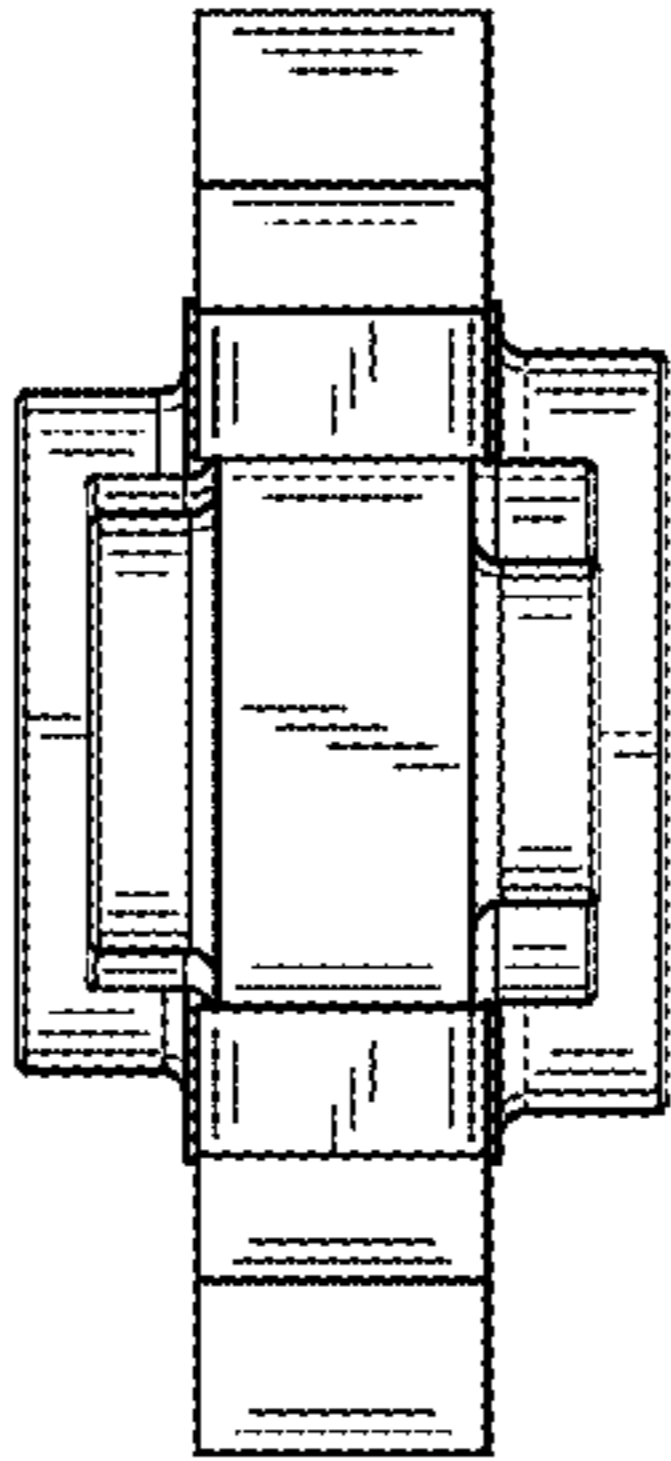


FIG. 4

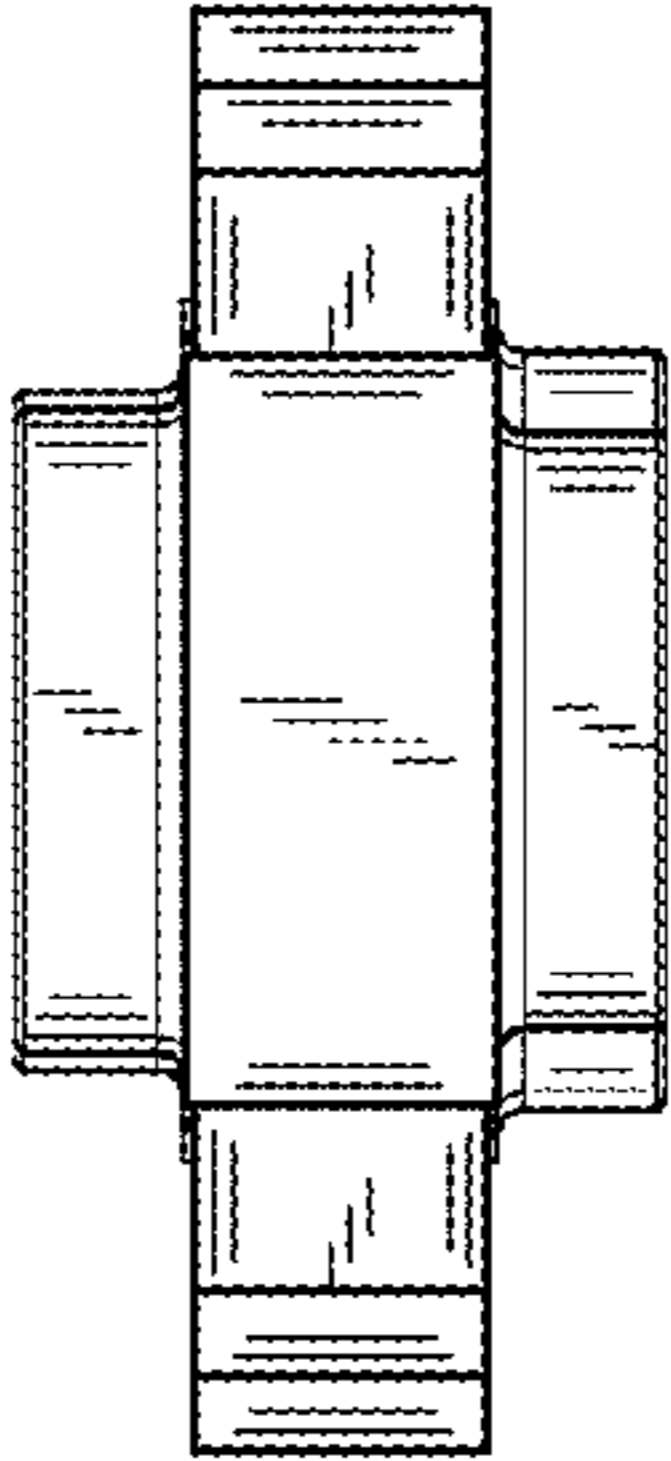


FIG. 5

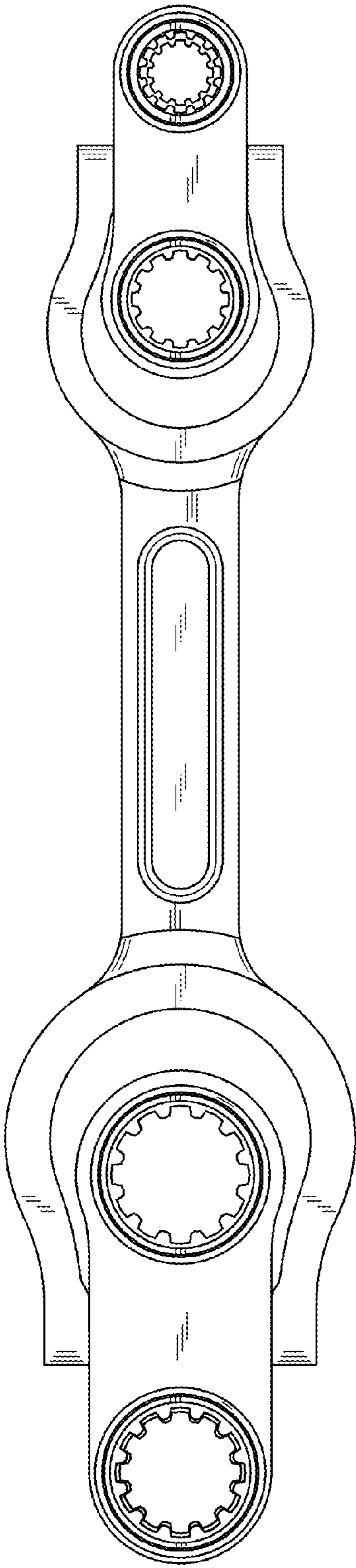


FIG. 6

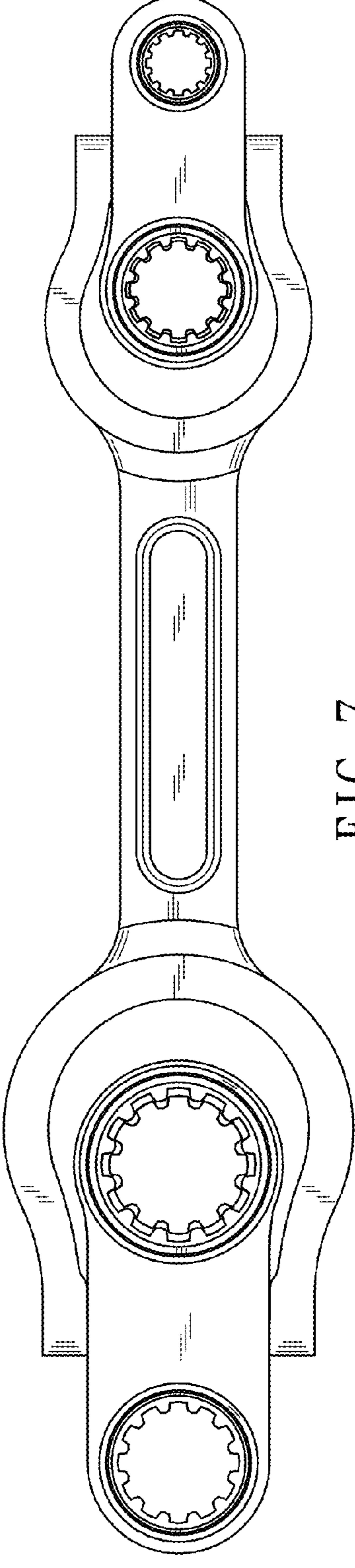


FIG. 7