



US00D713226S

(12) **United States Design Patent**
Chang

(10) **Patent No.:** **US D713,226 S**

(45) **Date of Patent:** **** Sep. 16, 2014**

(54) **WRENCH**

(71) Applicant: **Chih-Min Chang**, Xiushui Township,
Changhua County (TW)

(72) Inventor: **Chih-Min Chang**, Xiushui Township,
Changhua County (TW)

(**) Term: **14 Years**

(21) Appl. No.: **29/476,463**

(22) Filed: **Dec. 13, 2013**

(51) **LOC (10) Cl.** **08-05**

(52) **U.S. Cl.**
USPC **D8/28**

(58) **Field of Classification Search**
USPC D8/27, 28; 81/35, 177.75, 177.8,
81/177.85, 177.9, 415-424, 177.1;
16/110.1
See application file for complete search history.

(56) **References Cited**

U.S. PATENT DOCUMENTS

1,389,200 A * 8/1921 Linde 81/177.9
2,619,862 A * 12/1952 Trypanis 81/119

2,628,522 A * 2/1953 Kraft 81/125.1
D351,541 S * 10/1994 Smith D8/28
7,066,059 B1 * 6/2006 Hsieh 81/177.7
D601,871 S * 10/2009 Murray D8/28
D639,625 S * 6/2011 Chang D8/28
D661,166 S * 6/2012 Christopher et al. D8/25
D687,692 S * 8/2013 Chen D8/28

* cited by examiner

Primary Examiner — Randall Gholson

(74) *Attorney, Agent, or Firm* — Muncy, Geissler, Olds &
Lowe, P.C.

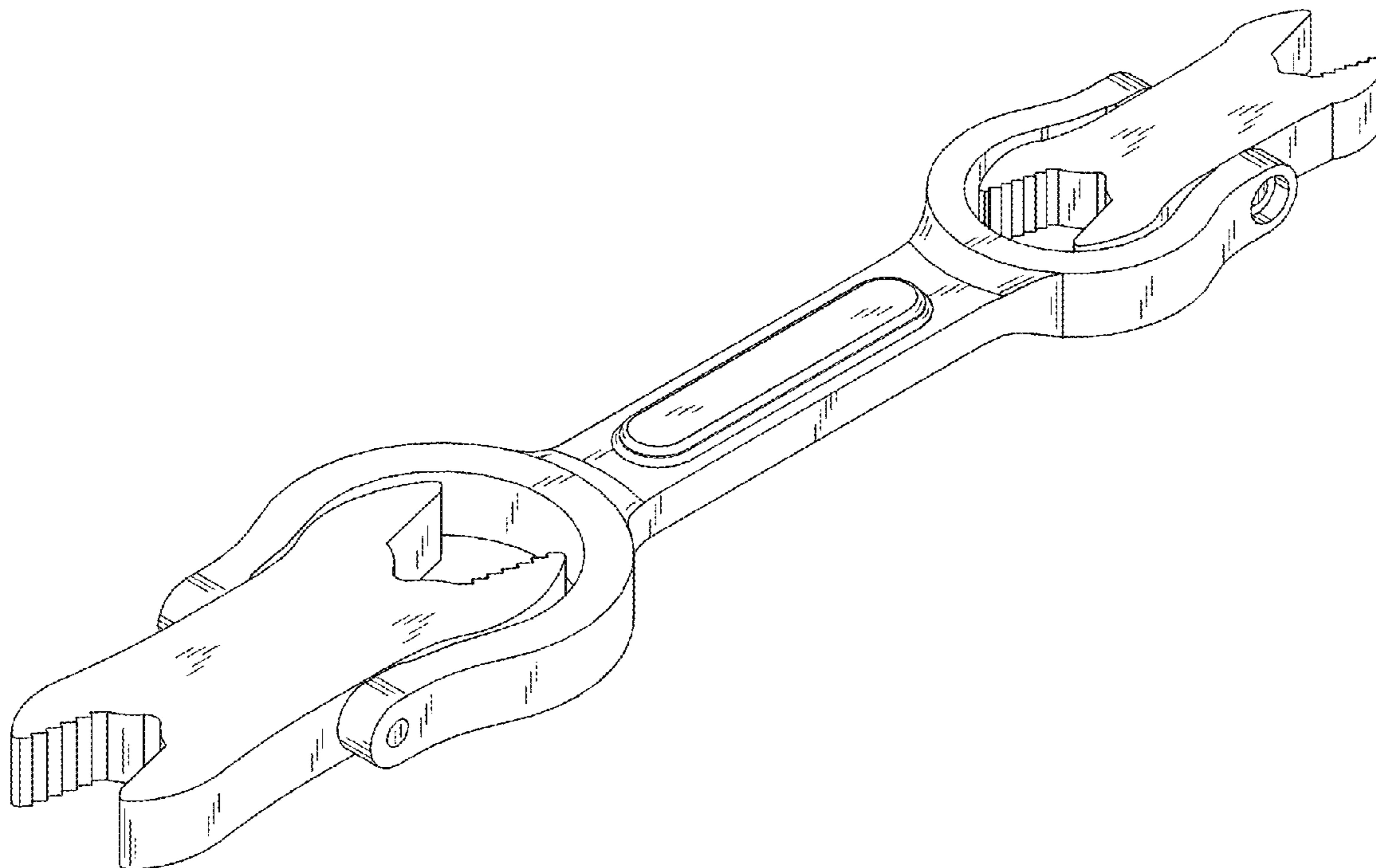
(57) **CLAIM**

The ornamental design for a wrench, as shown and described.

DESCRIPTION

FIG. 1 shows a perspective view of the present design.
FIG. 2 shows a front view of the present design.
FIG. 3 shows a rear view of the present design.
FIG. 4 shows a left side view of the present design.
FIG. 5 shows a right side view of the present design.
FIG. 6 shows a top view of the present design; and,
FIG. 7 shows a bottom view of the present design.

1 Claim, 3 Drawing Sheets



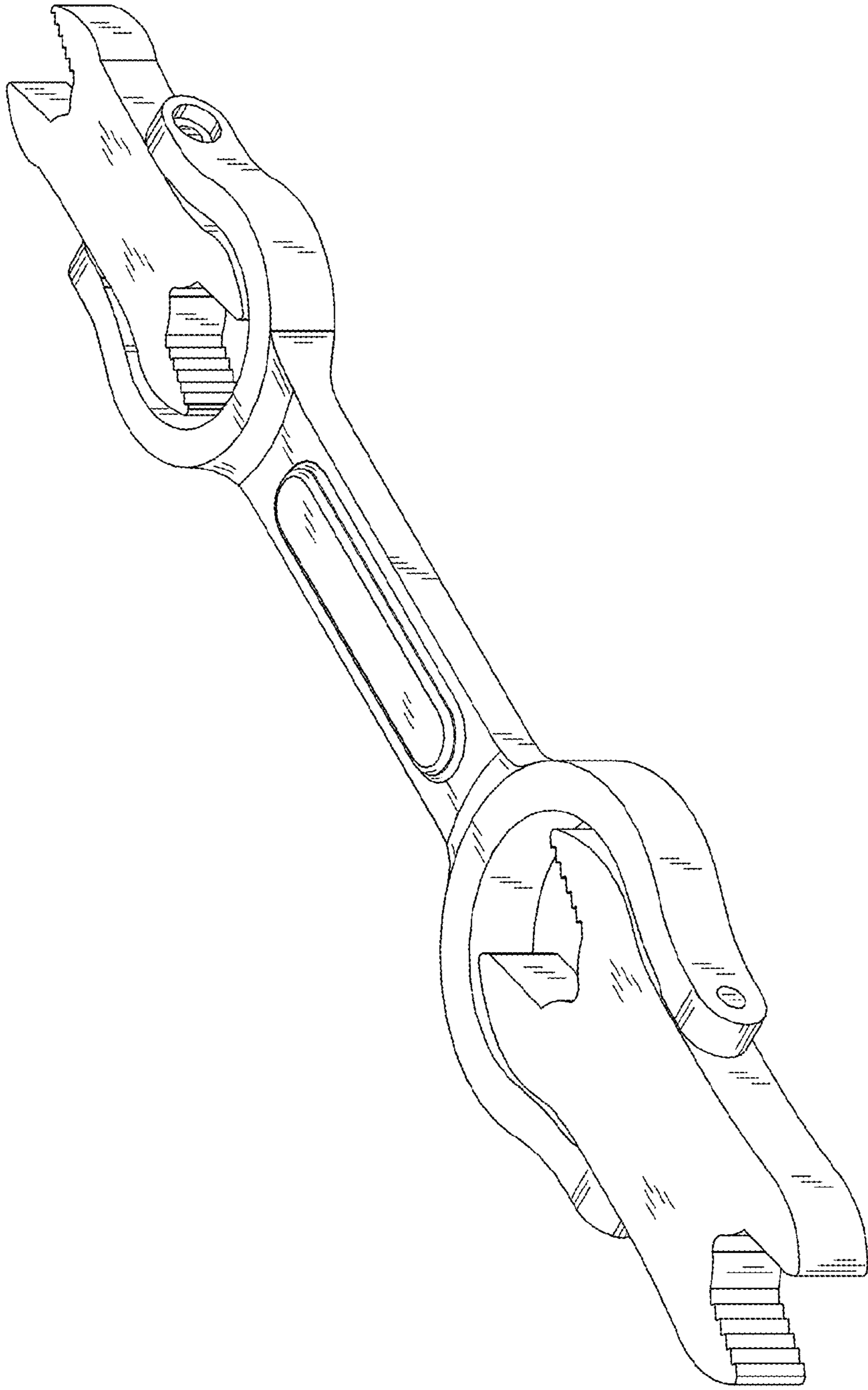


FIG. 1

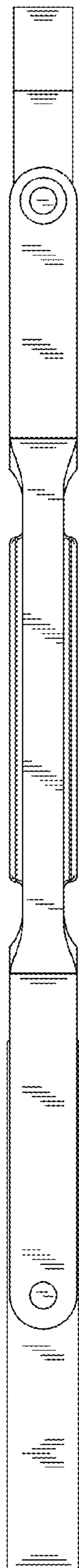


FIG. 2

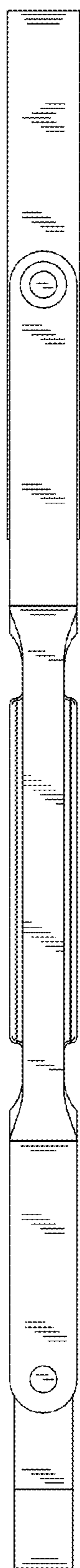


FIG. 3

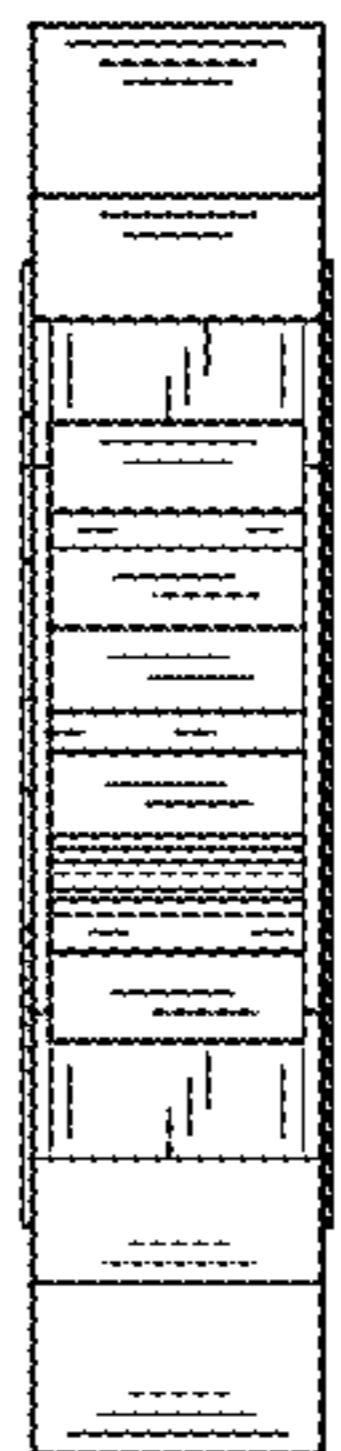


FIG. 4

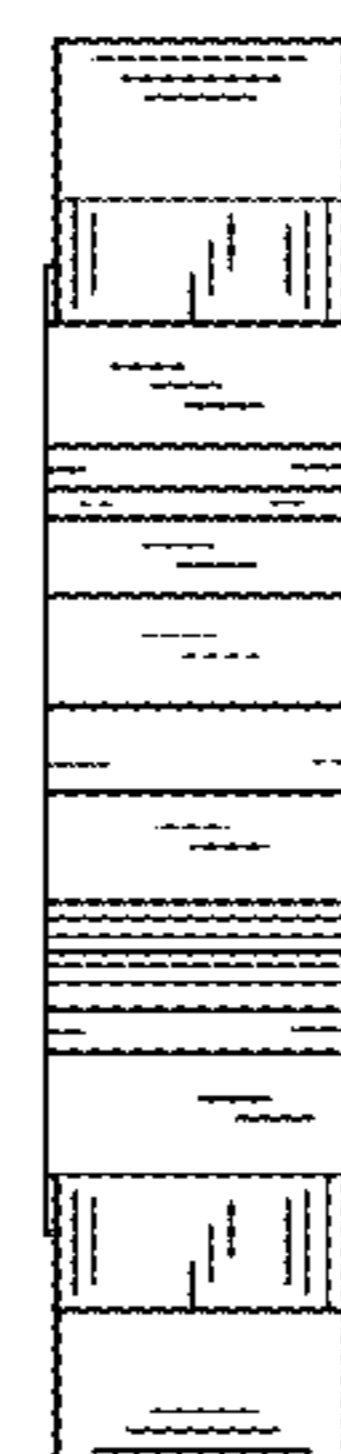


FIG. 5

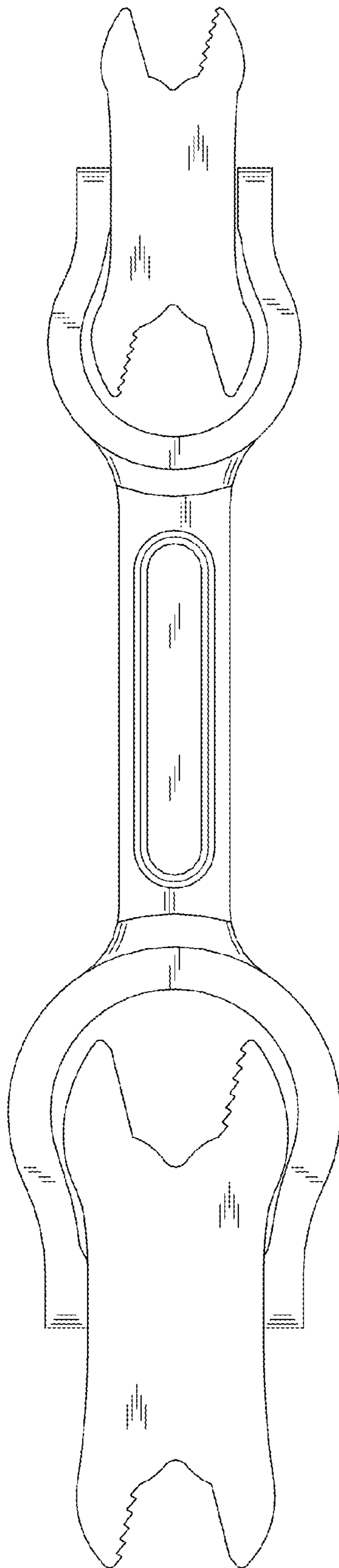


FIG. 6

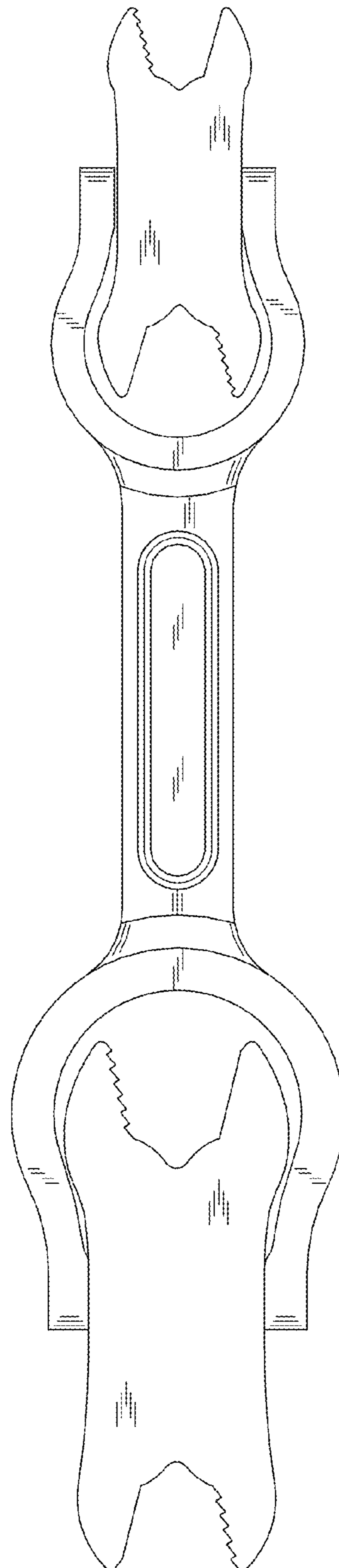


FIG. 7