



US00D713223S

(12) **United States Design Patent**
Herman et al.

(10) **Patent No.:** **US D713,223 S**

(45) **Date of Patent:** **** Sep. 16, 2014**

(54) **DISPENSING TOOL**

(71) Applicants: **Timm Herman**, Ellicotville, NY (US);
Kevin Whited, Ellicotville, NY (US)

(72) Inventors: **Timm Herman**, Ellicotville, NY (US);
Kevin Whited, Ellicotville, NY (US)

(73) Assignee: **Meritool, LLC**, Ellicotville, NY (US)

(**) Term: **14 Years**

(21) Appl. No.: **29/445,334**

(22) Filed: **Feb. 11, 2013**

Related U.S. Application Data

(63) Continuation of application No. 13/193,725, filed on Jul. 29, 2011, now Pat. No. 8,393,501, which is a continuation of application No. 11/973,242, filed on Oct. 5, 2007, now Pat. No. 8,011,538.

(51) **LOC (10) Cl.** **08-05**

(52) **U.S. Cl.**
USPC **D8/14.1**

(58) **Field of Classification Search**
USPC D8/14.1; 222/92, 105, 145.1, 160, 325,
222/326, 327, 386, 391, 567; 74/141.5
See application file for complete search history.

(56) **References Cited**

U.S. PATENT DOCUMENTS

| | | | | |
|-----------|-----|---------|-------------|------------|
| 3,750,905 | A | 8/1973 | Wolfrom | |
| 4,135,644 | A * | 1/1979 | Pacetti | 222/81 |
| 4,260,076 | A | 4/1981 | Bergman | |
| 4,583,934 | A | 4/1986 | Hata et al. | |
| 4,669,636 | A | 6/1987 | Miyata | |
| 4,802,607 | A * | 2/1989 | Johnson | 222/82 |
| 5,076,473 | A | 12/1991 | Steiner | |
| 5,211,312 | A * | 5/1993 | Chang | 222/153.01 |
| 5,244,406 | A | 9/1993 | Vranish | |
| 5,370,271 | A * | 12/1994 | Segatz | 222/95 |

| | | | | |
|-----------|-----|---------|---------------|--------|
| 5,375,740 | A * | 12/1994 | Umetsu et al. | 222/95 |
| 5,450,988 | A | 9/1995 | Jerdee | |
| 5,494,368 | A | 2/1996 | Matthews | |
| 5,556,009 | A | 9/1996 | Motzko | |
| 5,775,539 | A | 7/1998 | Bates et al. | |
| 5,873,970 | A | 2/1999 | Konuma et al. | |
| 5,887,765 | A | 3/1999 | Broesamle | |
| 5,909,830 | A | 6/1999 | Bates et al. | |
| 6,286,729 | B1 | 9/2001 | Lin | |

(Continued)

FOREIGN PATENT DOCUMENTS

| | | |
|----|----------|---------|
| EP | 1233210 | 8/2002 |
| JP | 11333346 | 12/1999 |

OTHER PUBLICATIONS

European Search Report, 7 pages, dated Nov. 3, 2011 for EP Application EP11179374.1.

(Continued)

Primary Examiner — Phillip S Hyder

(74) *Attorney, Agent, or Firm* — Tarolli, Sundheim, Covell & Tummino LLP

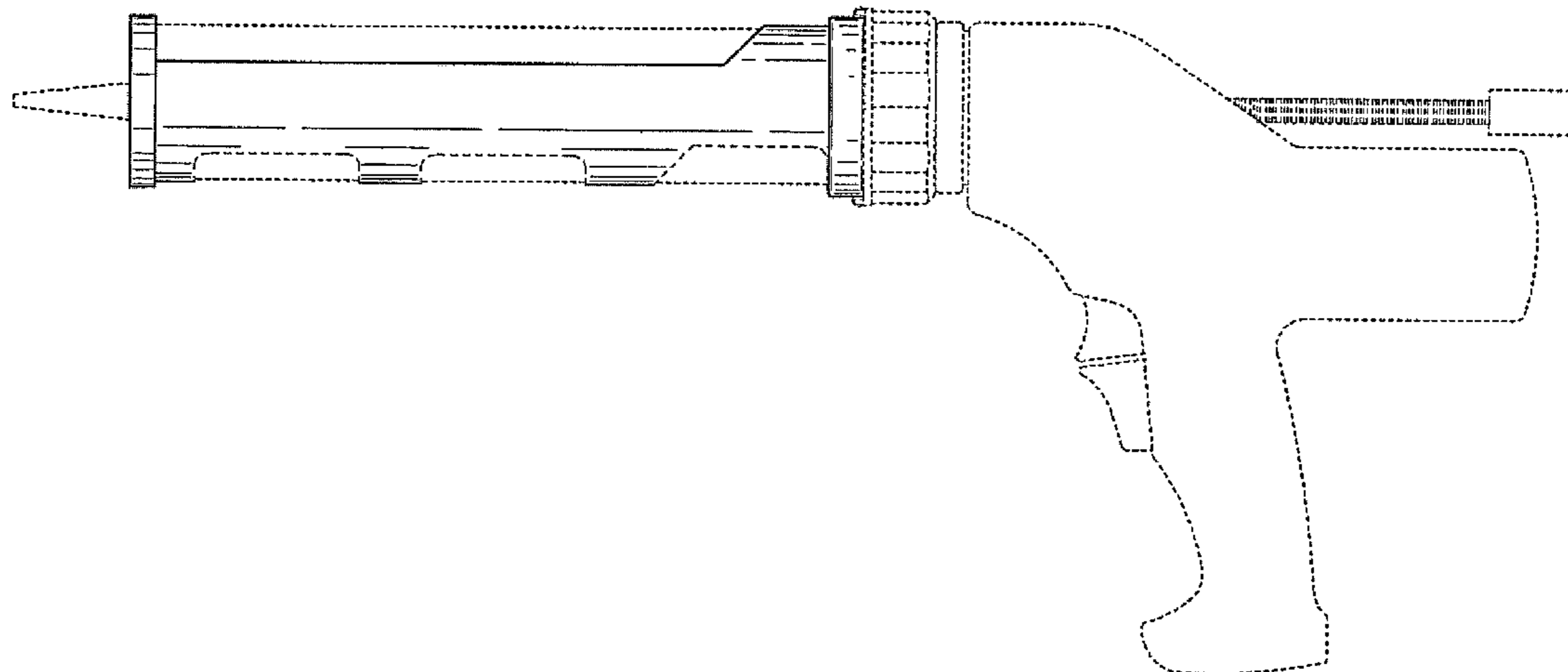
(57) **CLAIM**

The ornamental design for a dispensing tool, as shown and described.

DESCRIPTION

FIG. 1 is a side elevation view of a dispensing tool;
FIG. 2 is a perspective view thereof;
FIG. 3 is a first side elevation view thereof;
FIG. 4 is a second side elevation view thereof;
FIG. 5 is a top plan view thereof;
FIG. 6 is a bottom plan view thereof;
FIG. 7 is a first end elevation view thereof; and,
FIG. 8 is a second end view thereof.
The broken lines depict portions of the dispensing tool that form no part of the claimed design.

1 Claim, 3 Drawing Sheets



(56)

References Cited

U.S. PATENT DOCUMENTS

| | | | | |
|--------------|------|---------|----------------------|---------|
| 6,701,828 | B1 | 3/2004 | Burns et al. | |
| 6,745,921 | B2 | 6/2004 | Beckett | |
| 6,752,293 | B2 * | 6/2004 | So | 222/156 |
| D505,306 | S * | 5/2005 | Gaddy | D8/14.1 |
| 6,889,872 | B2 | 5/2005 | Herman et al. | |
| 6,926,177 | B1 | 8/2005 | Scott et al. | |
| 7,063,240 | B1 | 6/2006 | Niswonger | |
| 7,192,267 | B2 | 3/2007 | Glucksman et al. | |
| D548,551 | S * | 8/2007 | Lopano et al. | D8/14.1 |
| D640,517 | S * | 6/2011 | Rumrill et al. | D8/14.1 |
| 8,011,538 | B2 * | 9/2011 | Herman et al. | 222/326 |
| D654,768 | S * | 2/2012 | Rumrill et al. | D8/14.1 |
| D659,492 | S * | 5/2012 | Sabodish et al. | D8/14.1 |
| 2002/0036214 | A1 | 3/2002 | Rousselet et al. | |
| 2002/0117016 | A1 | 8/2002 | Beckett | |
| 2005/0051571 | A1 | 3/2005 | Carruth et al. | |
| 2008/0083845 | A1 | 4/2008 | Lind et al. | |
| 2009/0277970 | A1 | 11/2009 | Lind et al. | |
| 2009/0302055 | A1 | 12/2009 | Cadden et al. | |
| 2011/0155758 | A1 | 6/2011 | Johnson | |

OTHER PUBLICATIONS

International Search Report, 7 pages, dated Jun. 10, 2008 for International Application No. PCT/US2007/024785.

Milwaukee 14.4V Cordless Caulk & Adhesive Gun Kits, Online Product Sheet, Jun. 25, 2006 (date according to waybackmachine.com) {Retrieved on May 13, 2008} Retrieved from the internet <URL:<http://www.mytoolstore.com/milwaukee/6562-21.html>>, 6 pages.

Exploded View and Service Parts List for 14.4V Cordless Caulk Gun, Catalog No. 6562-21, Serial No. A63A, 2 pages. To the best of Applicant's knowledge, the product shown and described was on sale

in the U.S. more than one-year prior to the filing date of the present application.

Exploded View and Service Parts List for 14.4V Cordless Caulk Gun, Catalog No. 6562-24, Serial No. A93A, 2 pages. To the best of Applicant's knowledge, the product shown and described was on sale in the U.S. more than one-year prior to the filing date of the present application.

Exploded View and Service Parts List for 14.4V Cordless Caulk Gun, Catalog No. 6562-23, Serial No. A92A, 2 pages. To the best of Applicant's knowledge, the product shown and described was on sale in the U.S. more than one-year prior to the filing date of the present application.

Milwaukee 12 Volt Cordless Caulk and Adhesive Guns Advertisement, 2 pages. To the best of Applicant's knowledge, the product shown and described was on sale in the U.S. more than one-year prior to the filing date of the present application.

Milwaukee Operator's Manual for 14.4V Caulk and Adhesive Gun, 40 pages. To the best of Applicant's knowledge, the product shown and described was on sale in the U.S. more than one-year prior to the filing date of the present application.

Exploded View and Service Parts List for 14.4V Cordless Caulk Gun, Catalog No. 6582-21, Serial No. A63A, 2 pages. To the best of Applicant's knowledge, the product shown and described was on sale in the U.S. more than one-year prior to the filing date of the present application.

Exploded View and Service Parts List for 14.4V Cordless Caulk Gun, Catalog No. 6562-24, Serial No. A93A, 2 pages. To the best of Applicant's knowledge, the product shown and described was on sale in the U.S. more than one-year prior to the filing date of the present application.

European Search Report, 6 pages, dated Mar. 15, 2010 for EP Application No. EP 07862463.

* cited by examiner

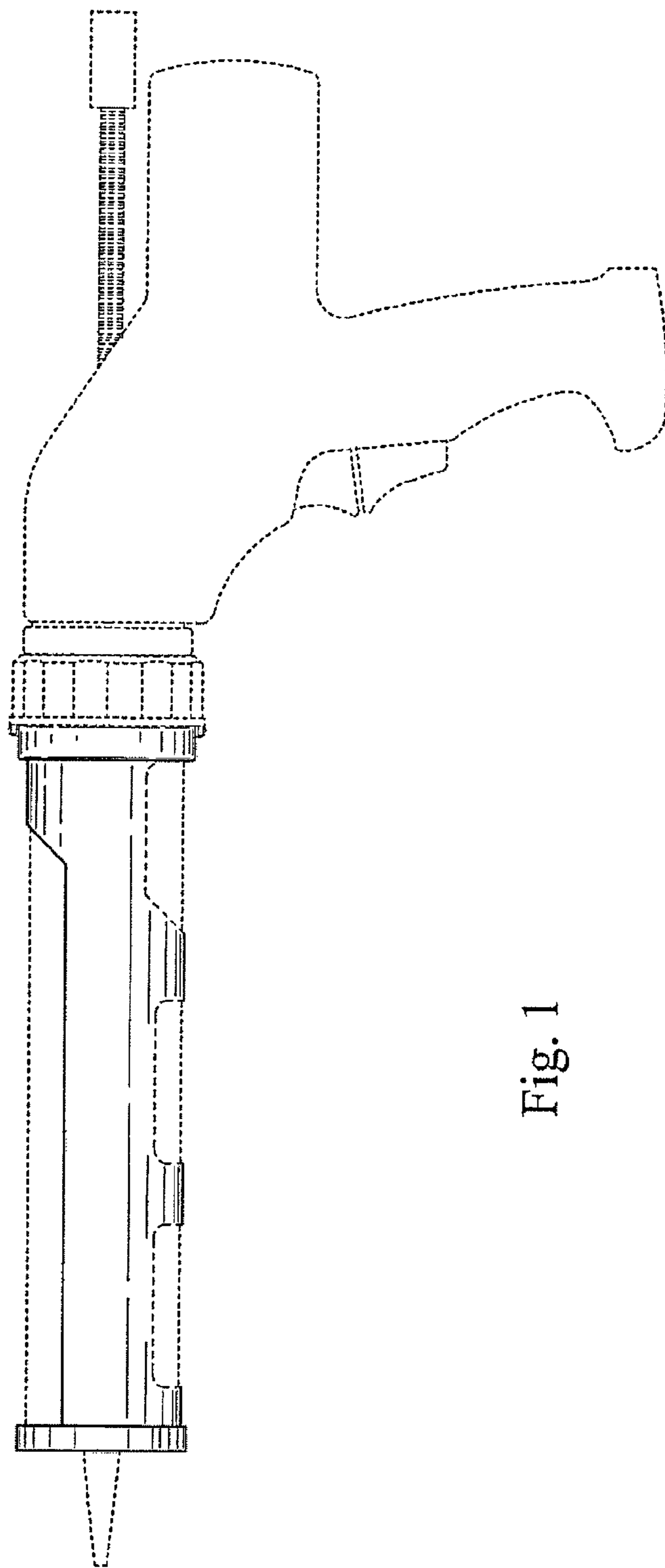


Fig. 1

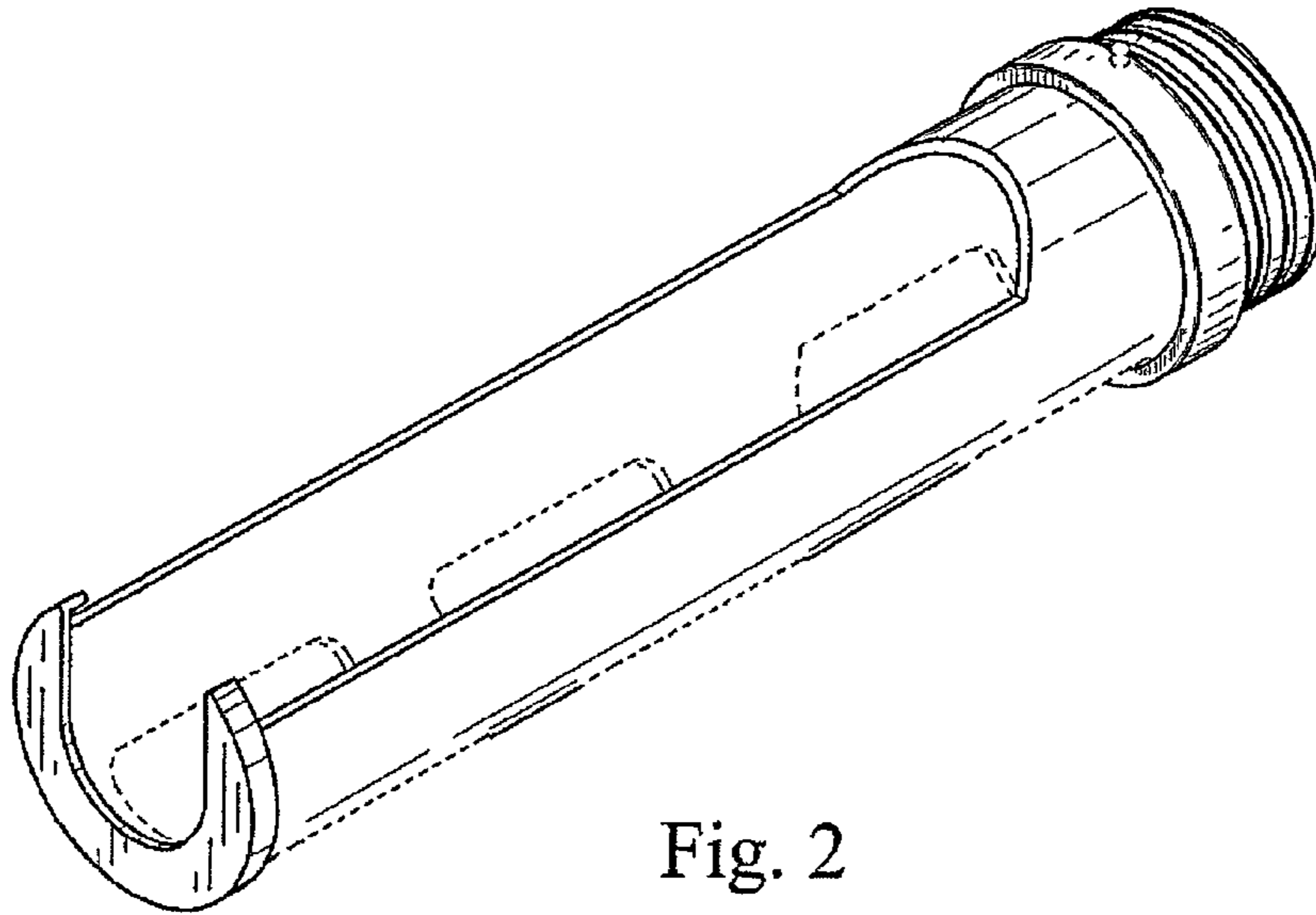


Fig. 2

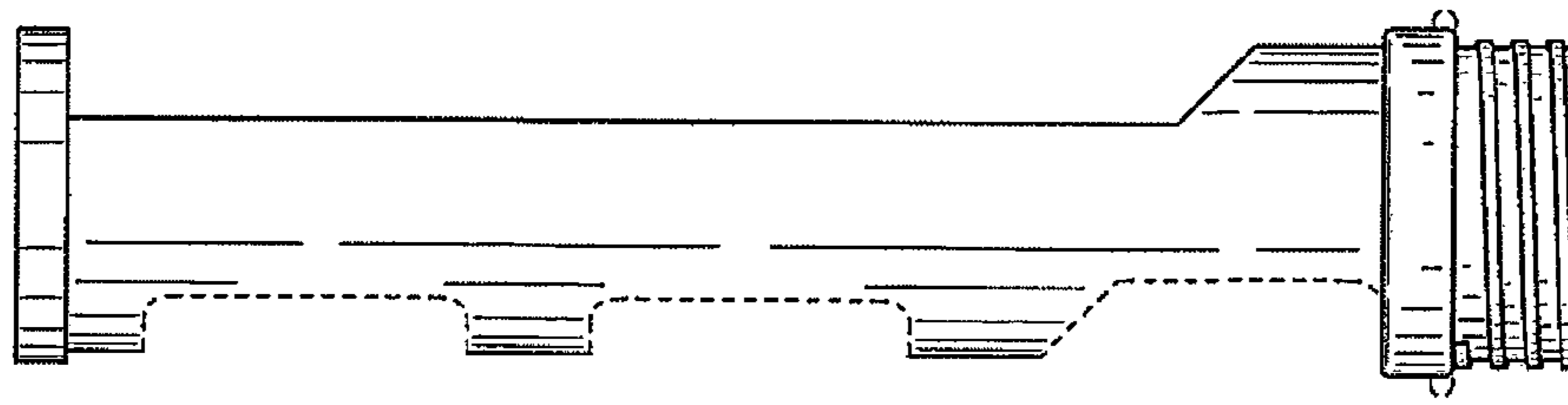


Fig. 3

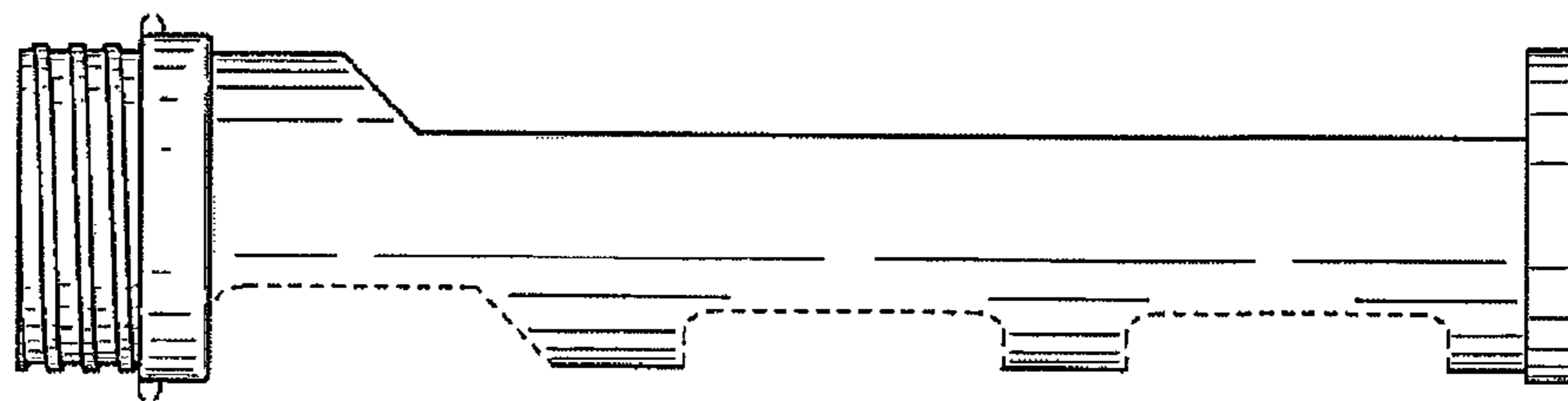


Fig. 4

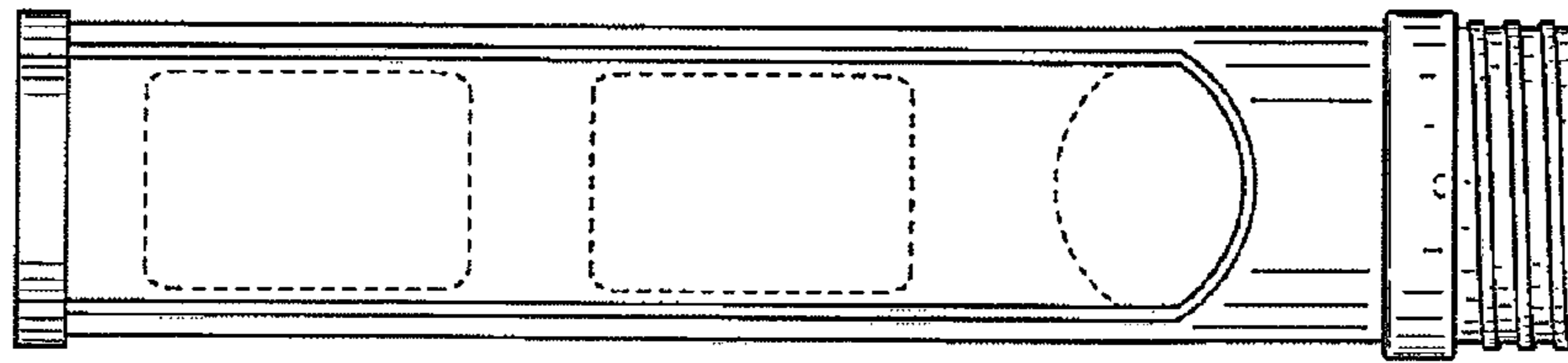


Fig. 5

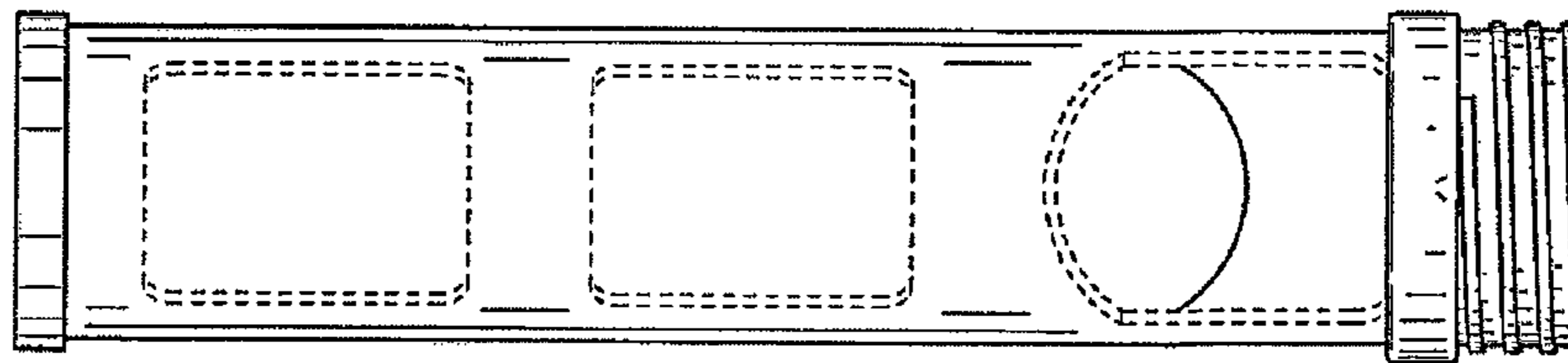


Fig. 6

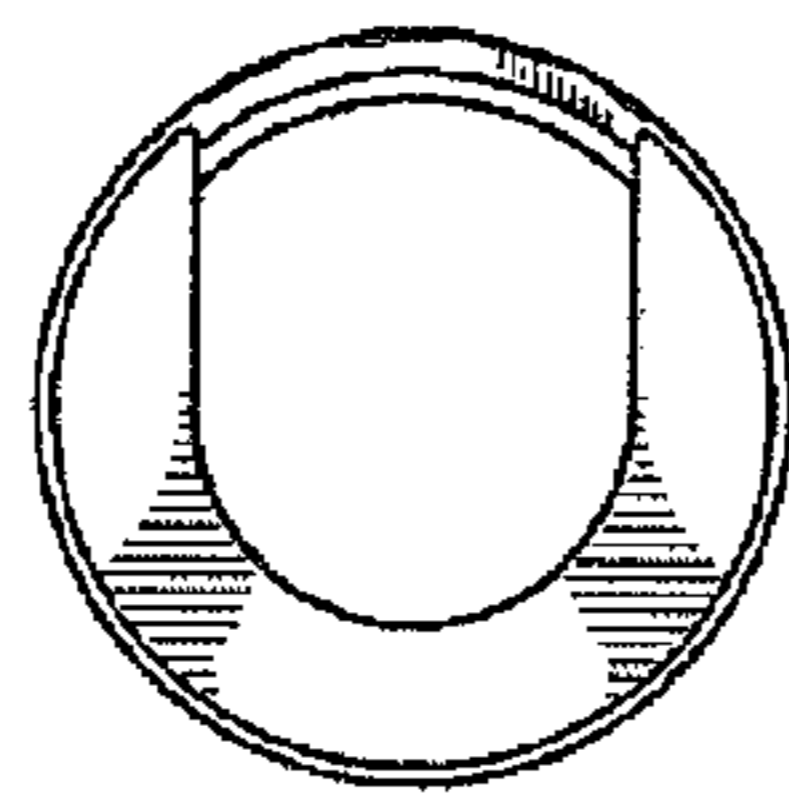


Fig. 7

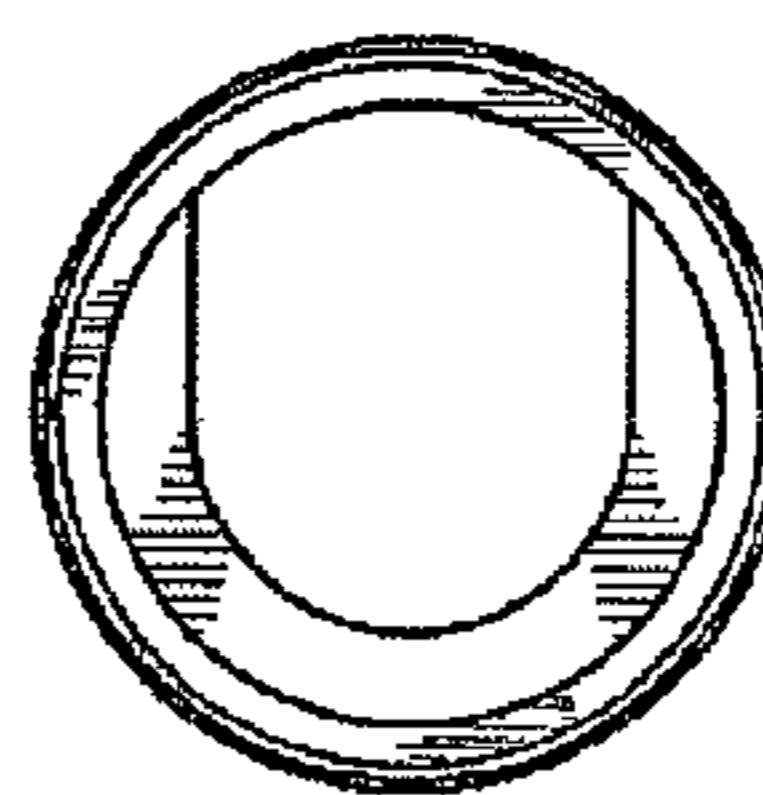


Fig. 8