



US00D713218S

(12) **United States Design Patent**
Chalfant, Jr.

(10) **Patent No.:** **US D713,218 S**
(45) **Date of Patent:** **** Sep. 16, 2014**

(54) **CUTTING TEETH SECTION FOR A FOOD GRATER**

Primary Examiner — Terry Wallace

(71) Applicant: **Louis Paul Chalfant, Jr.**, Hot Springs, AR (US)

(57) **CLAIM**

The ornamental design for a cutting teeth section of a food grater, as shown and described.

(72) Inventor: **Louis Paul Chalfant, Jr.**, Hot Springs, AR (US)

(73) Assignee: **Louis Paul Chalfant**

(**) Term: **14 Years**

DESCRIPTION

(21) Appl. No.: **29/452,473**

FIG. 1 is a top perspective view of the design for the cutting teeth section of a food grater of the invention;

(22) Filed: **Apr. 17, 2013**

FIG. 2 is a top plan view of the cutting teeth of a food grater of FIG. 1;

(51) **LOC (10) Cl.** **07-04**

FIG. 3 is a bottom plan view of the cutting teeth section of a food grater of FIG. 1;

(52) **U.S. Cl.**

USPC **D7/678**

FIG. 4 is a front elevational view, viewing FIG. 2 of the cutting teeth section of a food grater of FIG. 1;

(58) **Field of Classification Search**

CPC **A47J 43/25**

USPC **D7/678, 672-677, 679, 381-385, 412;**

241/100, 168, 169, 169.1,

241/273.1-273.4, 30, 33, 37.5; 407/29.1,

407/15, 48, 103, 120; 99/495, 510, 114,

99/278, 279.6, 280, 286, 287, 373,

99/389-391

FIG. 5 is a rear elevational view, viewing FIG. 2 of the cutting teeth section of a food grater of FIG. 1;

FIG. 6 is a left side elevational view of the cutting teeth section of a food grater of FIG. 1;

FIG. 7 is a right side elevational view of the cutting teeth section of a food grater of FIG. 1;

FIG. 8 is a bottom perspective view of the design for the cutting teeth section of a food grater of FIG. 1;

FIG. 9 is a top plan view of a single cutting tooth in the cutting teeth section of the food grater of FIG. 1; and,

FIG. 10 is a sectional elevation view of the cutting tooth of FIG. 9 taken along lines 10-10.

The broken lines in the figures illustrate portions of the multi-functional food preparation tool that form no part of the claim.

See application file for complete search history.

(56) **References Cited**

U.S. PATENT DOCUMENTS

3,332,127 A * 7/1967 West 407/29.1

3,389,447 A * 6/1968 Theobald et al. 407/29.1

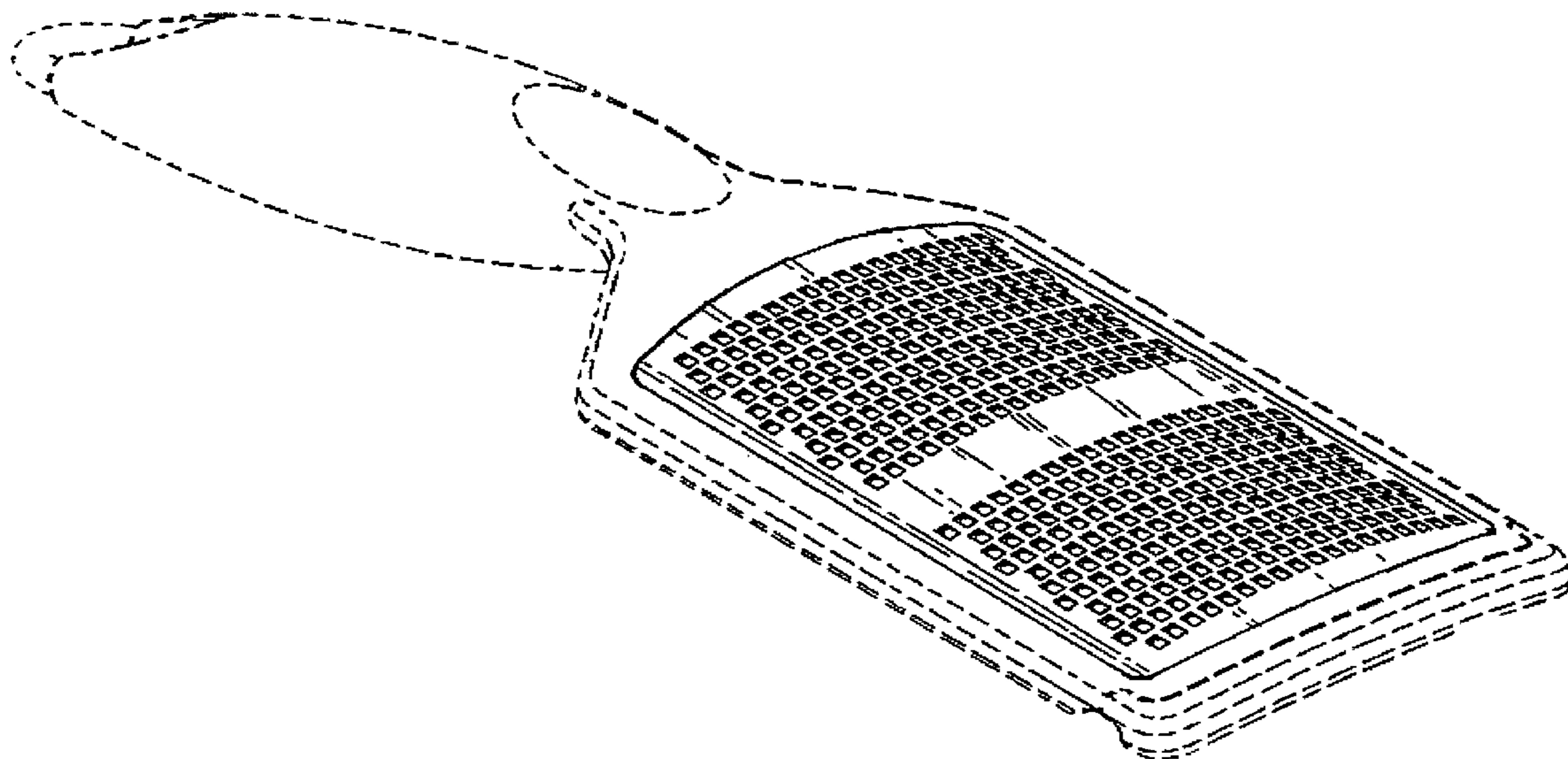
3,589,421 A * 6/1971 Locker 241/95

6,318,652 B1 * 11/2001 Liu 241/95

D668,918 S * 10/2012 Smith et al. D7/678

* cited by examiner

1 Claim, 8 Drawing Sheets



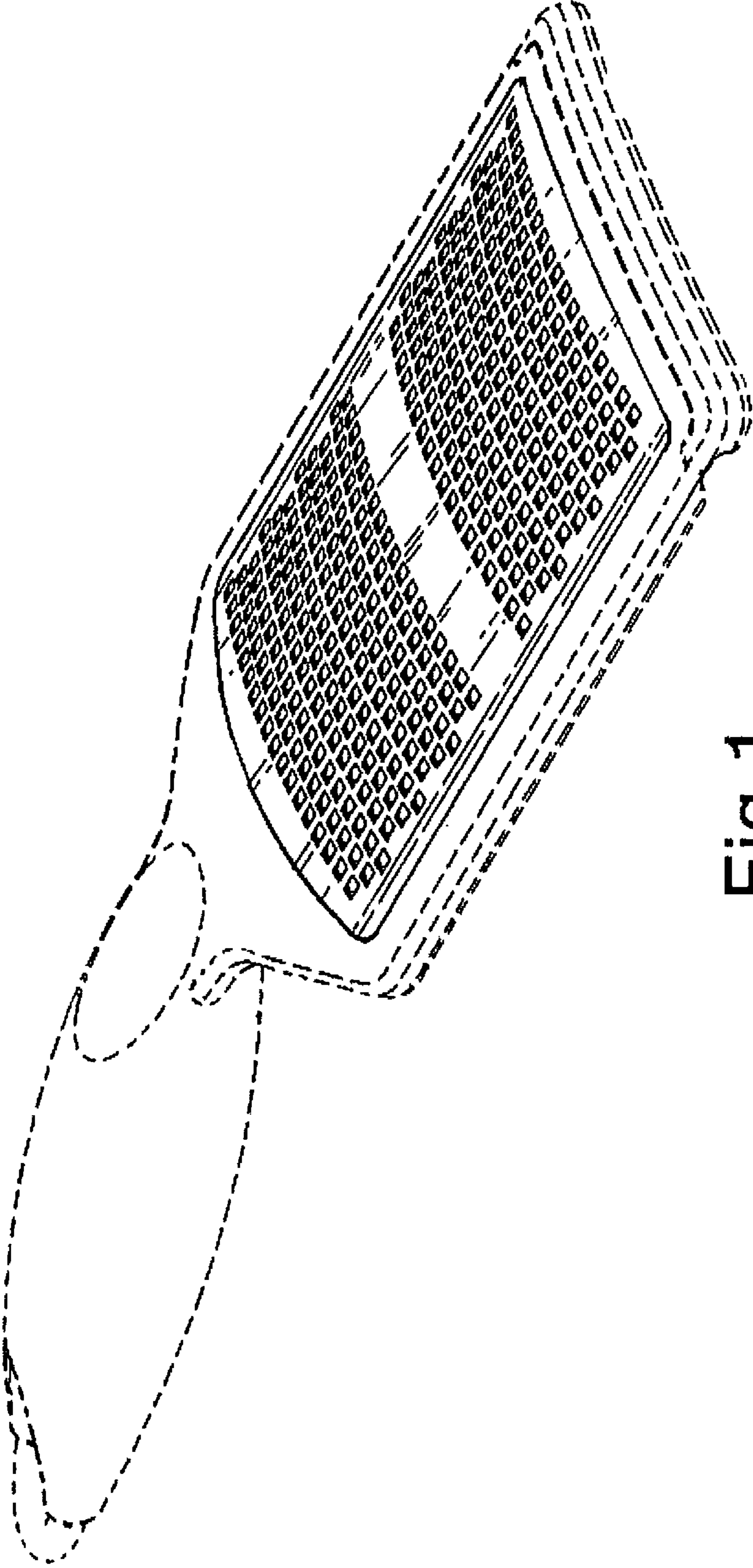


Fig. 1

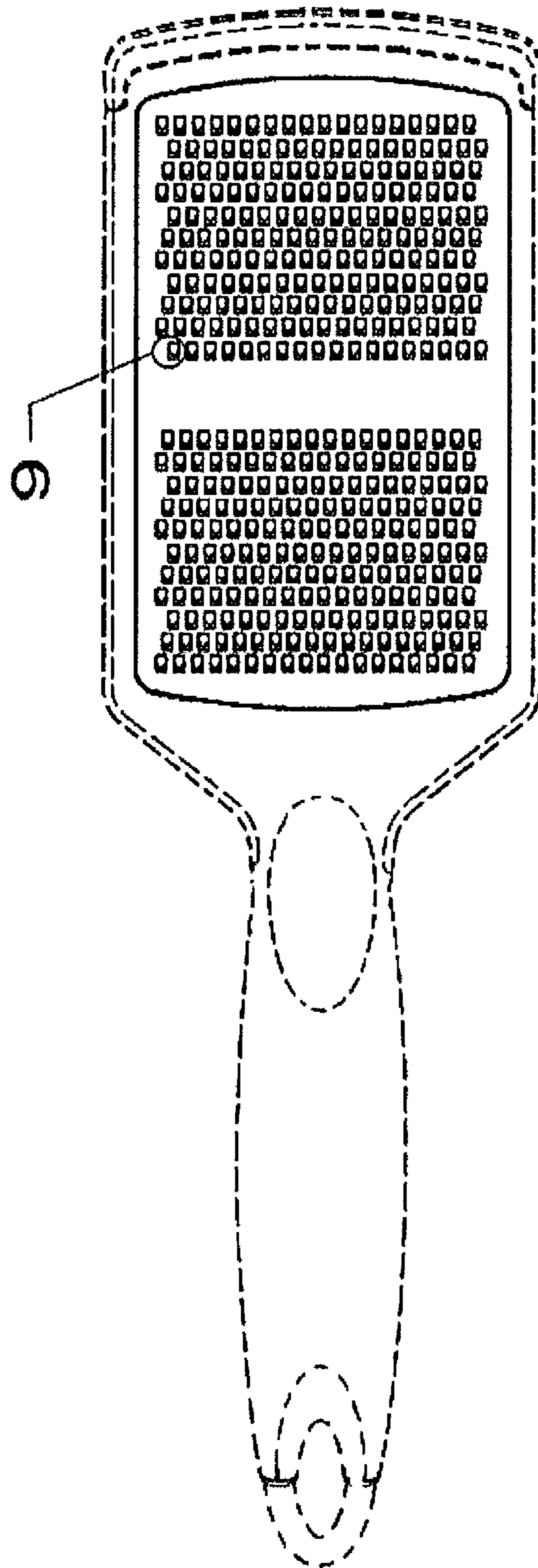


Fig. 2

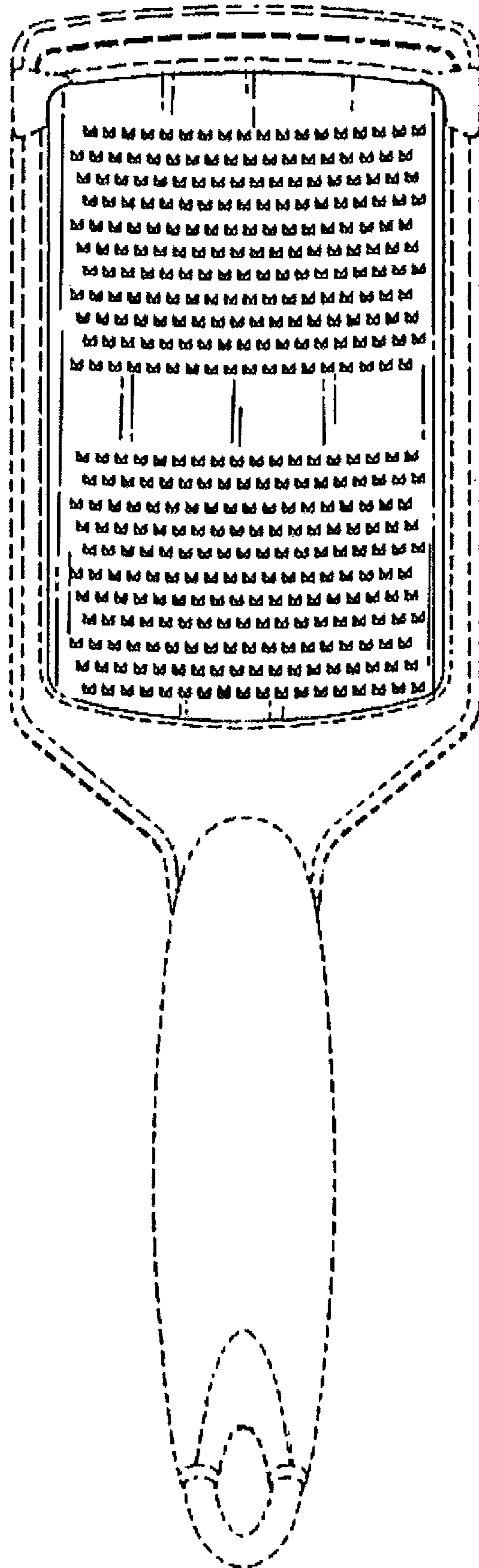


Fig. 3

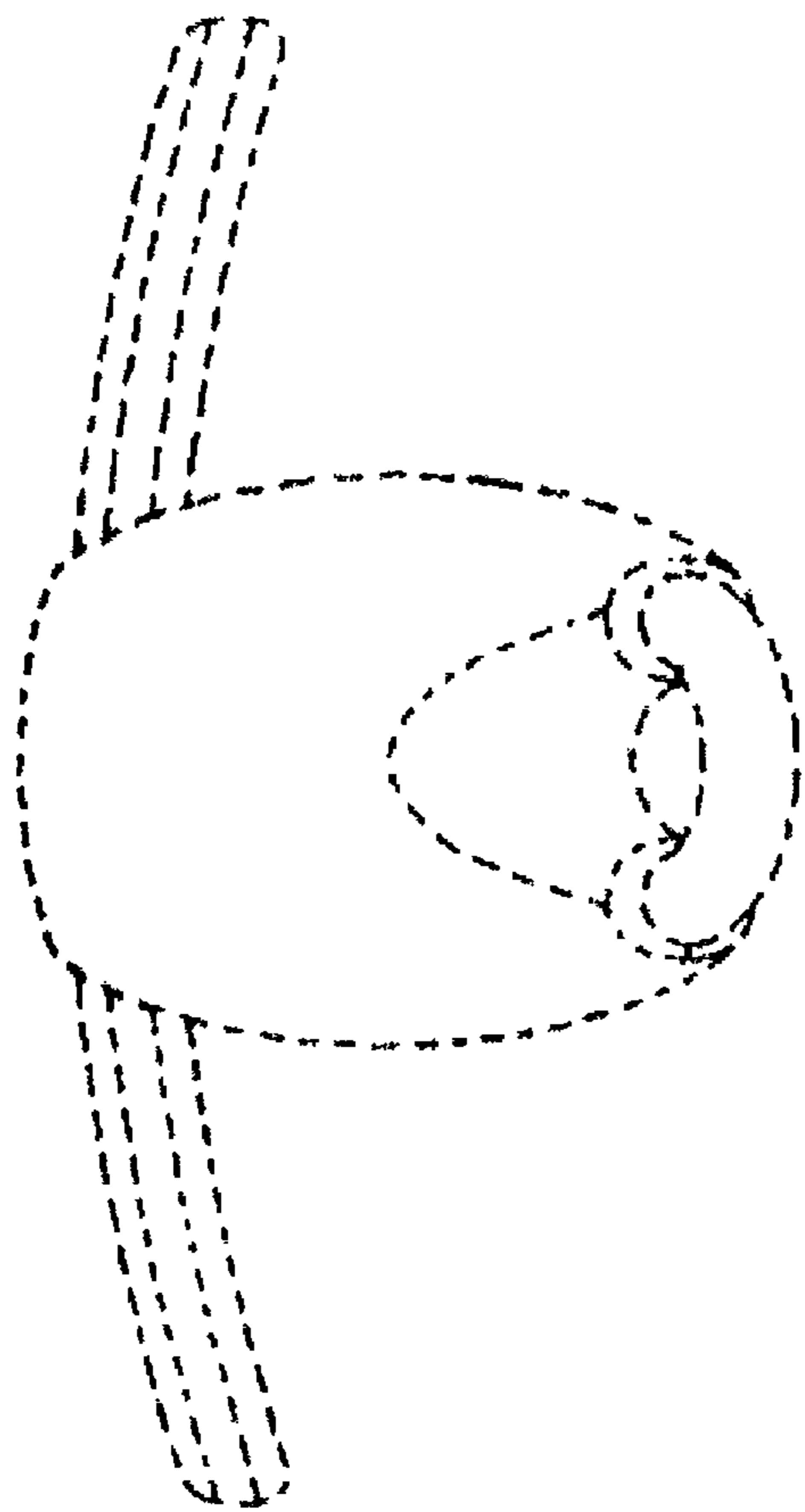


Fig.5

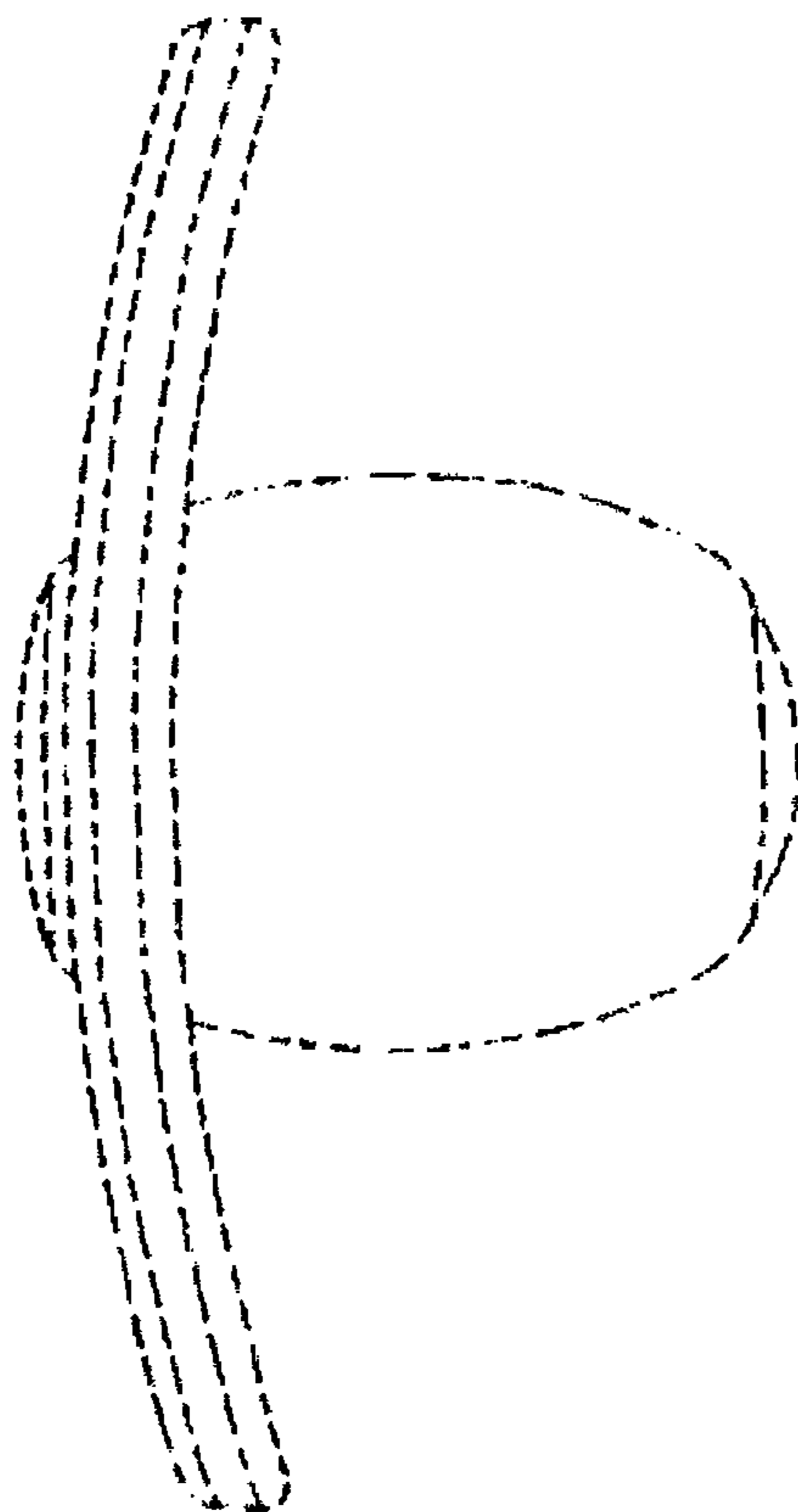


Fig.4



Fig. 6



Fig. 7

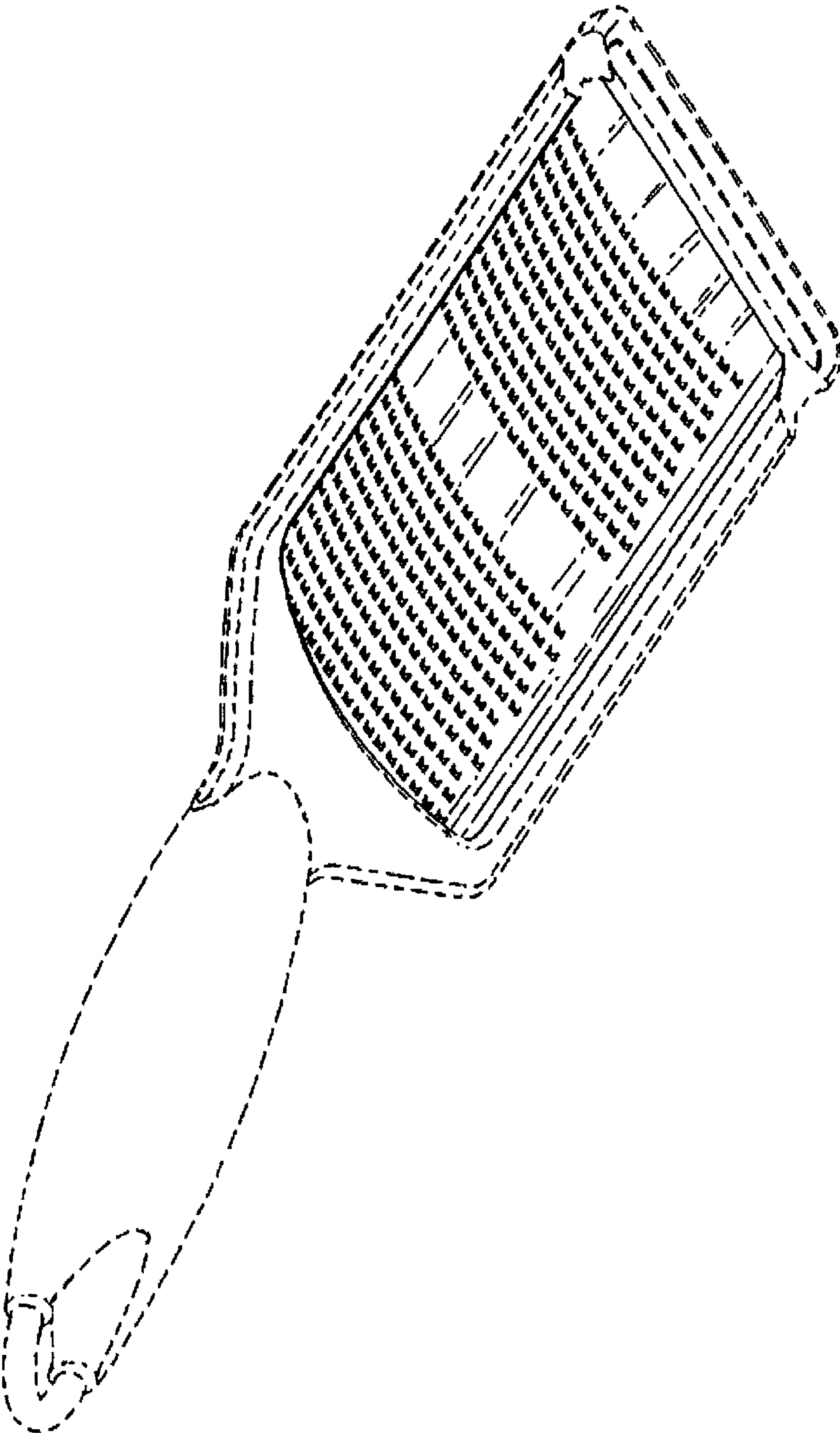


Fig. 8

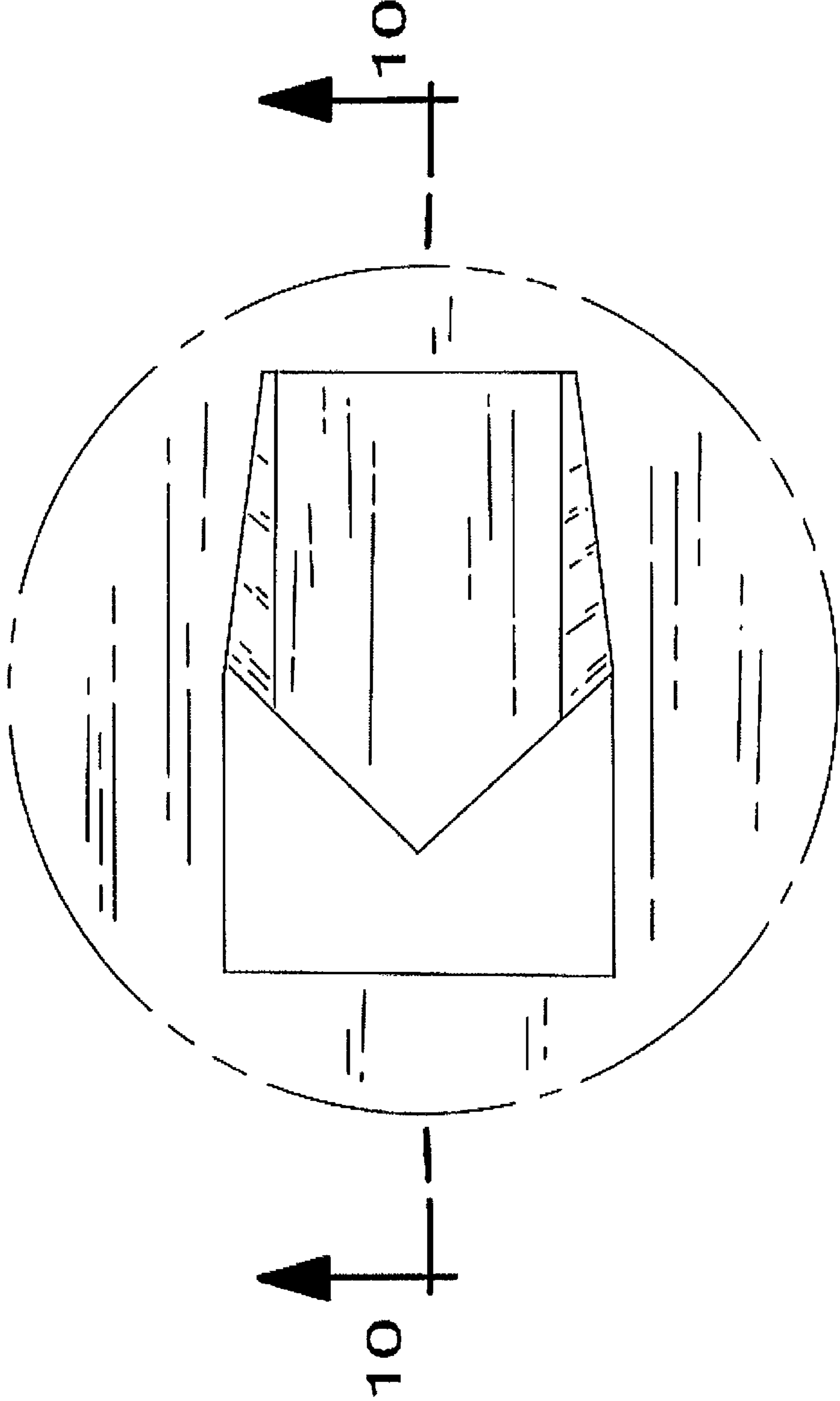


Fig.9

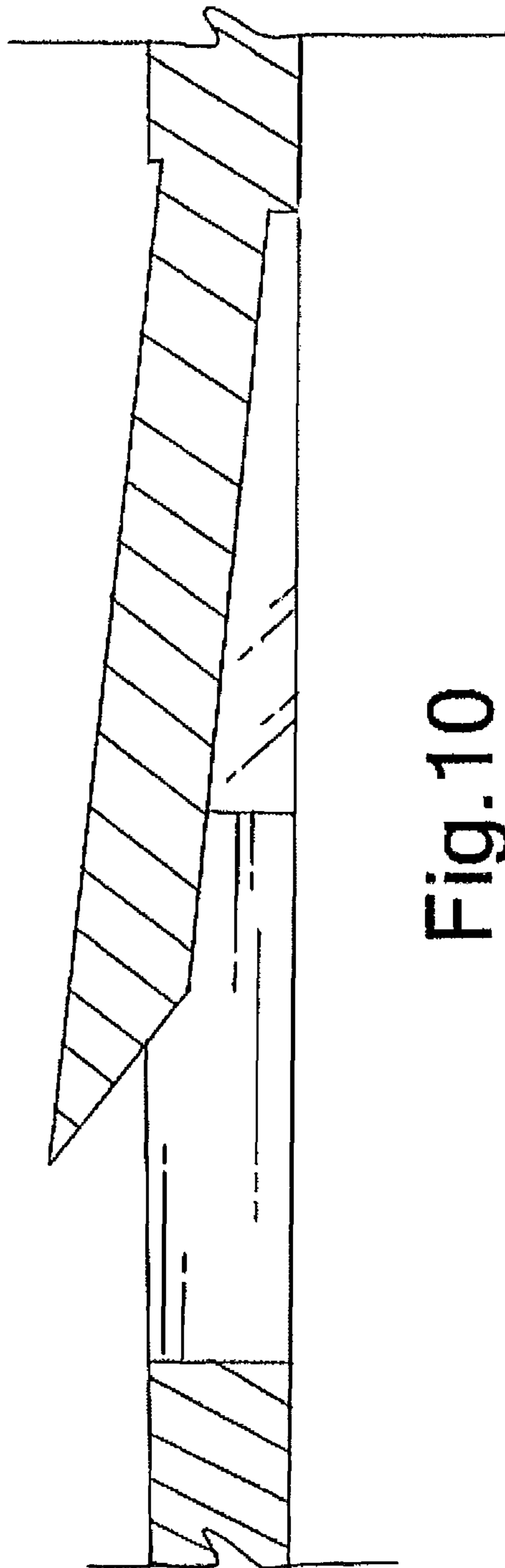


Fig. 10