



US00D713217S

(12) **United States Design Patent**  
**Micara-Sartori et al.**

(10) **Patent No.:** **US D713,217 S**  
(45) **Date of Patent:** **\*\* Sep. 16, 2014**

(54) **PRESS FOR FOOD**

- (71) Applicant: **Aspiring Enterprises Inc**, Berwyn, PA (US)
- (72) Inventors: **Clemente Micara-Sartori**, Berwyn, PA (US); **Michael W. Dunn**, Glastonbury, CT (US)
- (73) Assignee: **Aspiring Enterprises Inc**, Berwyn, PA (US)

(\*\*) Term: **14 Years**

(21) Appl. No.: **29/482,971**

(22) Filed: **Feb. 24, 2014**

**Related U.S. Application Data**

- (62) Division of application No. 29/431,393, filed on Sep. 6, 2012.
- (51) **LOC (10) Cl.** ..... **07-04**
- (52) **U.S. Cl.**  
USPC ..... **D7/675**
- (58) **Field of Classification Search**  
USPC ..... D7/354-361, 699, 551.1, 901, D7/672-677; D21/712; 99/537, 353; 249/170, 112; 100/295; 30/114, 152, 30/301, 314-316, 303, 305, 130, 299, 30/125; 425/284, 298, 299, 318, 300, 503, 425/406; 241/270, 272  
See application file for complete search history.

(56) **References Cited**

**U.S. PATENT DOCUMENTS**

- 1,031,243 A \* 7/1912 Carnes ..... 30/301
- 2,332,595 A 10/1943 Paquette
- 2,499,309 A 2/1950 Harris
- 2,584,536 A 2/1952 Belt

- 2,778,325 A 1/1957 Cesare
- 3,280,662 A 10/1966 Frankenfield
- 3,837,775 A 9/1974 Boucher
- 4,652,456 A 3/1987 Sailsbury
- D323,959 S \* 2/1992 Ciampi et al. .... D7/699
- D349,015 S 7/1994 Kaiser
- D350,882 S 9/1994 Charland
- D387,494 S 12/1997 Hester
- D446,088 S 8/2001 Pardee
- D483,227 S 12/2003 Oas
- D509,401 S 9/2005 Barnard, III et al.

(Continued)

**OTHER PUBLICATIONS**

Wilton Super Bowl Football Food Mold. Antique Annie's Country Store, 1990, <<http://www.tias.com/cgi-bin/item.fcgi?itemKey=3923835465>>, retrieved on Mar. 5, 2014 (2 pages).

(Continued)

*Primary Examiner* — Ian Simmons

*Assistant Examiner* — Shannon Morgan

(74) *Attorney, Agent, or Firm* — Clark & Elbing LLP; Kristina Bieker-Brady; Todd Armstrong

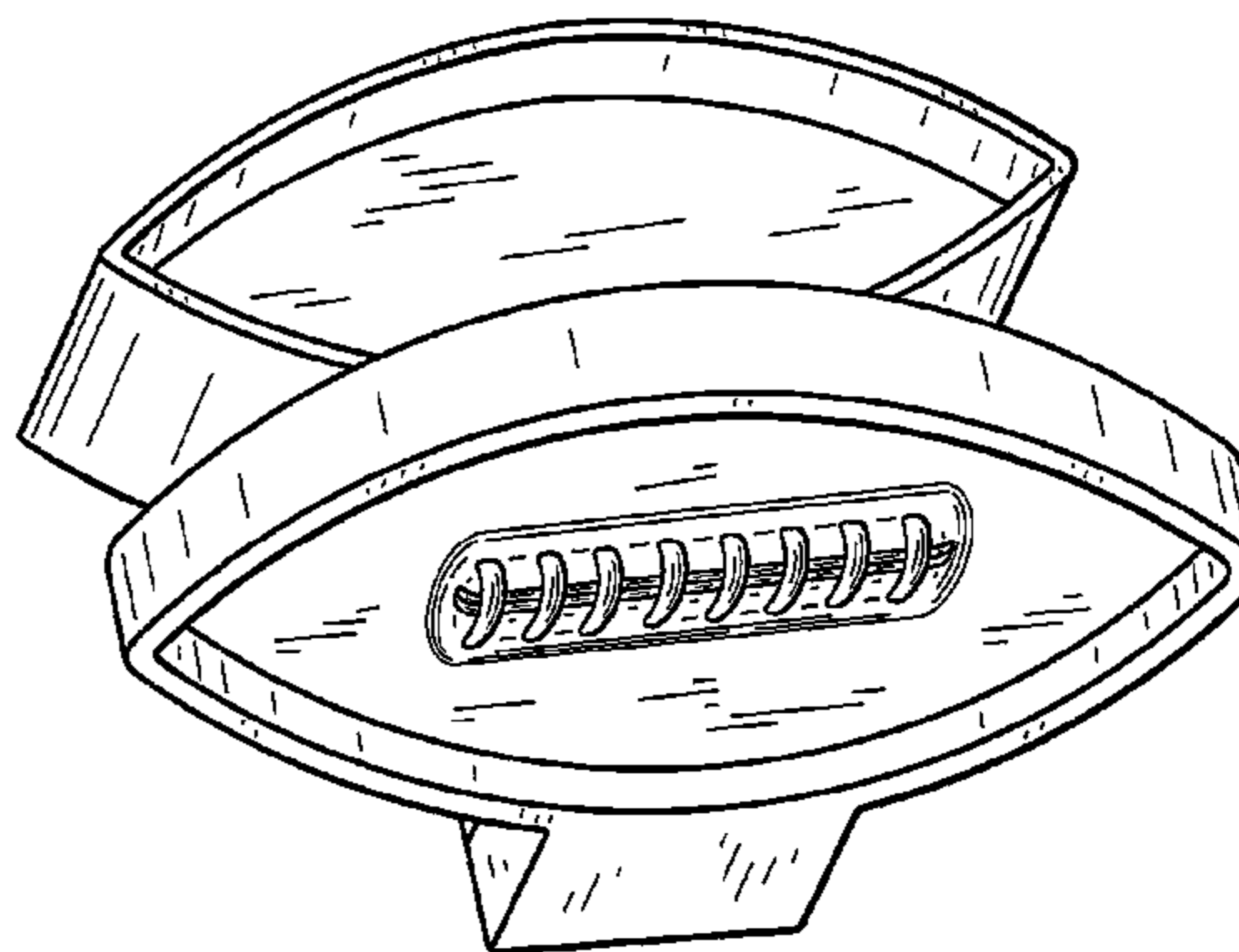
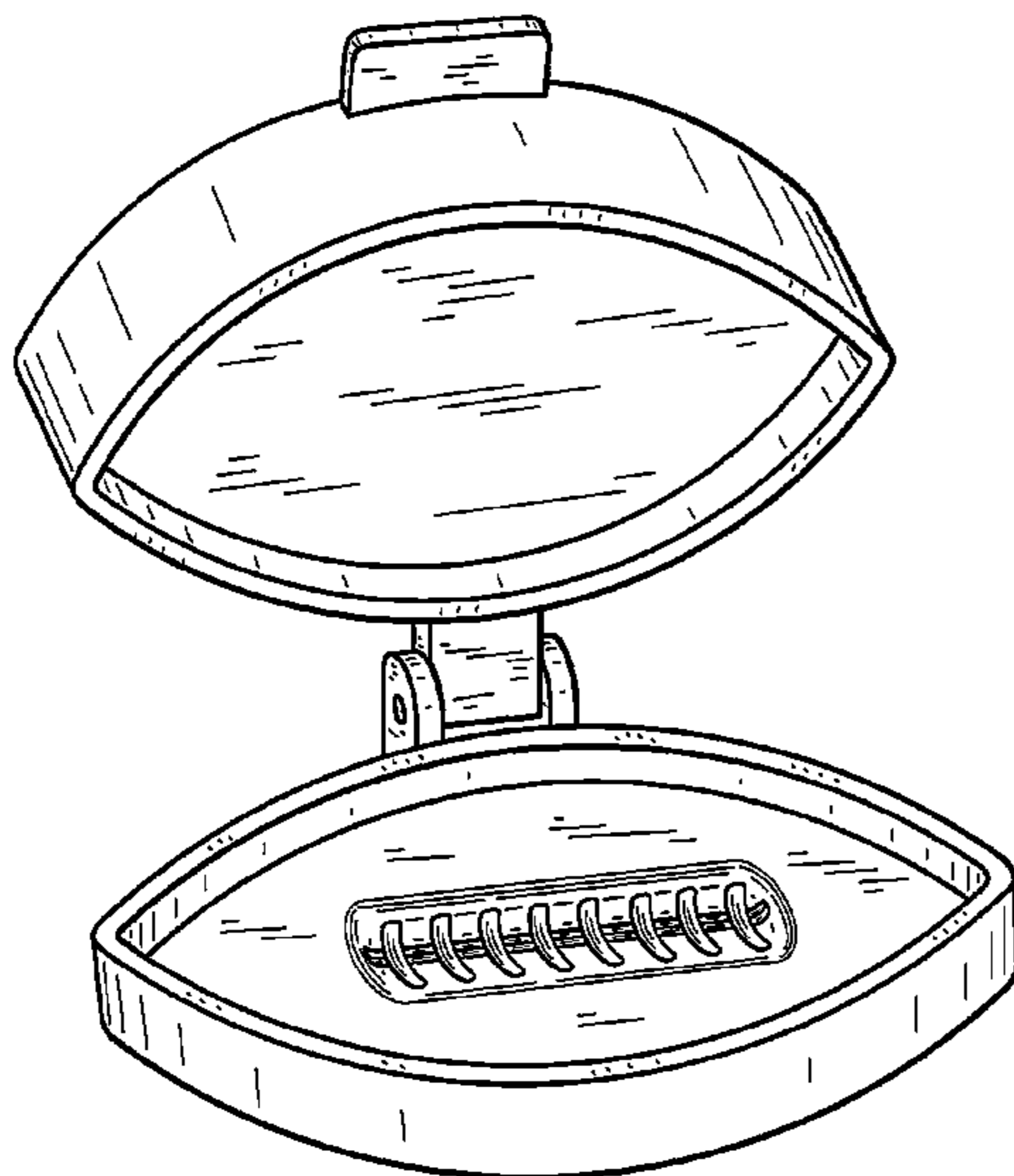
(57) **CLAIM**

The ornamental design for a press for food, as shown and described.

**DESCRIPTION**

FIG. 1 is a top perspective view of a press for food showing our new design;  
FIG. 2 is a bottom perspective view thereof;  
FIG. 3 is a left side elevational view thereof;  
FIG. 4 is a right side elevational view thereof;  
FIG. 5 is front elevational view thereof;  
FIG. 6 is a rear elevational view thereof;  
FIG. 7 is a top plan view thereof; and,  
FIG. 8 is a bottom plan view thereof.

**1 Claim, 8 Drawing Sheets**



(56)

**References Cited**

U.S. PATENT DOCUMENTS

D515,280 S 2/2006 Luciano et al.  
D560,538 S \* 1/2008 Yuengling et al. .... D11/81  
D586,628 S 2/2009 Bevers  
D610,877 S 3/2010 Cooper  
D631,278 S 1/2011 Curtis  
8,038,118 B1 10/2011 Ajakie  
D665,236 S 8/2012 Zemel  
D666,062 S 8/2012 Zemel  
D669,588 S 10/2012 Dutschmann  
D680,389 S 4/2013 Zemel et al.

D680,816 S 4/2013 Patel et al.  
D680,819 S \* 4/2013 Patel et al. .... D7/676  
D680,825 S \* 4/2013 Patel et al. .... D7/693  
2006/0034979 A1 2/2006 Stenbeck et al.  
2010/0107900 A1 5/2010 Hanson  
2014/0065277 A1 \* 3/2014 Micara-Sartori et al. .... 426/513

OTHER PUBLICATIONS

Non-final Office Action in U.S. Appl. No. 13/605,733 dated Mar. 14, 2014 (14 pages).

\* cited by examiner

FIG. 1

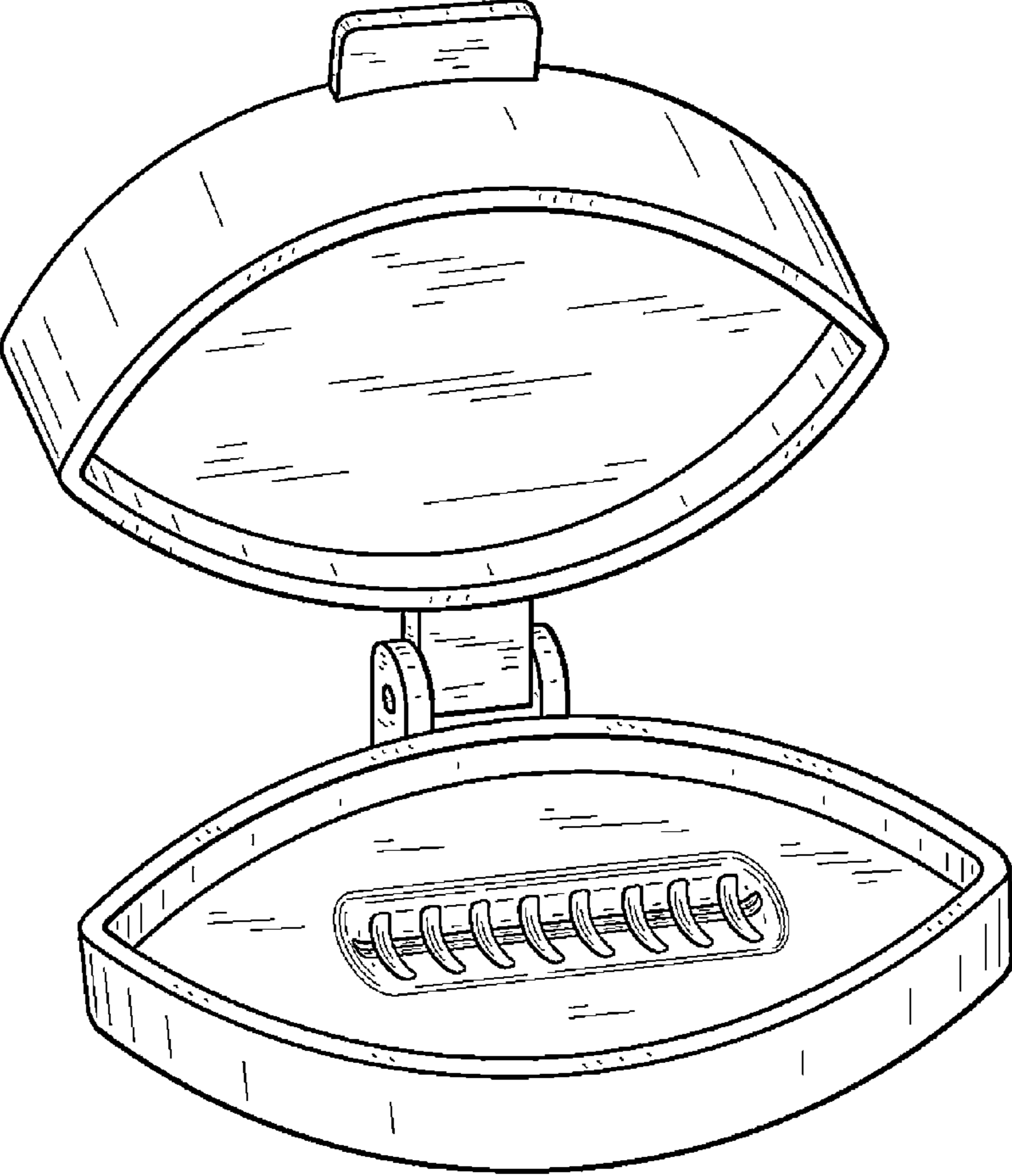


FIG. 2

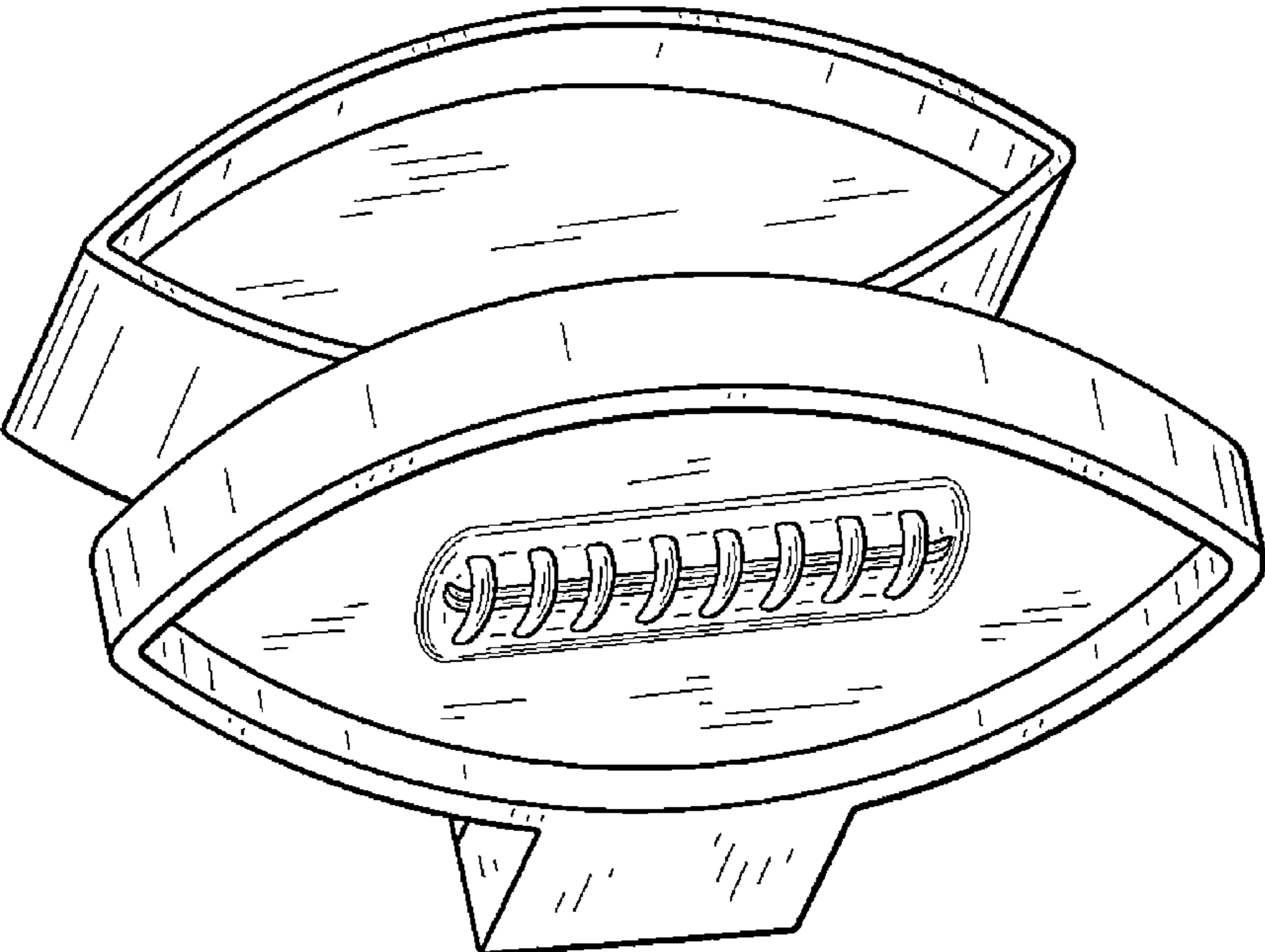


FIG. 3

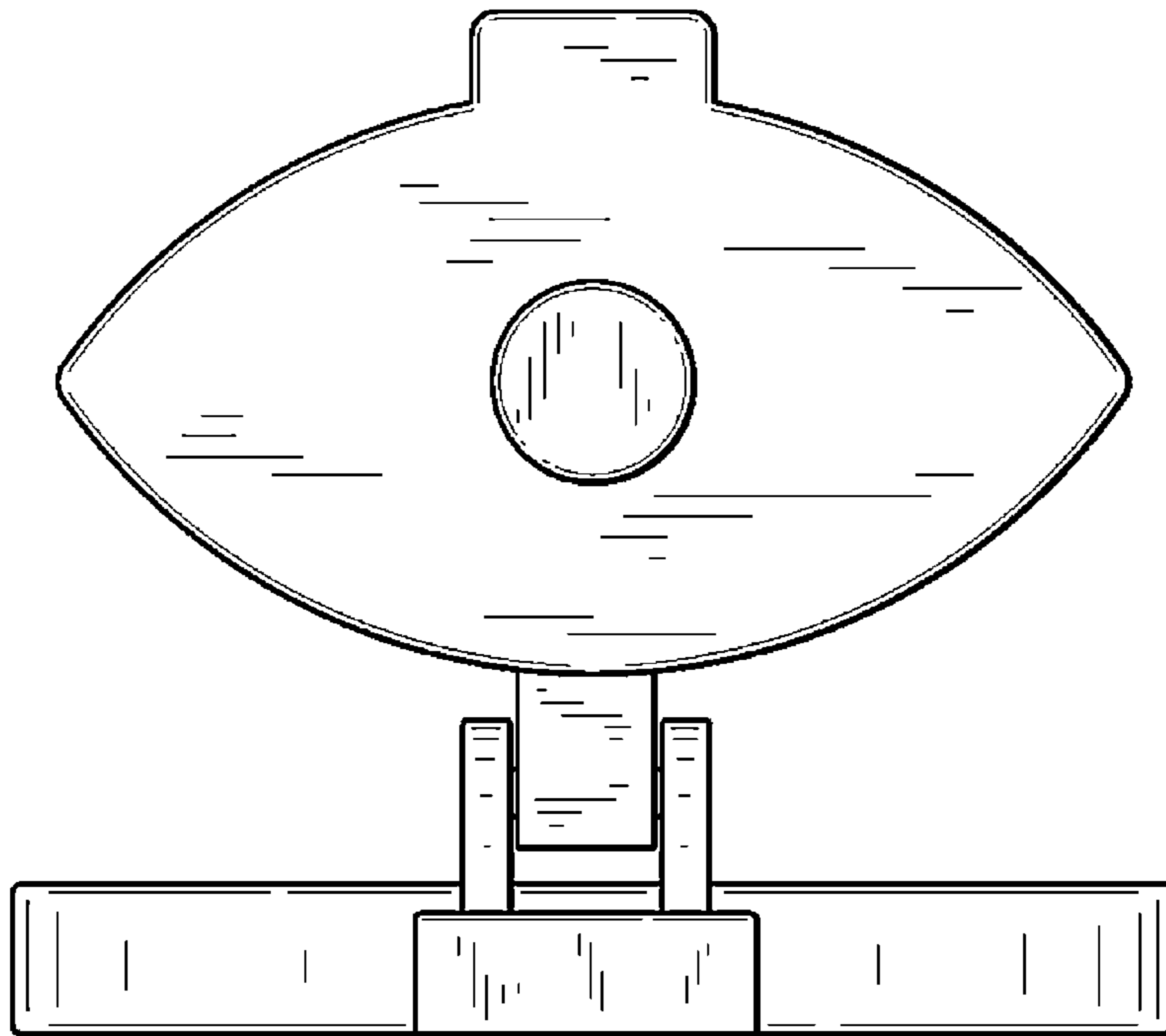


FIG. 4

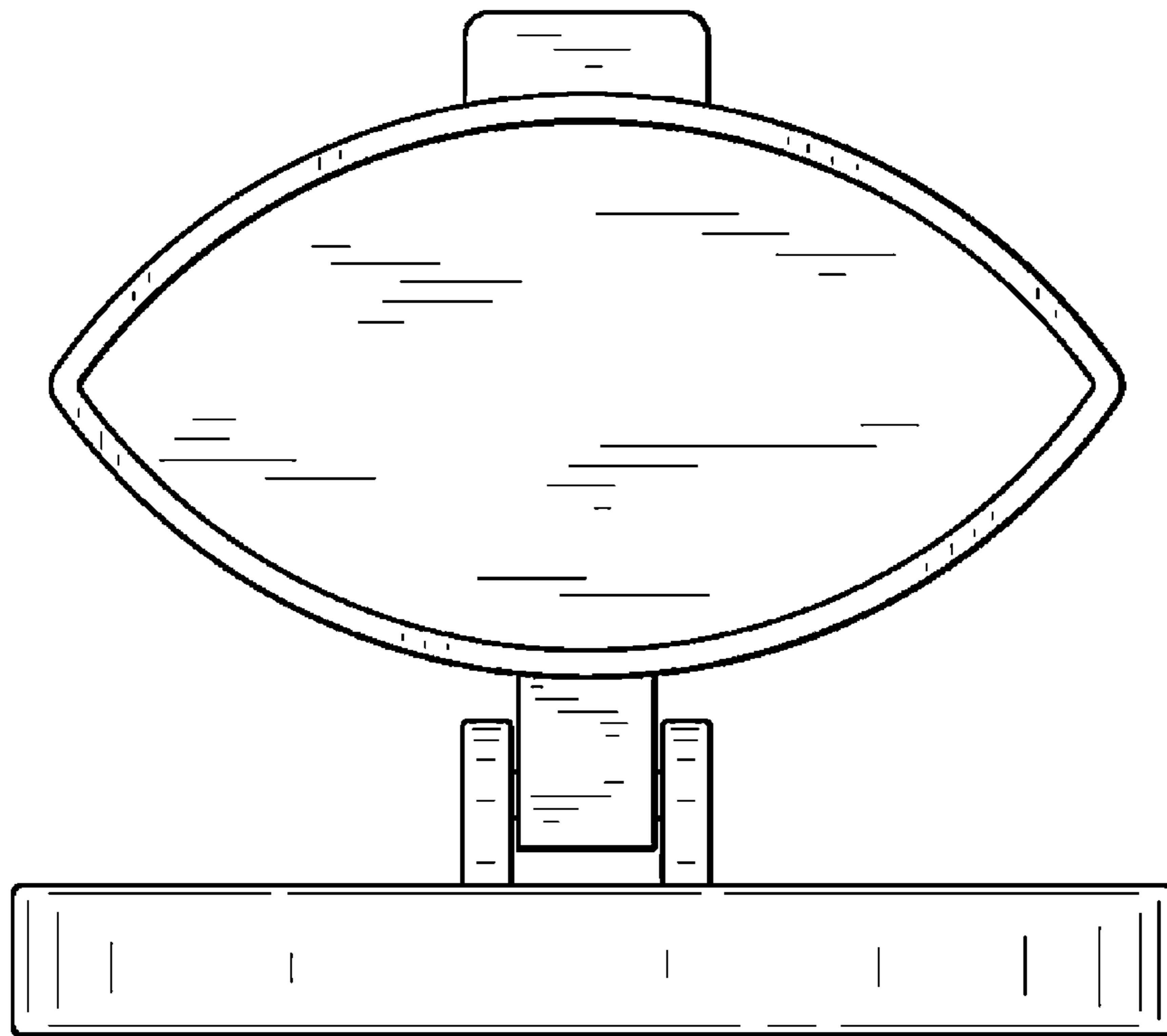


FIG. 5

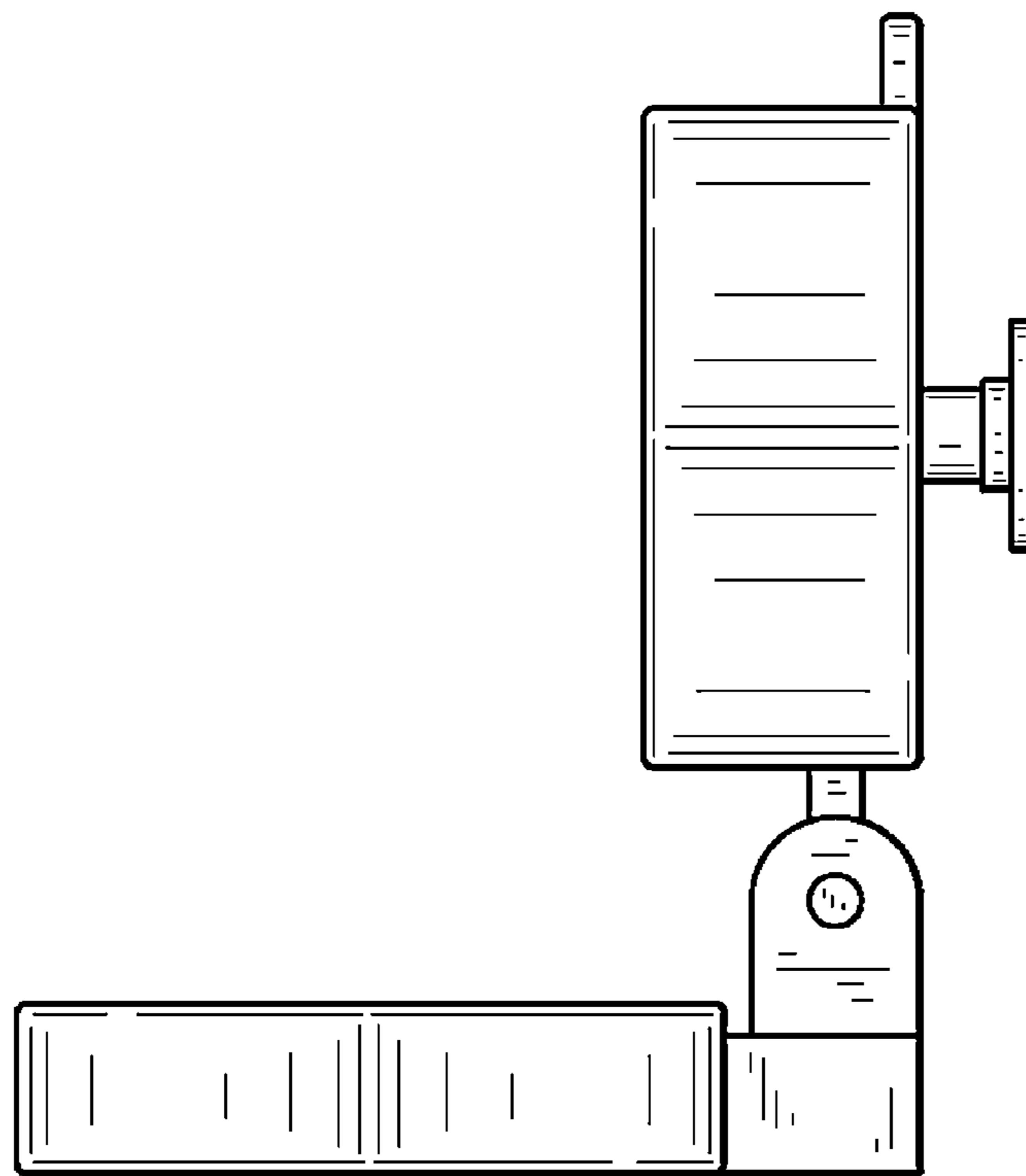


FIG. 6

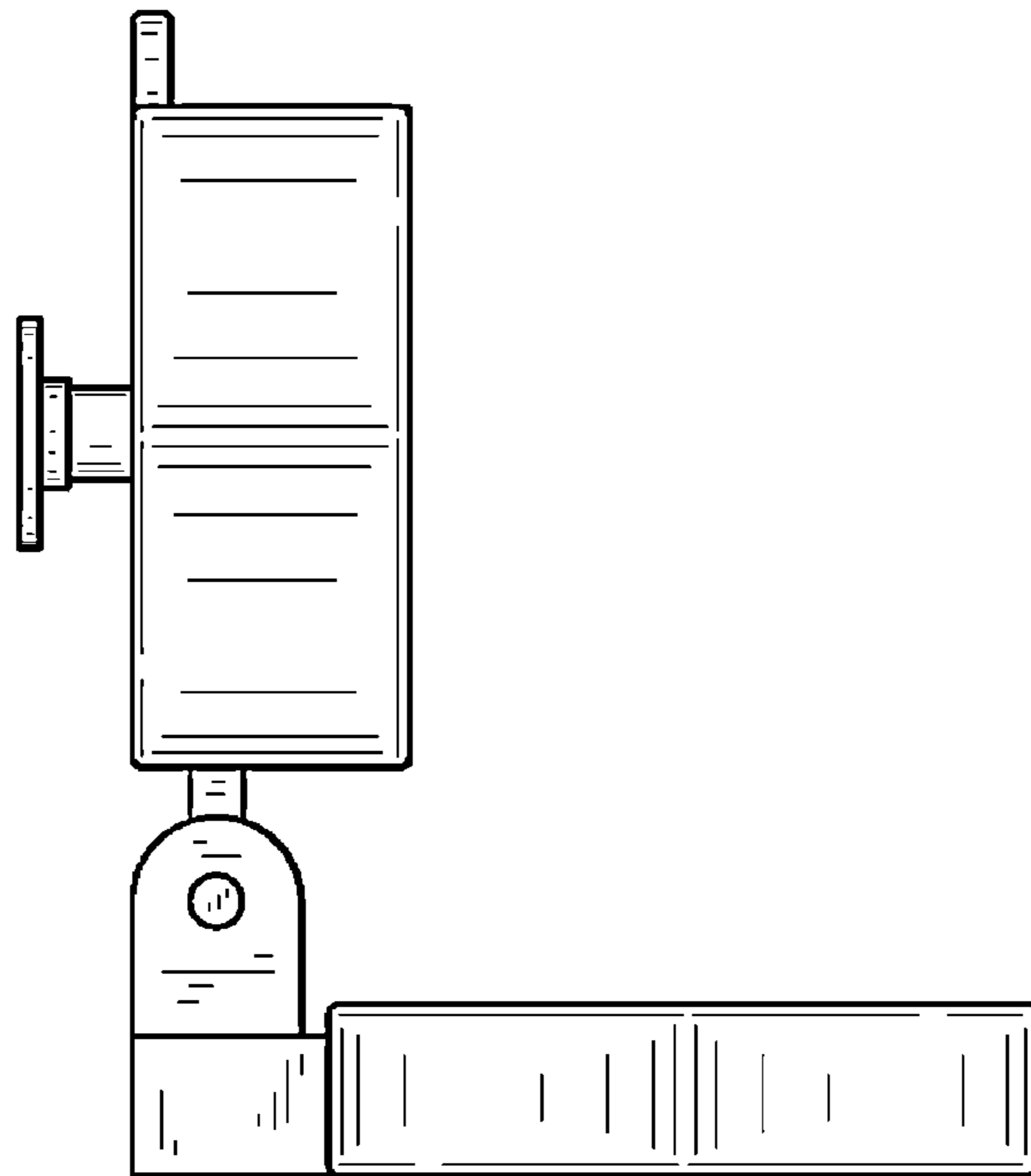




FIG. 7

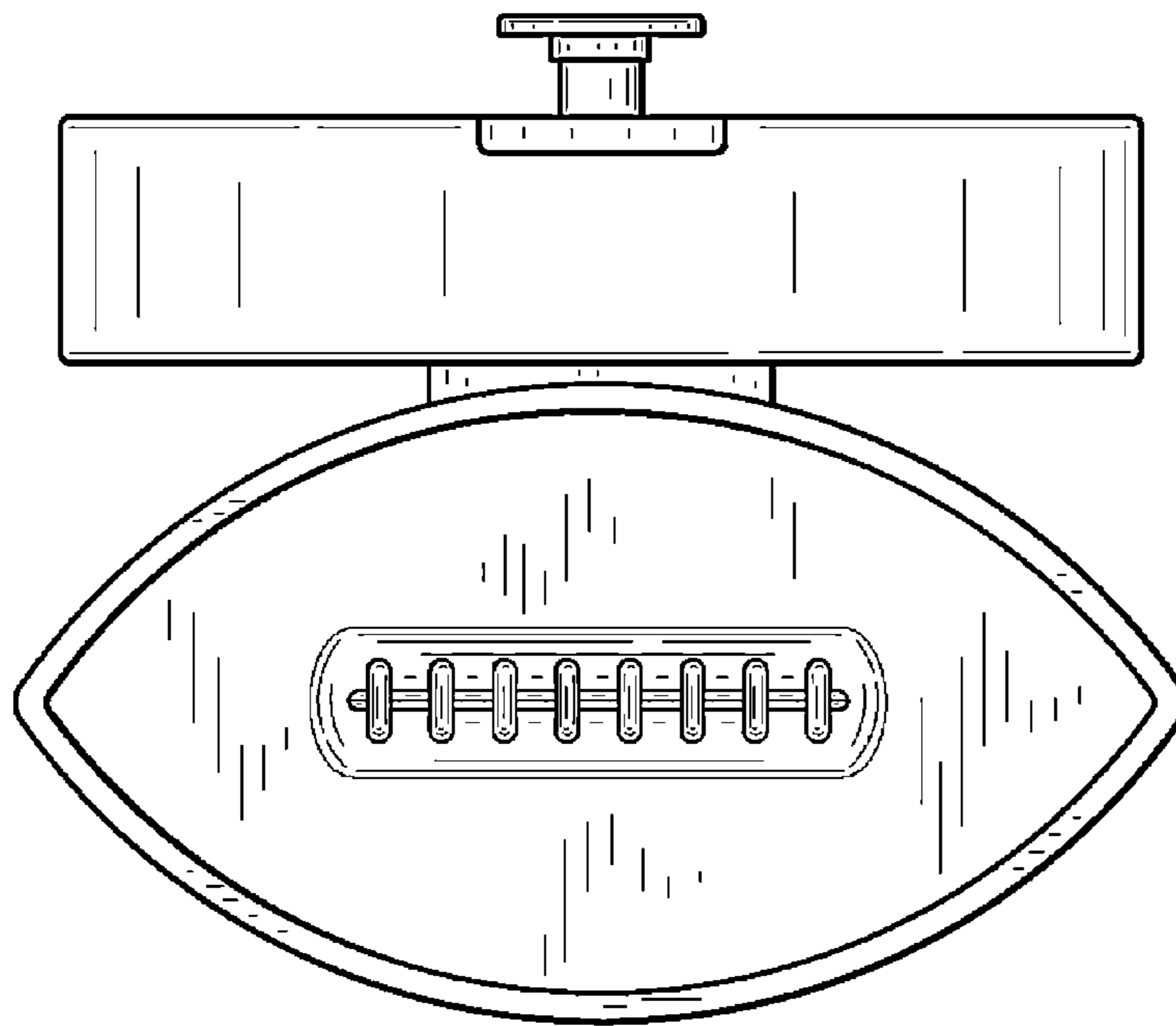


FIG. 8

