



US00D713214S

(12) **United States Design Patent**
Lai

(10) **Patent No.:** **US D713,214 S**
(45) **Date of Patent:** **** Sep. 16, 2014**

- (54) **STITCHED LEATHER COZY**
- (71) Applicant: **Americaware, Inc.**, Camarillo, CA (US)
- (72) Inventor: **Man On Lai**, Hong Kong (HK)
- (73) Assignee: **Americaware, Inc.**, Camarillo, CA (US)
- (**) Term: **14 Years**
- (21) Appl. No.: **29/462,213**
- (22) Filed: **Jul. 31, 2013**
- (51) **LOC (10) Cl.** **07-06**
- (52) **U.S. Cl.**
USPC **D7/625**
- (58) **Field of Classification Search**
USPC D7/619.1-625, 606, 607, 608, 624.1,
D7/624.2, 605, 622, 529, 633; D9/444,
D9/711, 702, 713, 452, 499, 455, 434, 456,
D9/719, 501, 435, 419; 215/11.6,
215/392-396, 12.1, 12.2, 13.1, 399;
206/459.5; 220/737-739, 903, 904,
220/758-759, 673, 592.17, 662; 229/403,
229/87.01, 400, 405; 224/148.4, 247, 242,
224/249, 251; 141/106, 364, 369, 375;
211/74; 248/309.1, 311.2, 311.3, 312,
248/314, 108
See application file for complete search history.

(56) **References Cited**

U.S. PATENT DOCUMENTS

1,395,485	A *	11/1921	Duncan et al.	48/4
D216,425	S *	1/1970	Foster	D22/107
D276,119	S *	10/1984	Heweston	D7/607
4,478,265	A *	10/1984	DeMarco	220/682
4,648,525	A *	3/1987	Henderson	220/739
D293,061	S *	12/1987	Hampton	D7/622
D371,280	S *	7/1996	Moreno	D7/624.3
D371,725	S *	7/1996	Moreno	D7/624.3
D382,483	S *	8/1997	Flasch	D7/620
D433,880	S *	11/2000	Herrera	D7/625
6,164,487	A *	12/2000	Hicks	220/739

6,237,820	B1 *	5/2001	Saxton	224/148.5
6,286,798	B1 *	9/2001	Chun	248/311.2
D533,751	S *	12/2006	Exler	D7/619.1
D584,147	S *	1/2009	Lown et al.	D9/444
D624,367	S *	9/2010	Burton et al.	D7/624.2
D658,013	S *	4/2012	Beisel et al.	D7/625
D664,008	S *	7/2012	Welch	D7/606
2005/0121410	A1 *	6/2005	Paikin et al.	215/392
2007/0138188	A1 *	6/2007	Mace et al.	220/739
2008/0017654	A1 *	1/2008	Chu	220/739
2009/0255941	A1 *	10/2009	Kuntz	220/592.17
2013/0240549	A1 *	9/2013	Beggins et al.	220/739

* cited by examiner

Primary Examiner — Ian Simmons

Assistant Examiner — Shannon Morgan

(74) *Attorney, Agent, or Firm* — SoCal IP Law Group LLP;
Steven C. Sereboff; M. Kala Sarvaiya

(57) **CLAIM**

The ornamental design for a stitched leather cozy, as shown and described.

DESCRIPTION

A portion of the disclosure of this patent document contains material which is subject to copyright protection. The copyright owner has no objection to the facsimile reproduction by anyone of the patent disclosure as it appears in the Patent and Trademark Office patent files or records, but otherwise reserves all copyright rights whatsoever.

FIG. 1 is a top, left, front perspective view of a stitched leather cozy showing my new design.

FIG. 2 is a top plan view thereof.

FIG. 3 is a bottom plan view thereof.

FIG. 4 is a left side elevation view thereof.

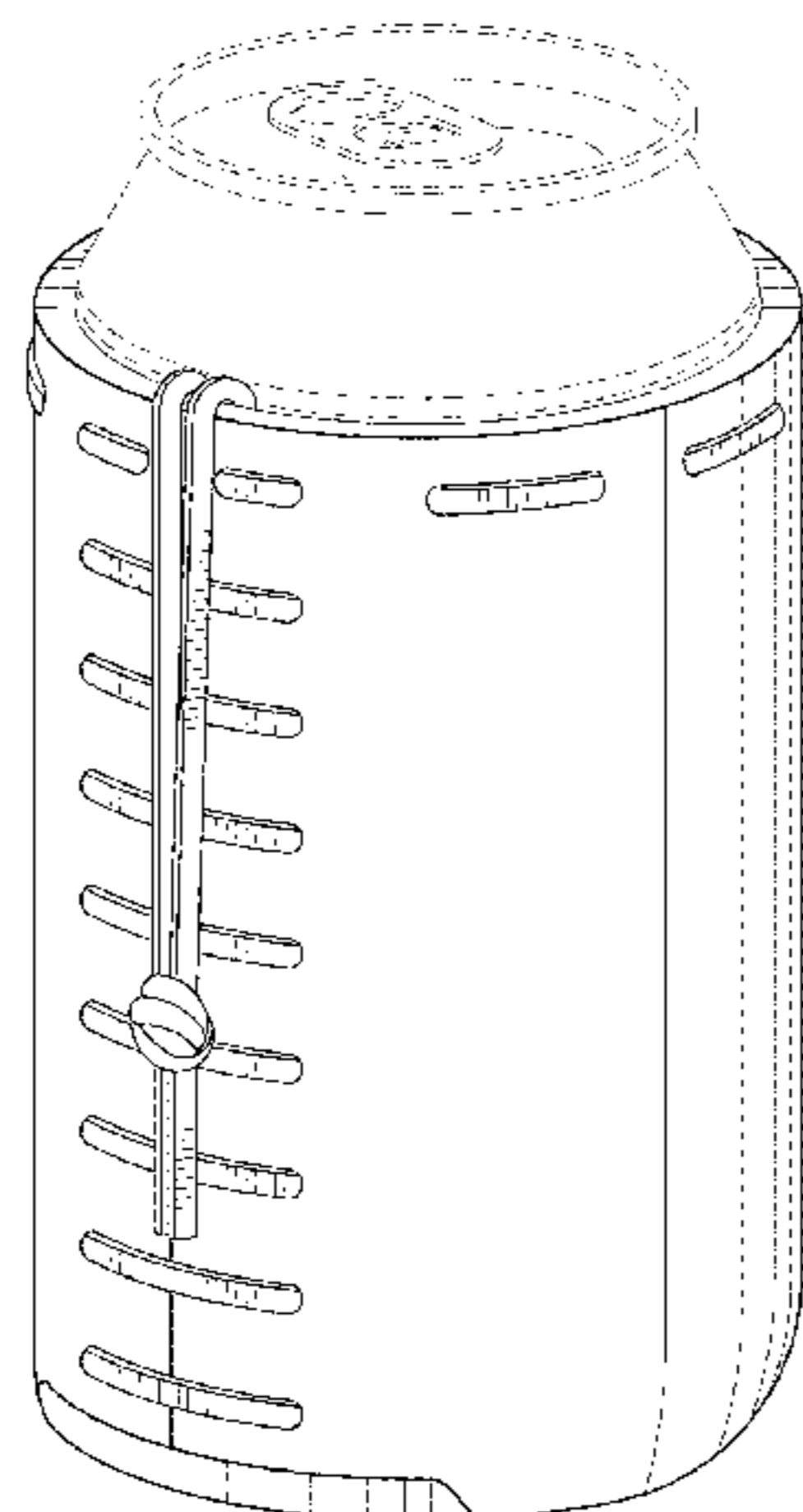
FIG. 5 is a right side elevation view thereof.

FIG. 6 is a front side elevation view thereof; and,

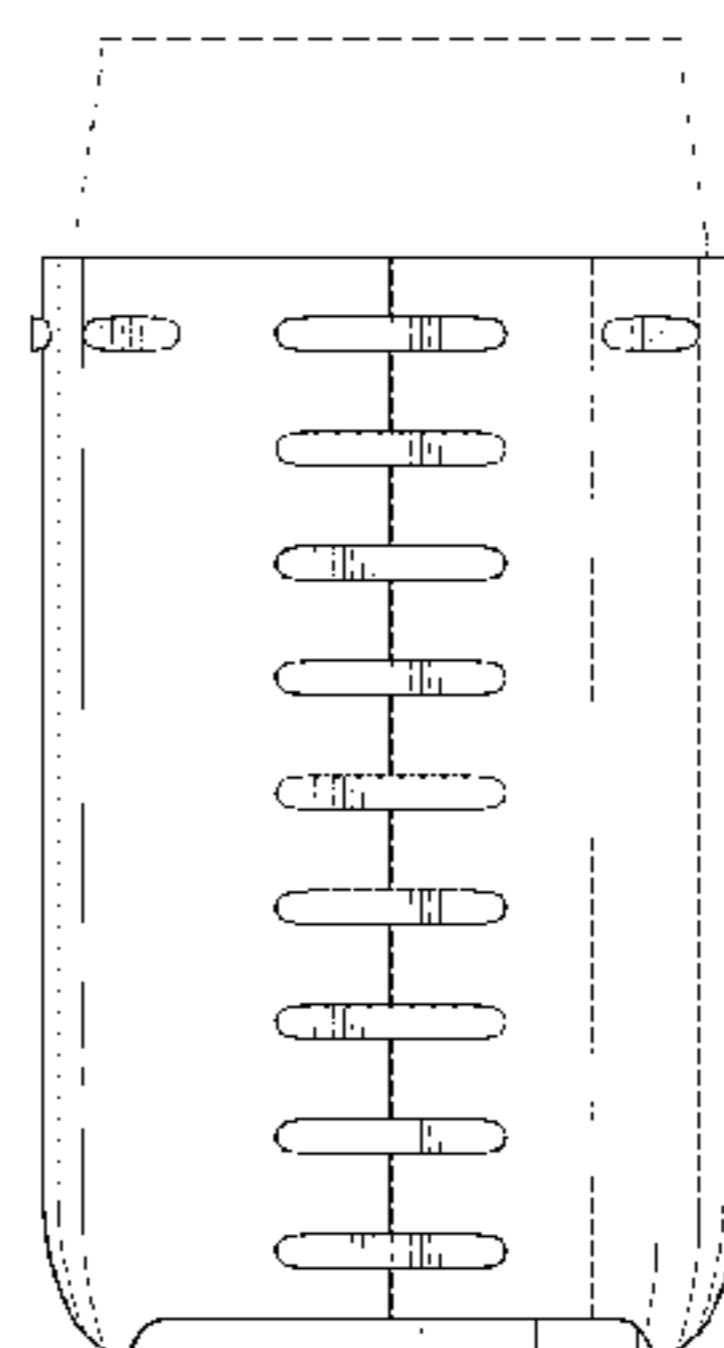
FIG. 7 is a rear side elevation view thereof.

The broken lines in FIGS. 1, 2, and 4-7 of the stitched leather cozy are for the purpose of illustrating environment, and form no part of the claimed design.

1 Claim, 4 Drawing Sheets



© Americaware, Inc.



© Americaware, Inc.

FIG. 1

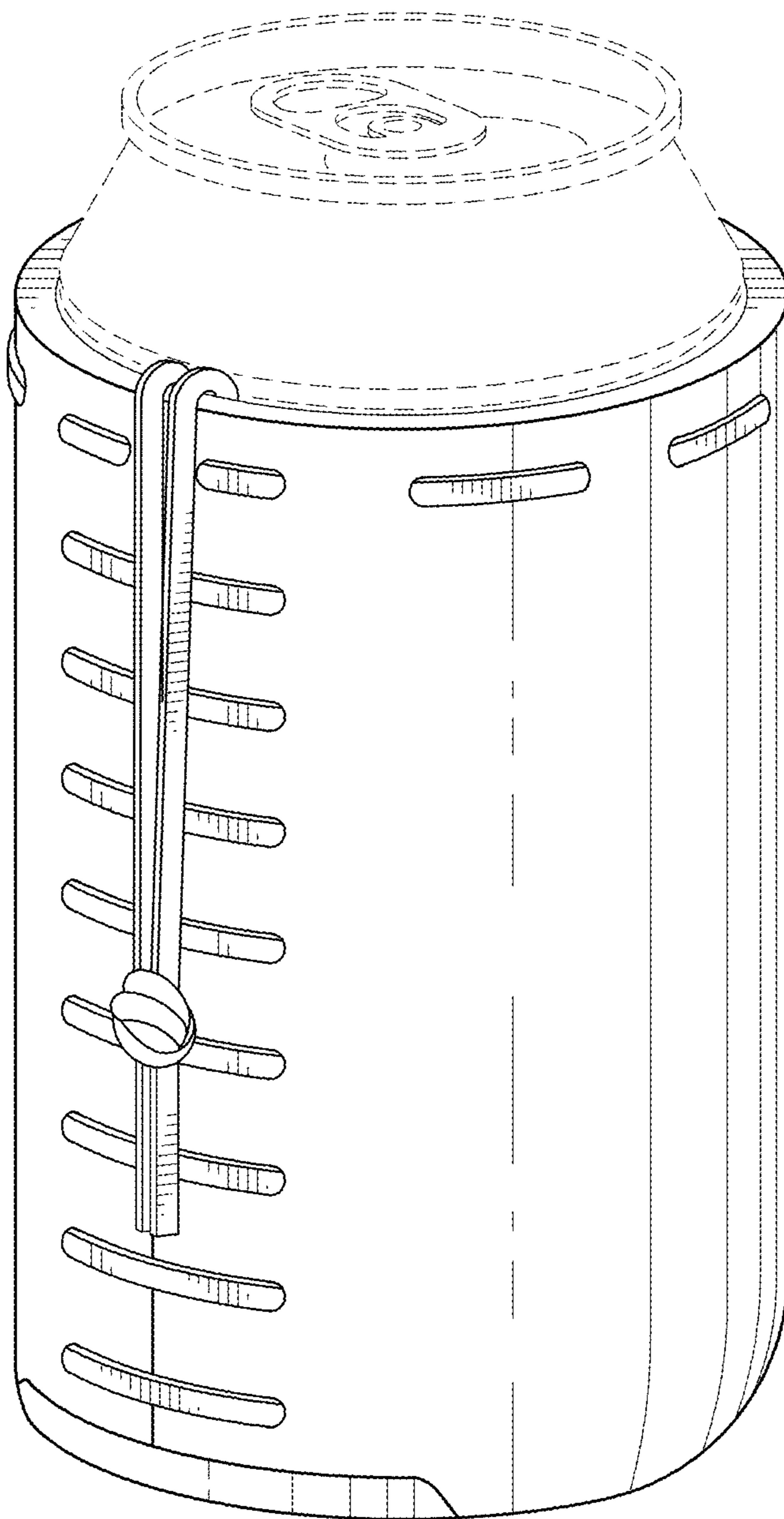
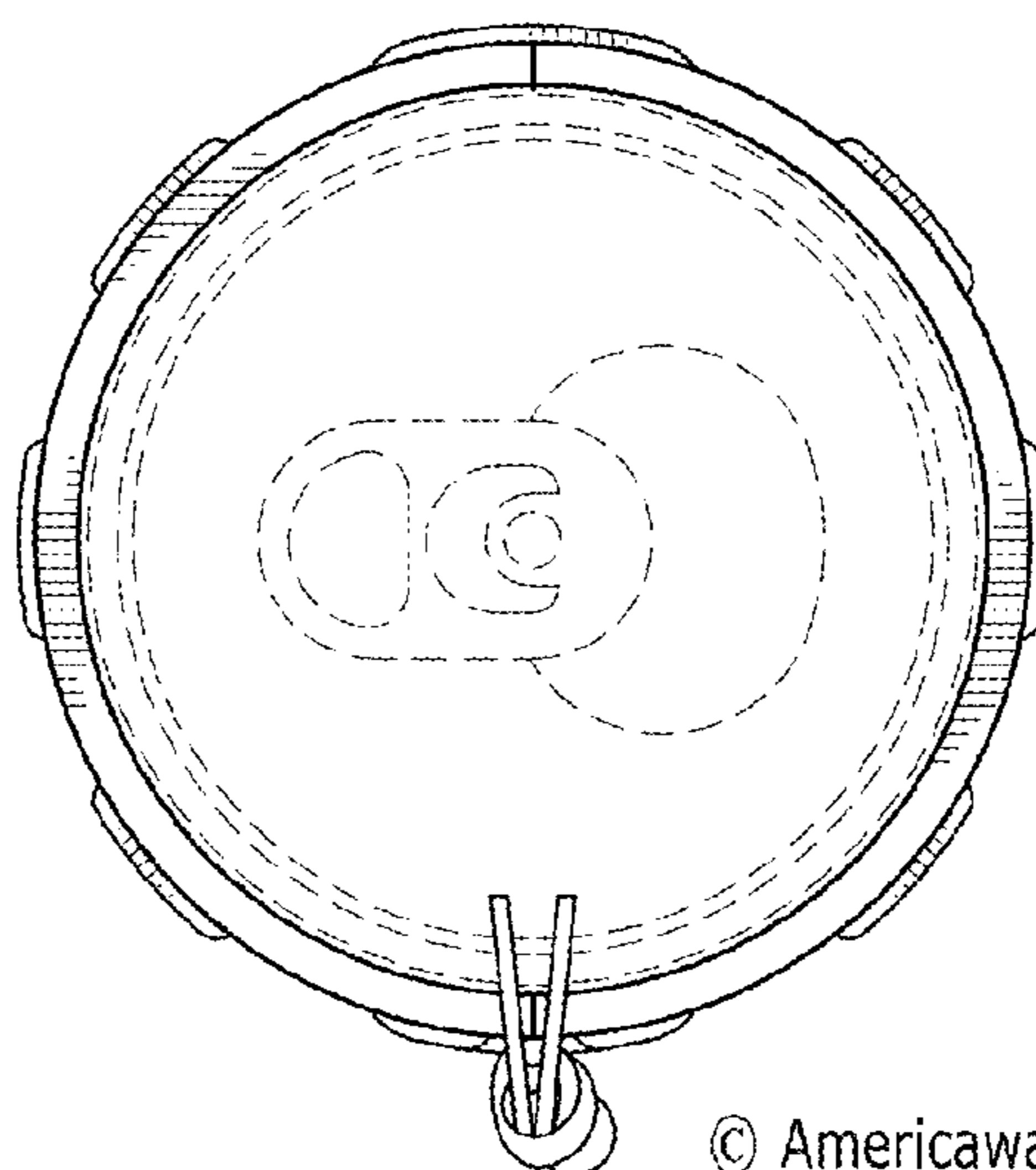


FIG. 2



© Americaware, Inc.

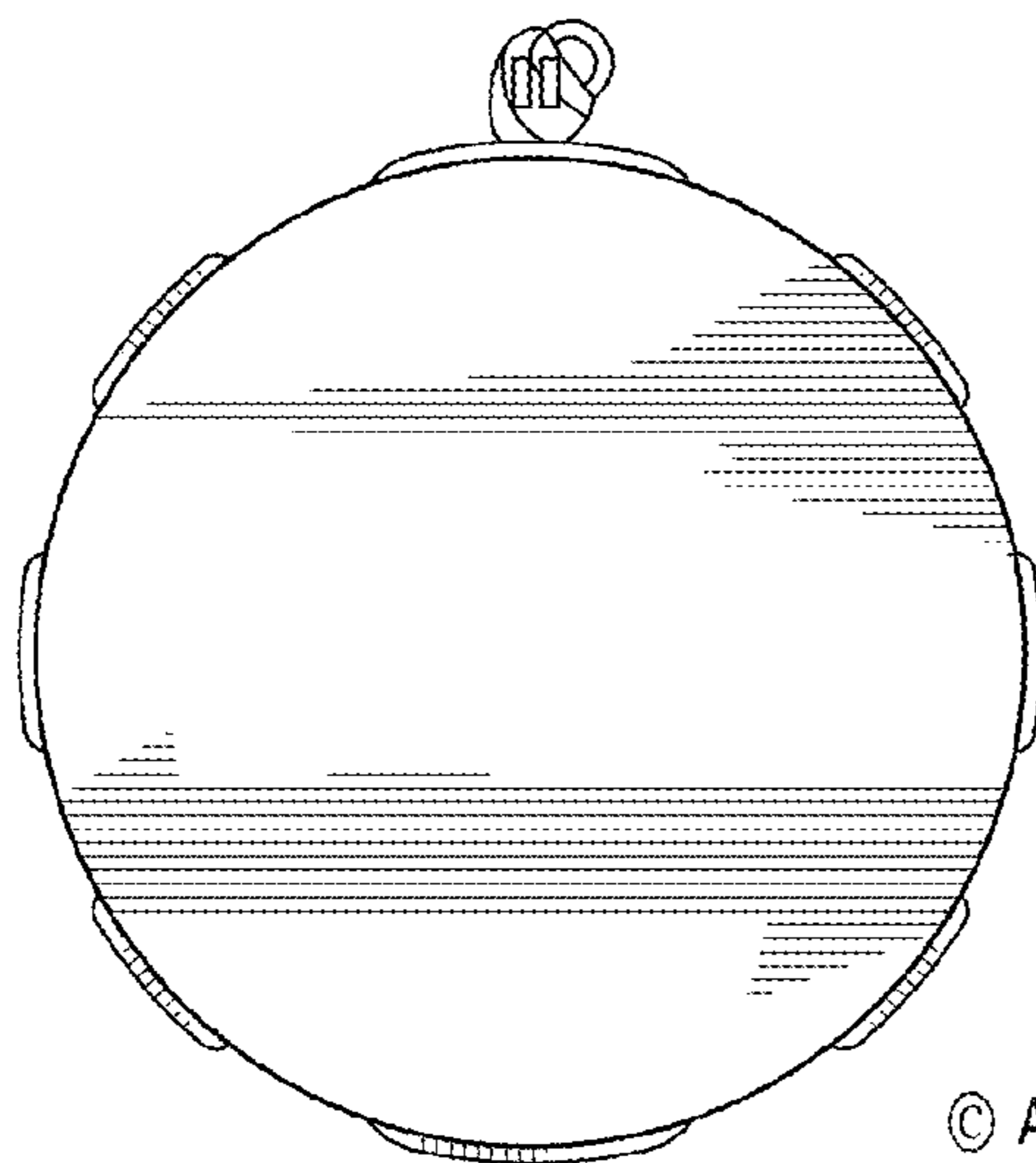


FIG. 3

© Americaware, Inc.

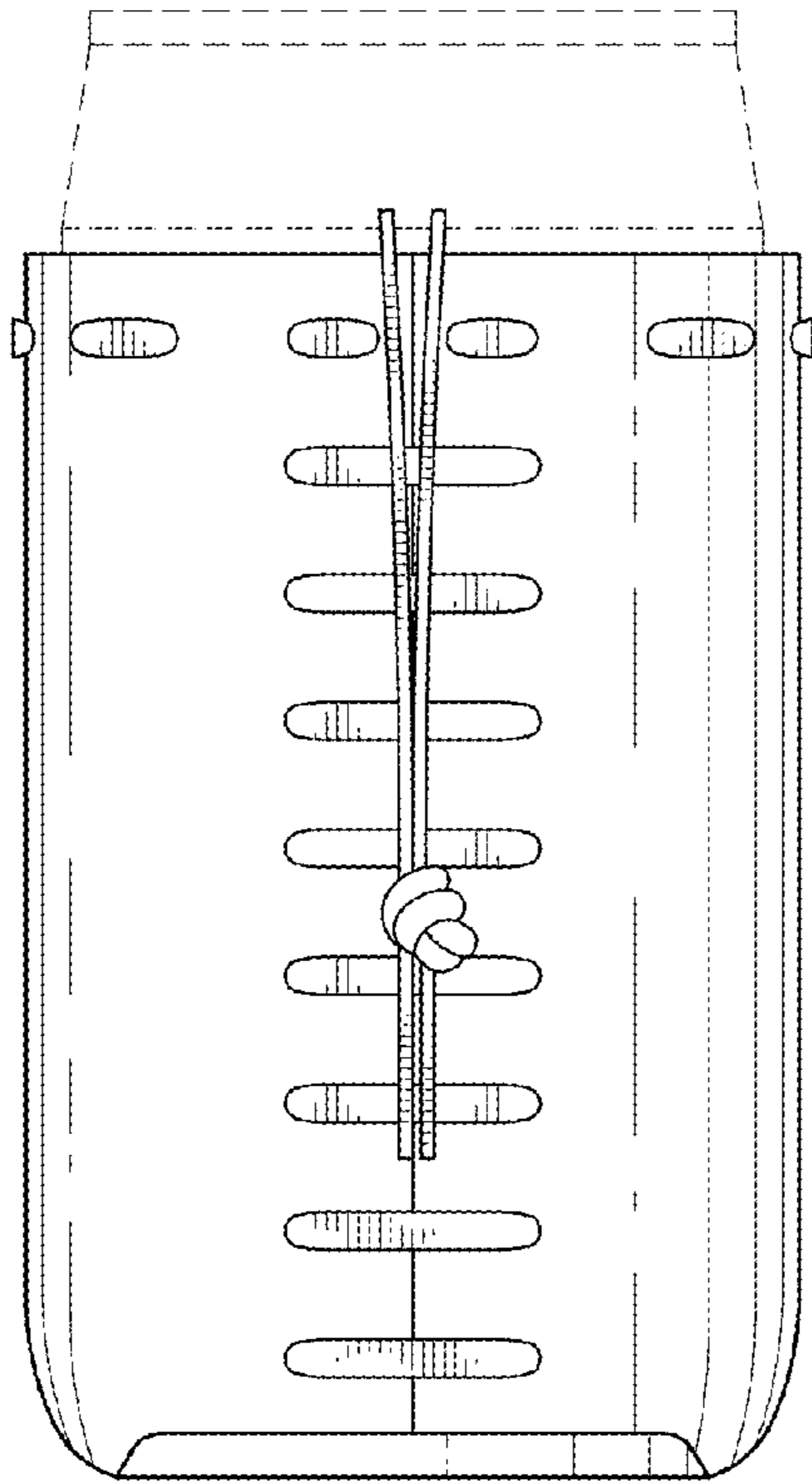


FIG. 4

© Americaware, Inc.

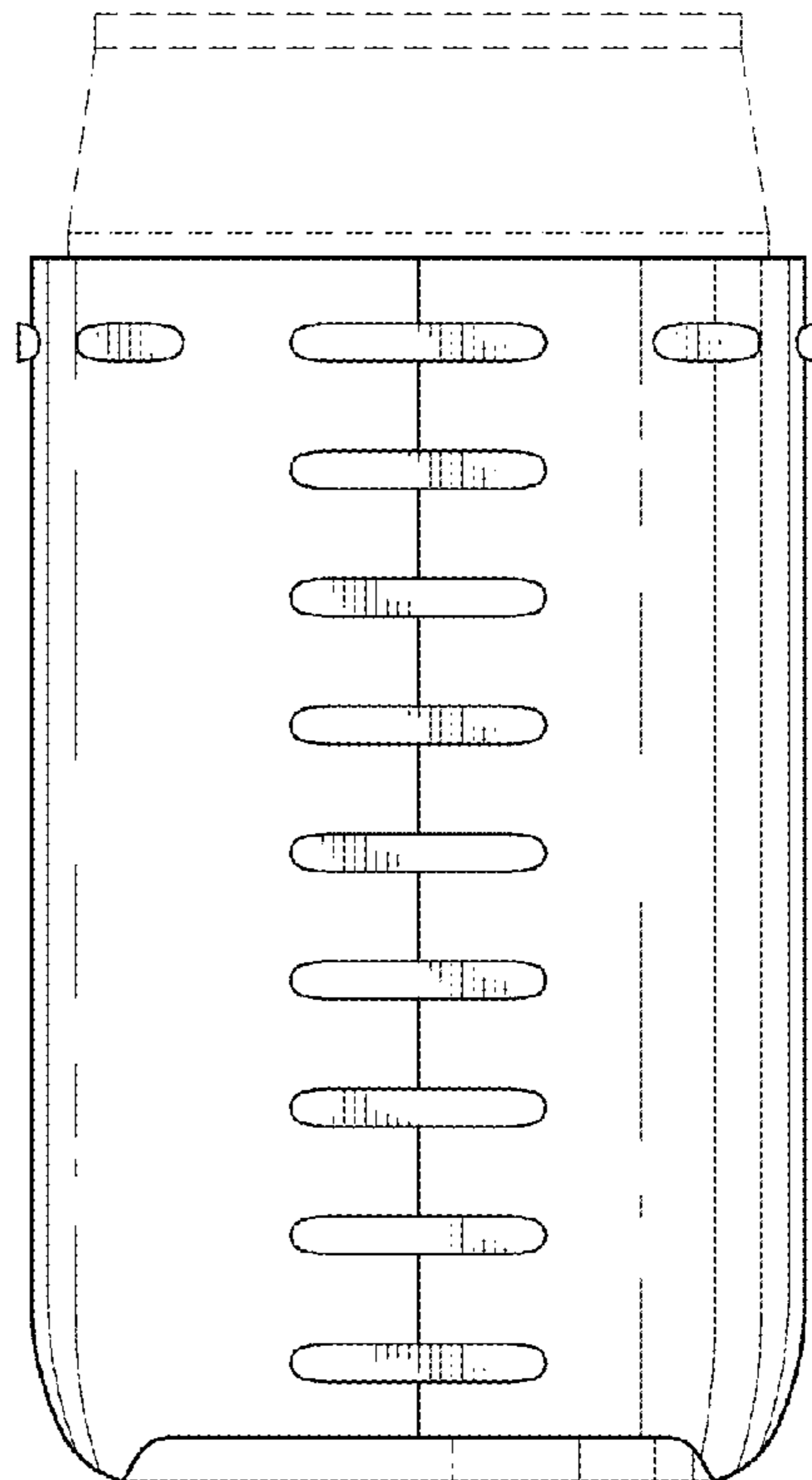


FIG. 5

© Americaware, Inc.

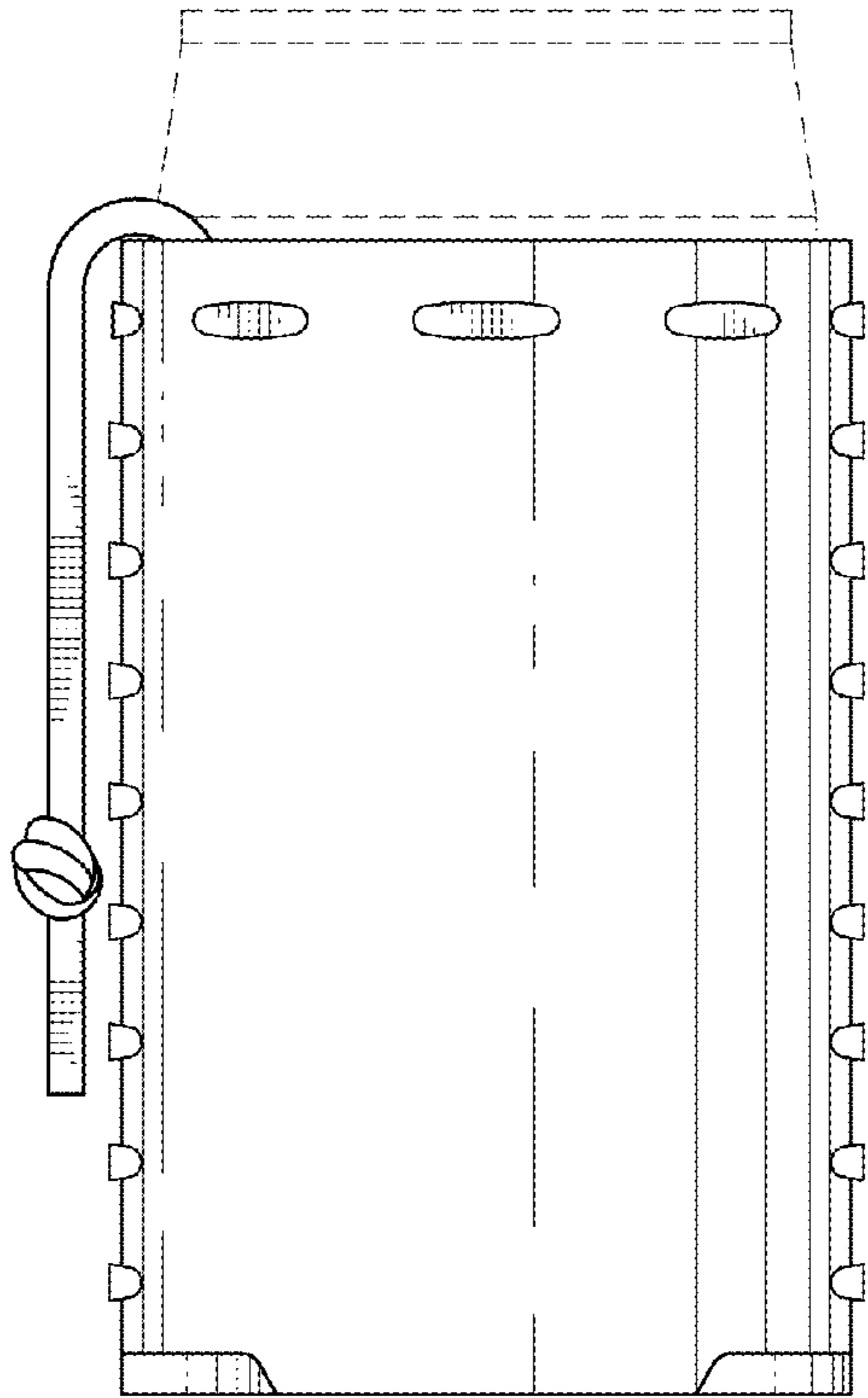


FIG. 6

© Americaware, Inc.

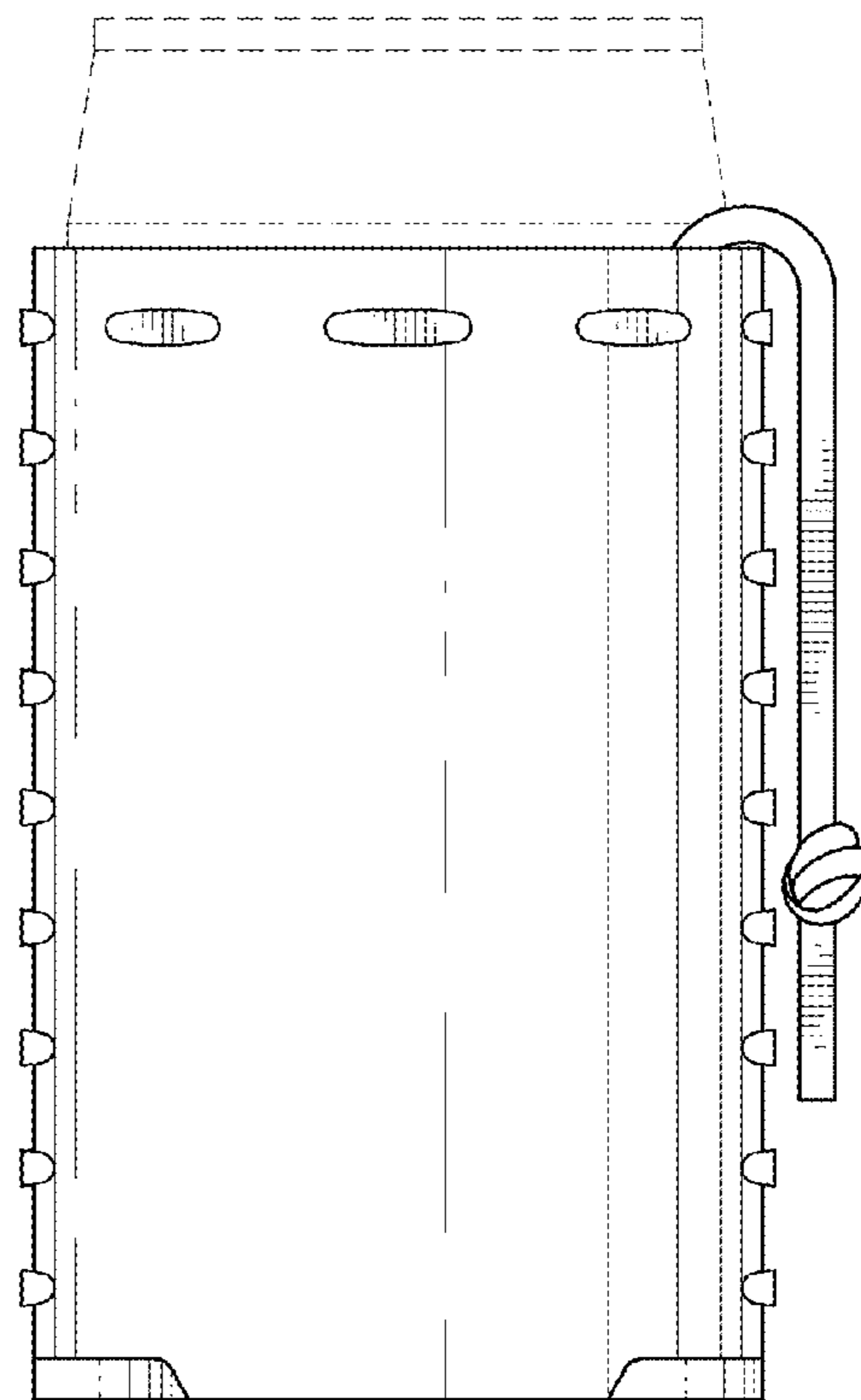


FIG. 7

© Americaware, Inc.