



US00D713213S

(12) **United States Design Patent**
Day

(10) **Patent No.:** **US D713,213 S**

(45) **Date of Patent:** **** Sep. 16, 2014**

(54) **HELMET SHAPED COOLER**

(71) Applicant: **Donald Paul Day**, Baton Rouge, LA
(US)

(72) Inventor: **Donald Paul Day**, Baton Rouge, LA
(US)

(73) Assignee: **Donald Paul Day**, Baton Rouge, LA
(US)

(**) Term: **14 Years**

(21) Appl. No.: **29/463,231**

(22) Filed: **Sep. 17, 2013**

(51) **LOC (10) Cl.** **07-01**

(52) **U.S. Cl.**
USPC **D7/606**

(58) **Field of Classification Search**
CPC F25D 2331/804
USPC D7/605-608; D3/271.3, 271.1, 271.4;
62/457.1-457.9, 371, 372, 331;
220/592.16-592.27, 592.2, 915.1,
220/915.2, 592.01; D6/694, 686;
297/188.1, 188.04, 217.1, 184.15;
280/47.18, 47.26, 655, 655.1, 652,
280/638, 47.17, 47.23, 47.33, 47.2, 47.24,
280/47.21

See application file for complete search history.

(56) **References Cited**

U.S. PATENT DOCUMENTS

D231,523 S * 4/1974 Baker D12/83
D349,630 S * 8/1994 Redmon D7/606
D521,322 S * 5/2006 Loving D7/606
2003/0168371 A1* 9/2003 Weimer 206/457
2008/0223862 A1* 9/2008 Vanderberg et al. 220/592.03

* cited by examiner

Primary Examiner — Terry Wallace

(74) *Attorney, Agent, or Firm* — Donald Paul Day

(57) **CLAIM**

The ornamental design for a helmet shaped cooler, as shown and described.

DESCRIPTION

FIG. 1 is a right side perspective view of a helmet shaped cooler showing our new design, the left side view being a mirror image.

FIG. 2 is a right side view thereof, the left side being a mirror image.

FIG. 3 is a front view thereof.

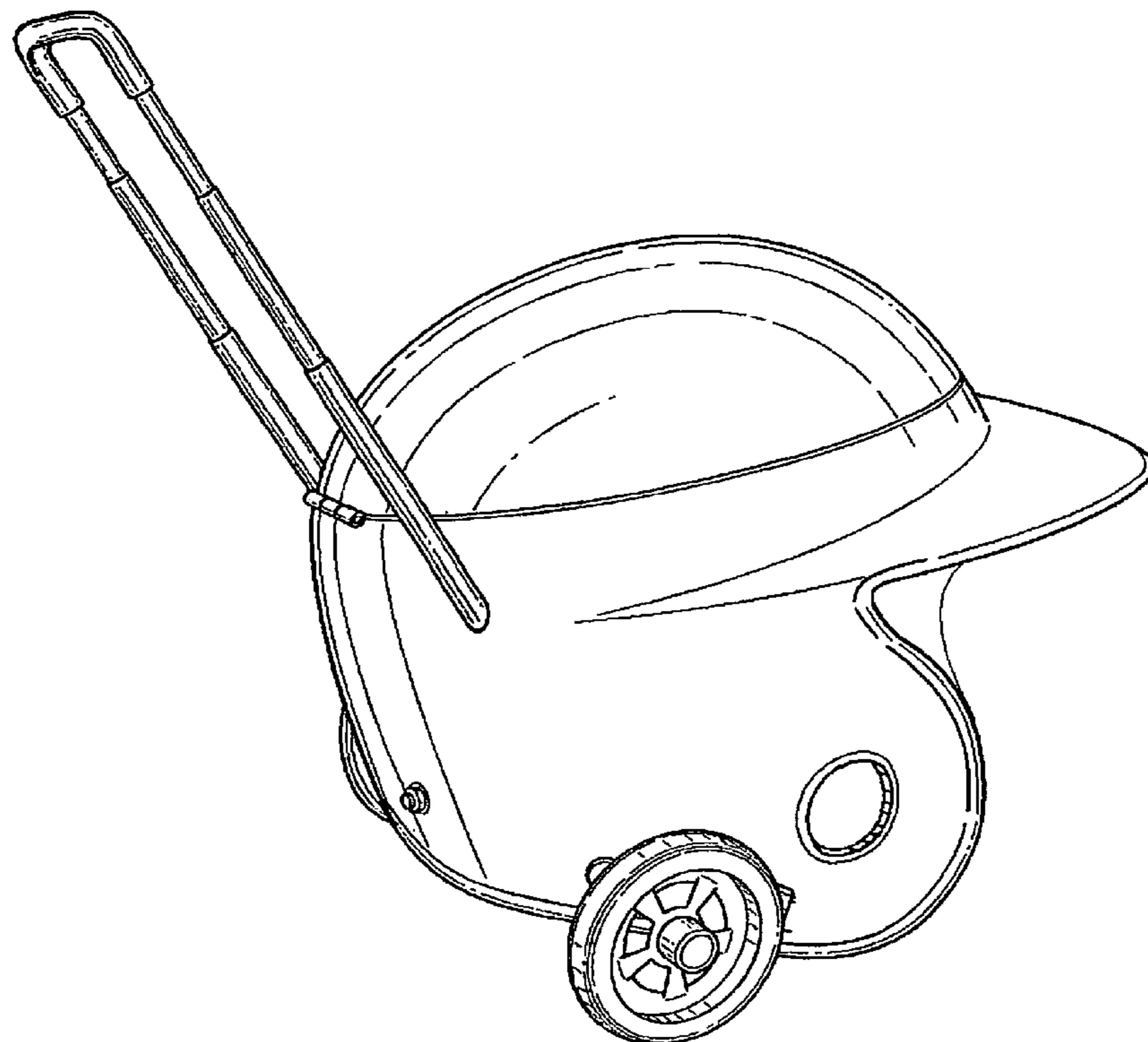
FIG. 4 is a rear view thereof.

FIG. 5 is a top plan view thereof.

FIG. 6 is a right side perspective view thereof, with the lid raised, the left side view being a mirror image; and,

FIG. 7 is a right side perspective view thereof, with the handle retracted, the left side view being a mirror image.

1 Claim, 7 Drawing Sheets



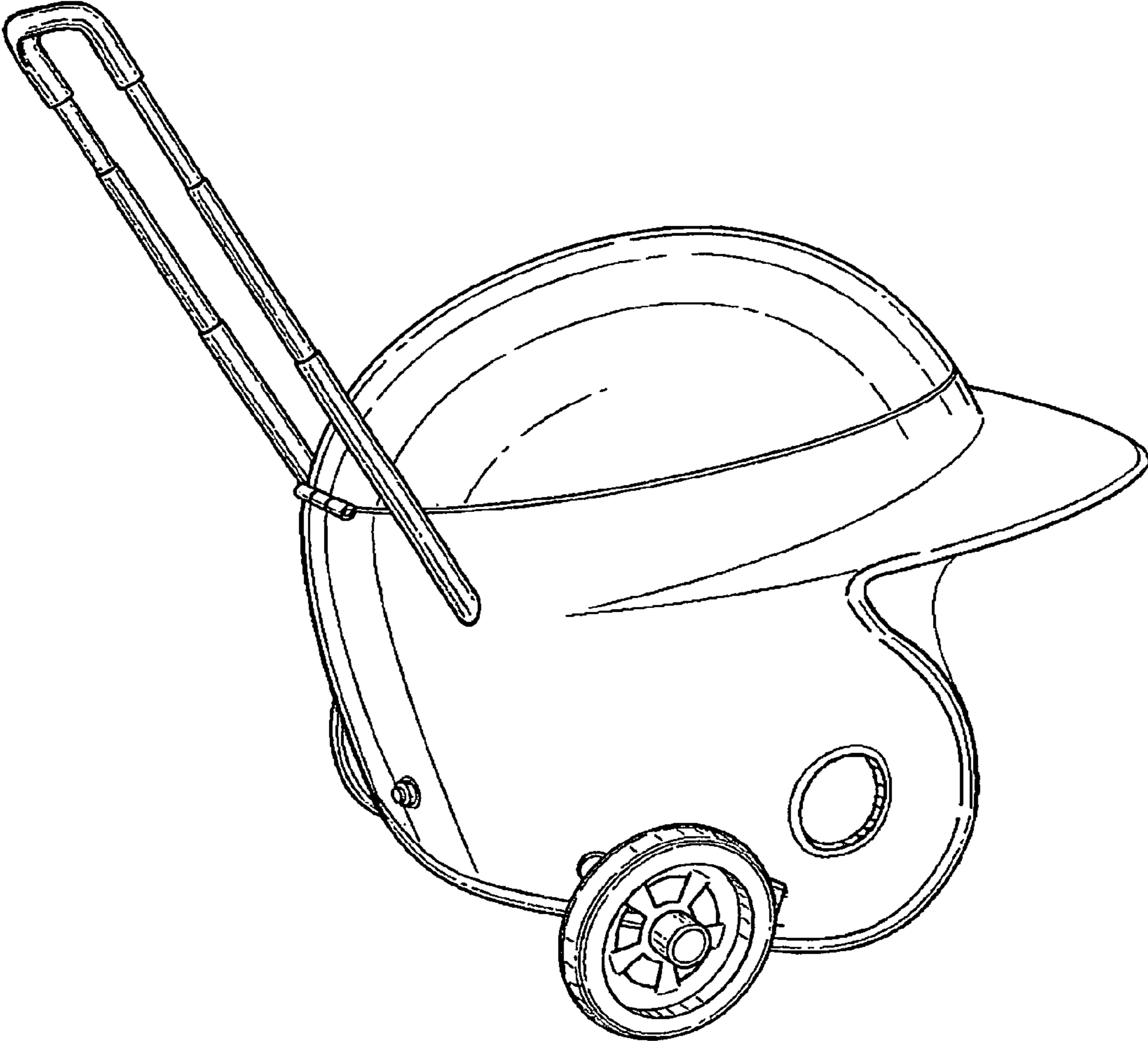


FIG. 1

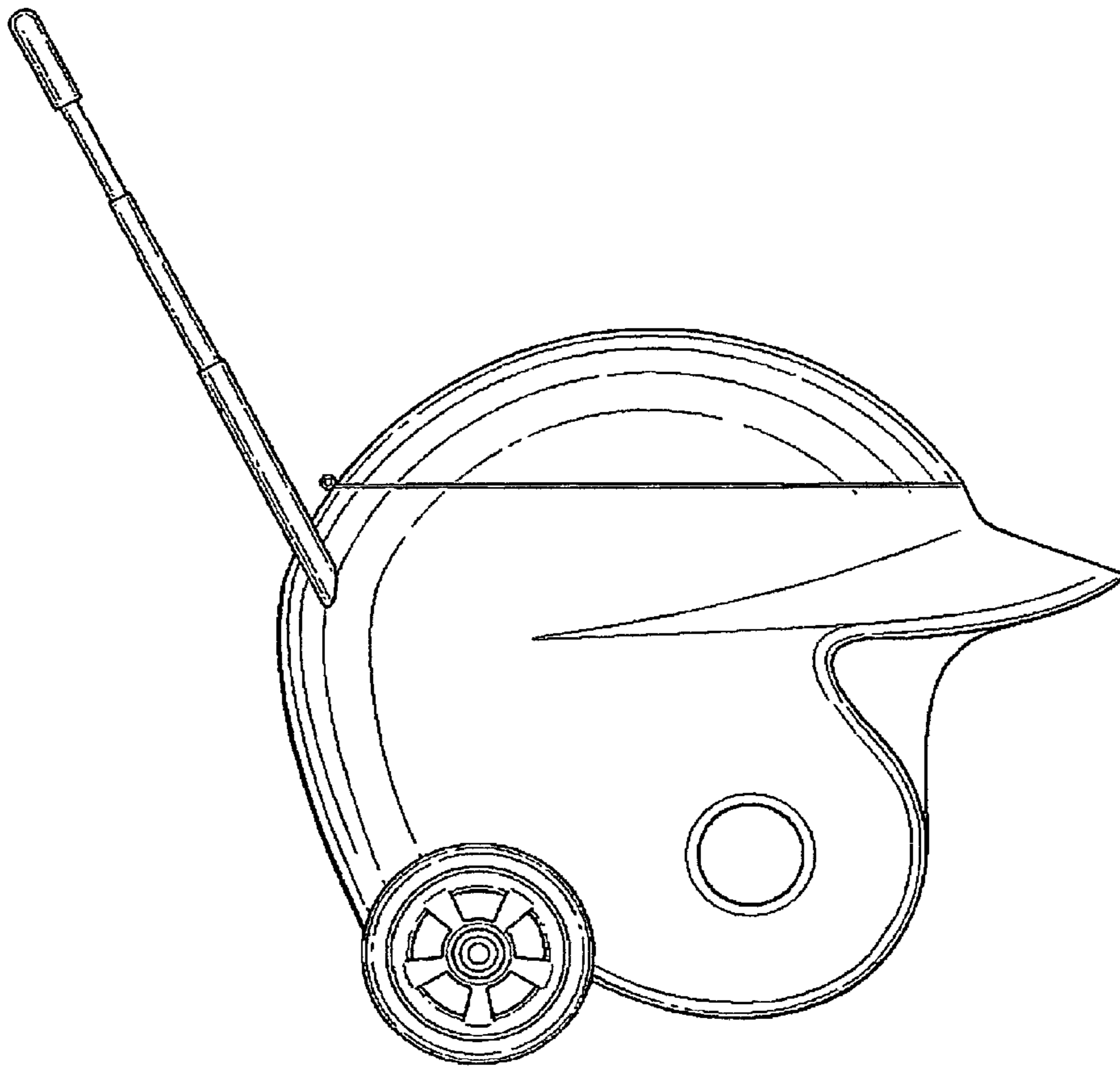


FIG. 2

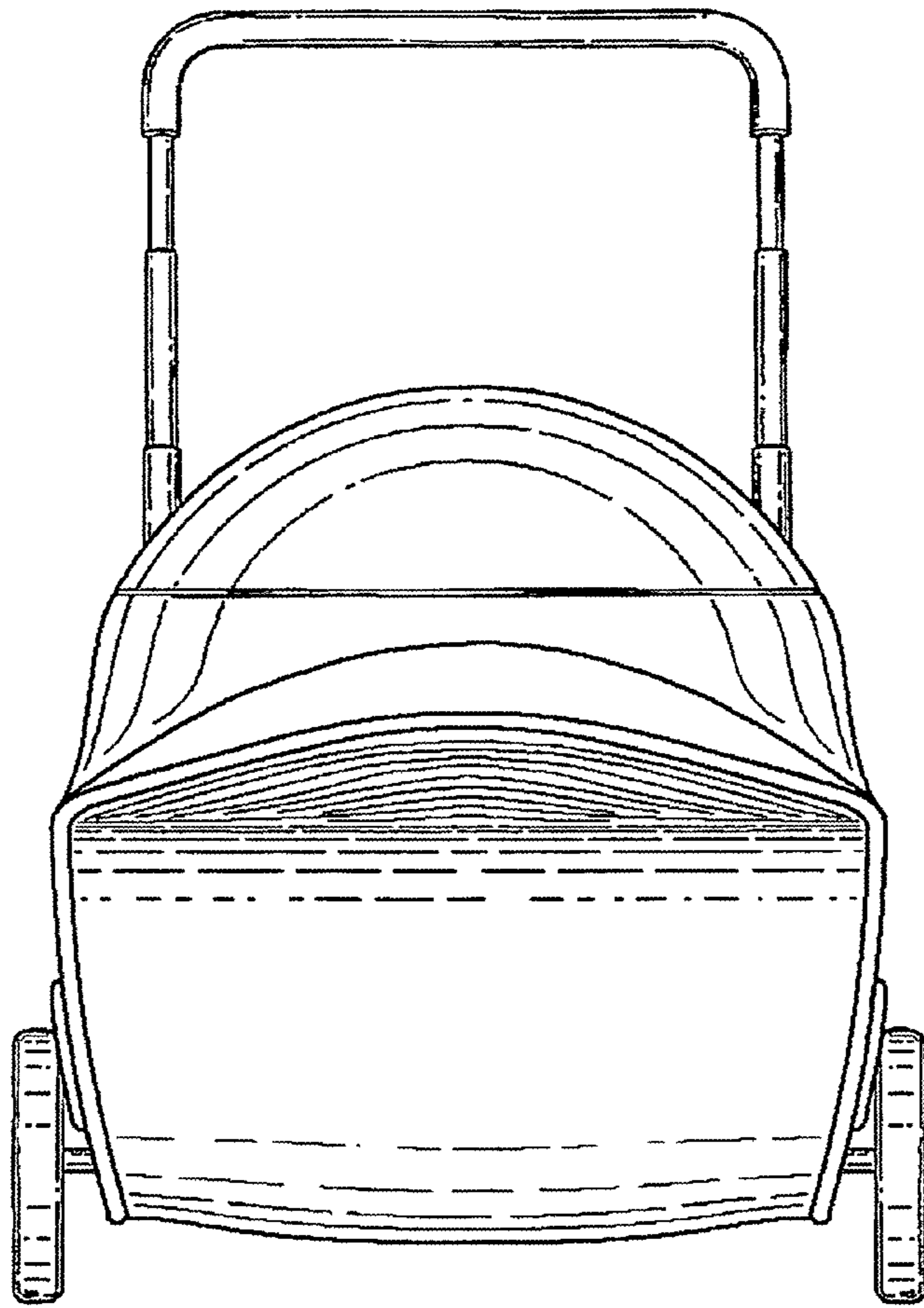


FIG. 3

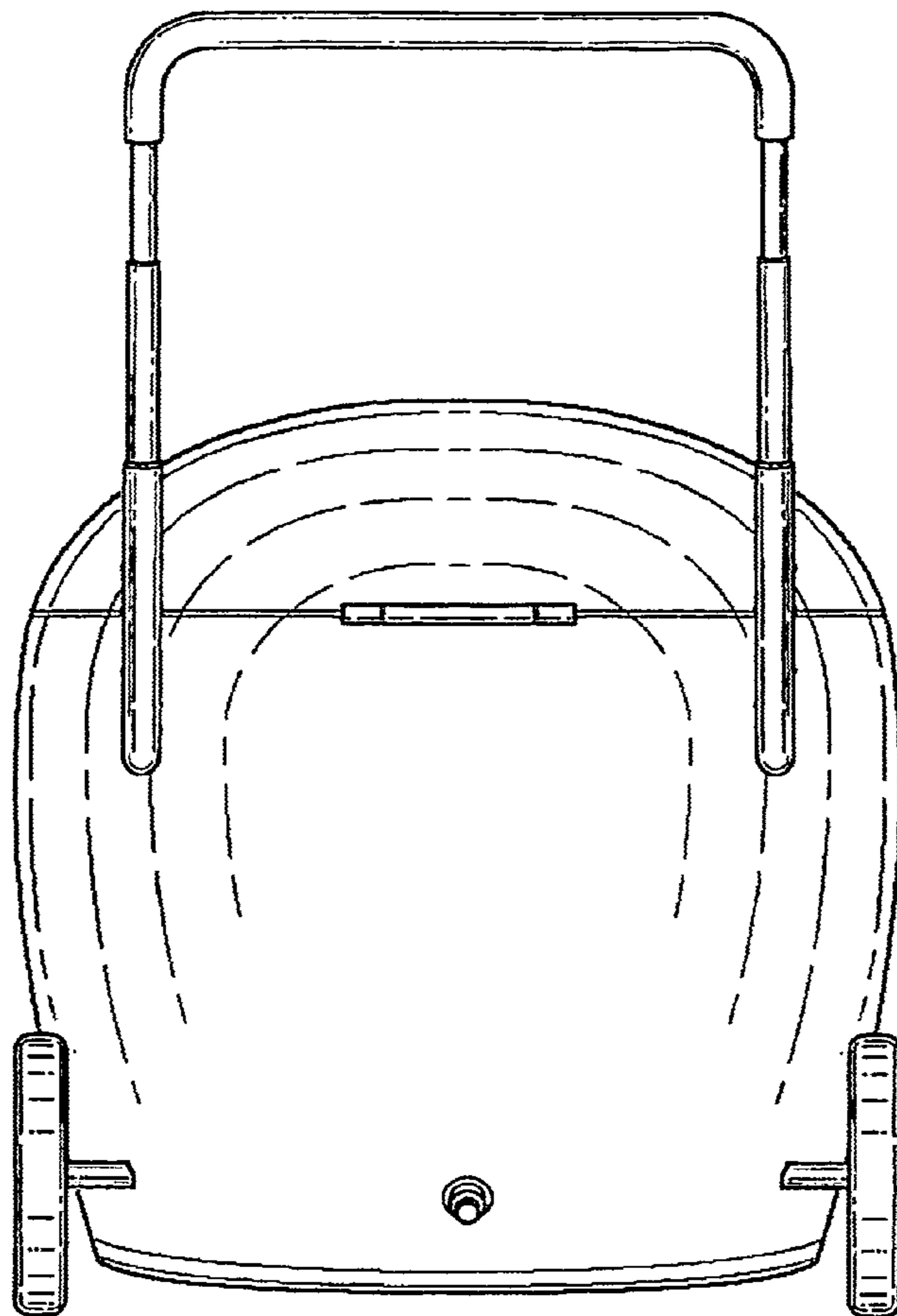


FIG. 4

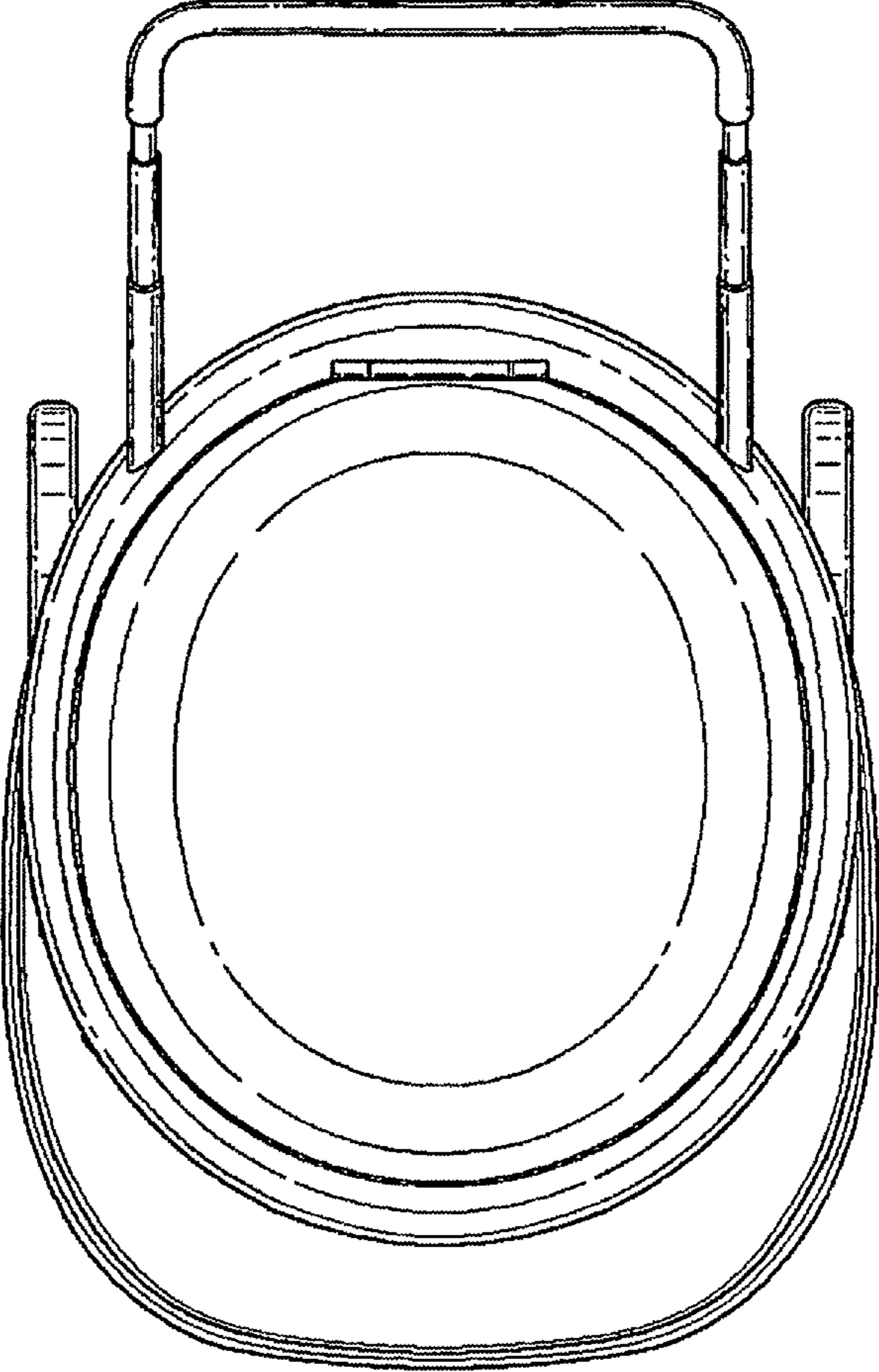


FIG. 5

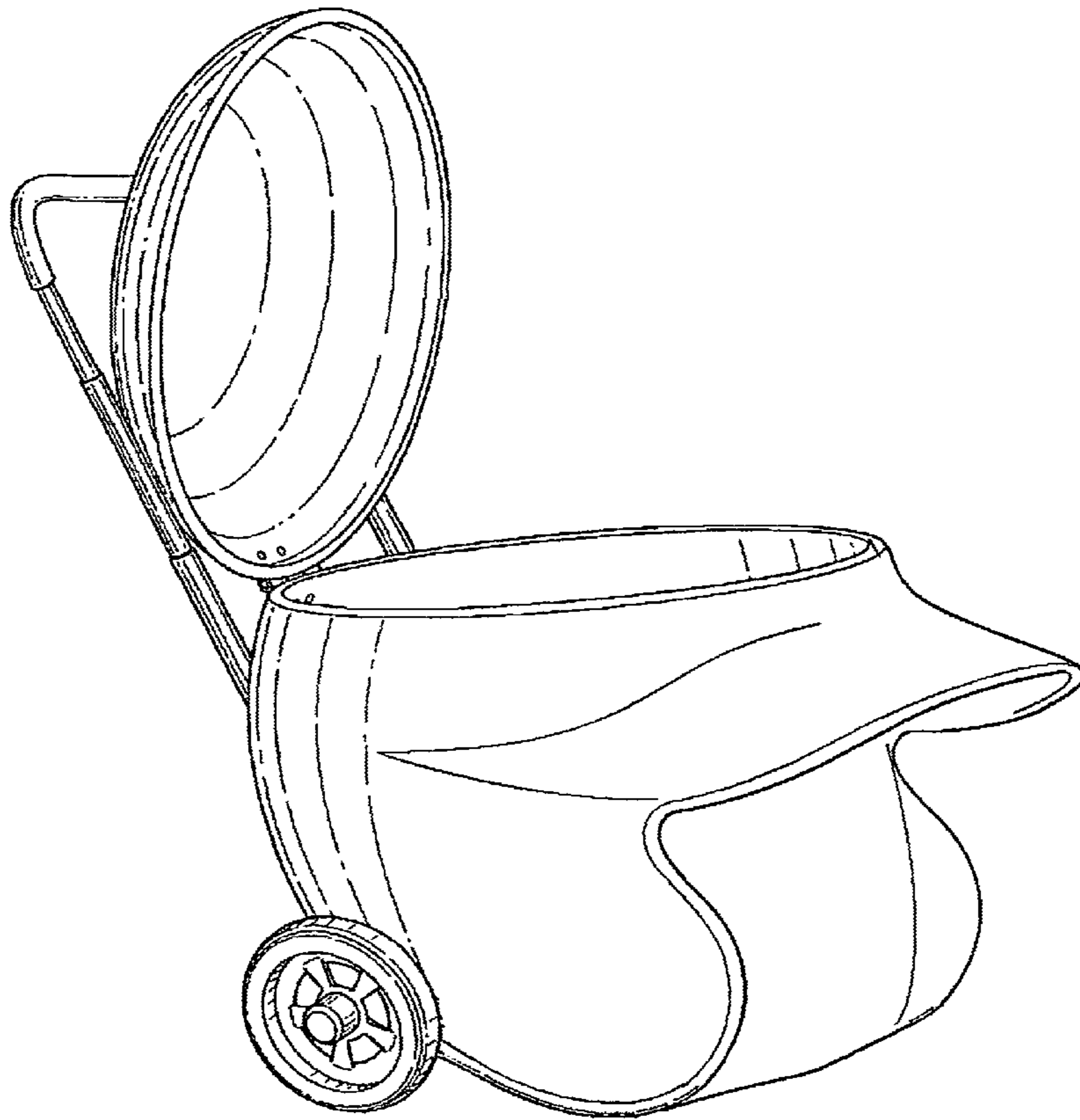


FIG. 6

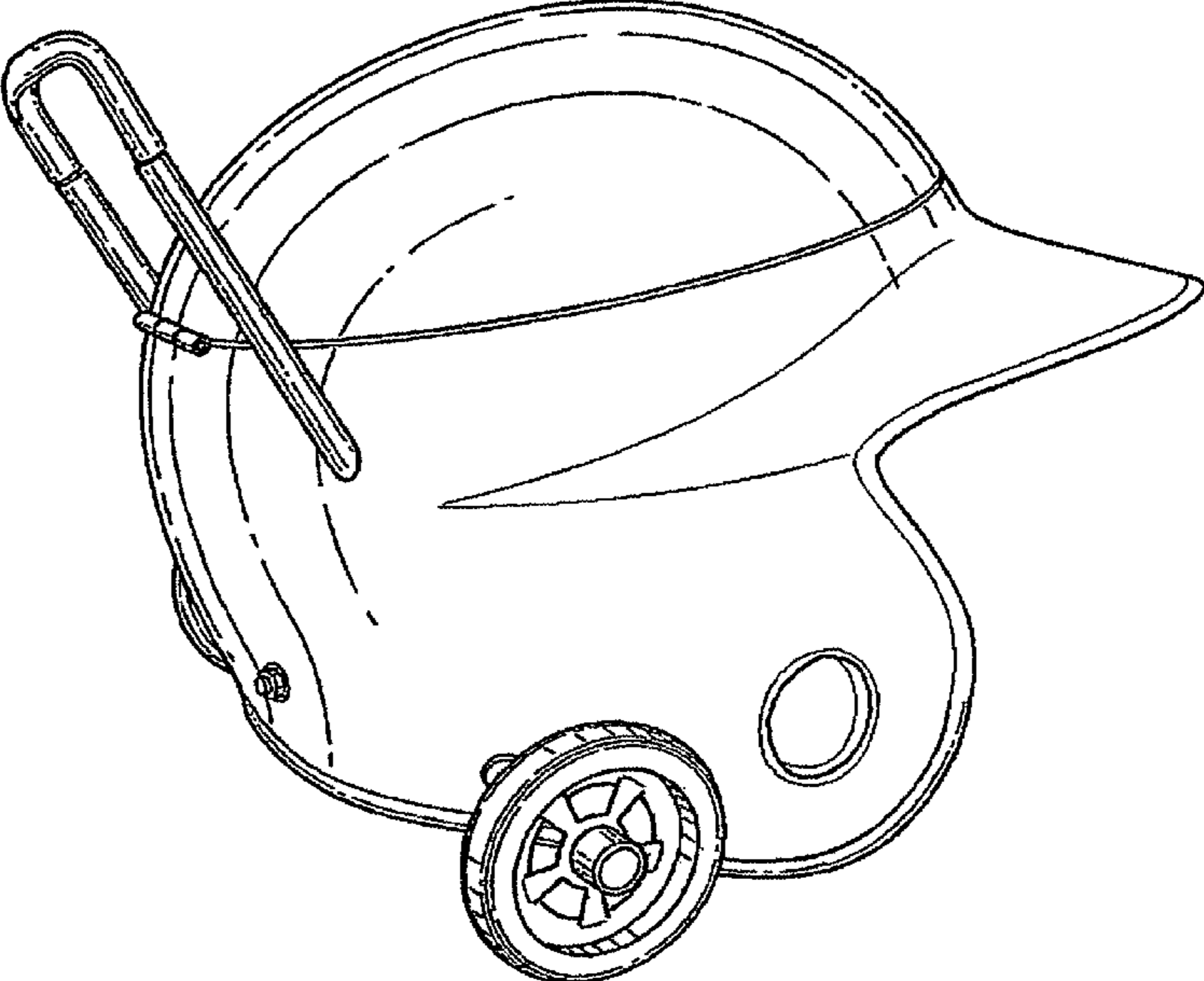


FIG. 7