



US00D713211S

(12) **United States Design Patent**
Boroski

(10) **Patent No.:** **US D713,211 S**
(45) **Date of Patent:** **** Sep. 16, 2014**

(54) **COOLER**

(71) Applicant: **Thermos L.L.C.**, Schaumburg, IL (US)

(72) Inventor: **Dwayne Boroski**, Lake in the Hills, IL (US)

(73) Assignee: **Thermos L.L.C.**, Schaumburg, IL (US)

(**) Term: **14 Years**

(21) Appl. No.: **29/451,092**

(22) Filed: **Mar. 27, 2013**

(51) **LOC (10) Cl.** **07-01**

(52) **U.S. Cl.**
USPC **D7/605**

(58) **Field of Classification Search**
CPC F25D 2331/804
USPC D7/605-608; D3/232, 233, 241, 240;
62/457.1-457.9, 371, 372, 529, 530;
220/915.1, 915.2, 562.2, 592.01,
220/592.16, 592.17-592.27
See application file for complete search history.

(56) **References Cited**

U.S. PATENT DOCUMENTS

D307,226 S * 4/1990 Baker D7/605
5,365,739 A * 11/1994 Fetterly 62/3.62
6,047,976 A * 4/2000 Wang 62/457.7
D603,664 S * 11/2009 Roefs et al. D7/709

* cited by examiner

Primary Examiner — Terry Wallace

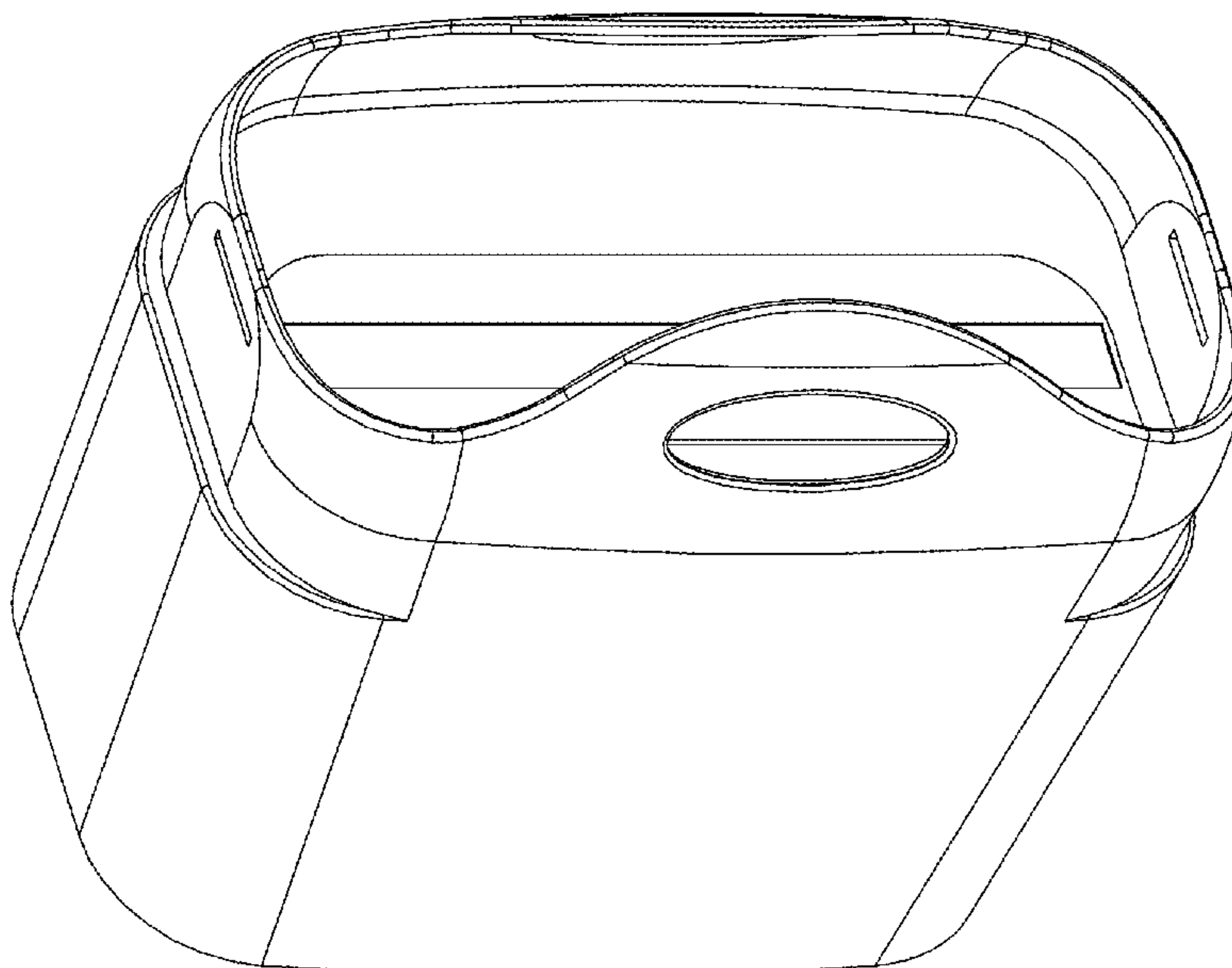
(74) *Attorney, Agent, or Firm* — Polsinelli PC

(57) **CLAIM**
The ornamental design for a cooler, as shown and described.

DESCRIPTION

FIG. 1 is a top perspective view of a cooler showing an exemplary embodiment of my new design;
FIG. 2 is a bottom perspective view of the cooler shown in FIG. 1;
FIG. 3 is a front elevation view of the cooler shown in FIG. 1;
FIG. 4 is a right side elevation view of the cooler shown in FIG. 1;
FIG. 5 is a back side elevation view of the cooler shown in FIG. 1;
FIG. 6 is a left side elevation view of the cooler shown in FIG. 1;
FIG. 7 is a top elevation view of the cooler shown in FIG. 1;
FIG. 8 is a bottom elevation view of the cooler shown in FIG. 1;
FIG. 9 is a top perspective view of a cooler showing an exemplary embodiment of my new design;
FIG. 10 is a bottom perspective view of the cooler shown in FIG. 9;
FIG. 11 is a front elevation view of the cooler shown in FIG. 9;
FIG. 12 is a right side elevation view of the cooler shown in FIG. 9;
FIG. 13 is a back side elevation view of the cooler shown in FIG. 9;
FIG. 14 is a left side elevation view of the cooler shown in FIG. 9;
FIG. 15 is a top elevation view of the cooler shown in FIG. 9;
and,
FIG. 16 is a bottom elevation view of the cooler shown in FIG. 9.

1 Claim, 16 Drawing Sheets



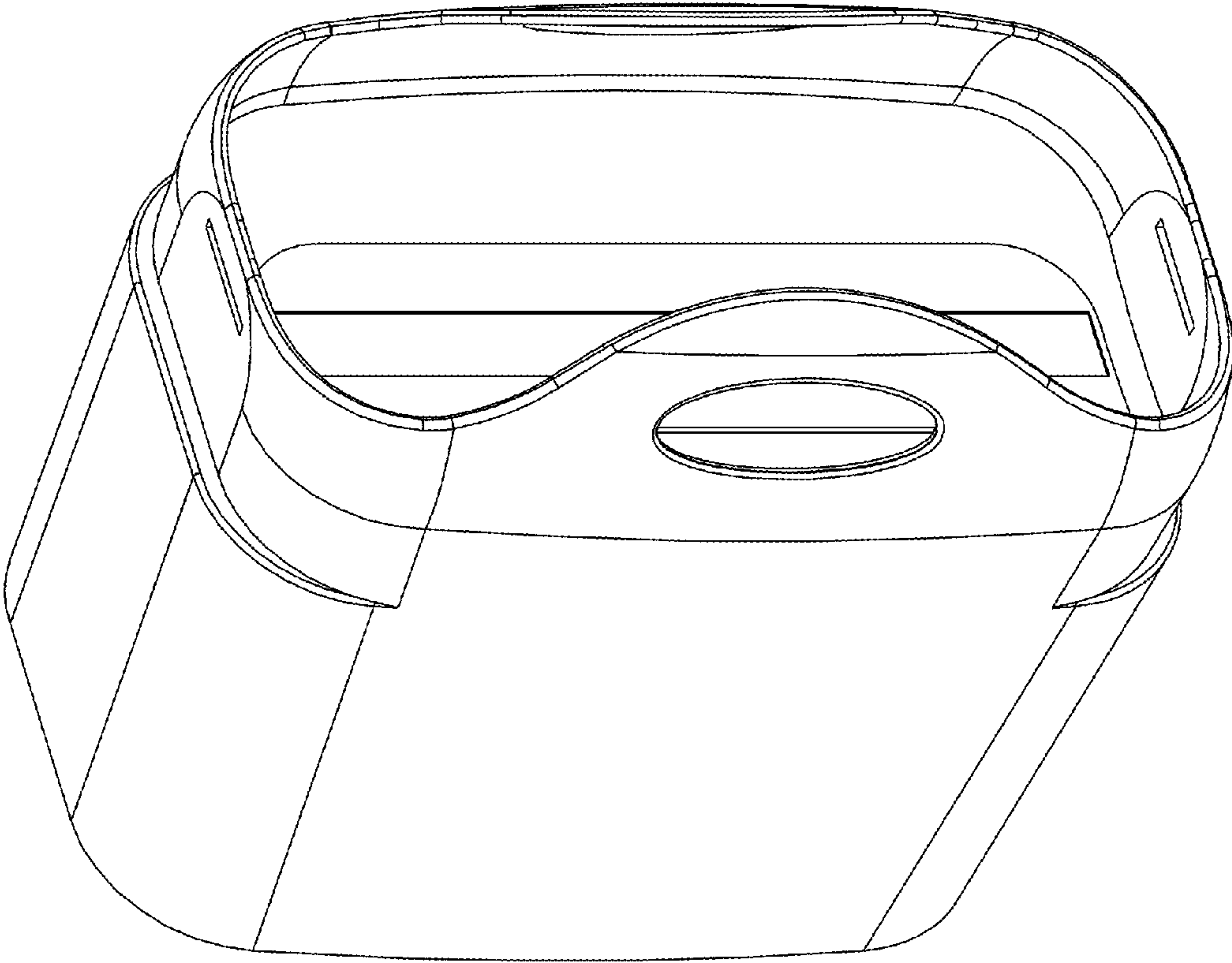


FIG. 1

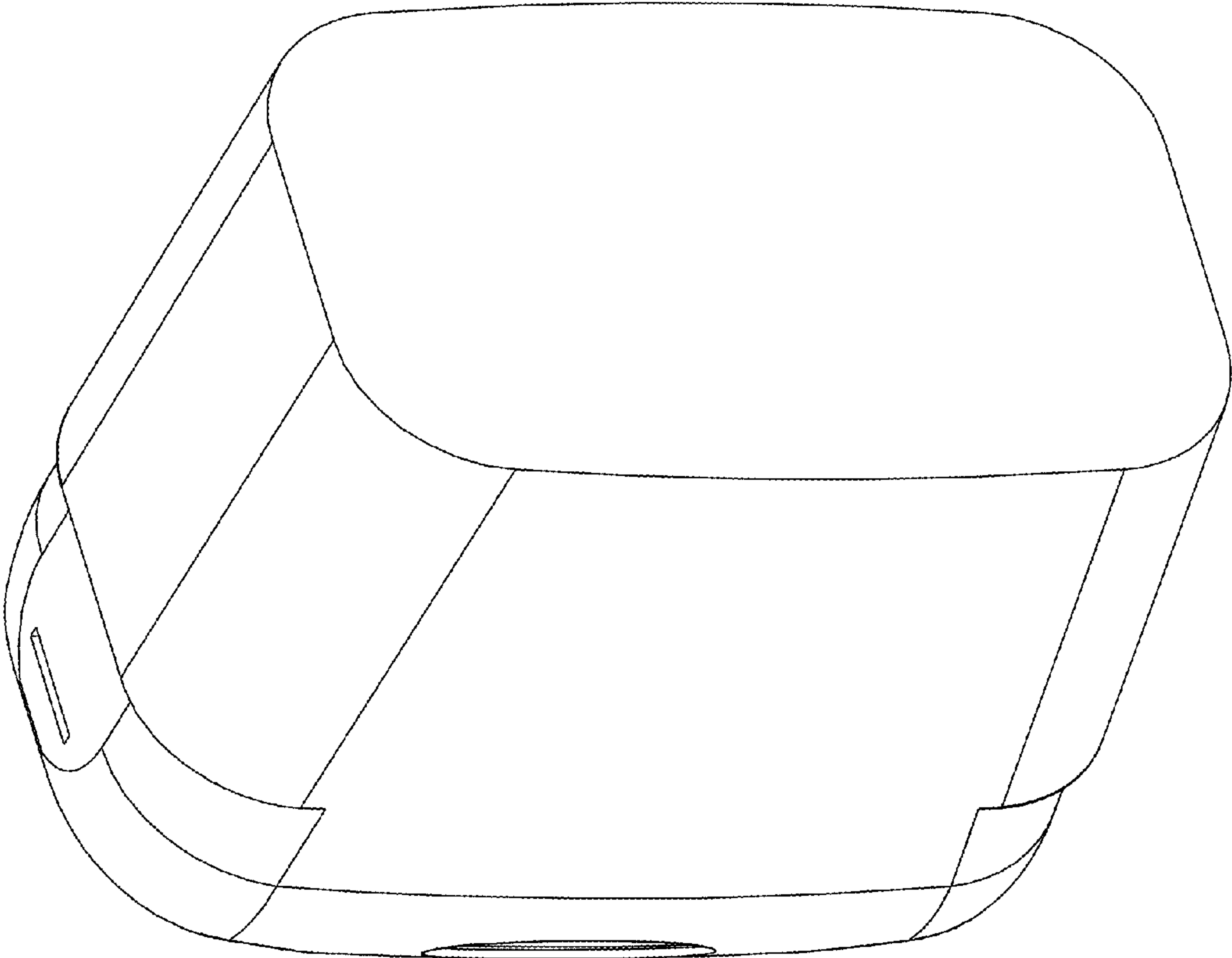


FIG. 2

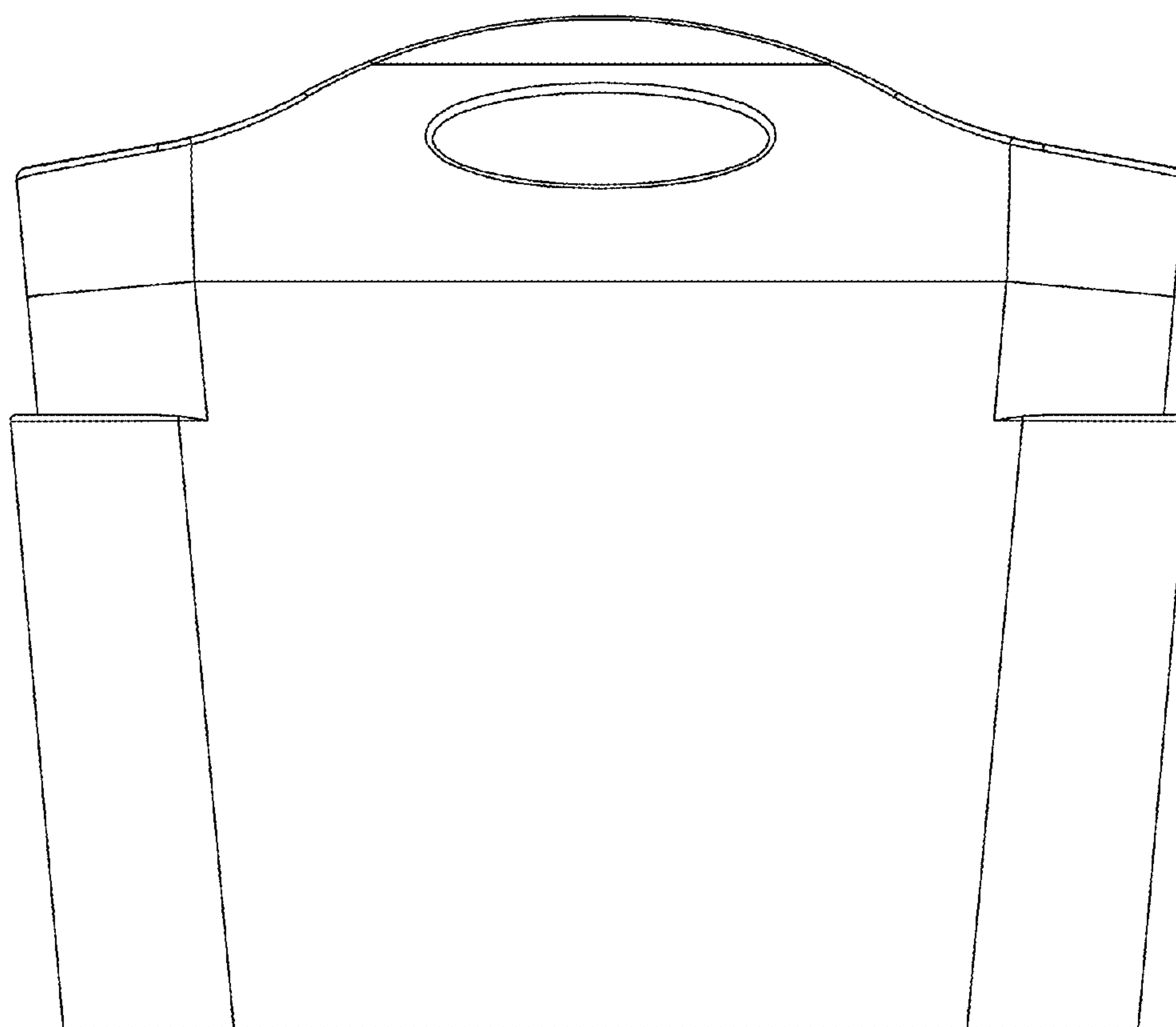


FIG. 3

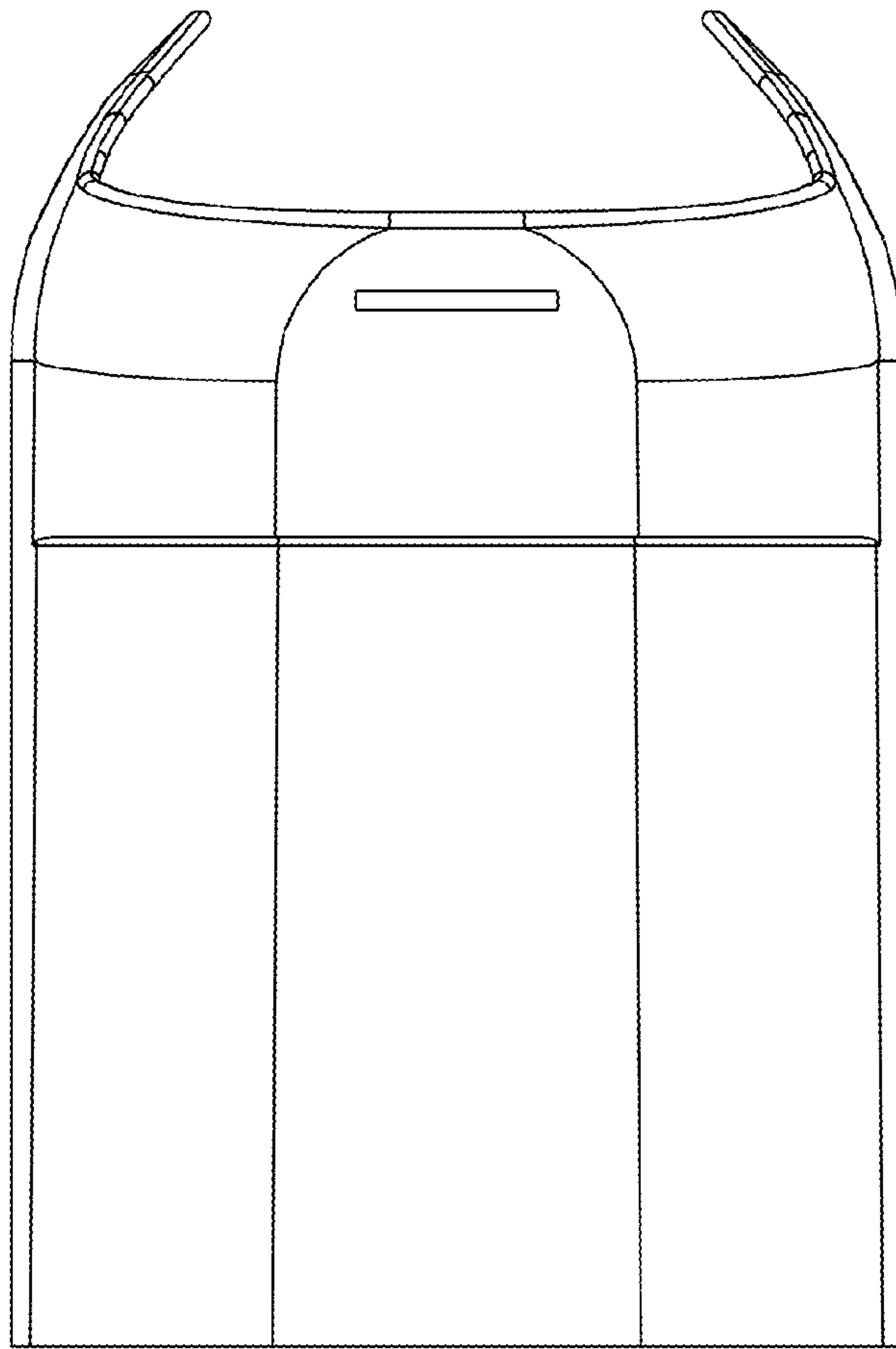


FIG. 4

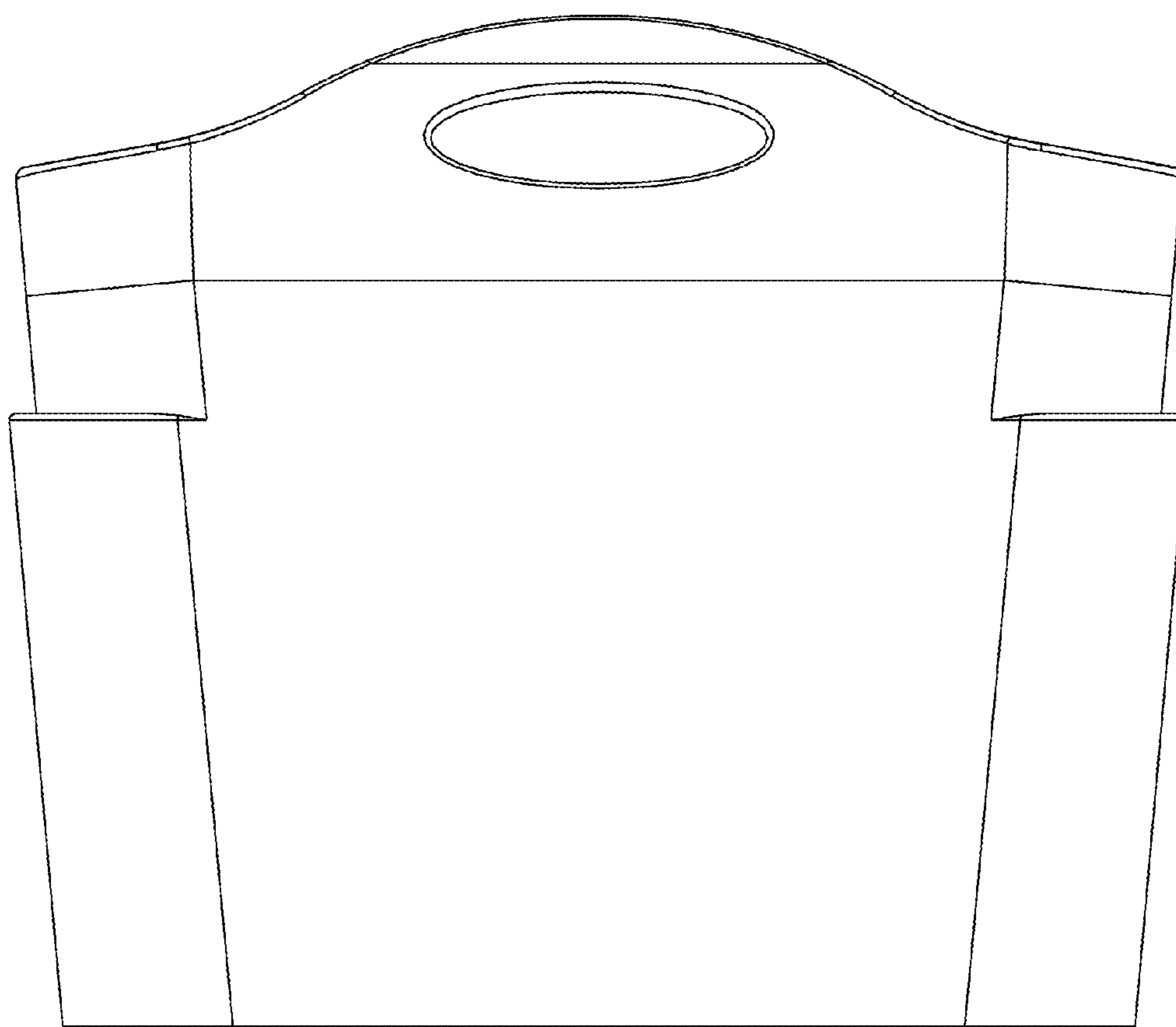


FIG. 5

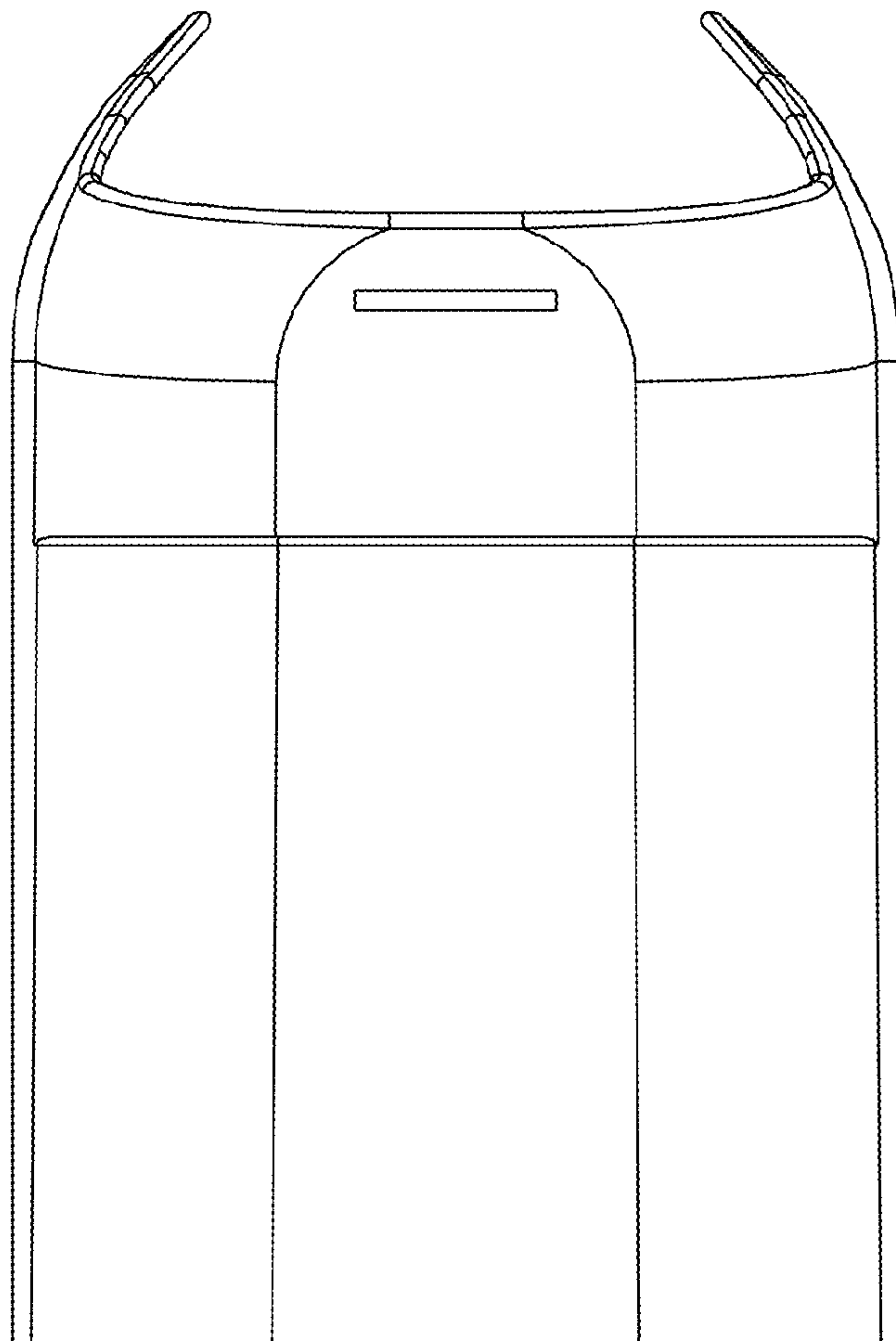


FIG. 6

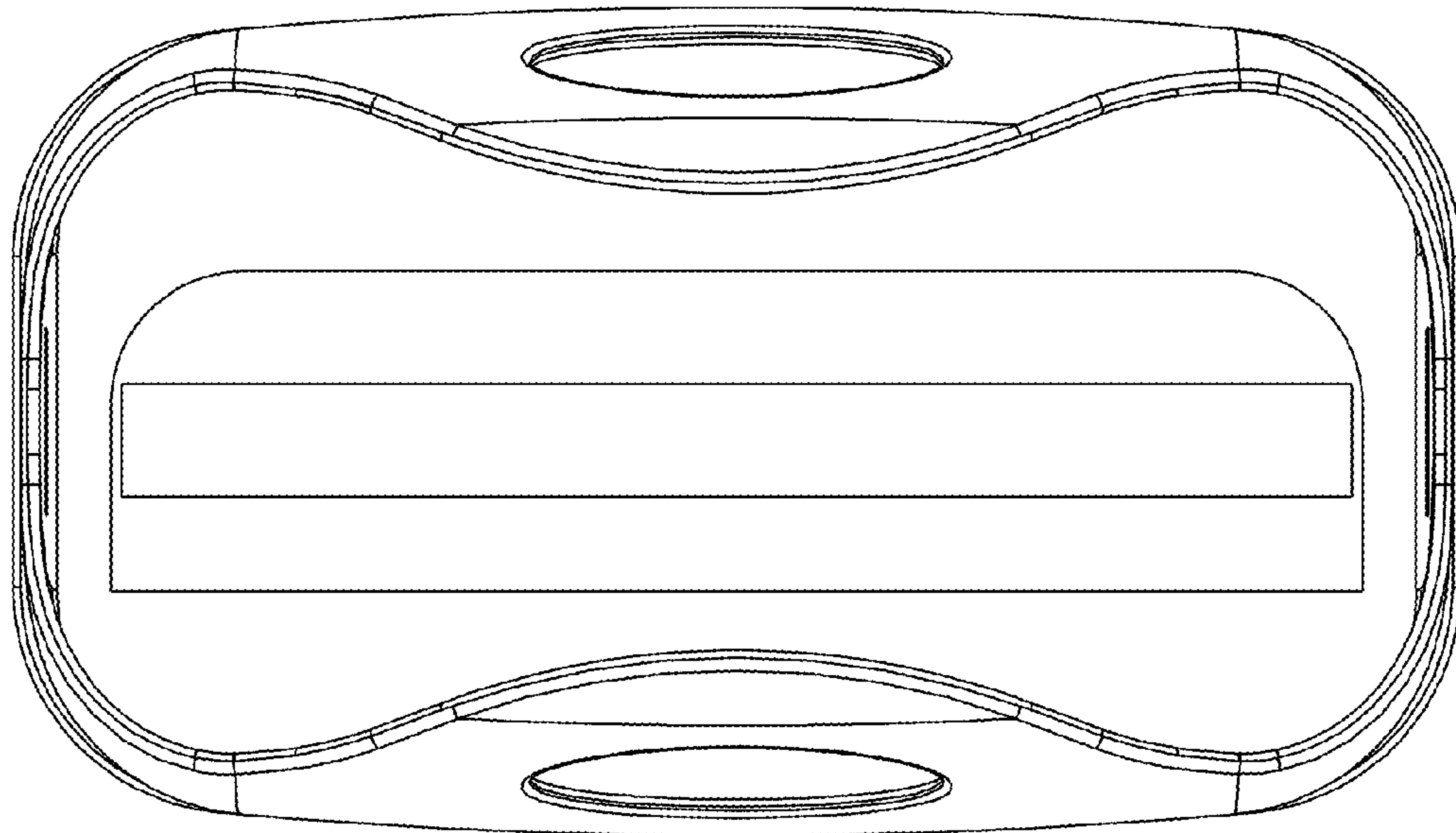


FIG. 7

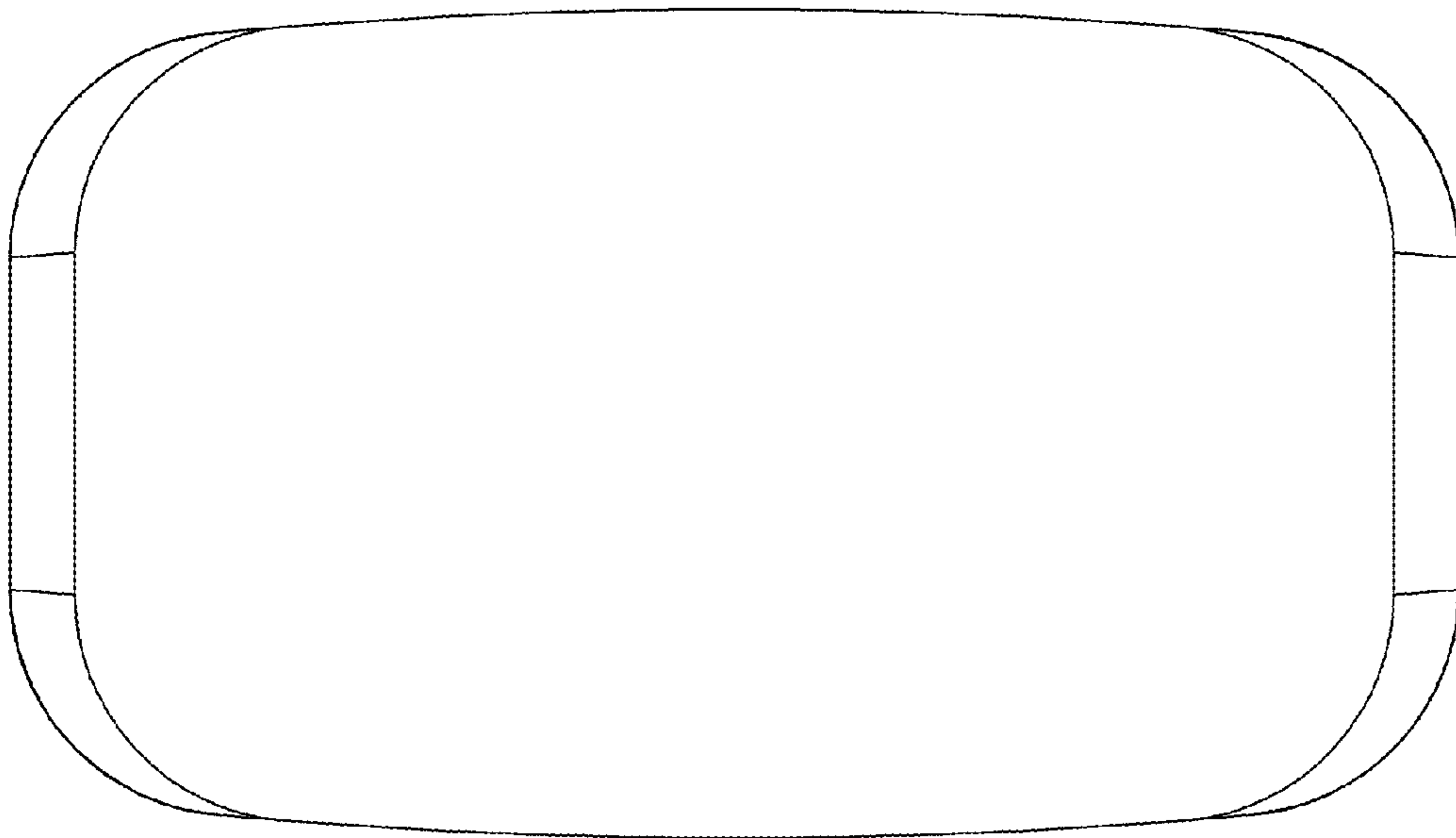


FIG. 8

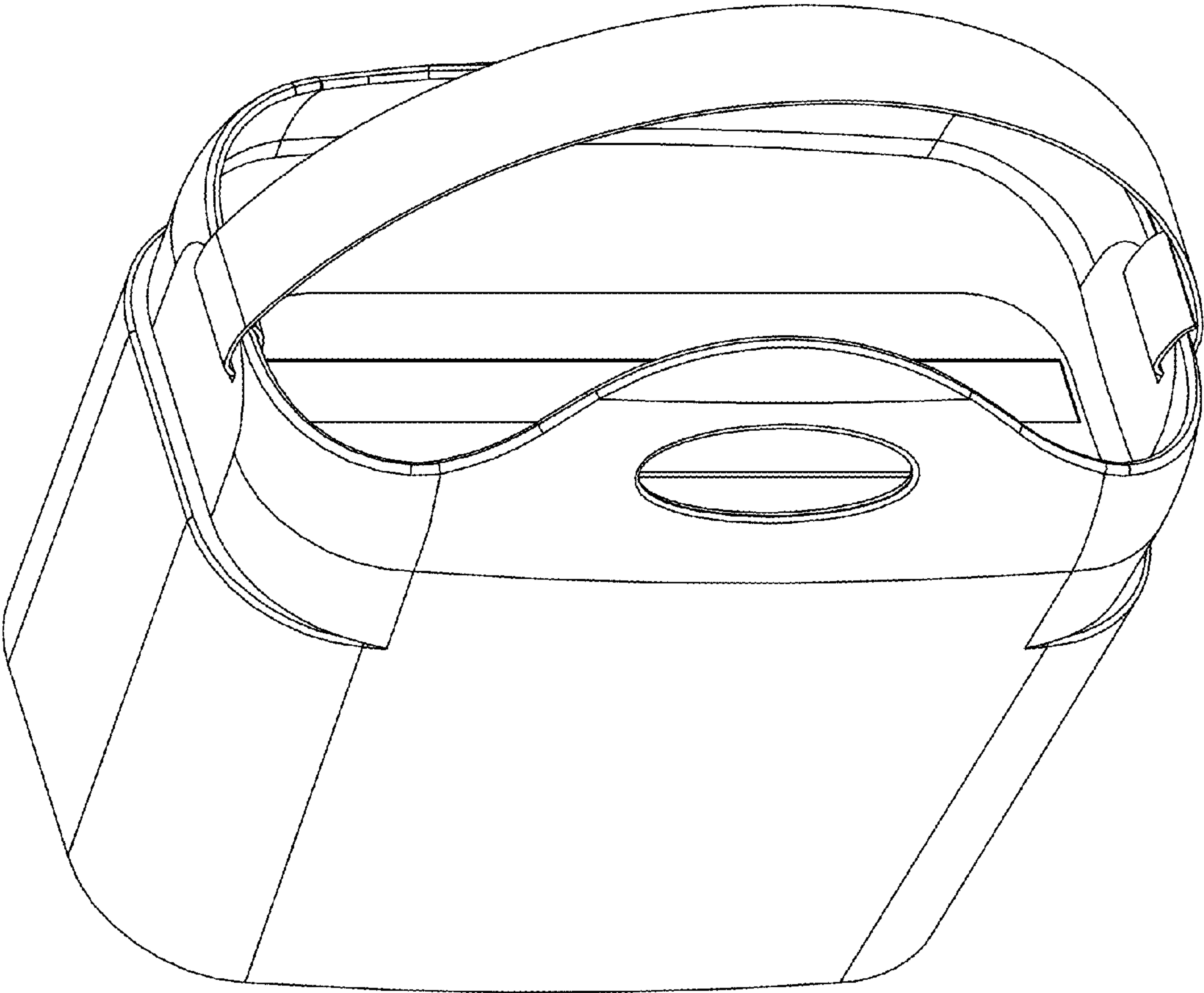


FIG. 9

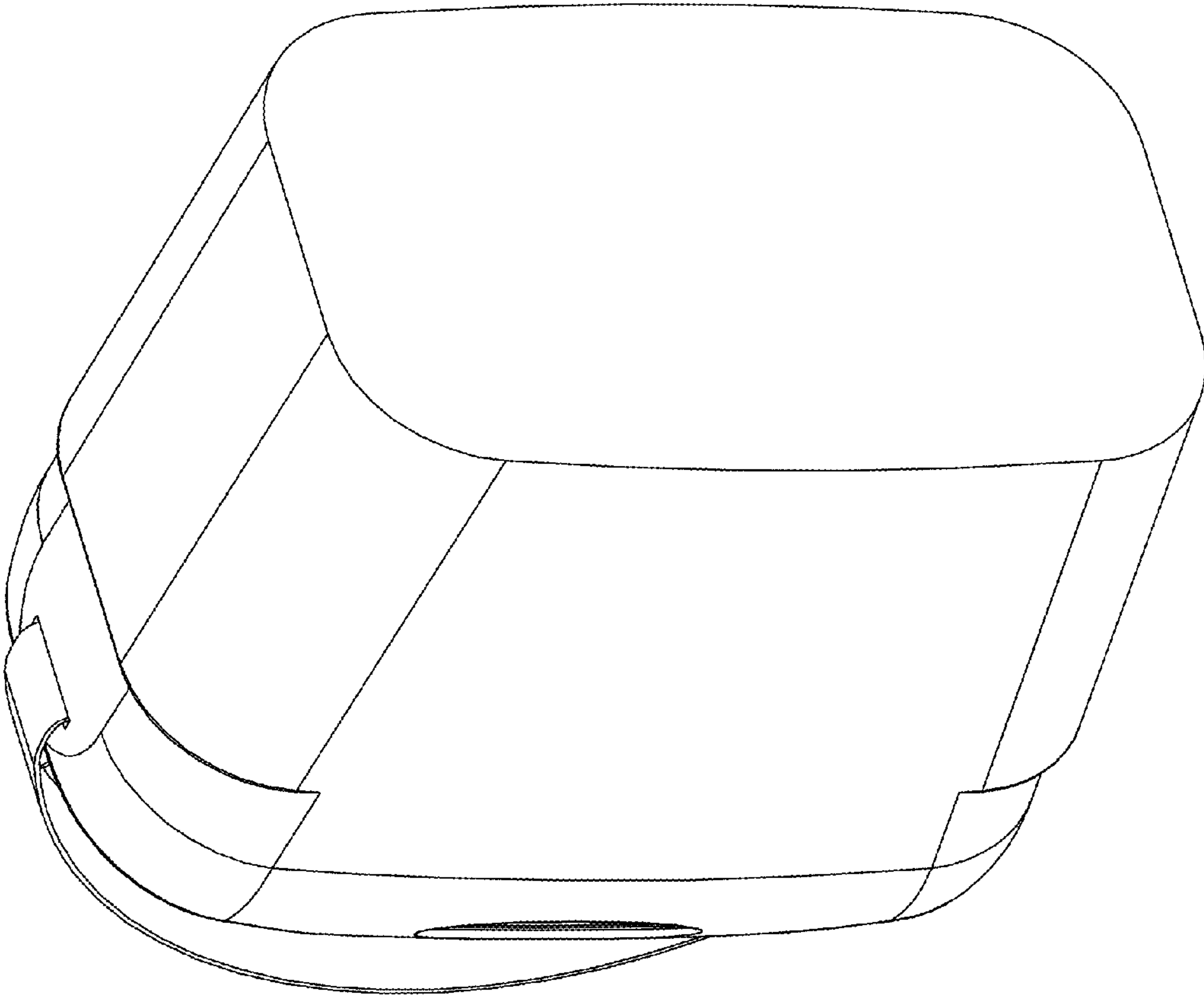


FIG. 10

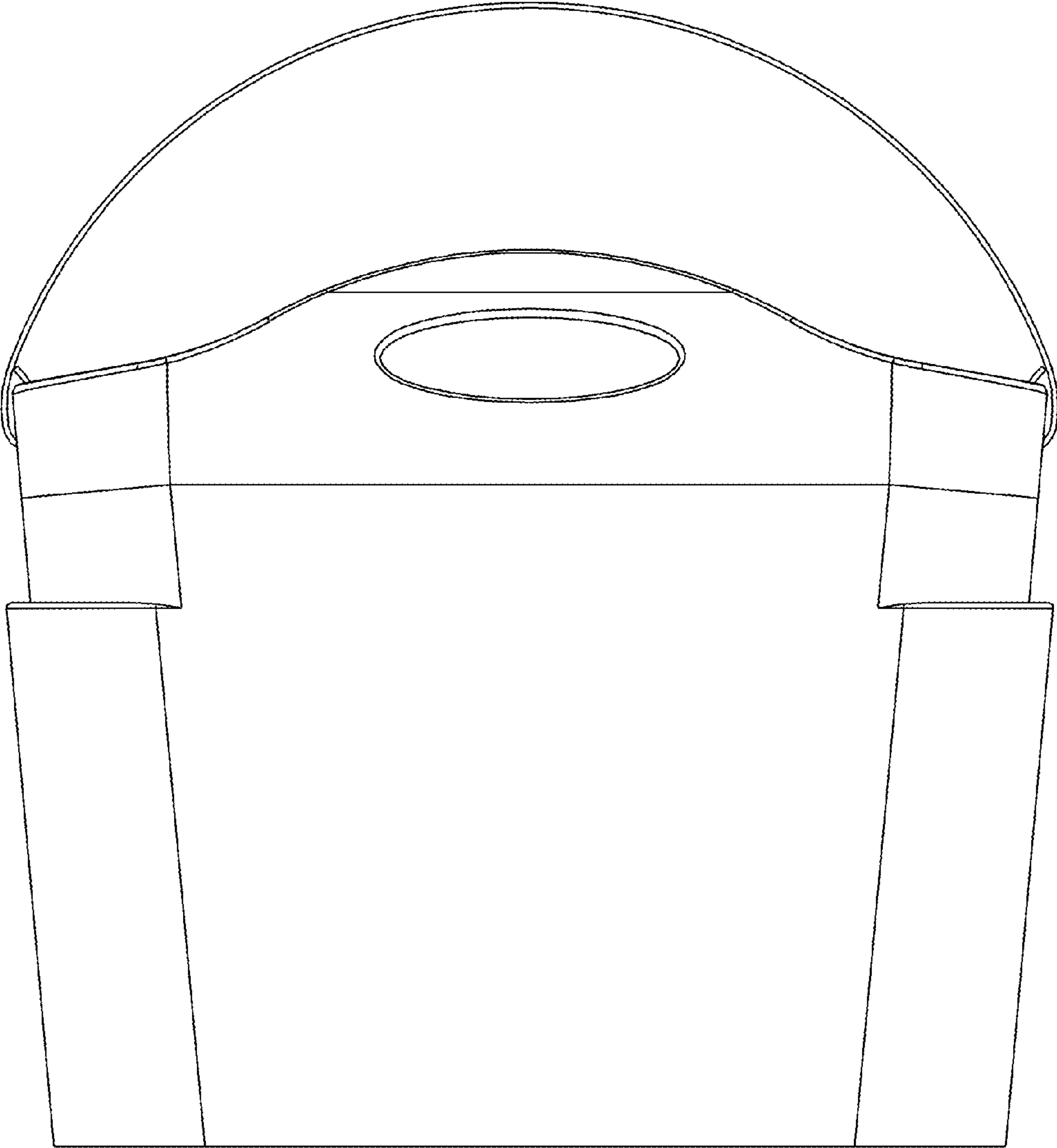


FIG. 11

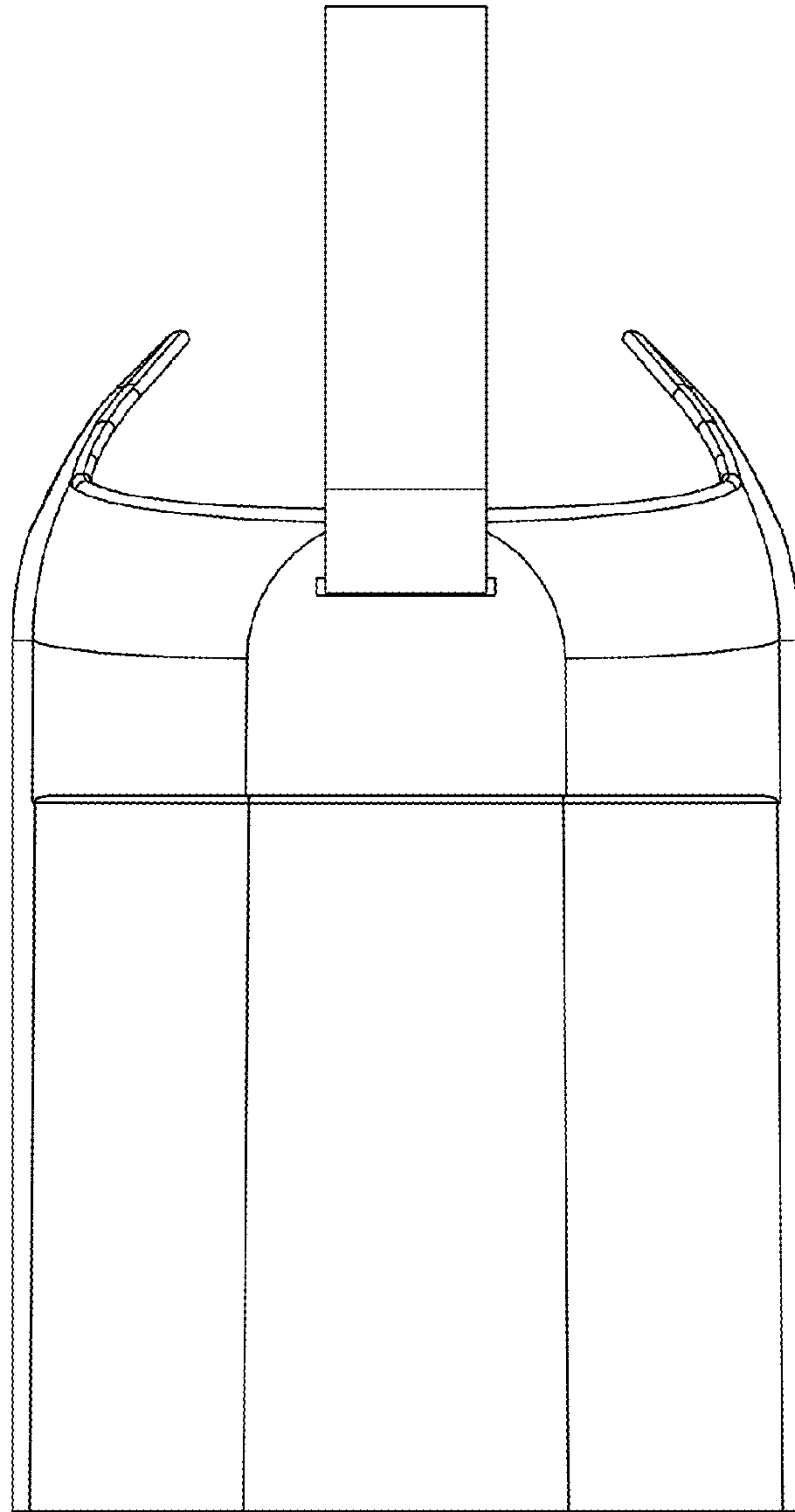


FIG. 12

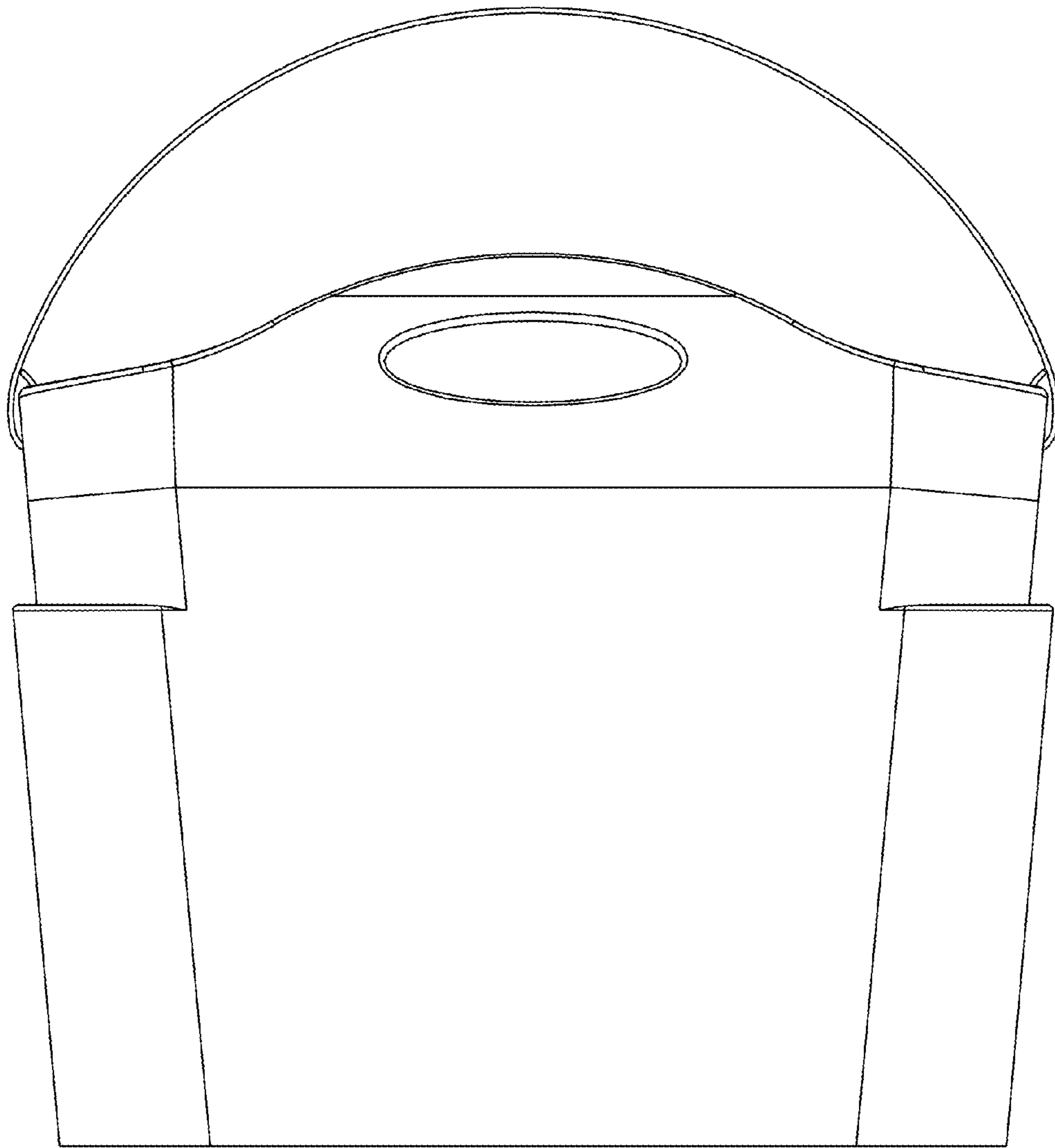


FIG. 13

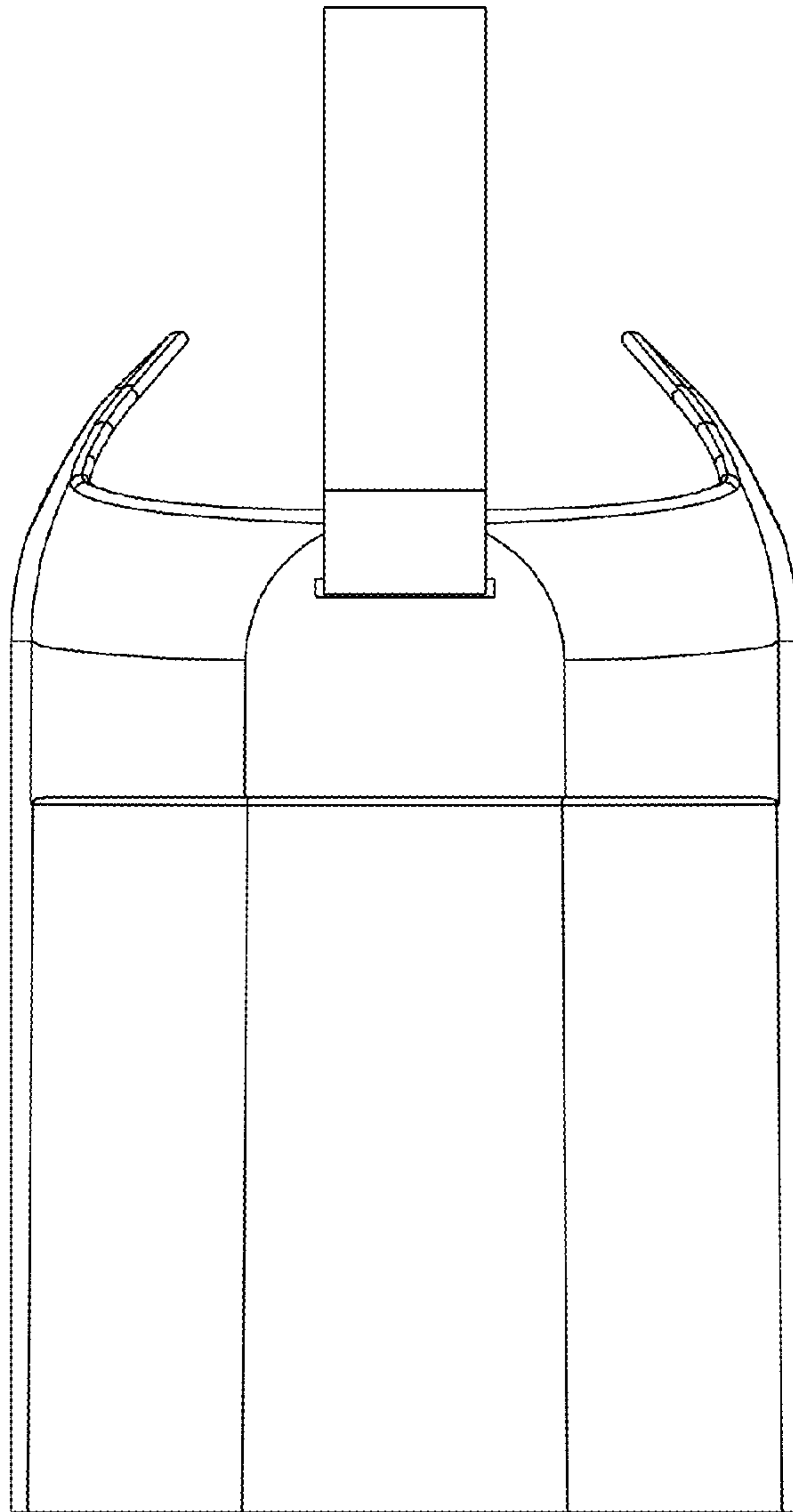


FIG. 14

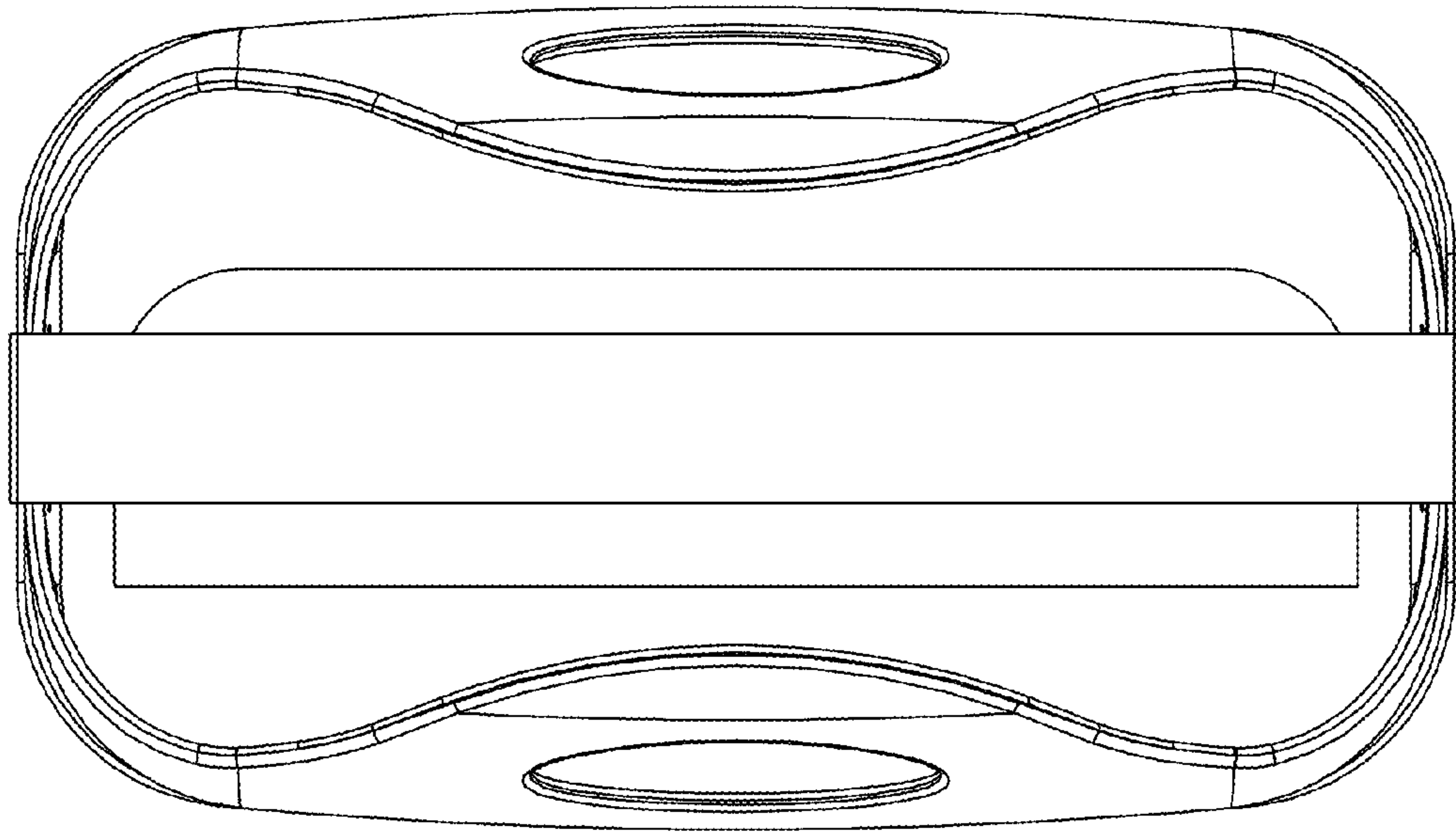


FIG. 15

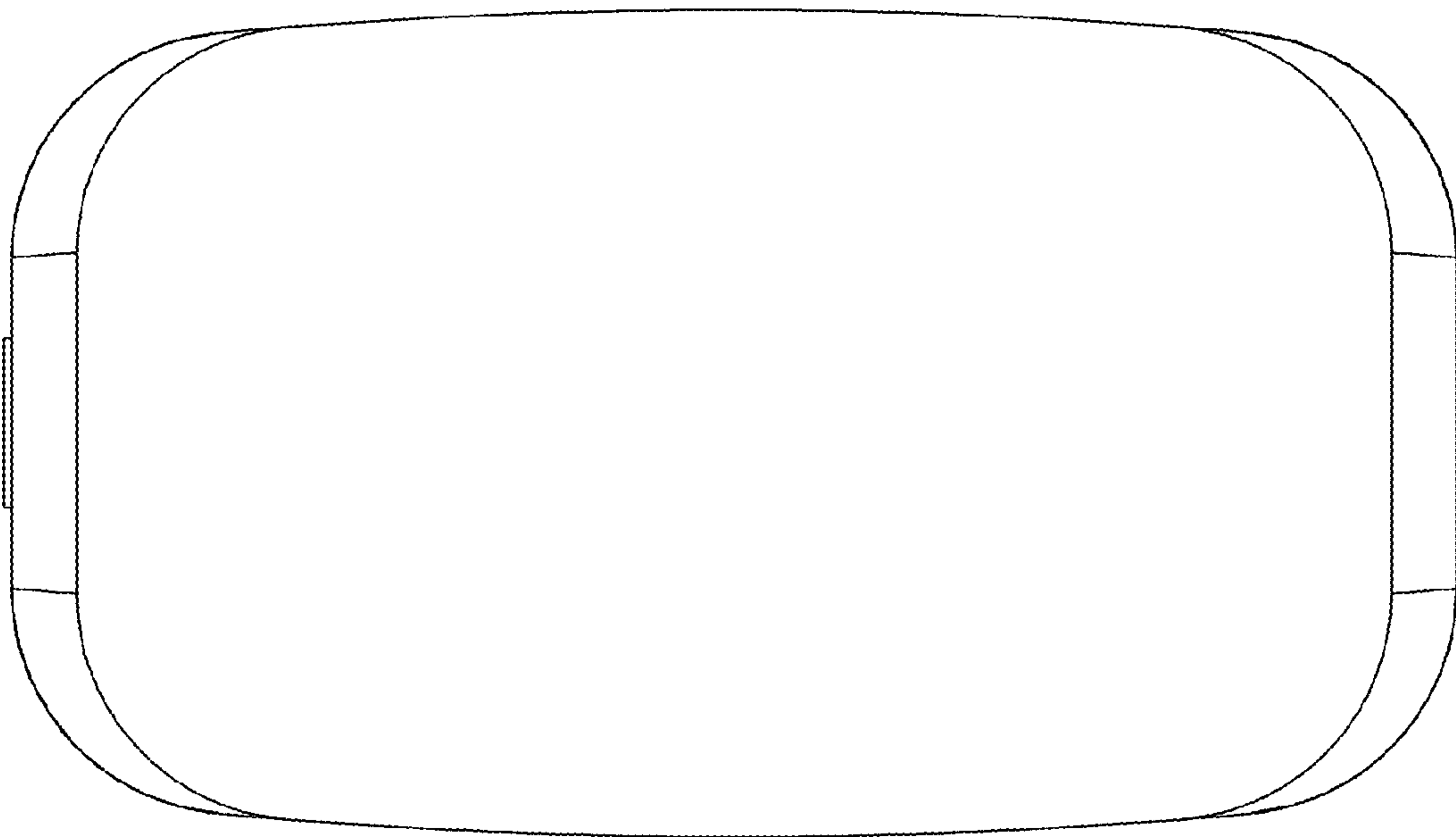


FIG. 16