



US00D713206S

(12) **United States Design Patent**
Lane et al.

(10) **Patent No.:** **US D713,206 S**
(45) **Date of Patent:** **** Sep. 16, 2014**

(54) **BEVERAGE MUG**
(71) Applicant: **Thermos L.L.C.**, Schaumburg, IL (US)
(72) Inventors: **Marvin Lane**, Round Lake Beach, IL (US); **Dwayne Boroski**, Lake in the Hills, IL (US)
(73) Assignee: **Thermos L.L.C.**, Schaumburg, IL (US)

D587,534 S 3/2009 Carreno
D587,967 S * 3/2009 Wahl D7/510
D593,372 S 6/2009 Carreno
D593,811 S 6/2009 Carreno
D622,554 S 8/2010 Carreno
D629,657 S 12/2010 Carreno
D643,245 S * 8/2011 Minarsch D7/392.1
D643,694 S 8/2011 Lu
2005/0204925 A1* 9/2005 Orrico et al. 99/275

(**) Term: **14 Years**
(21) Appl. No.: **29/458,021**

FOREIGN PATENT DOCUMENTS

EM 002367011-0001 * 12/2013

* cited by examiner

(22) Filed: **Jun. 14, 2013**
(51) **LOC (10) Cl.** **07-01**
(52) **U.S. Cl.**
USPC **D7/533**
(58) **Field of Classification Search**
USPC D7/300-305, 317, 318, 396.2, 500, 505,
D7/506, 507, 509, 510, 511, 514, 532, 533,
D7/536, 538, 543-548, 598, 622; D9/500,
D9/551, 671; 99/317; 206/217, 541;
215/363, 387, 388, 398; 219/689;
220/4.01, 592.16, 592.17, 703, 705,
220/735, 710, 710.5, 711, 715; 222/129
See application file for complete search history.

Primary Examiner — Susan Bennett Hattan

Assistant Examiner — Leanne Was

(74) *Attorney, Agent, or Firm* — Polsinelli PC

(56) **References Cited**

(57) **CLAIM**

The ornamental design for a beverage mug, as shown and described.

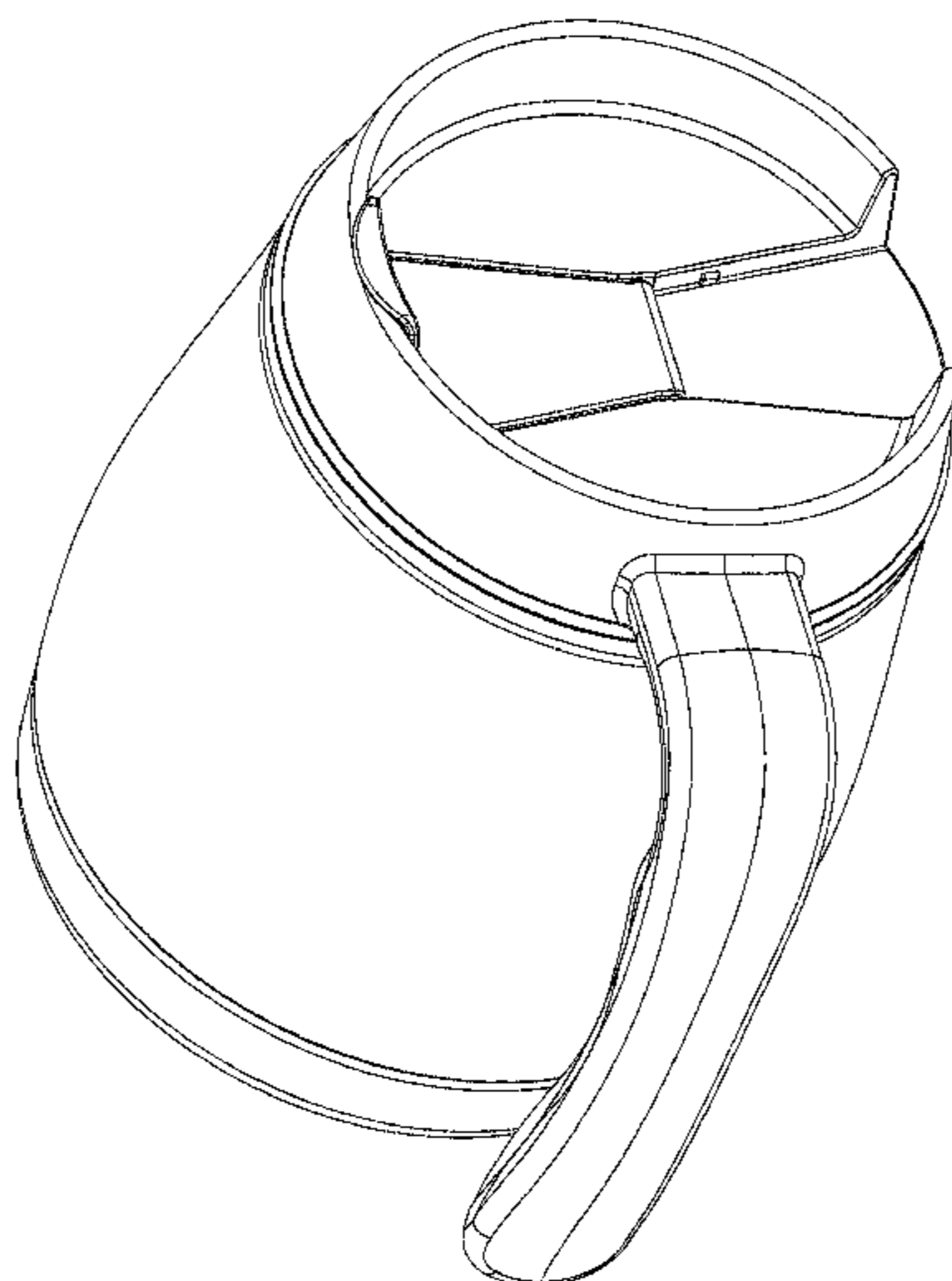
U.S. PATENT DOCUMENTS

DESCRIPTION

4,399,926 A 8/1983 Eidels-Dubovoy
D394,187 S * 5/1998 Orrico et al. D7/533
D405,654 S 2/1999 Moran
D456,212 S * 4/2002 Bridges D7/510
D490,639 S * 6/2004 Kling D7/318
D507,151 S * 7/2005 Schuler et al. D7/509
D549,522 S * 8/2007 Tien D7/510
D550,035 S * 9/2007 Tien D7/510
D557,994 S 12/2007 Wahl
D571,613 S * 6/2008 Gilbert et al. D7/533
D578,351 S * 10/2008 Pearson D7/536

FIG. 1 is a top perspective view of a beverage mug showing our new design;
FIG. 2 is a bottom perspective view of the beverage mug shown in FIG. 1;
FIG. 3 is a top plan view of the beverage mug shown in FIG. 1;
FIG. 4 is a right side elevational view of the beverage mug shown in FIG. 1;
FIG. 5 is a rear elevational view of the beverage mug shown in FIG. 1;
FIG. 6 is a left side elevational view of the beverage mug shown in FIG. 1;
FIG. 7 is a front elevational view of the beverage mug shown in FIG. 1; and,
FIG. 8 is a bottom plan view of the beverage mug shown in FIG. 1.

1 Claim, 8 Drawing Sheets



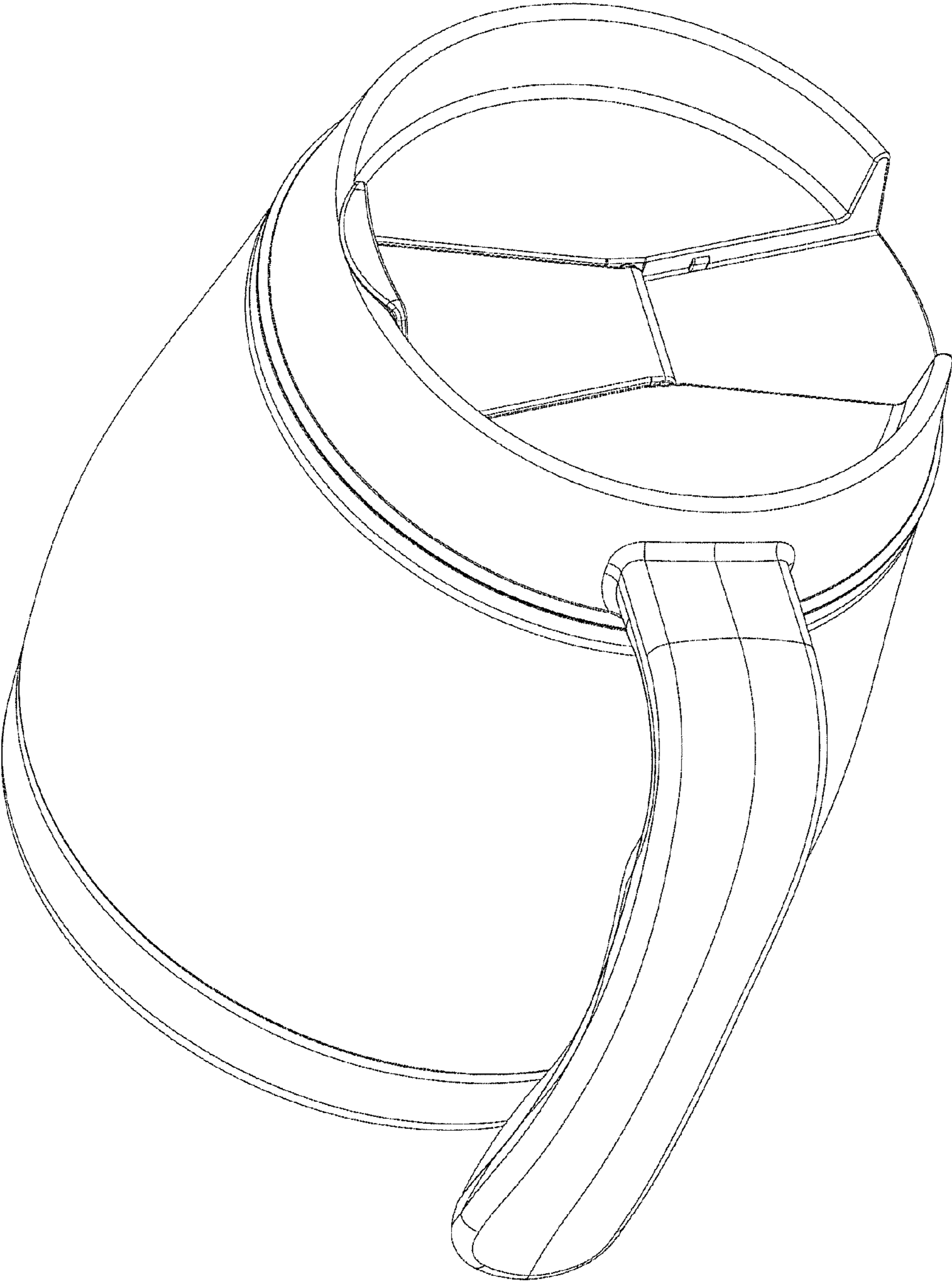


Figure 1

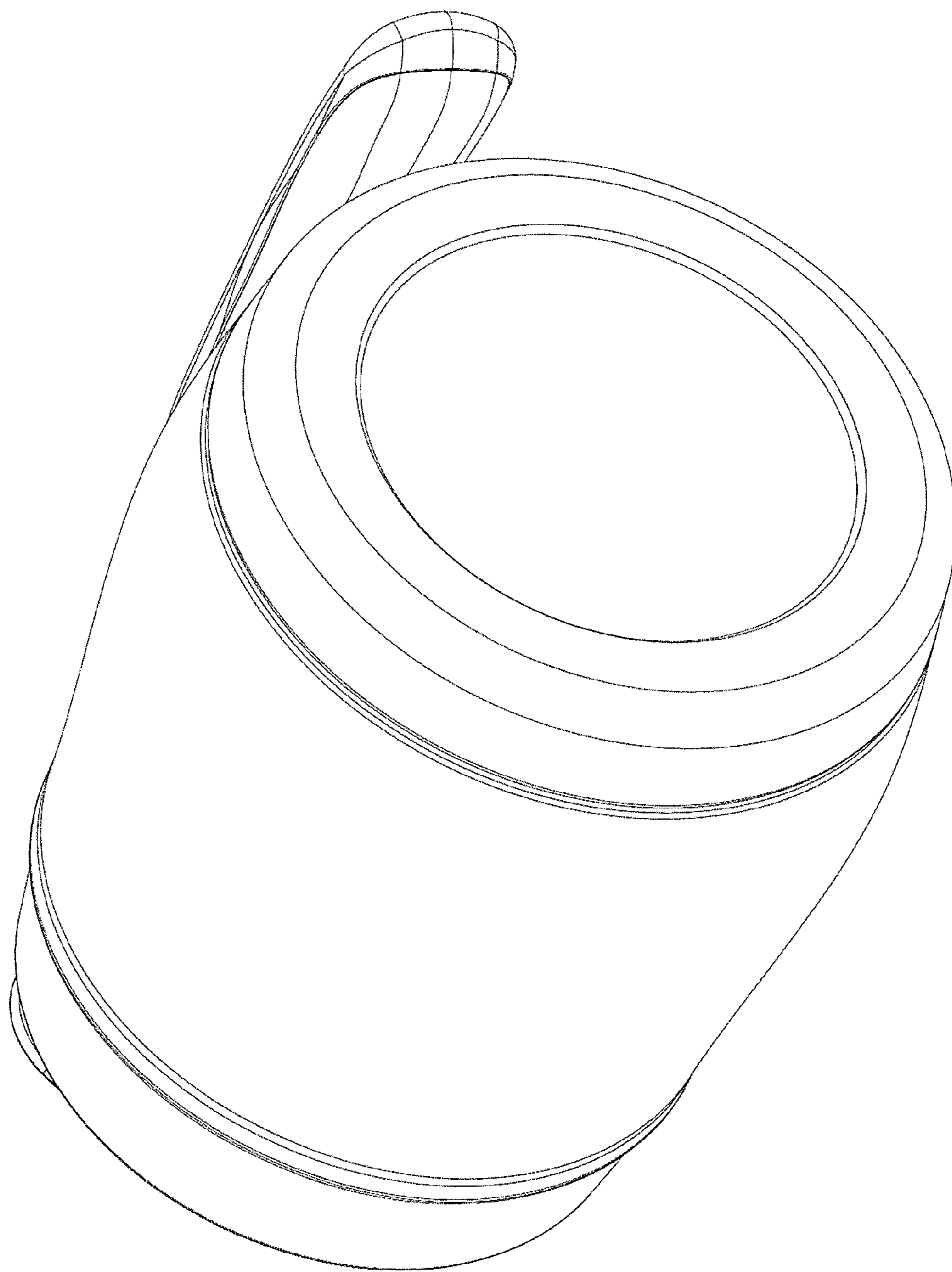


Figure 2

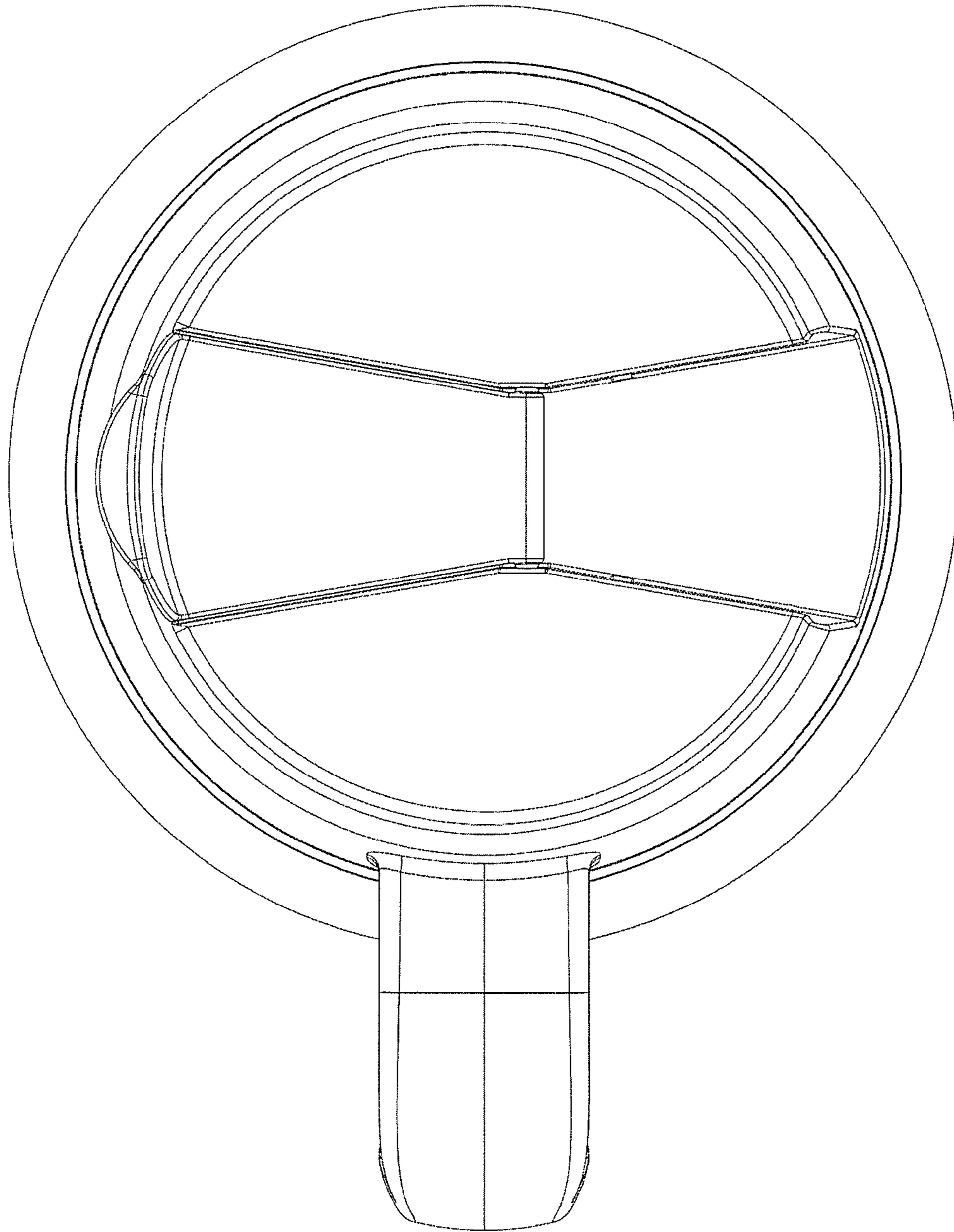


Figure 3

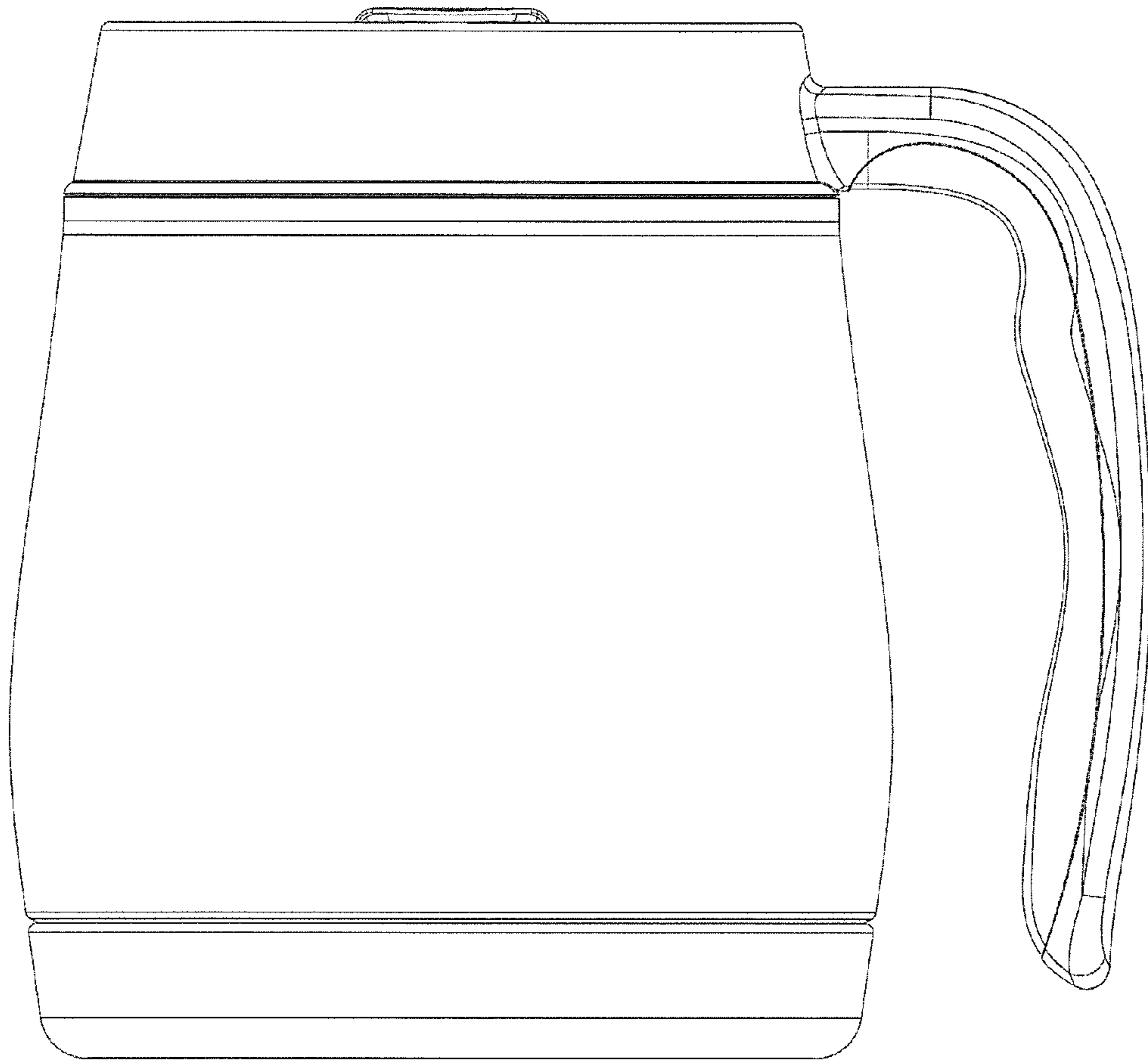


Figure 4

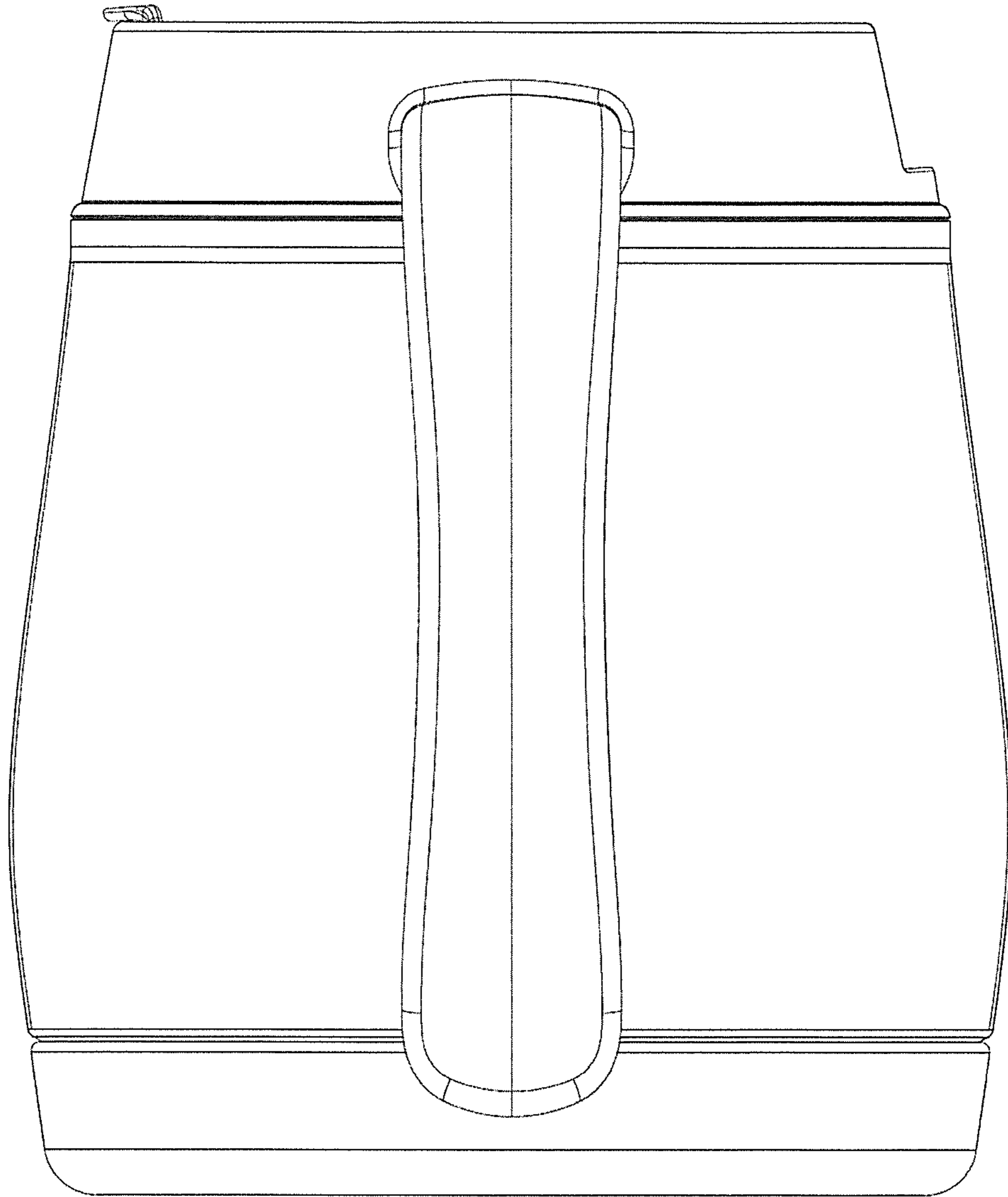


Figure 5

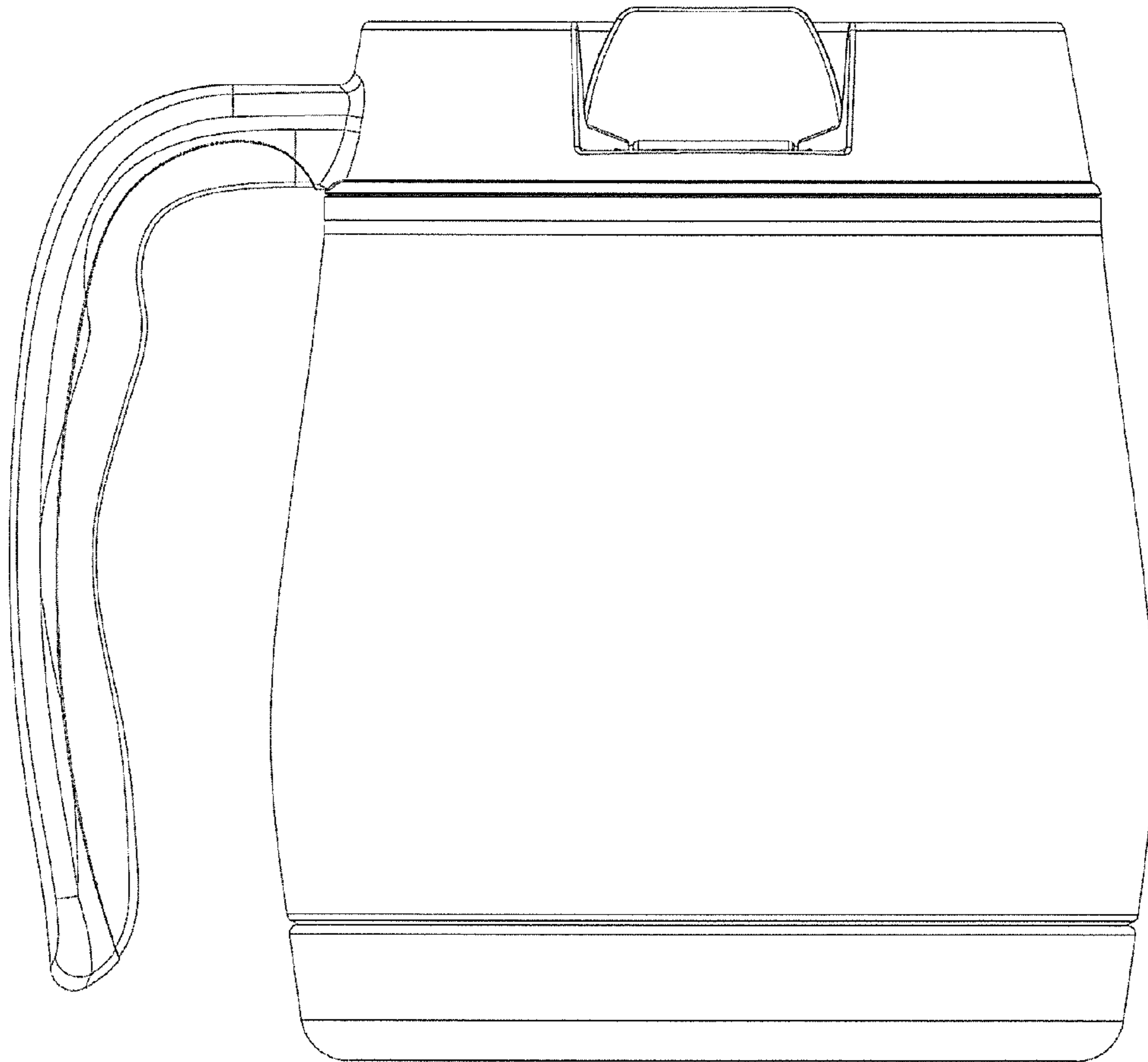


Figure 6

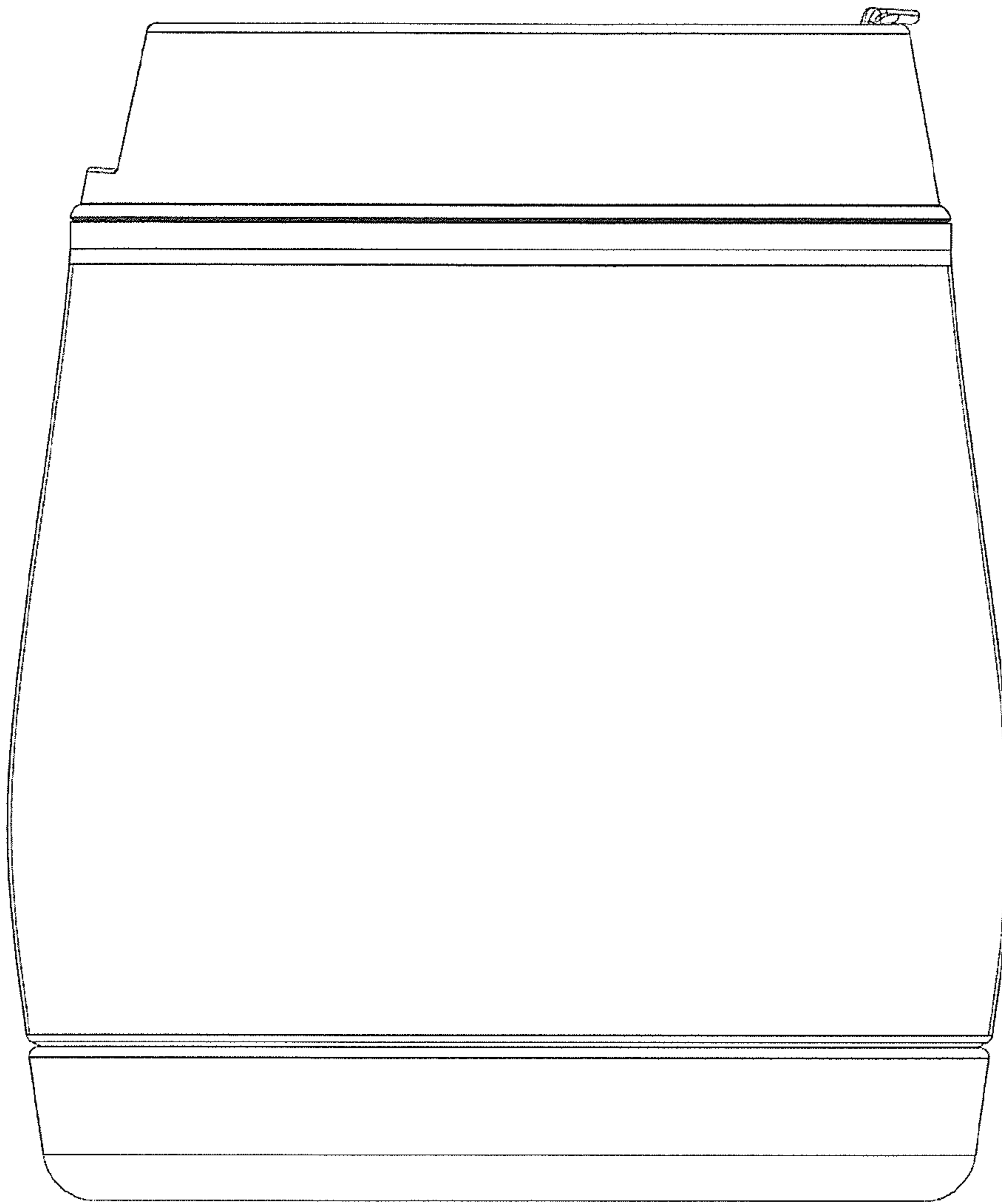


Figure 7

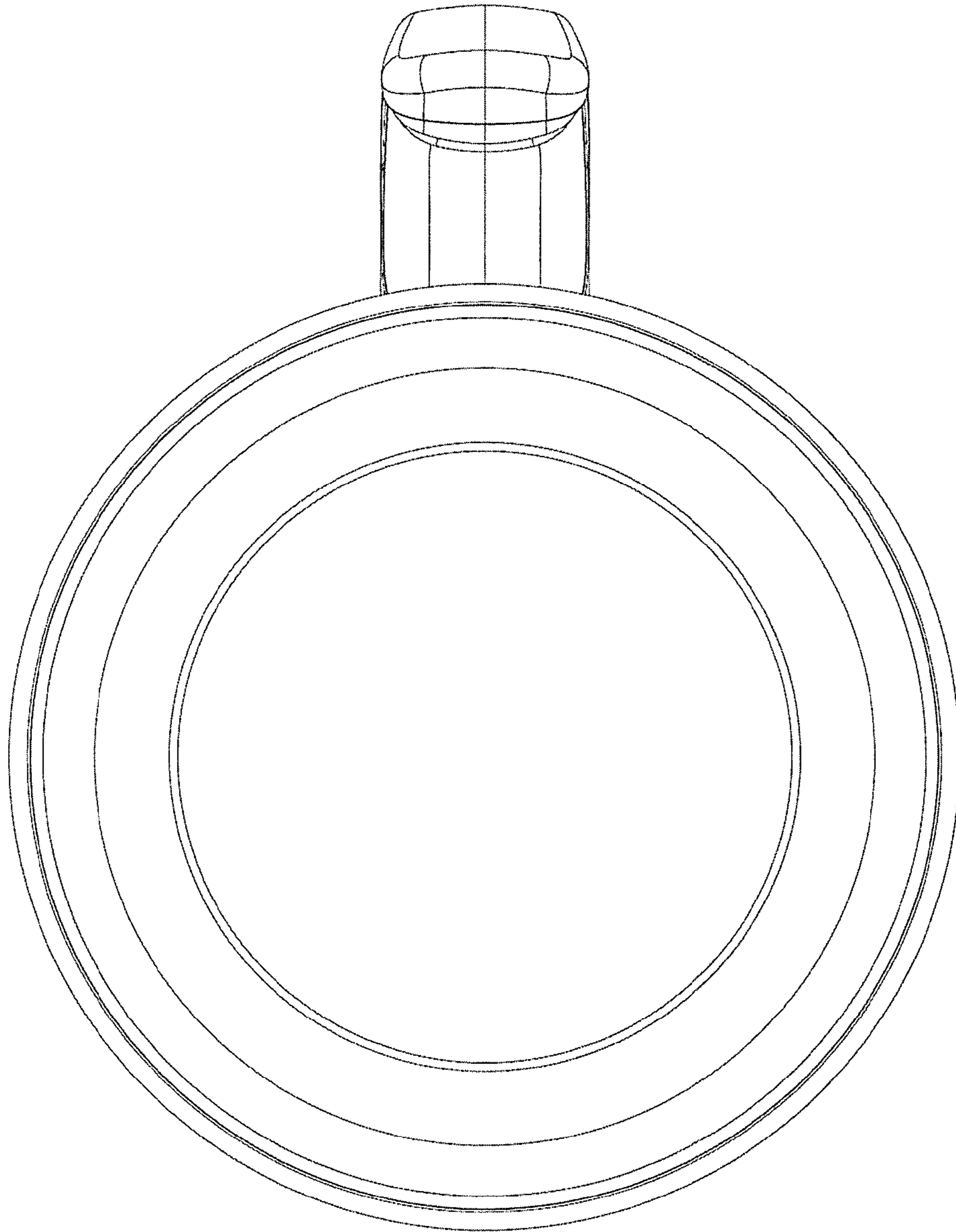


Figure 8