



US00D713205S

(12) **United States Design Patent**
Katterheinrich et al.

(10) **Patent No.:** **US D713,205 S**

(45) **Date of Patent:** **** Sep. 16, 2014**

(54) **STEMMED DRINKWARE**

(71) Applicant: **Target Brands, Inc.**, Minneapolis, MN (US)

(72) Inventors: **Kent D. Katterheinrich**, Shoreview, MN (US); **William Peterson**, Minneapolis, MN (US)

(73) Assignee: **Target Brands, Inc.**, Minneapolis, MN (US)

(**) Term: **14 Years**

(21) Appl. No.: **29/455,828**

(22) Filed: **May 24, 2013**

(51) **LOC (10) Cl.** **07-01**

(52) **U.S. Cl.**

USPC **D7/524; D7/523**

(58) **Field of Classification Search**

USPC D7/510, 511, 512, 523, 507, 531, 524, D7/537, 528, 52, 533, 536, 509, 515, 514, D7/513; 220/8, 92, 714, 666, 23.83, 719, 220/713, 630, 710.5, 212.5, 717; 215/11.5, 215/398, 378, 6; 206/218, 581; D24/197; D9/503, 504

See application file for complete search history.

(56) **References Cited**

U.S. PATENT DOCUMENTS

D43,232 S *	11/1912	Pick	D7/524
D48,515 S *	2/1916	Dougherty	D7/524
D82,194 S *	9/1930	Trumbell	D7/524
D108,788 S	3/1938	Kostellow		
D138,631 S *	8/1944	Frise	D7/524
D156,445 S *	12/1949	Stern	D12/84
D156,921 S *	1/1950	Stern	D7/524
D157,364 S *	2/1950	Freshley	D10/46.2
D209,306 S	11/1967	Schilling		
D209,307 S	11/1967	Schillings		

(Continued)

OTHER PUBLICATIONS

Office Action from Canadian Patent Application No. 152,052, mailed Mar. 20, 2014 (1 page).

(Continued)

Primary Examiner — Marianne Pandozzi

(74) *Attorney, Agent, or Firm* — Griffiths & Seaton PLLC; JoAnn M. Seaton

(57) **CLAIM**

The ornamental design for stemmed drinkware, as shown and described.

DESCRIPTION

FIG. 1 is a front, perspective view of stemmed drinkware showing a first embodiment of our new design;

FIG. 2 is a front view thereof, the rear view being identical to the front view;

FIG. 3 is a right side view thereof, the left side view being identical to the right side view;

FIG. 4 is a top view thereof;

FIG. 5 is a bottom view thereof; and

FIG. 6 is a cross-sectional view thereof taken along the line 6-6 in FIG. 4.

FIG. 7 is a front, perspective view of stemmed drinkware showing a second embodiment of our new design;

FIG. 8 is a front view thereof, the rear view being identical to the front view;

FIG. 9 is a right side view thereof, the left side view being identical to the right side view;

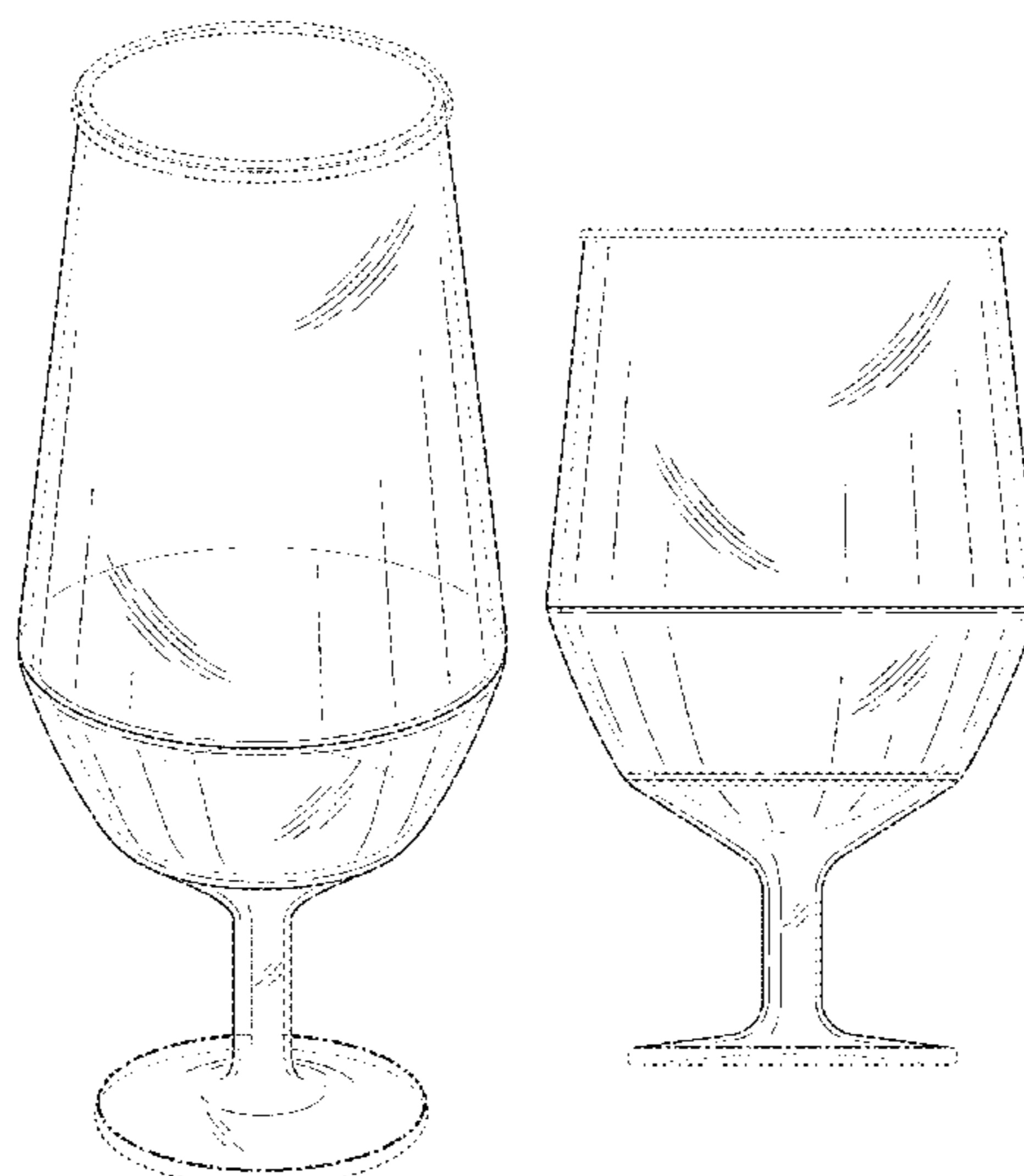
FIG. 10 is a top view thereof;

FIG. 11 is a bottom view thereof; and,

FIG. 12 is a cross-sectional view thereof taken along the line 12-12 in FIG. 10.

The features shown in broken lines are portions of the stemmed drinkware forming no part of the claimed design. The features shown in long dash-short dash bolded broken lines indicate the bounds of the claimed design and otherwise form no part of the claimed design.

1 Claim, 10 Drawing Sheets



(56)

References Cited

U.S. PATENT DOCUMENTS

D217,781 S	6/1970	Stone	
D248,715 S	8/1978	Gobleck, Jr.	
D282,997 S *	3/1986	Miller	D7/523
D295,131 S	4/1988	Durand	
D296,506 S	7/1988	Obendorfer et al.	
D296,743 S	7/1988	Durand	
D506,640 S	6/2005	Marck et al.	
D514,886 S	2/2006	Kingsley	
D533,748 S	12/2006	Bresler	
D537,677 S	3/2007	Bresler	
D612,688 S	3/2010	Bardolet	
D617,148 S *	6/2010	Musso et al.	D7/524
D623,899 S	9/2010	Baratte	
D672,481 S	12/2012	Arslanian	
D699,078 S	2/2014	Katterheinrich et al.	
D701,731 S *	4/2014	McClellan	D7/524

OTHER PUBLICATIONS

“Timo Glass 4-Pack by Design House Stockholm”, printed from www.newlywish.com/merchant/bobby-berk-home/product/36001/

item/36001 on Mar. 25, 2013 (3 pages).
 “Ikea 365+ IVRIG Wine Glass”, printed from www.ikea.com/us/en/catalog/products/90125699/ on Mar. 25, 2013 (3 pages).
 “Luigi Bormioli Atelier All-Purpose Stemless Wine Glasses—Set of 4”, printed from www.jcpennney.com/dotcom/gift-registry/wedding/add-our-gifts/dining-entertaining/glassware-mugs/luigi-bormioli-atelier-all-purpose-stemless-wine-glasses---set-of-4/prod.jump?ppId=1e90c85&searchTerm=Luigi+Bormioli+Atelier+All-Purpose+Stemless+Wine+Glasses+-+Set+of+4&dimCombo=null&dimComboVal=null&catId=SearchResults on Mar. 25, 2013 (2 pages).
 “Schott Zwiesel Basic Bar Cocktail Glass (After Drink Glass)”, printed from www.didriks.com/Basic-Bar-Cocktail-Glass-After-Drink-Glass.html on Mar. 25, 2013 (1 page).
 “Schott Zwiesel Forte Universal Tumbler”, printed from www.didriks.com/schott-zwiesel-forte-universal-tumbler.html?sc=84&category=266550 on Mar. 25, 2013 (1 page).
 U.S. Appl. No. 29/447,466, filed Mar. 4, 2013 (15 pages).
 U.S. Appl. No. 29/455,820, filed May 24, 2013 (11 pages).
 U.S. Appl. No. 29/455,823, filed May 24, 2013 (18 pages).
 U.S. Appl. No. 29/455,824, filed May 24, 2013 (7 pages).

* cited by examiner

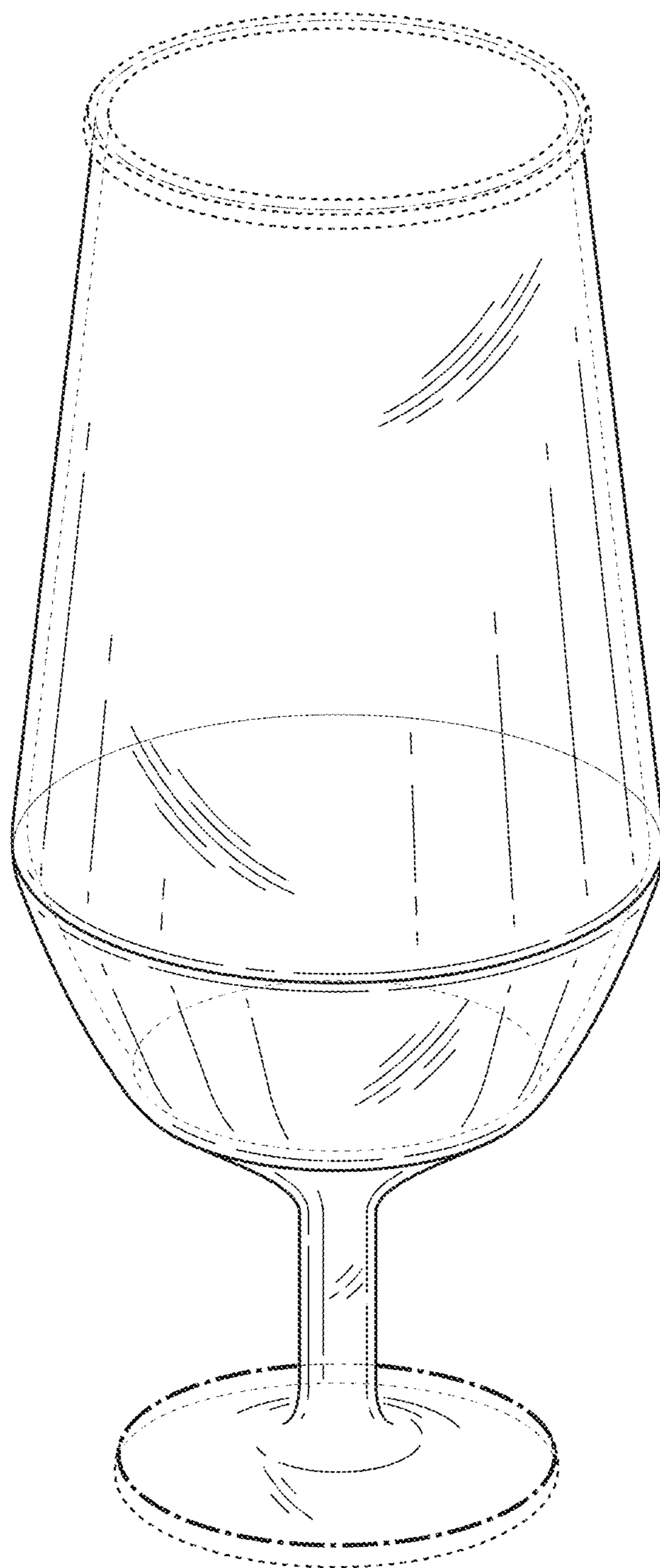


FIG. 1

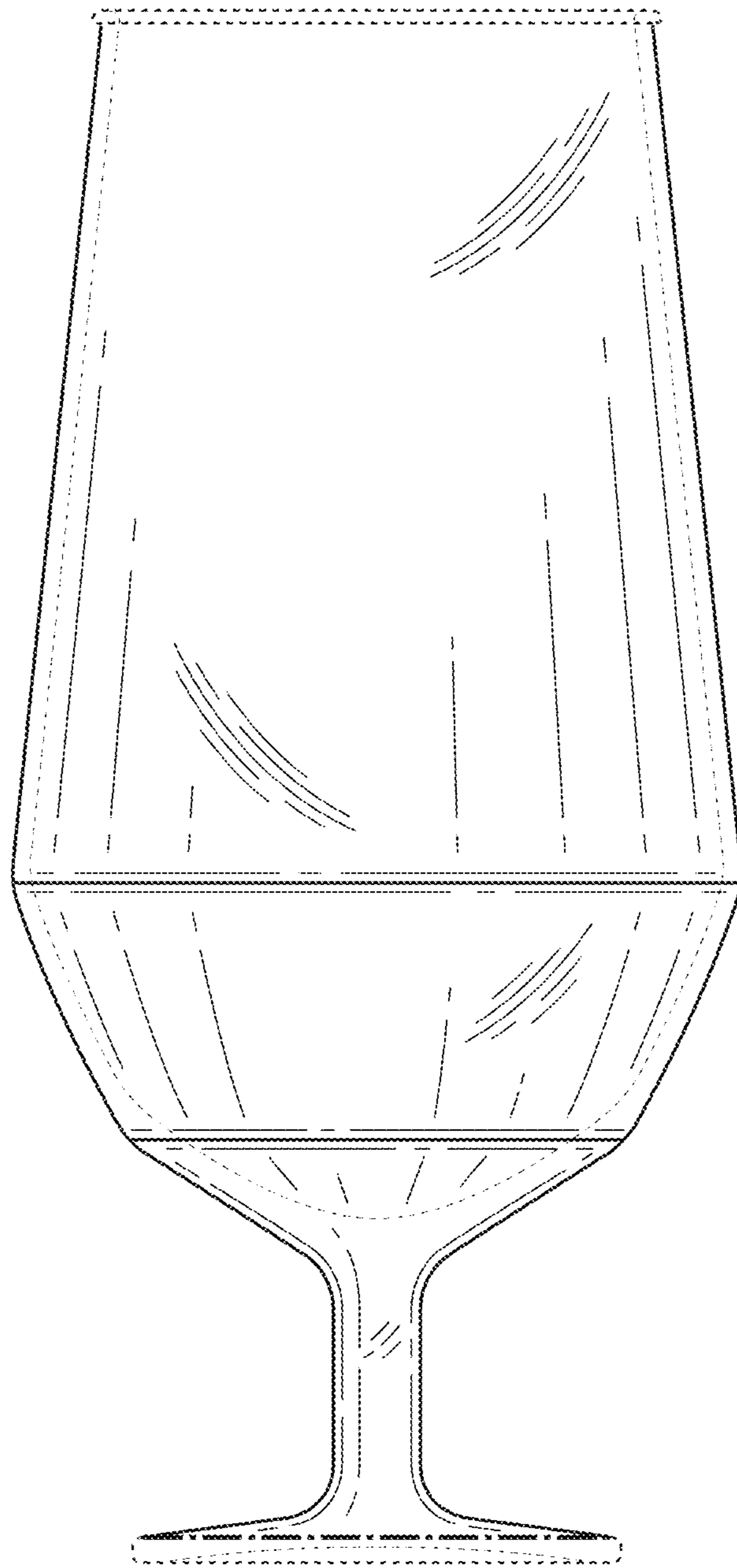


FIG. 2

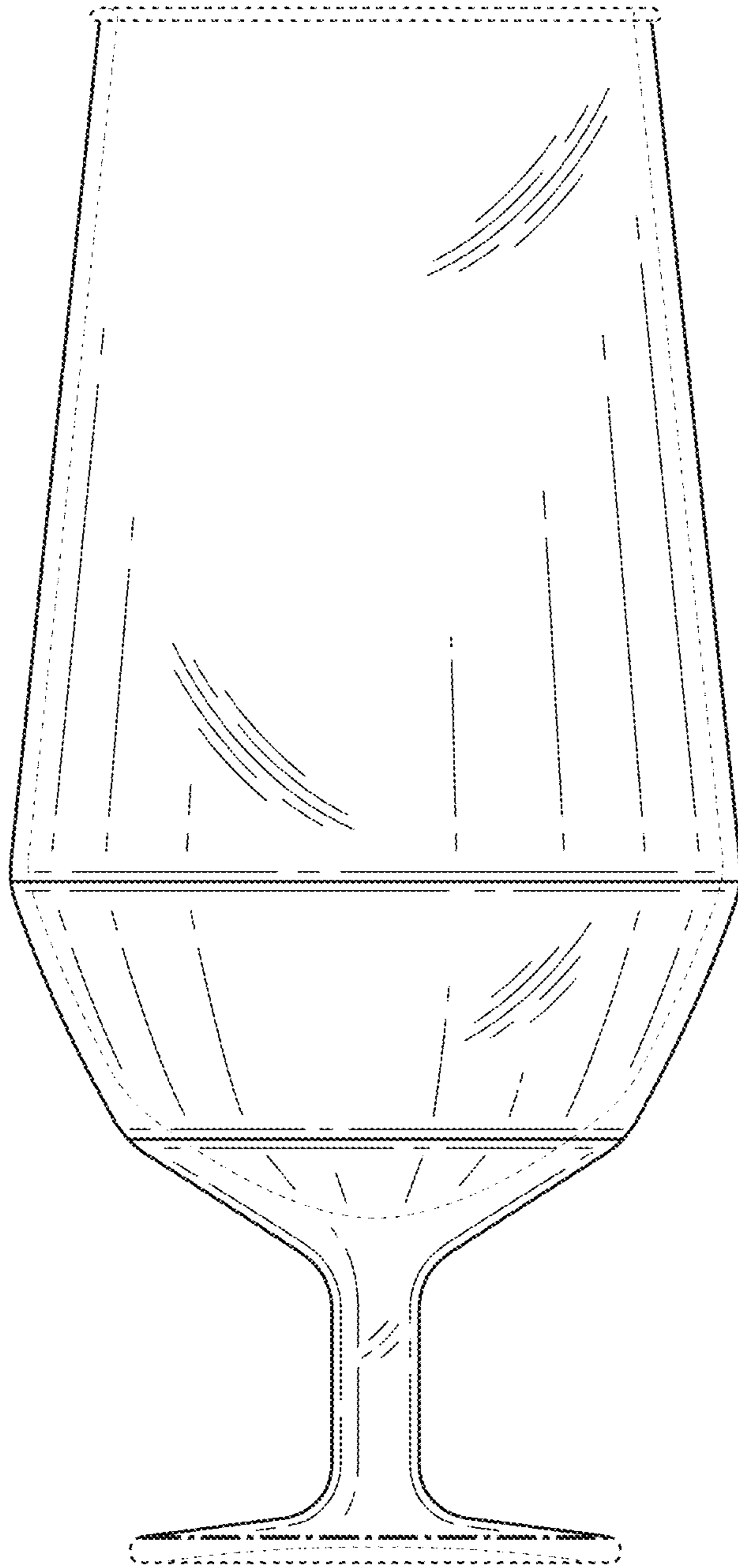


FIG. 3

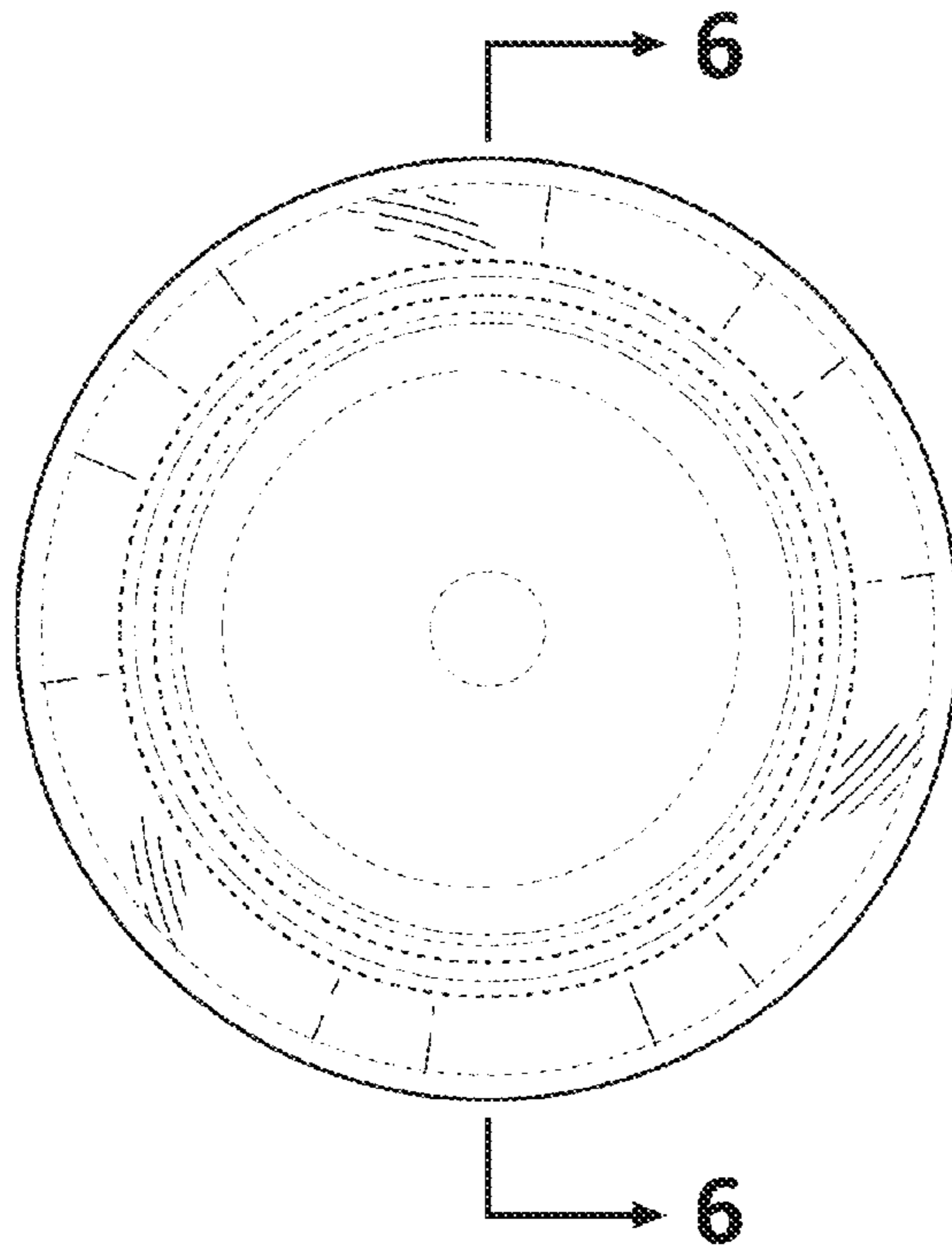


FIG. 4

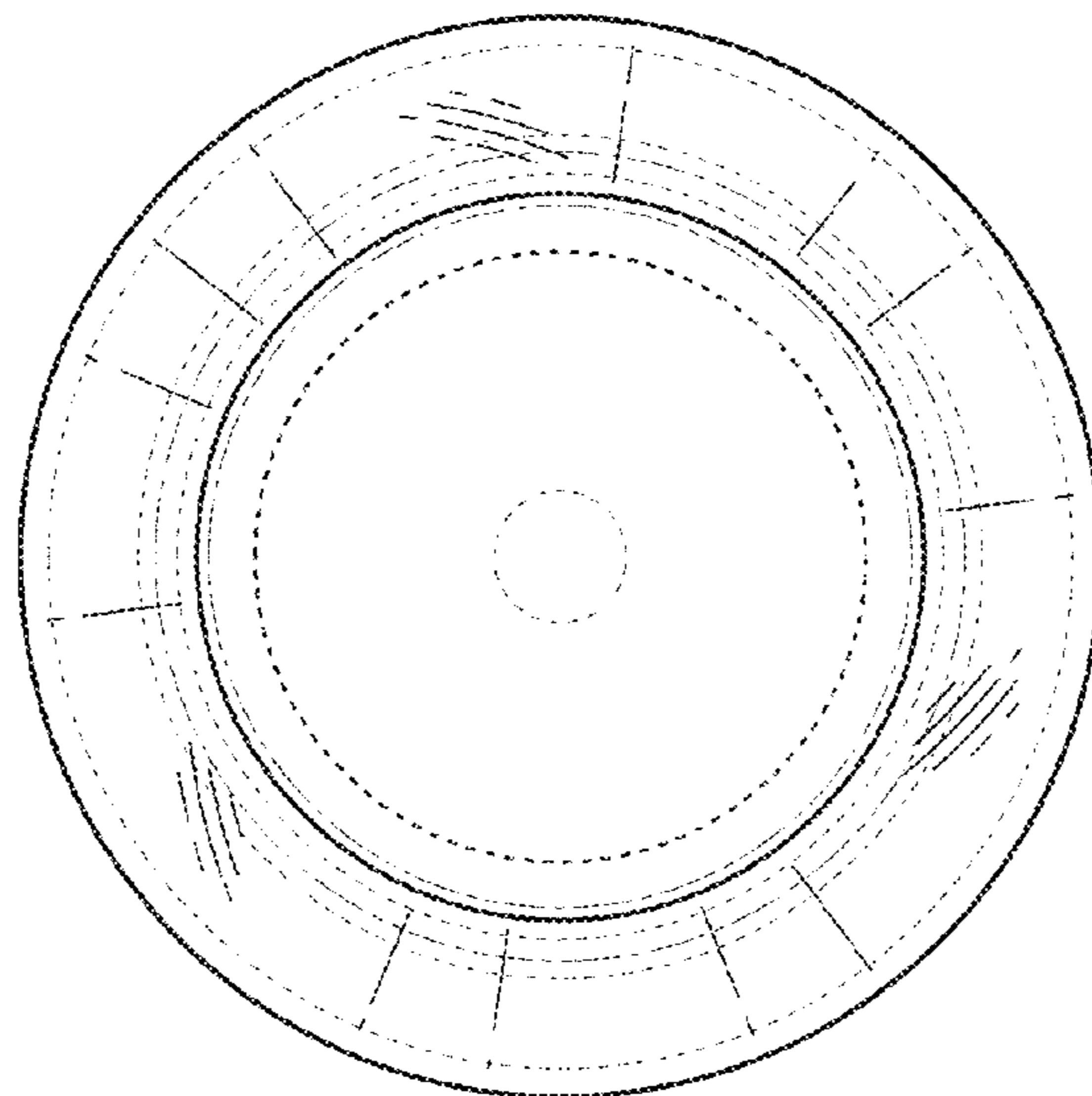


FIG. 5

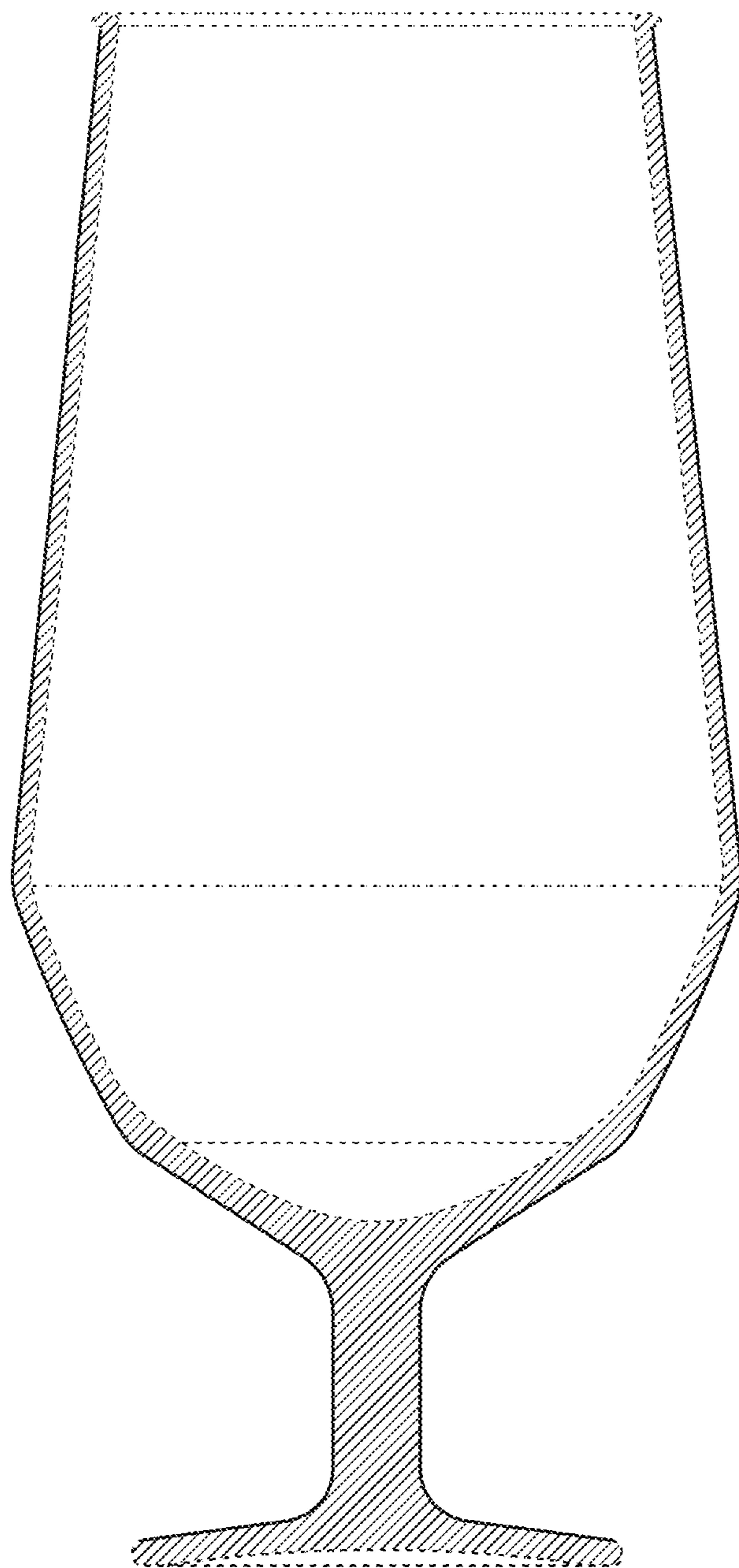


FIG. 6



FIG. 7

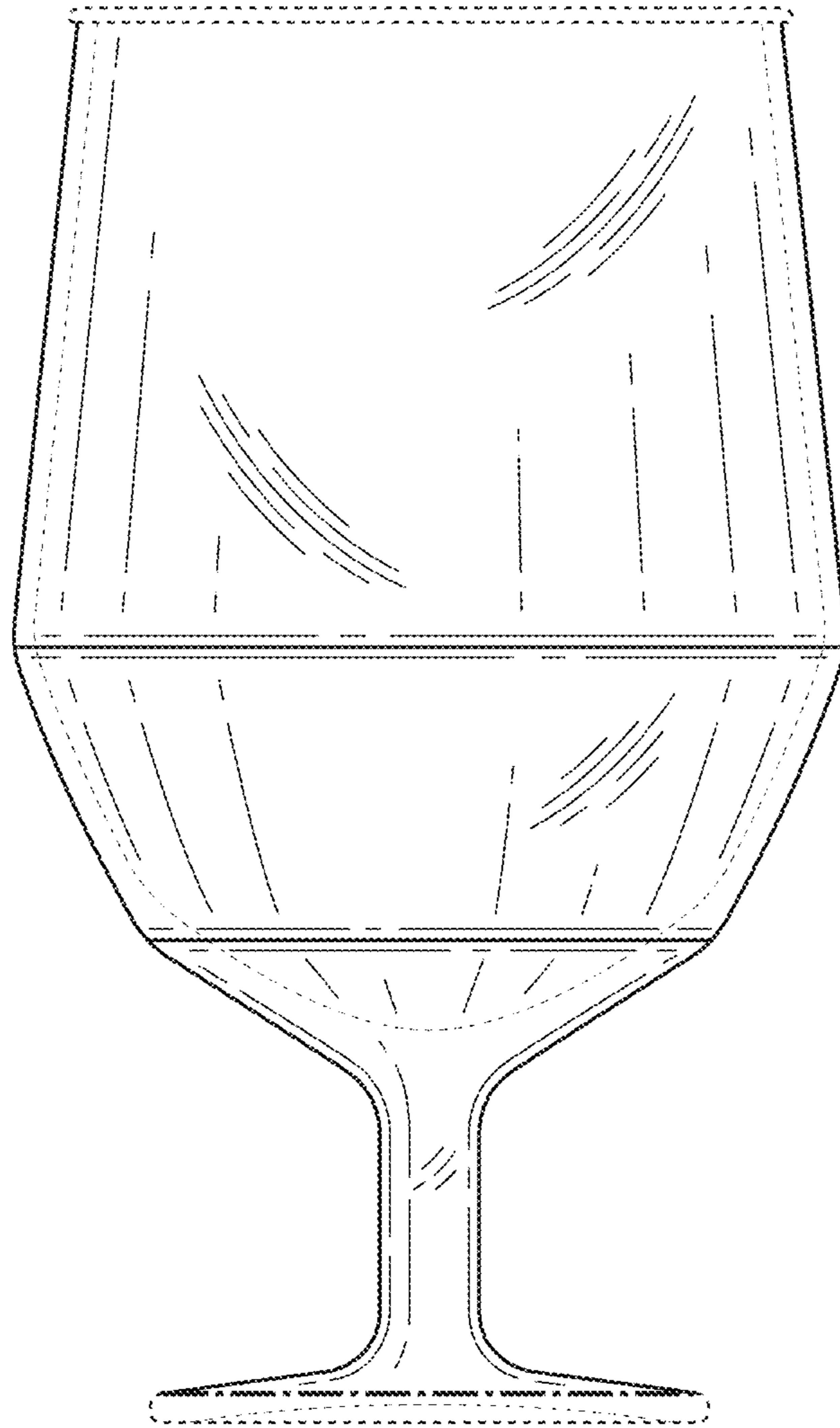


FIG. 8

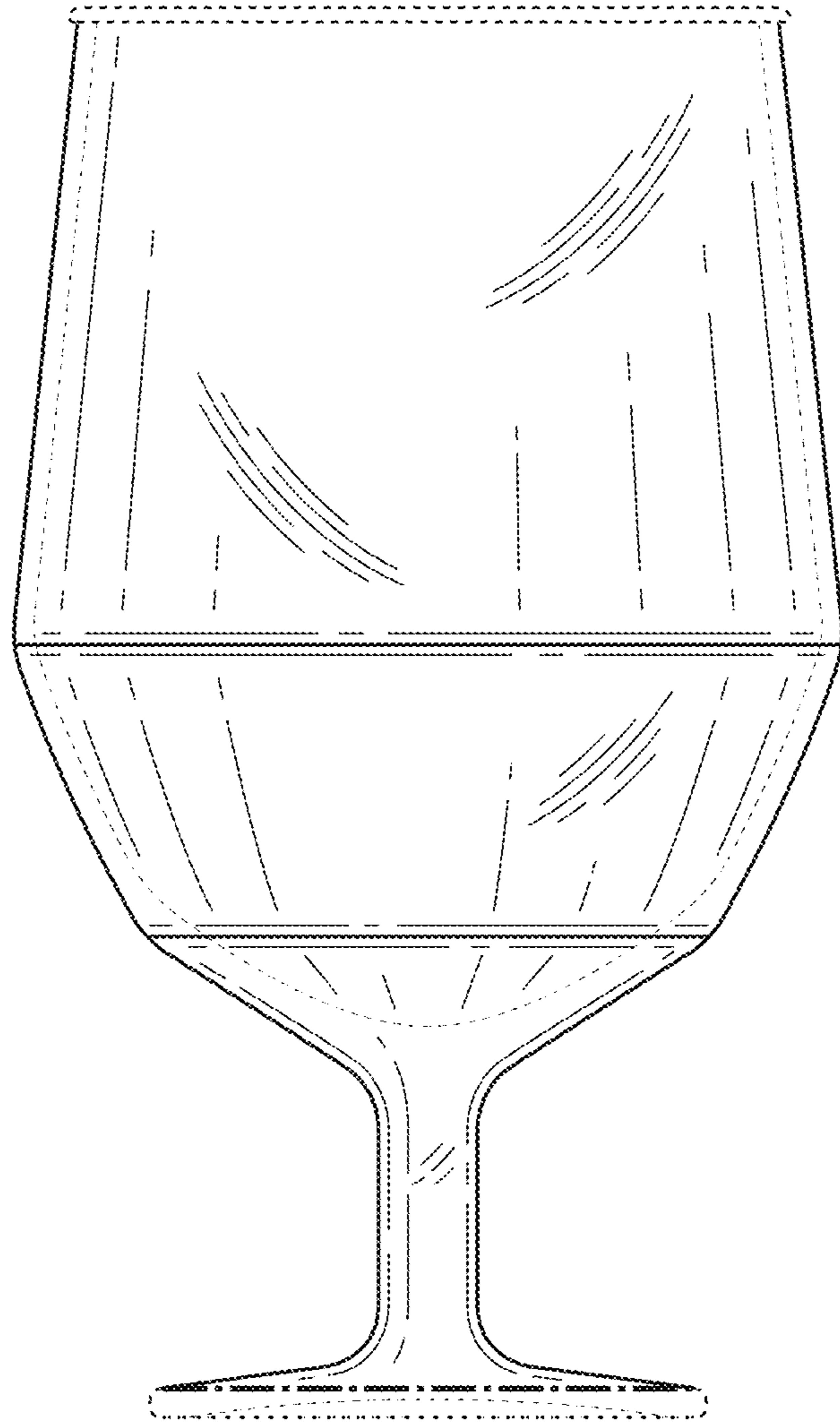


FIG. 9

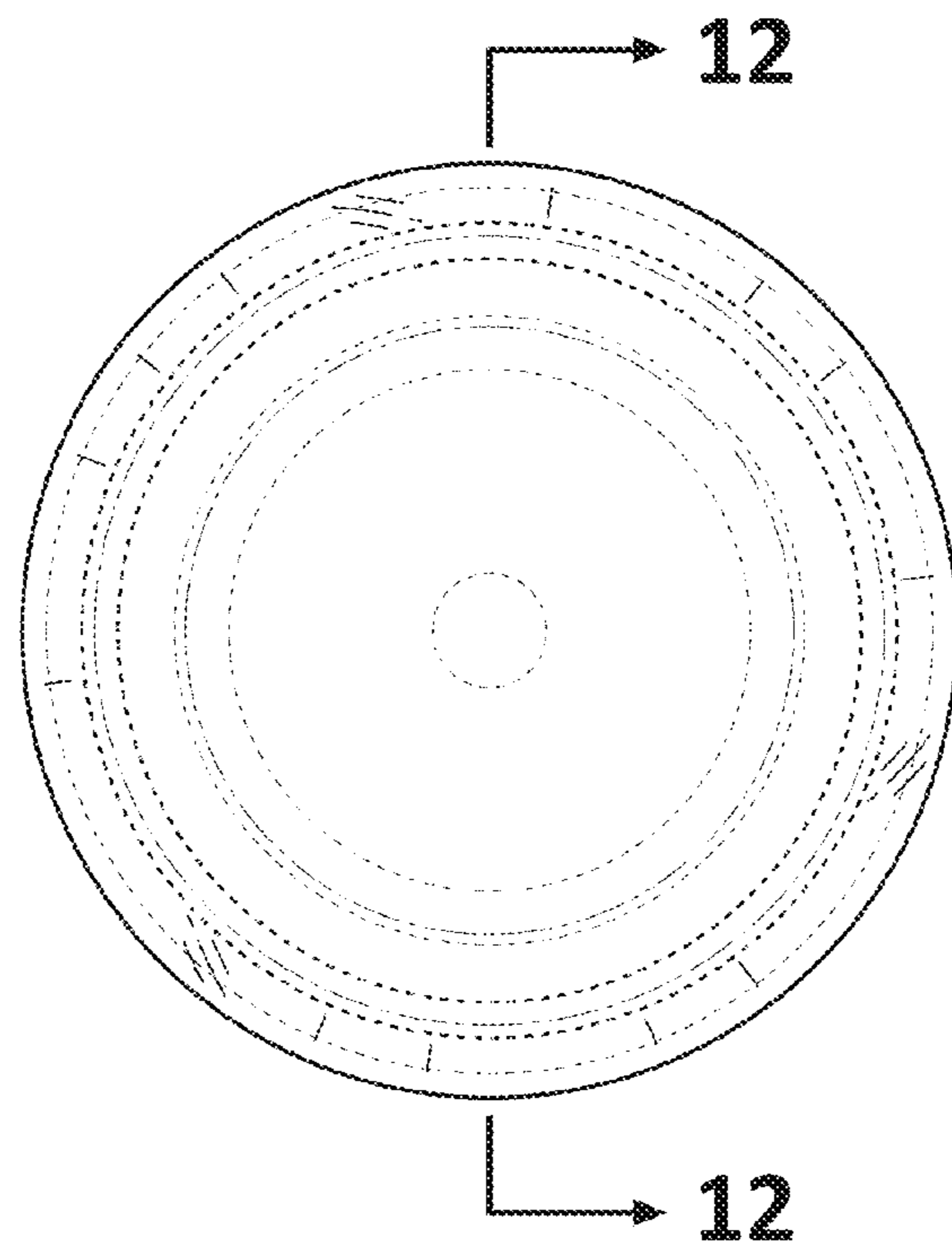


FIG. 10

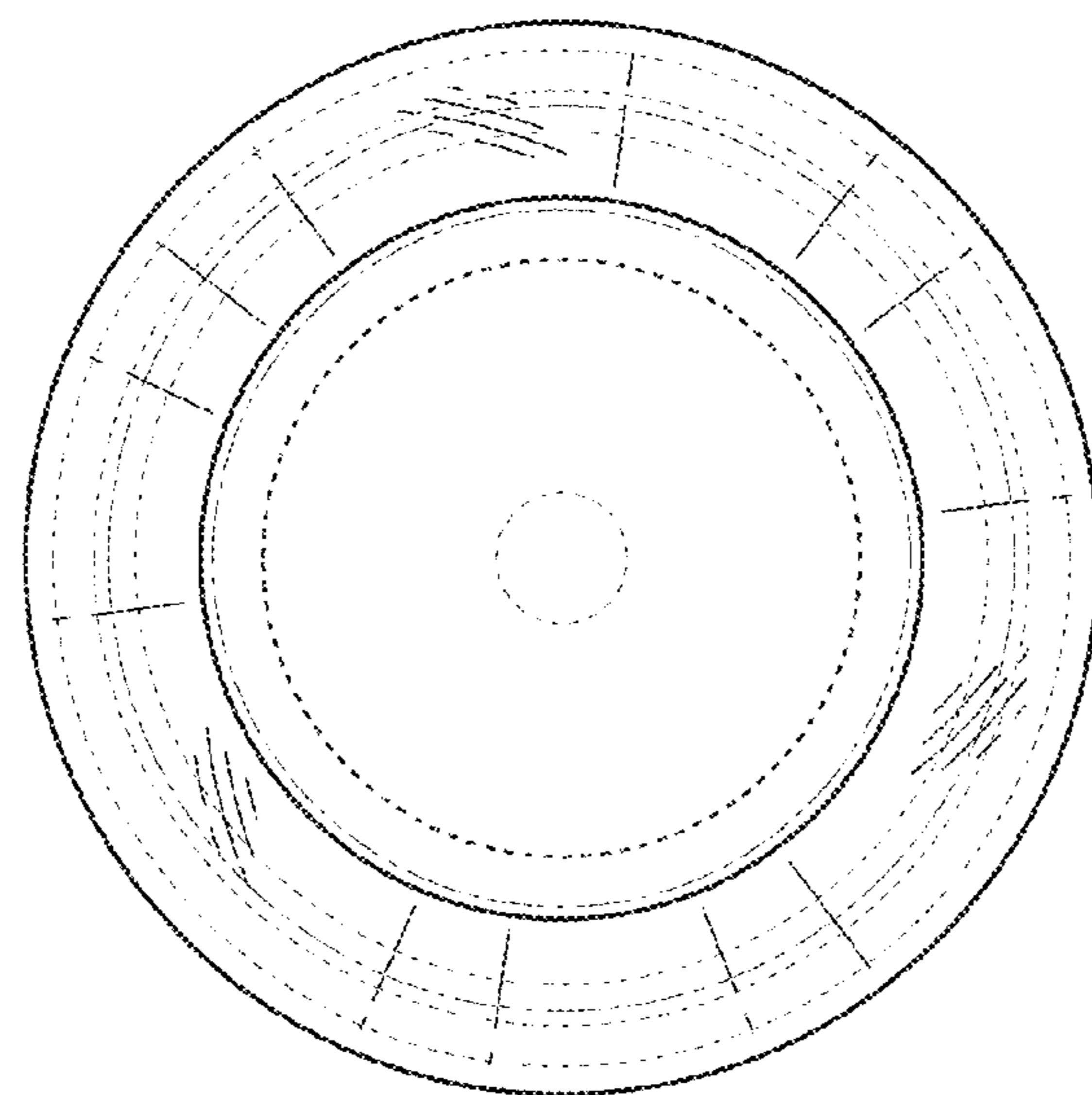


FIG. 11

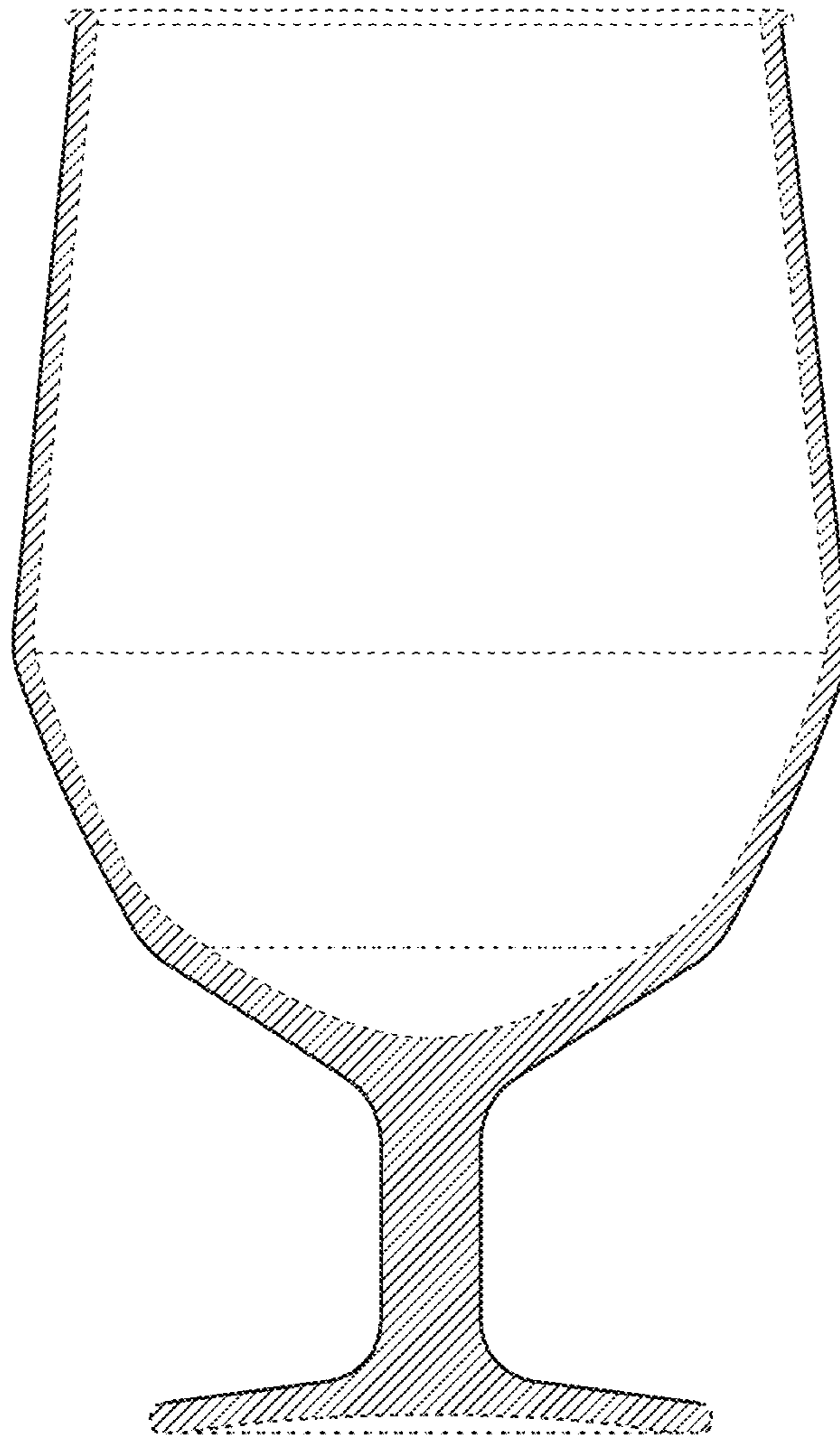


FIG. 12