



US00D713203S

(12) **United States Design Patent**
Vogt et al.

(10) **Patent No.:** **US D713,203 S**
(45) **Date of Patent:** **** Sep. 16, 2014**

- (54) **SHAKER BOTTLE**
- (71) Applicants: **Jeremy Vogt**, Urich, MO (US); **Scott Salmon**, Creighton, MO (US)
- (72) Inventors: **Jeremy Vogt**, Urich, MO (US); **Scott Salmon**, Creighton, MO (US)
- (73) Assignee: **Jeremy Vogt**, Urich, MO (US)
- (**) Term: **14 Years**
- (21) Appl. No.: **29/461,631**
- (22) Filed: **Jul. 25, 2013**
- (51) **LOC (10) Cl.** **07-01**
- (52) **U.S. Cl.**
USPC **D7/515**; D7/300.1; D7/901; D7/510;
D9/668
- (58) **Field of Classification Search**
CPC A47G 19/2205; A47G 19/2227; A47G
19/2272
USPC D7/901, 510, 515, 514, 300.1;
D21/681, 682; D9/668, 538, 503;
220/703, 603; 215/12.1; D3/202;
482/108
See application file for complete search history.

D337,522 S *	7/1993	Kingsbury	D9/538
5,620,112 A *	4/1997	Brown	220/703
D409,266 S *	5/1999	Rojas et al.	D21/681
D414,655 S *	10/1999	Schwarz	D7/514
D456,705 S *	5/2002	Vijn	D9/668
D465,151 S *	11/2002	Mixon	D9/668
D489,001 S *	4/2004	Martin	D9/668
D490,653 S *	6/2004	Kleckauskas et al.	D7/510
D538,359 S *	3/2007	Yordinsky	D21/681
D553,435 S	10/2007	de Groote		
D566,451 S	4/2008	Wang		
D596,492 S *	7/2009	Safdieh	D9/668
D597,612 S *	8/2009	Lien	D21/681
D609,526 S *	2/2010	Tuttle	D7/507
D609,968 S *	2/2010	Stern	D7/510
D627,234 S *	11/2010	Hanak	D9/668
D632,918 S	2/2011	Gordon		
D641,888 S *	7/2011	Jenkins et al.	D24/197
D650,289 S *	12/2011	Bosiljevac et al.	D9/668
D687,661 S	8/2013	Cetera et al.		
D692,970 S *	11/2013	Lien	D21/681
D695,128 S *	12/2013	Ozsinmaz	D9/668
D699,996 S	2/2014	De Leo		
8,695,836 B1 *	4/2014	Gregory	220/524

* cited by examiner

Primary Examiner — Marianne Pandozzi
(74) *Attorney, Agent, or Firm* — Gerald Kraai

(57) **CLAIM**
The ornamental design for shaker bottle, as shown and described.

(56) **References Cited**

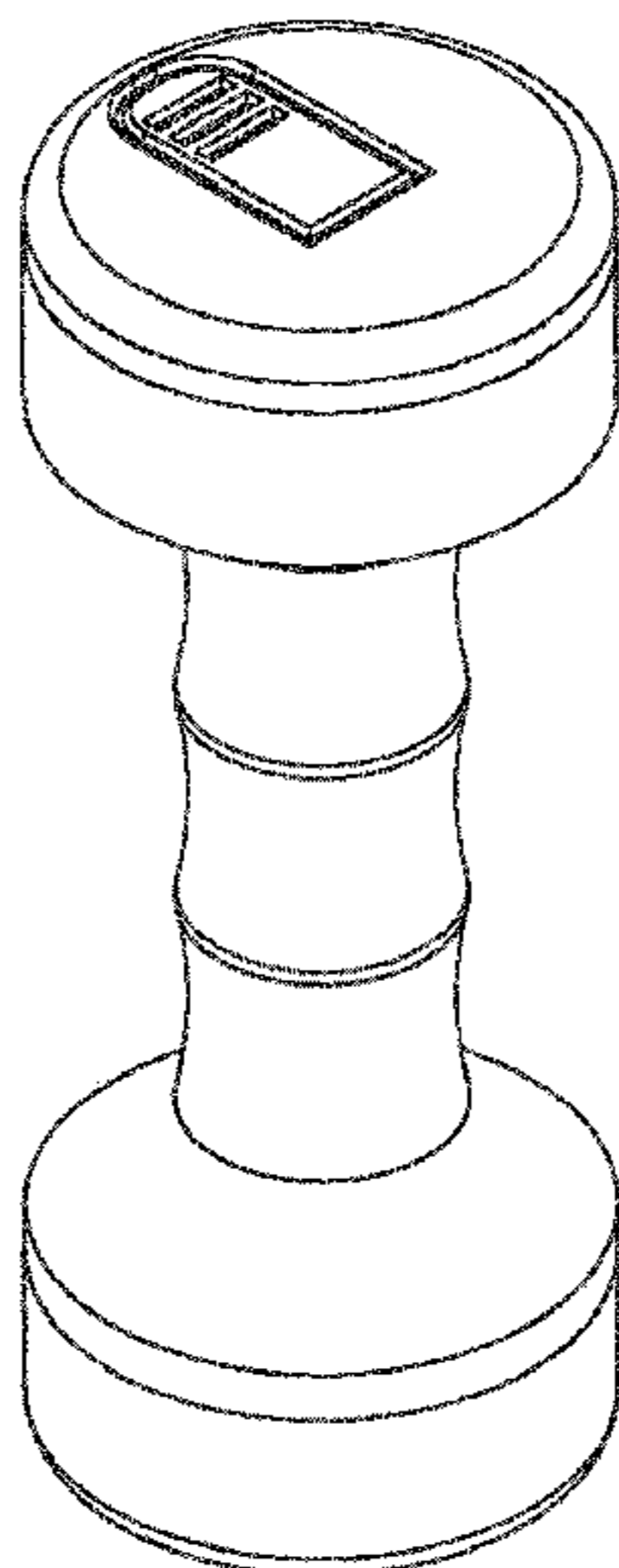
U.S. PATENT DOCUMENTS

3,971,556 A *	7/1976	Petrie et al.	482/108
D244,635 S	6/1977	Cohen		
D247,152 S	2/1978	Rayfield		
D248,204 S	6/1978	Daenen		
D250,506 S	12/1978	Gobleck, Jr.		
D254,227 S	2/1980	Young		
D254,467 S	3/1980	Thrush		
D255,532 S	6/1980	Saffell		
D257,204 S	10/1980	Bounds		
D269,950 S *	8/1983	Walker	D9/668
D302,038 S *	7/1989	Barber	D24/197
D317,256 S *	6/1991	Samuels	D9/503

DESCRIPTION

FIG. 1 is a perspective view of the shaker bottle of the invention;
FIG. 2 is a front view of the shaker bottle of FIG. 1, the rear view, right side view, and left side view of the shaker bottle are identical to the front view;
FIG. 3 is an enlarged top plan view of the shaker bottle of FIG. 1; and,
FIG. 4 is a bottom view of the shaker bottle of FIG. 1.

1 Claim, 4 Drawing Sheets



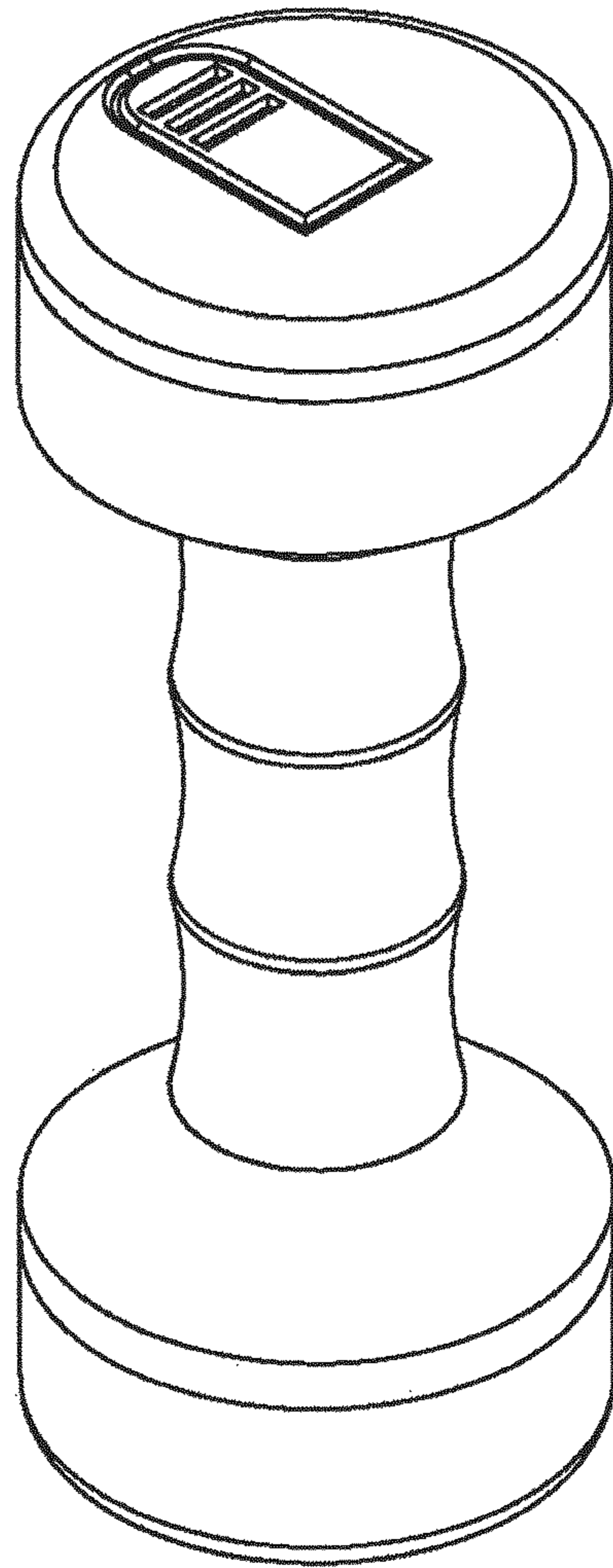


Fig. 1

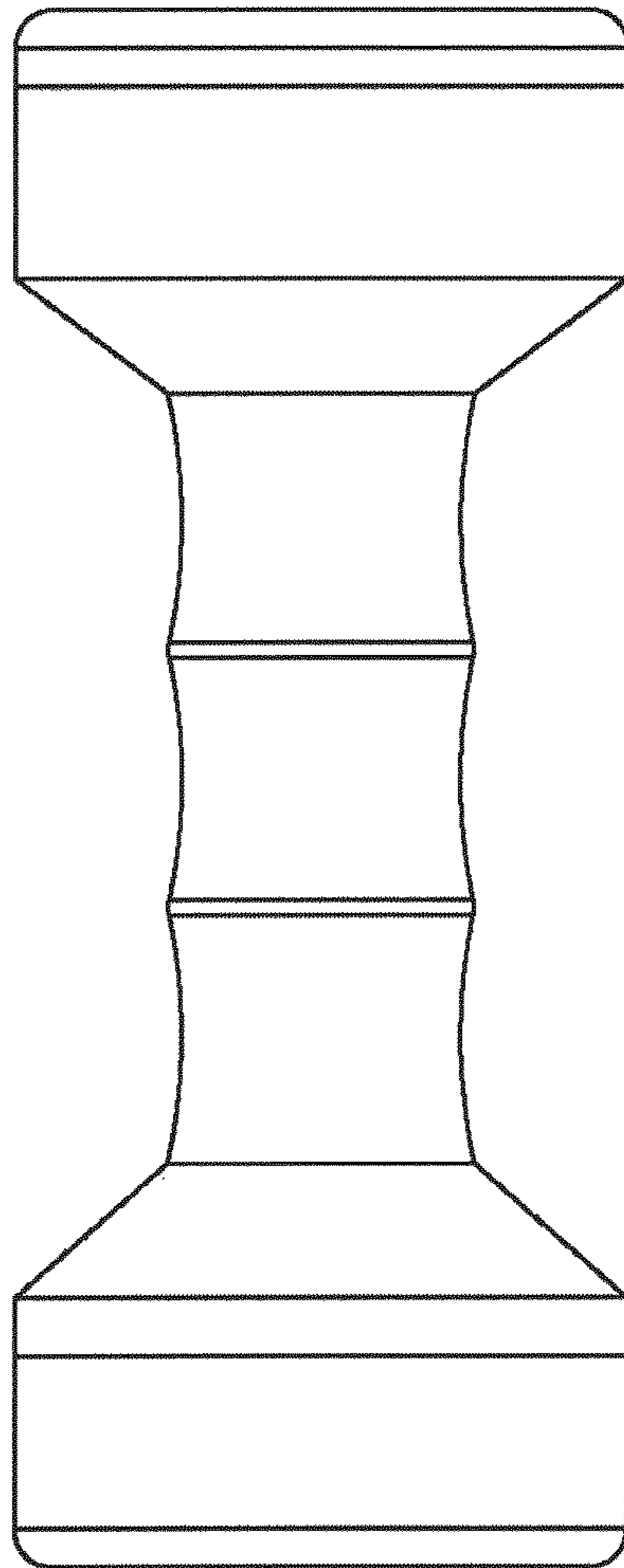


Fig. 2

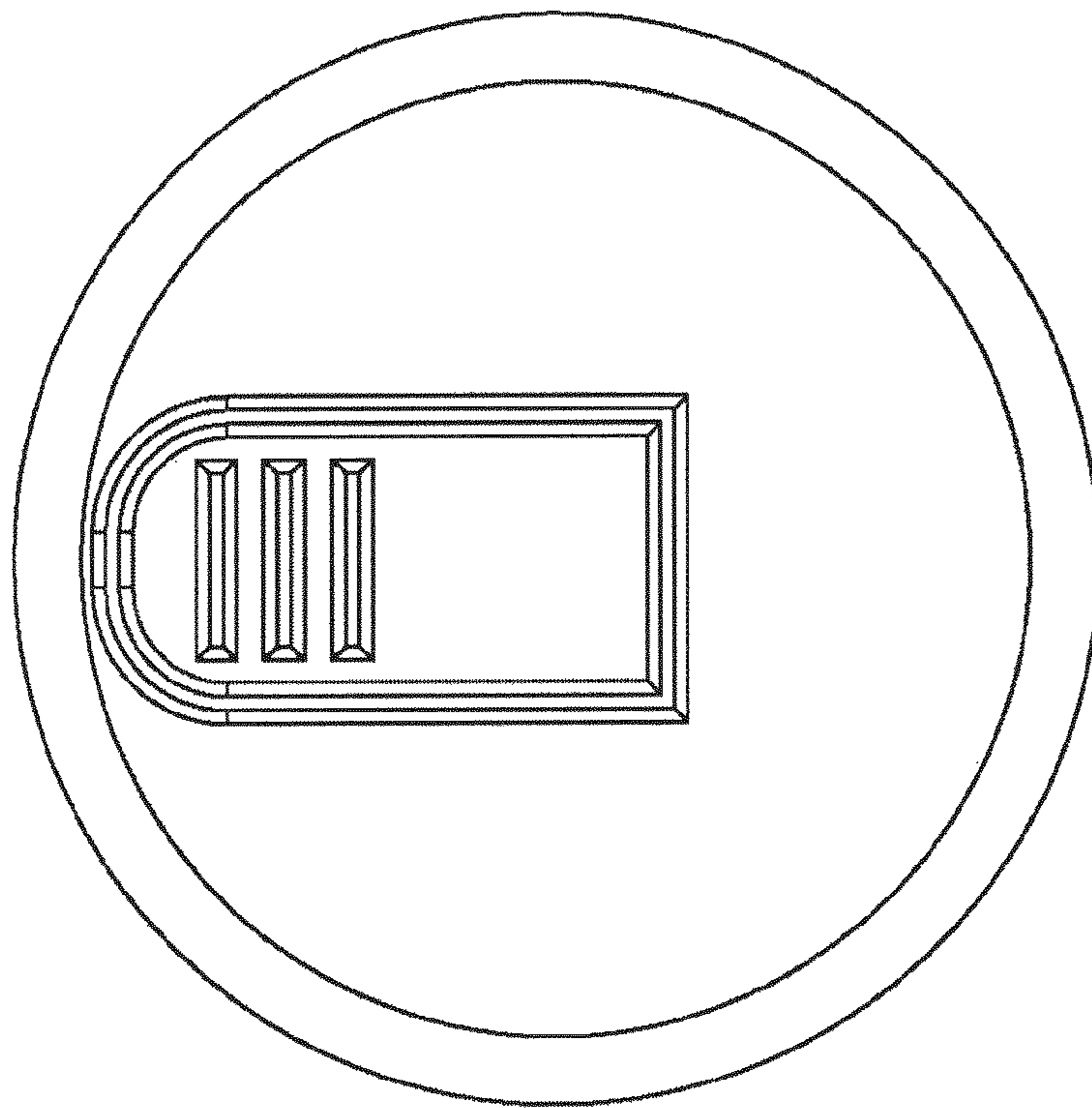


Fig. 3

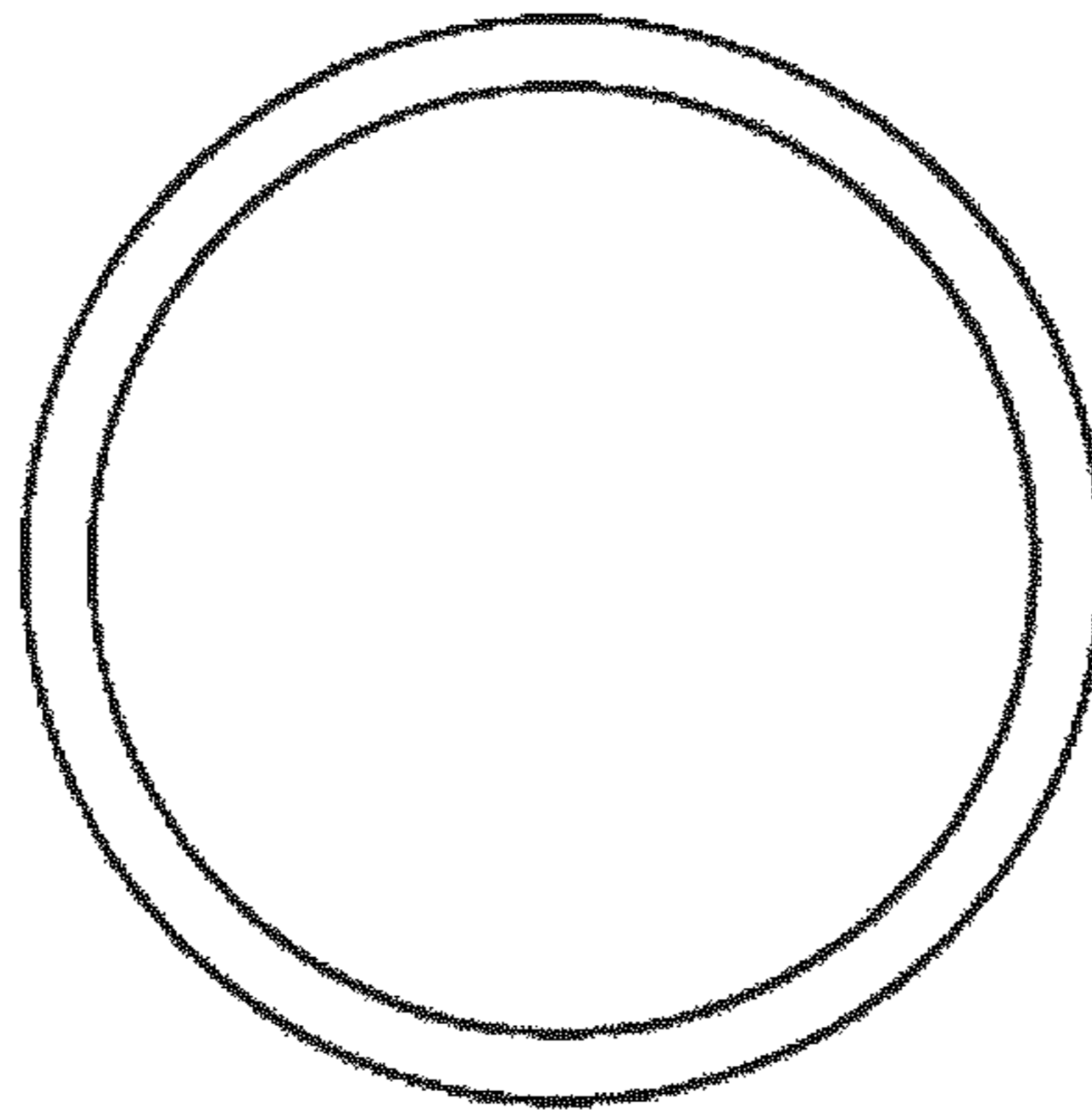


Fig. 4