



US00D713200S

(12) **United States Design Patent**
Furuta et al.

(10) **Patent No.:** **US D713,200 S**
(45) **Date of Patent:** **** Sep. 16, 2014**

- (54) **SUSCEPTOR WITH HEATER**
- (75) Inventors: **Gaku Furuta**, Sunnyvale, CA (US);
John M. White, Hayward, CA (US);
Robin L. Tiner, Santa Cruz, CA (US);
Suhail Anwar, Saratoga, CA (US); **Soo Young Choi**, Fremont, CA (US)
- (73) Assignee: **Applied Materials, Inc.**, Santa Clara, CA (US)

D564,838	S *	3/2008	Shin et al.	D7/408
7,768,765	B2	8/2010	Nguyen et al.		
D651,043	S *	12/2011	Sarnoff et al.	D7/409
8,466,396	B2 *	6/2013	Carll et al.	219/734
8,490,615	B2 *	7/2013	Cudnohoske et al.	126/93
D701,329	S *	3/2014	Tiner et al.	D25/199
8,709,162	B2 *	4/2014	Leung et al.	118/728
D706,577	S *	6/2014	Funnell et al.	D7/409
2003/0044621	A1	3/2003	Won et al.		
2006/0003279	A1 *	1/2006	Best	431/328
2007/0029642	A1	2/2007	Inagawa et al.		
2007/0039942	A1	2/2007	Leung et al.		

(**) Term: **14 Years**

* cited by examiner

(21) Appl. No.: **29/430,967**

Primary Examiner — Ricky Pham

(22) Filed: **Aug. 31, 2012**

(74) *Attorney, Agent, or Firm* — Patterson & Sheridan, LLP

(51) **LOC (10) Cl.** **07-02**

(52) **U.S. Cl.**
USPC **D7/409**

(58) **Field of Classification Search**
USPC D7/323, 346, 354–361, 388, 408–409,
D7/543, 545, 549, 550.1, 553.1–553.8,
D7/554.1–554.4, 555, 584, 586;
D9/430–433, 455–456, 715, 737,
D9/756–762; D25/199; 99/324, 340, 422,
99/425–426, 432, DIG. 15; 118/728;
126/93, 263.01; 219/450.1, 620–622,
219/725, 734; 220/500, 506–507,
220/573.1–573.5, 574–575, 607–608,
220/752–753, 912; 229/903–904, 906;
431/328

See application file for complete search history.

(56) **References Cited**

U.S. PATENT DOCUMENTS

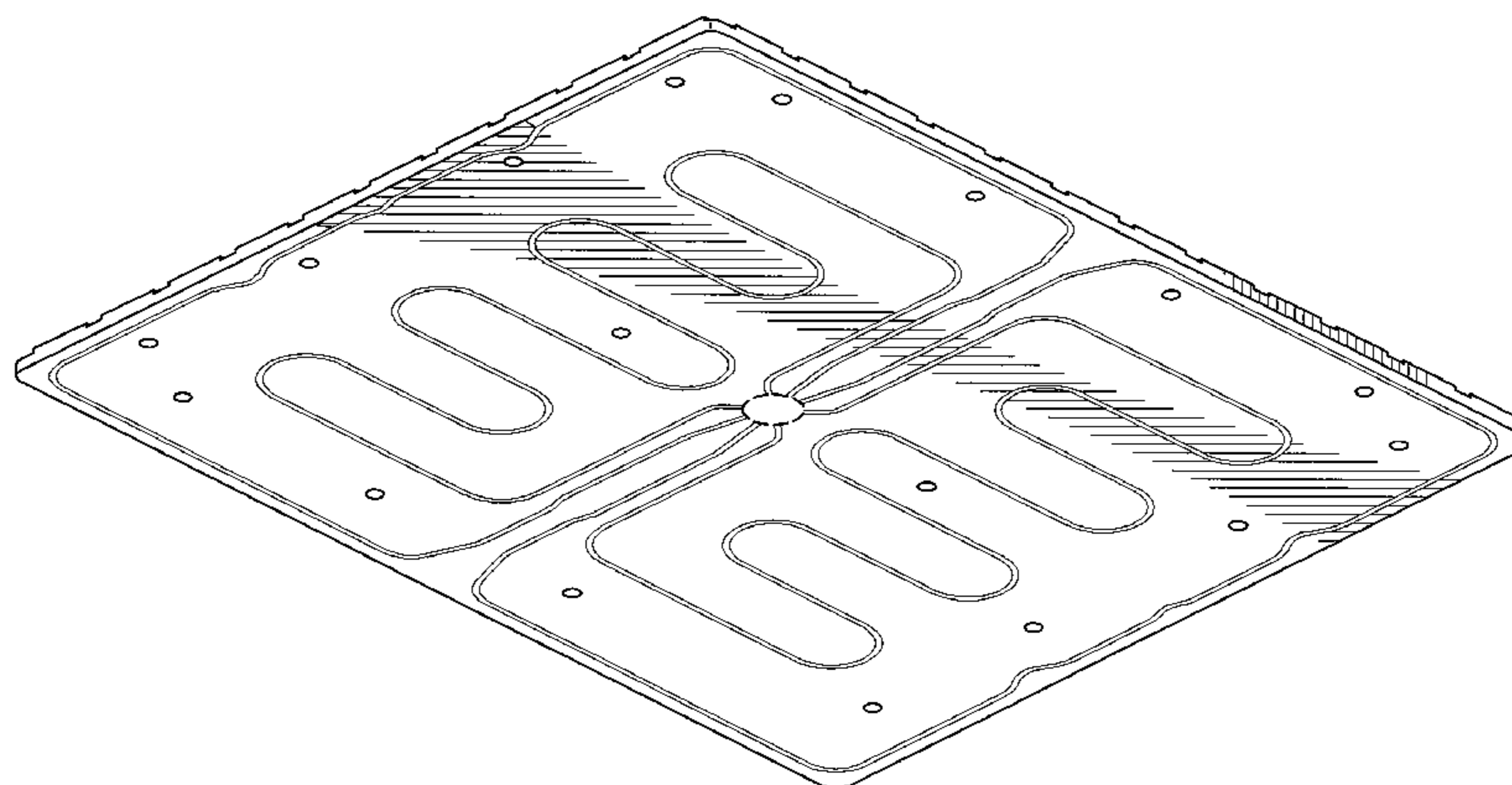
3,237,552	A *	3/1966	Cronheim	99/340
5,355,869	A *	10/1994	Pickard et al.	126/263.01
D489,933	S *	5/2004	Rummel et al.	D7/346
D554,945	S *	11/2007	Chung	D7/409

(57) **CLAIM**
The ornamental design for a susceptor with heater, as shown and described.

DESCRIPTION

FIG. 1 is an isometric bottom view of a susceptor with heater. FIG. 2 is an isometric top view of the susceptor with heater of FIG. 1. FIG. 3 is a bottom plan view of the susceptor with heater of FIG. 1. FIG. 4 is a top plan view of the susceptor with heater of FIG. 1. FIG. 5 is a side elevation view of the susceptor with heater of FIG. 1. The opposing side elevation view is a mirror-image. FIG. 6 is a side elevation view of the susceptor with heater of FIG. 1. The opposing side elevation view is a mirror-image. FIG. 7 is a cross-sectional view taken along section 7-7 of FIG. 4; and, FIG. 8 is an enlarged plan view of a portion of the susceptor with heater of FIG. 3. The broken lines in the Figures form no part of the claimed design.

1 Claim, 5 Drawing Sheets



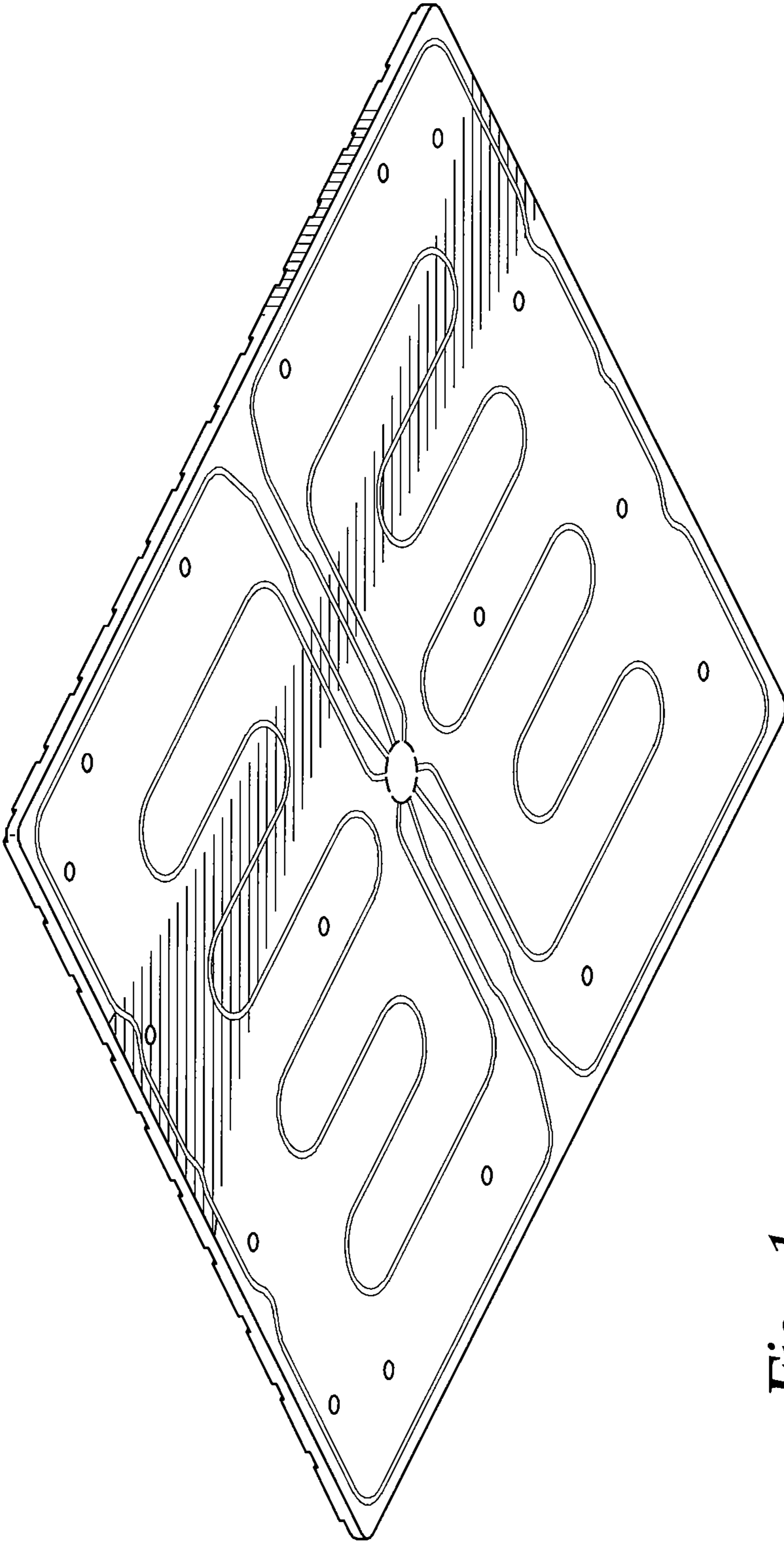


Fig. 1

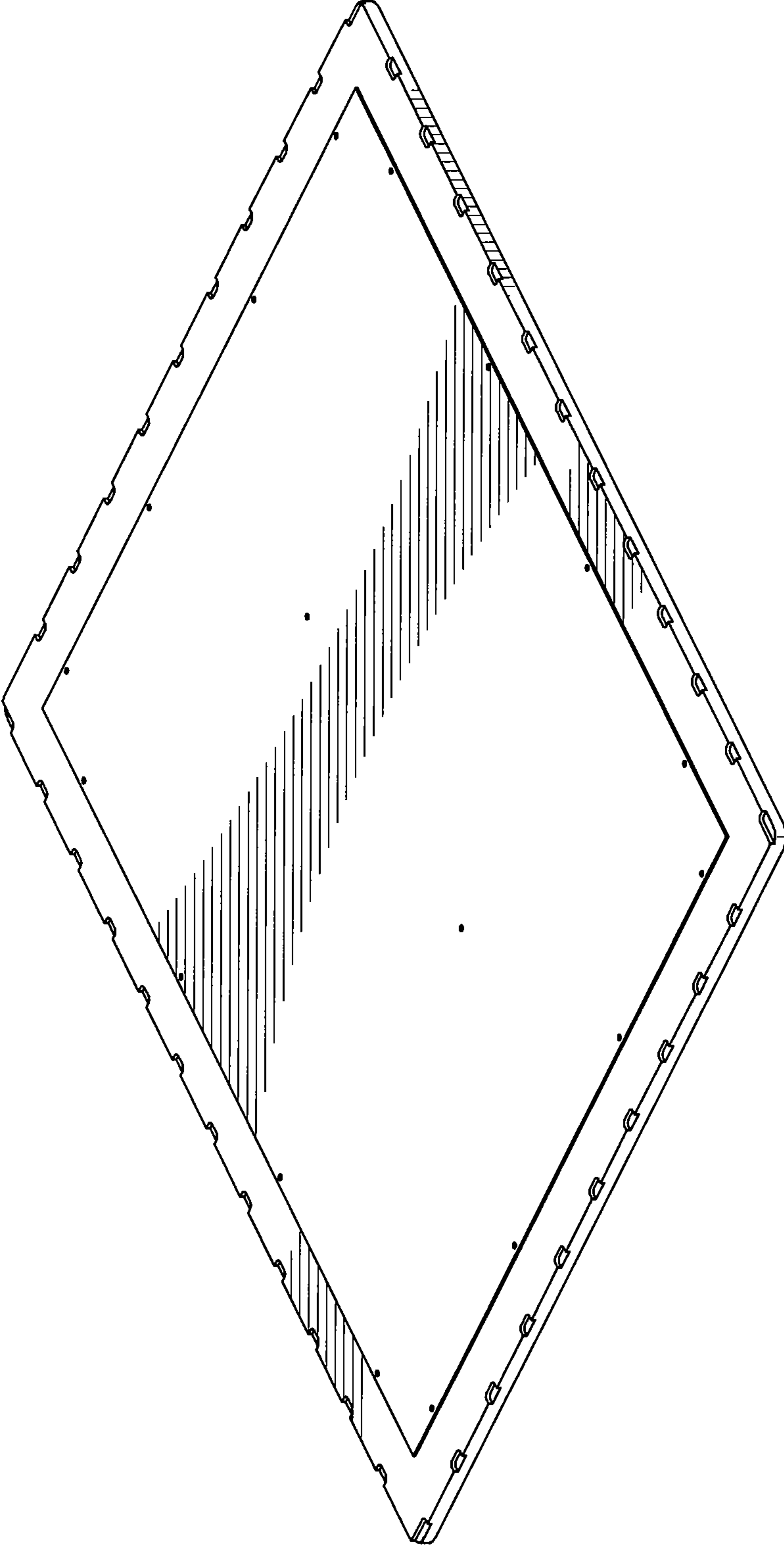


Fig. 2

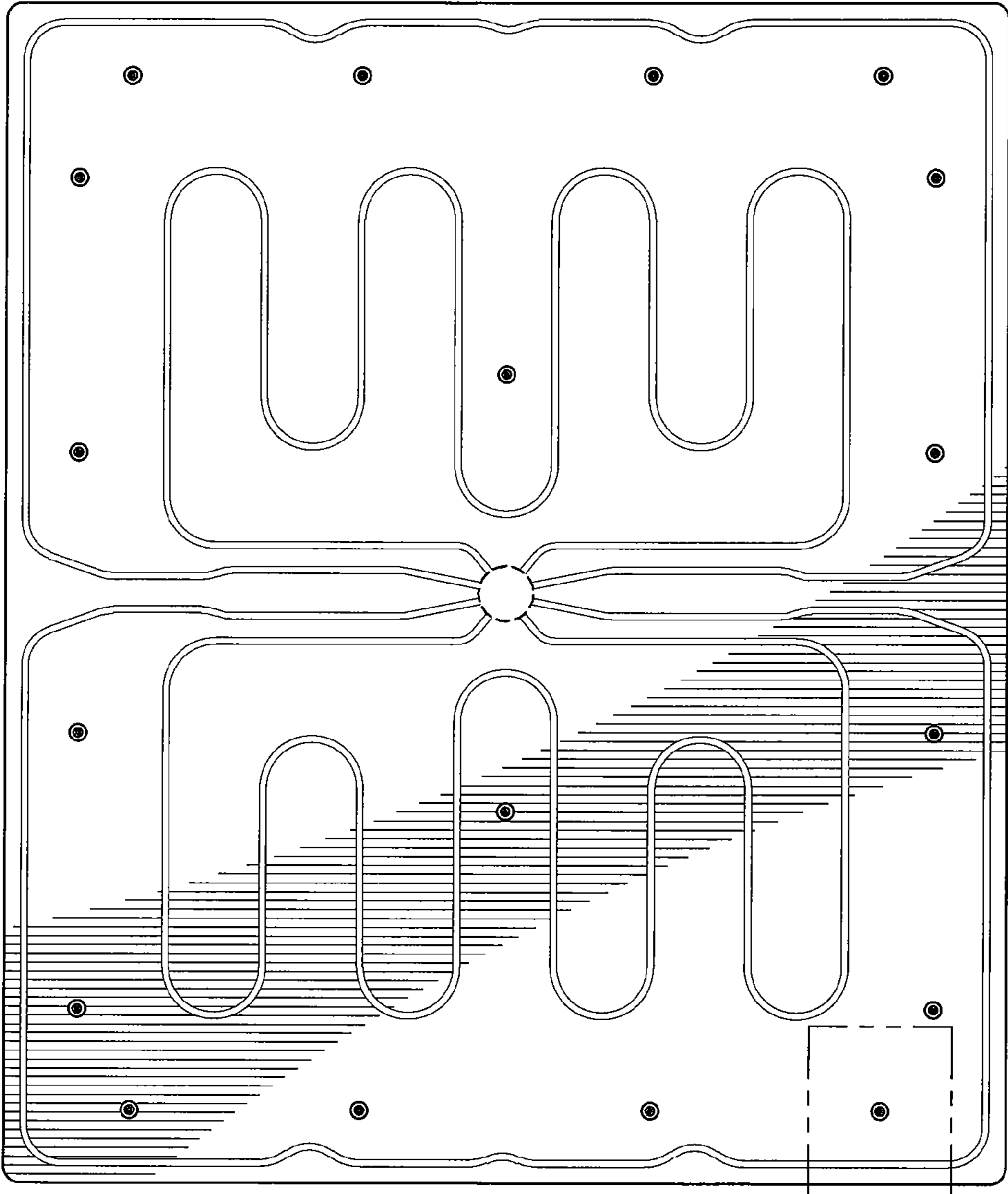


Fig. 8

Fig. 3

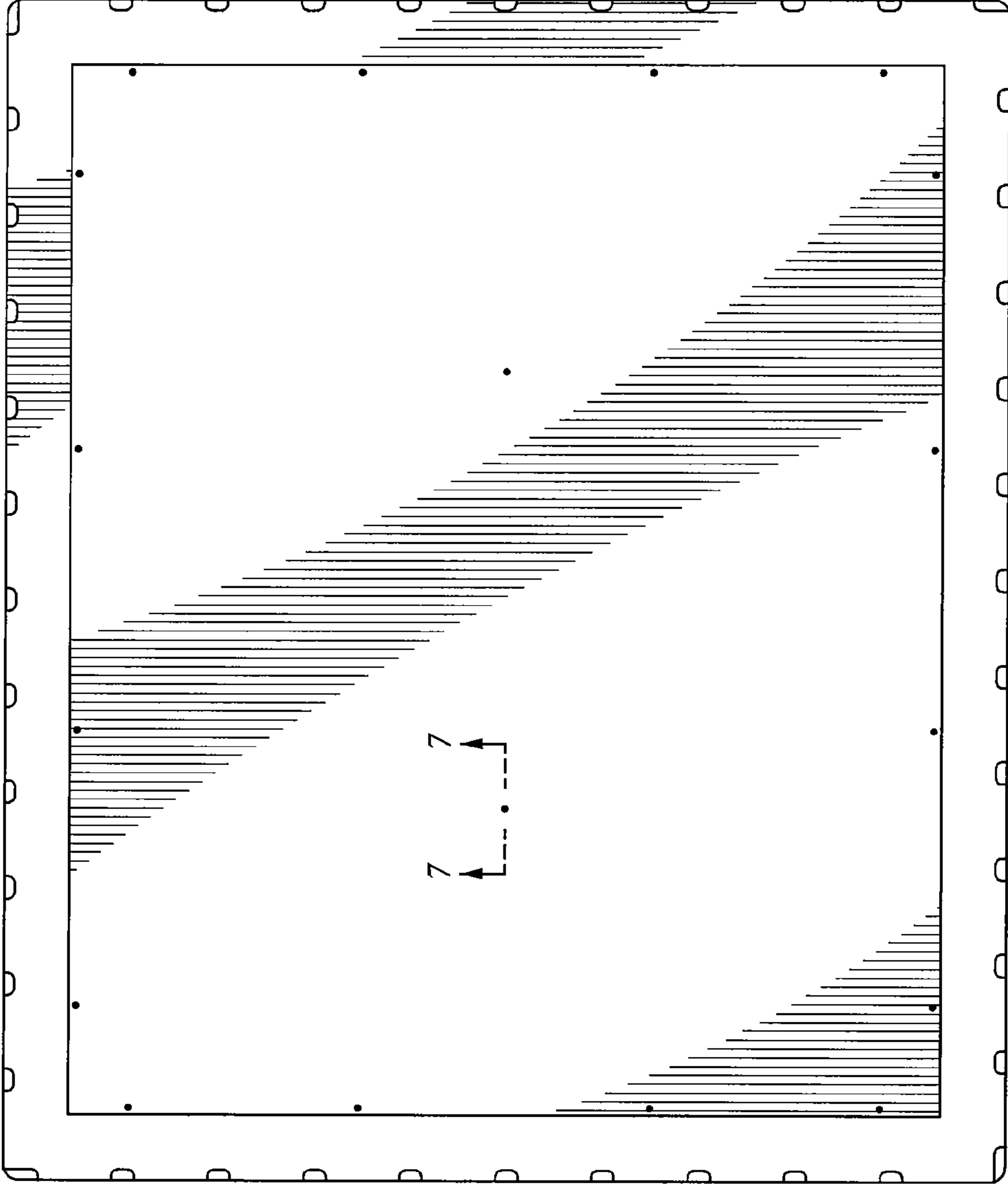


Fig. 4



Fig. 5

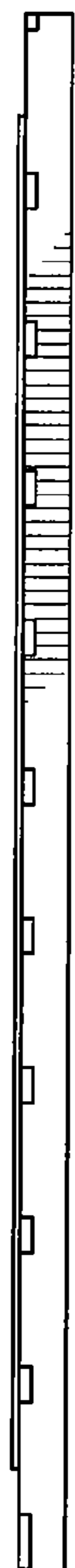


Fig. 6

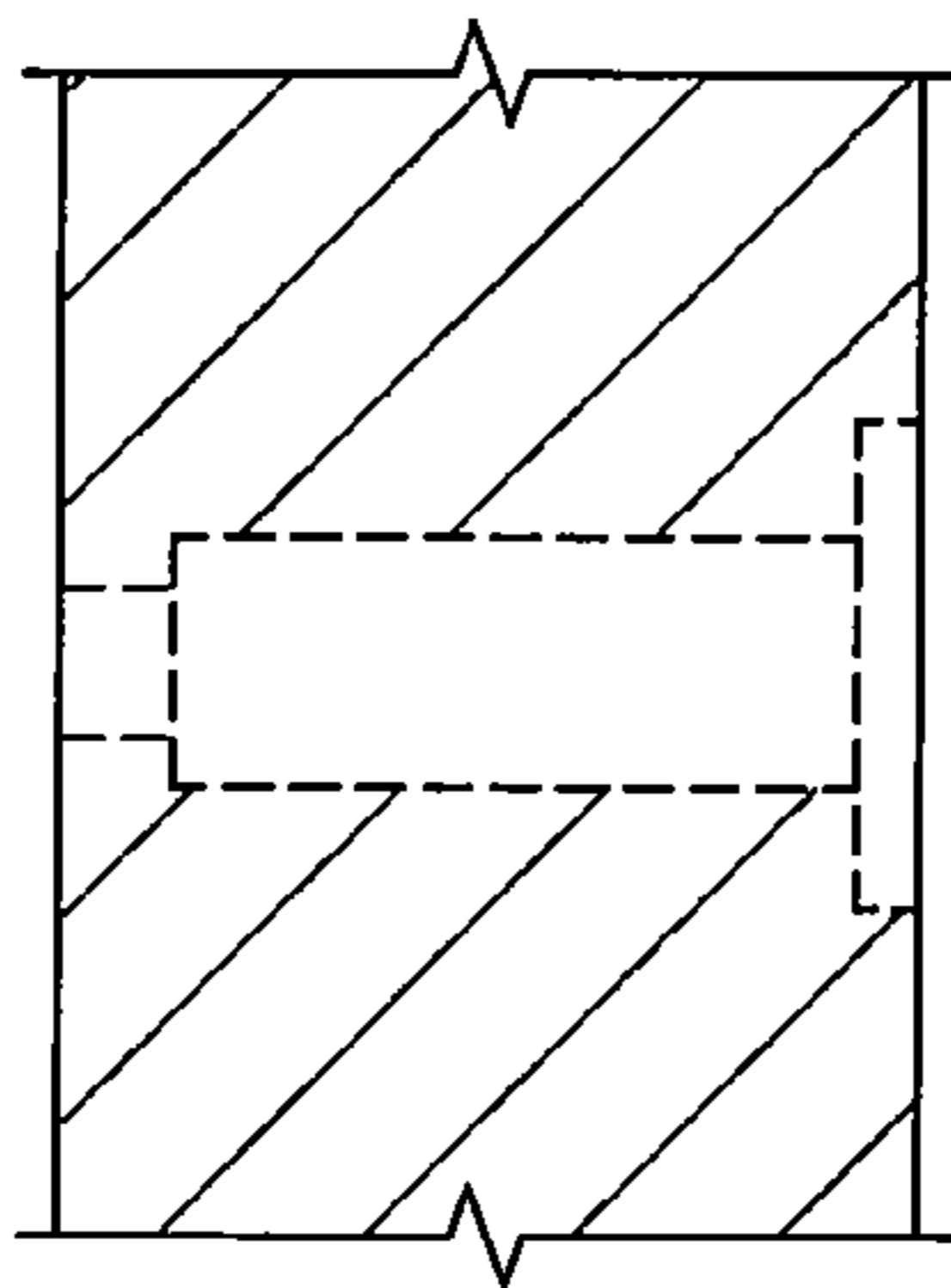


Fig. 7

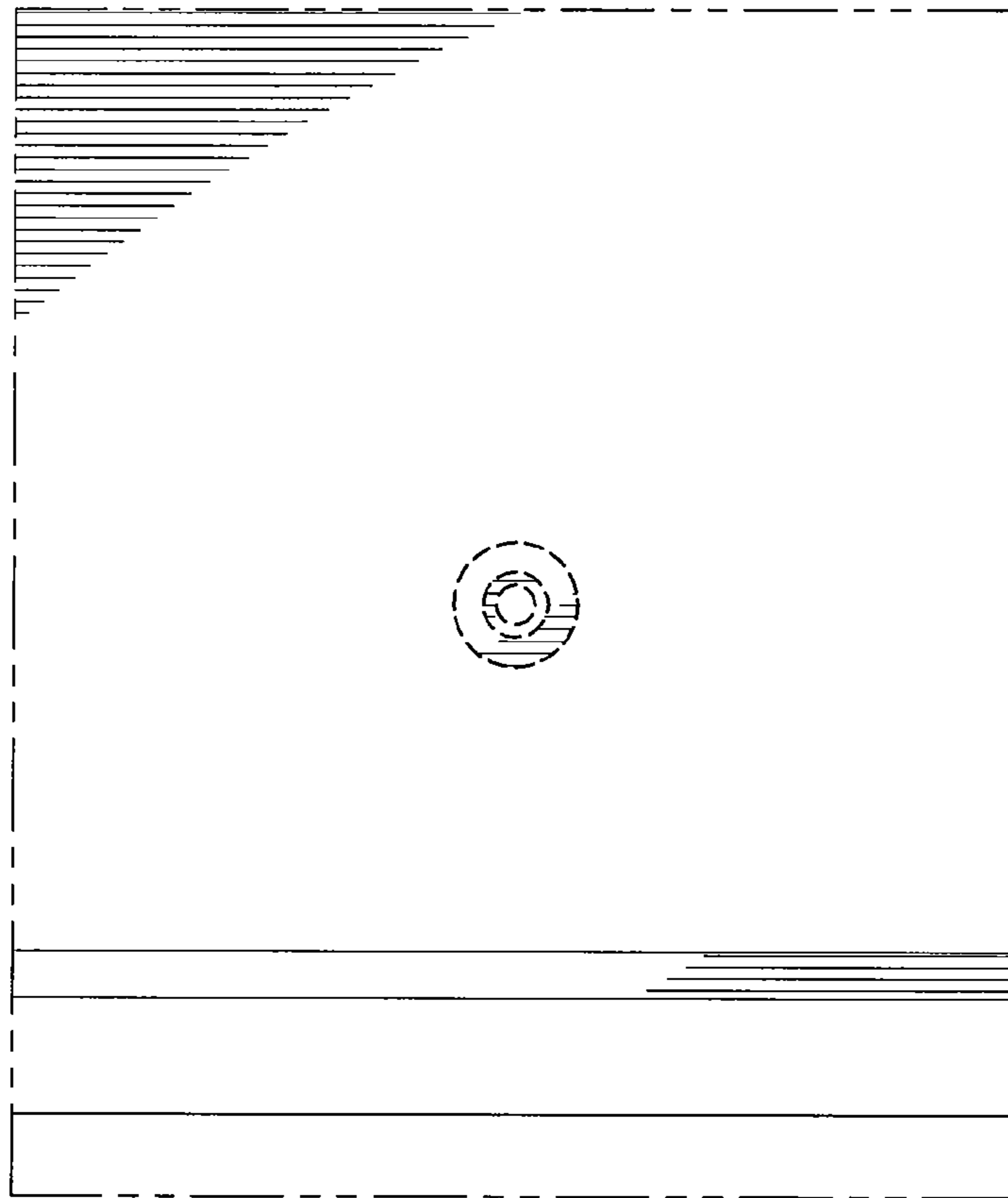


Fig. 8