



US00D713198S

(12) **United States Design Patent**
Rae

(10) **Patent No.:** **US D713,198 S**

(45) **Date of Patent:** **** Sep. 16, 2014**

(54) **SIDE HANDLE FOR COOKWARE**

(71) Applicant: **Meyer Intellectual Properties Ltd.,**
Kowloon (HK)

(72) Inventor: **Robert A. Rae,** Las Vegas, NV (US)

(73) Assignee: **Meyer Intellectual Properties Limited**
(VG)

(**) Term: **14 Years**

(21) Appl. No.: **29/477,739**

(22) Filed: **Dec. 26, 2013**

Related U.S. Application Data

(62) Division of application No. 29/444,953, filed on Feb. 6, 2013, now Pat. No. Des. 696,901.

(51) **LOC (10) Cl.** **07-02**

(52) **U.S. Cl.**
USPC **D7/394**

(58) **Field of Classification Search**

USPC D7/354–361, 391, 393–395, 396.2, 514,
D7/664; D8/107, 300, 301, 306, 315, 316,
D8/317, 319, 320, 321; 16/430, 431,
16/110.1, 114.1, 407, 416, 429, 443, 441;
220/377, 573.1–573.5, 752, 753, 755,
220/756, 760, 772, 773, 912; D3/318;
138/121, 145, 173

See application file for complete search history.

(56) **References Cited**

U.S. PATENT DOCUMENTS

293,752 A * 2/1884 Krahenbeihl et al. ... 16/DIG. 12
D129,927 S * 10/1941 Peat D8/317
D368,843 S * 4/1996 Chieda D8/317
D381,252 S * 7/1997 Chieda D8/317
D403,571 S * 1/1999 Burns et al. D8/317
D482,929 S * 12/2003 Rae D7/394
D503,070 S * 3/2005 Cheng D7/394
D562,106 S * 2/2008 Tor Verges D8/314

D571,184 S * 6/2008 Ricereto D8/316
D574,217 S * 8/2008 Jou D8/317
D610,400 S * 2/2010 Pantaleo D7/394
D630,052 S * 1/2011 Rae D7/394
D642,429 S * 8/2011 Rae D7/394
D643,681 S * 8/2011 Bodum D7/395
D658,435 S * 5/2012 Rae D7/394

* cited by examiner

Primary Examiner — Cynthia M Chin

(74) *Attorney, Agent, or Firm* — Edward S. Sherman

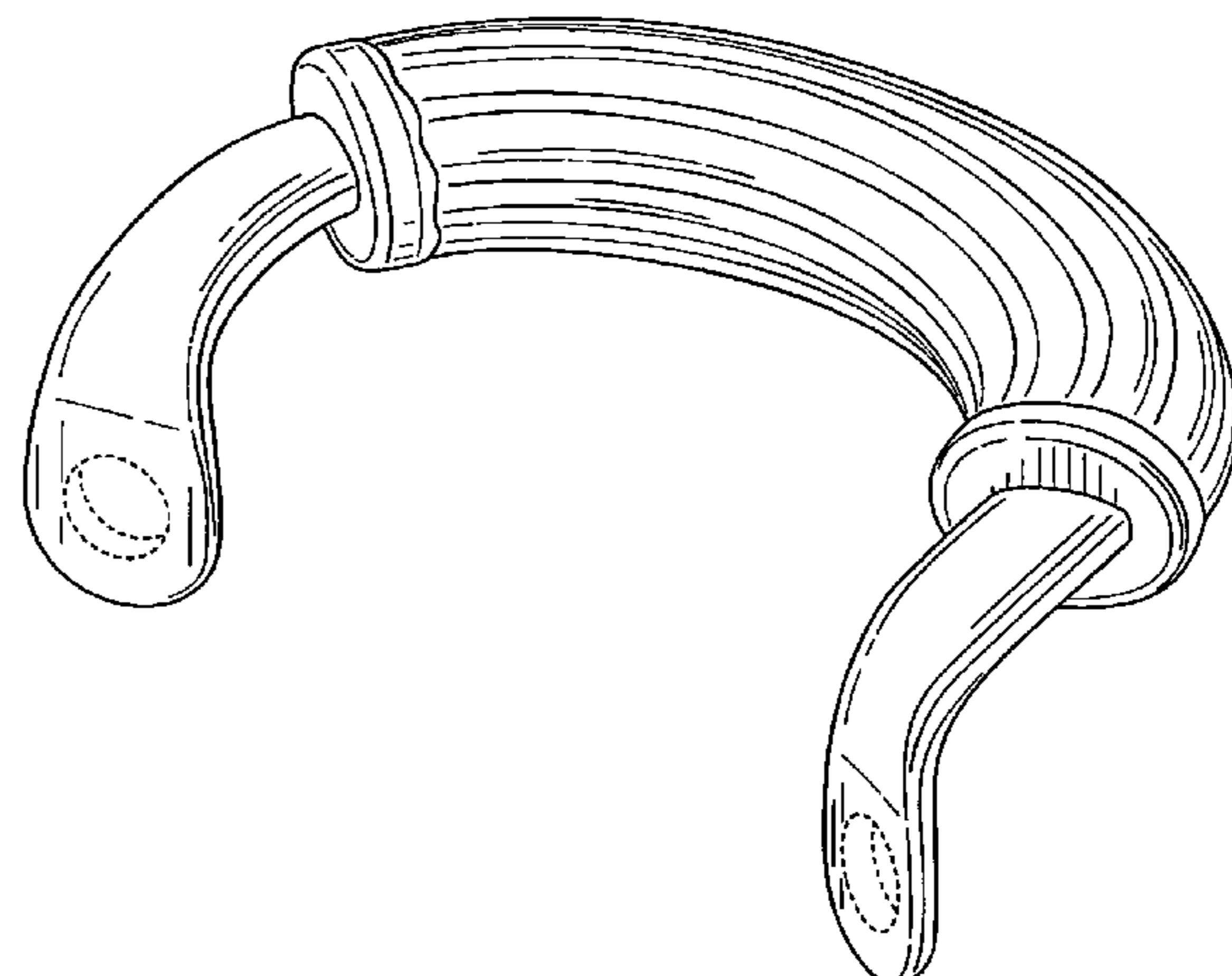
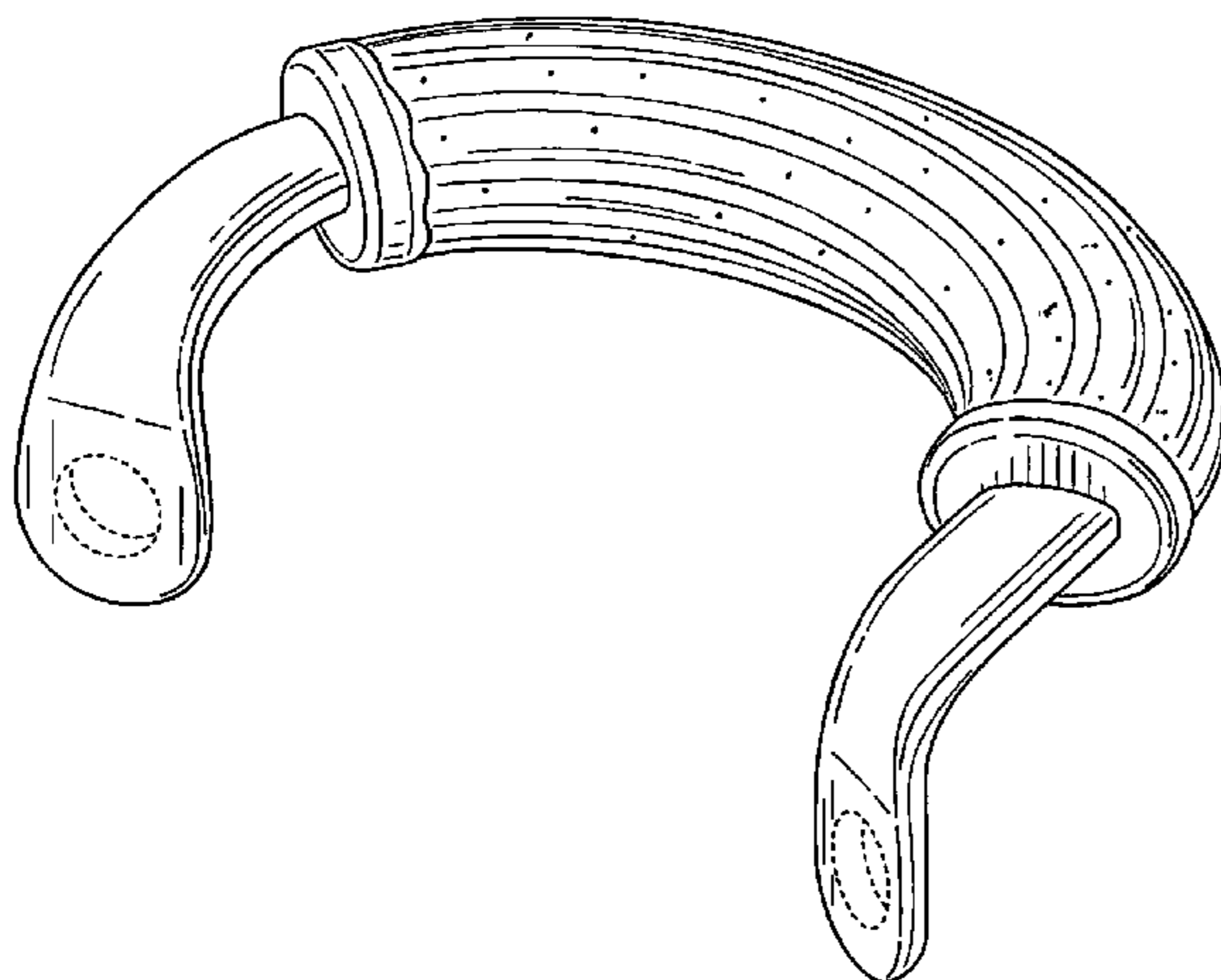
(57) **CLAIM**

The ornamental design for a side handle for cookware, as shown and described.

DESCRIPTION

FIG. 1 is a perspective view of a first embodiment of the side handle for cookware showing my new design; FIG. 2 is a right side elevation view thereof; the left side elevation view being the mirror image thereof; FIG. 3 is a top plan view thereof; FIG. 4 is a bottom plan view thereof; FIG. 5 is a front elevation view thereof; FIG. 6 is a rear elevation view thereof; FIG. 7 is a perspective view of a second embodiment of my new design; FIG. 8 is a right side elevation view thereof; the left side elevation view being the mirror image thereof; FIG. 9 is a top plan view thereof; FIG. 10 is a bottom plan view thereof; FIG. 11 is a front elevation view thereof; and, FIG. 12 is a rear elevation view thereof. The broken lines in FIGS. 1, 2, 5, 6, 7, 8, 11, and 12 are for illustrative purposes only, depicting the environment of the new design, forming no part thereof as claimed. Color is not part of the claimed design. The first embodiment has a region with a different surface appearance. The surface curvature in the second embodiment is the same as the first embodiment.

1 Claim, 8 Drawing Sheets



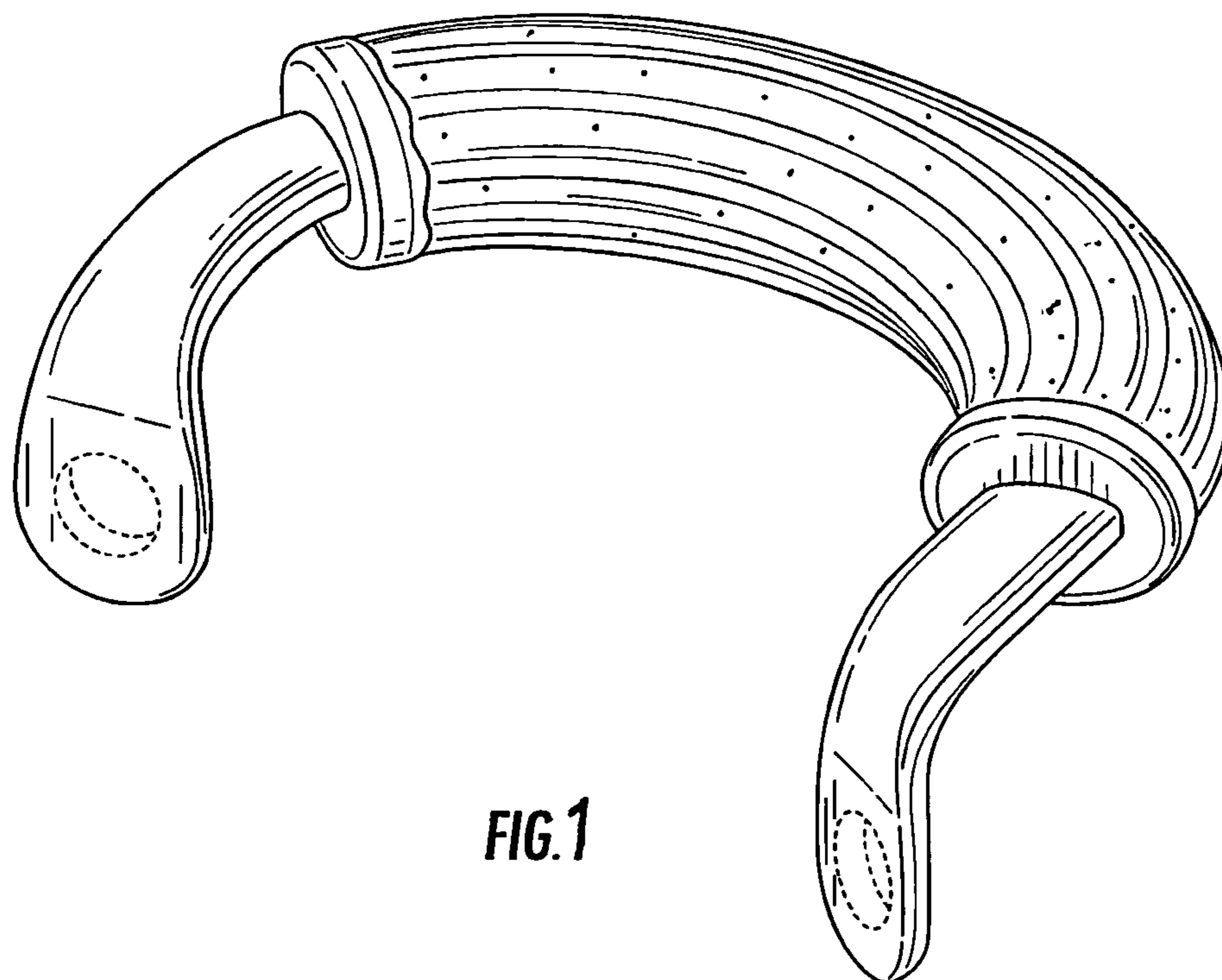


FIG. 1

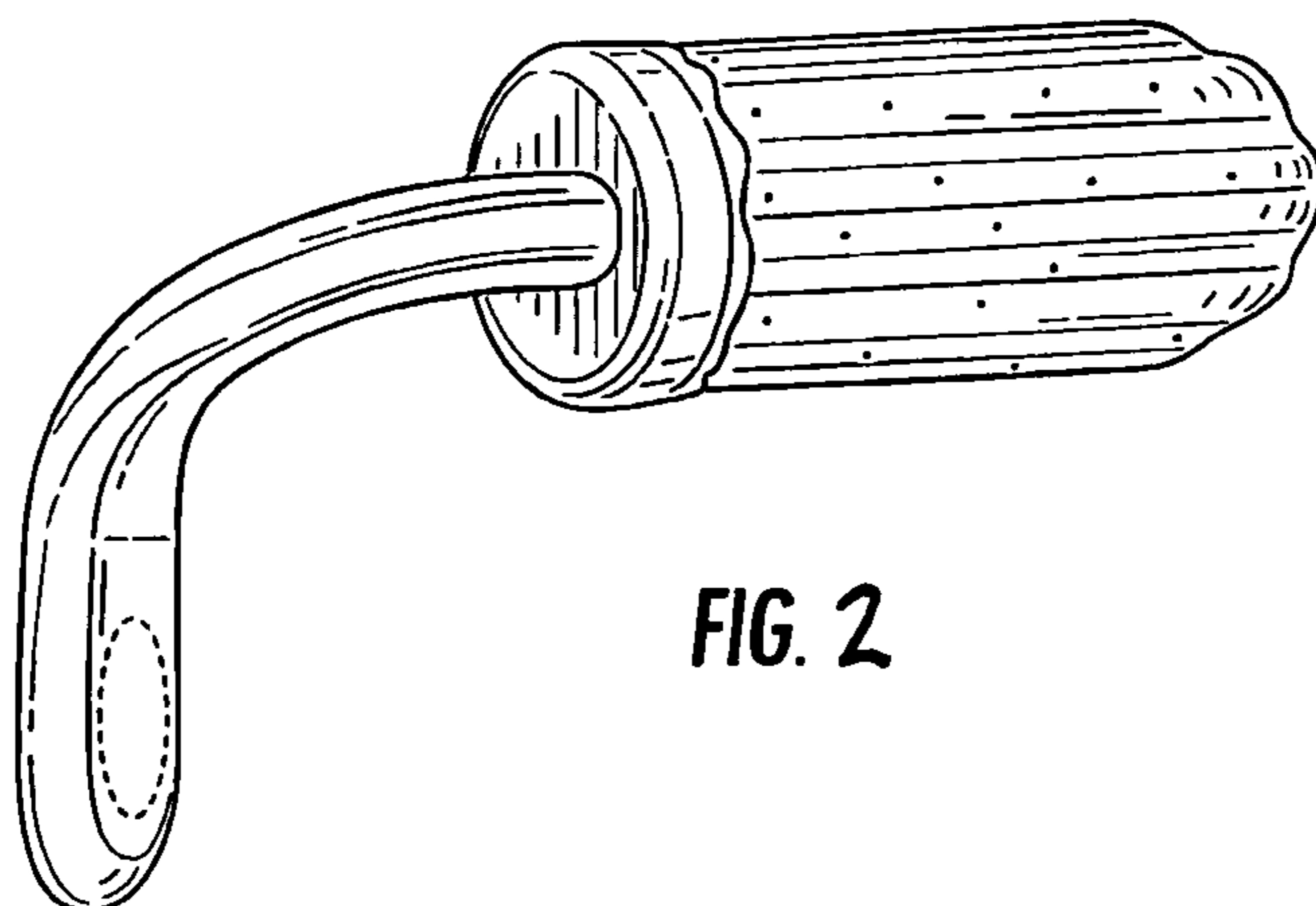


FIG. 2

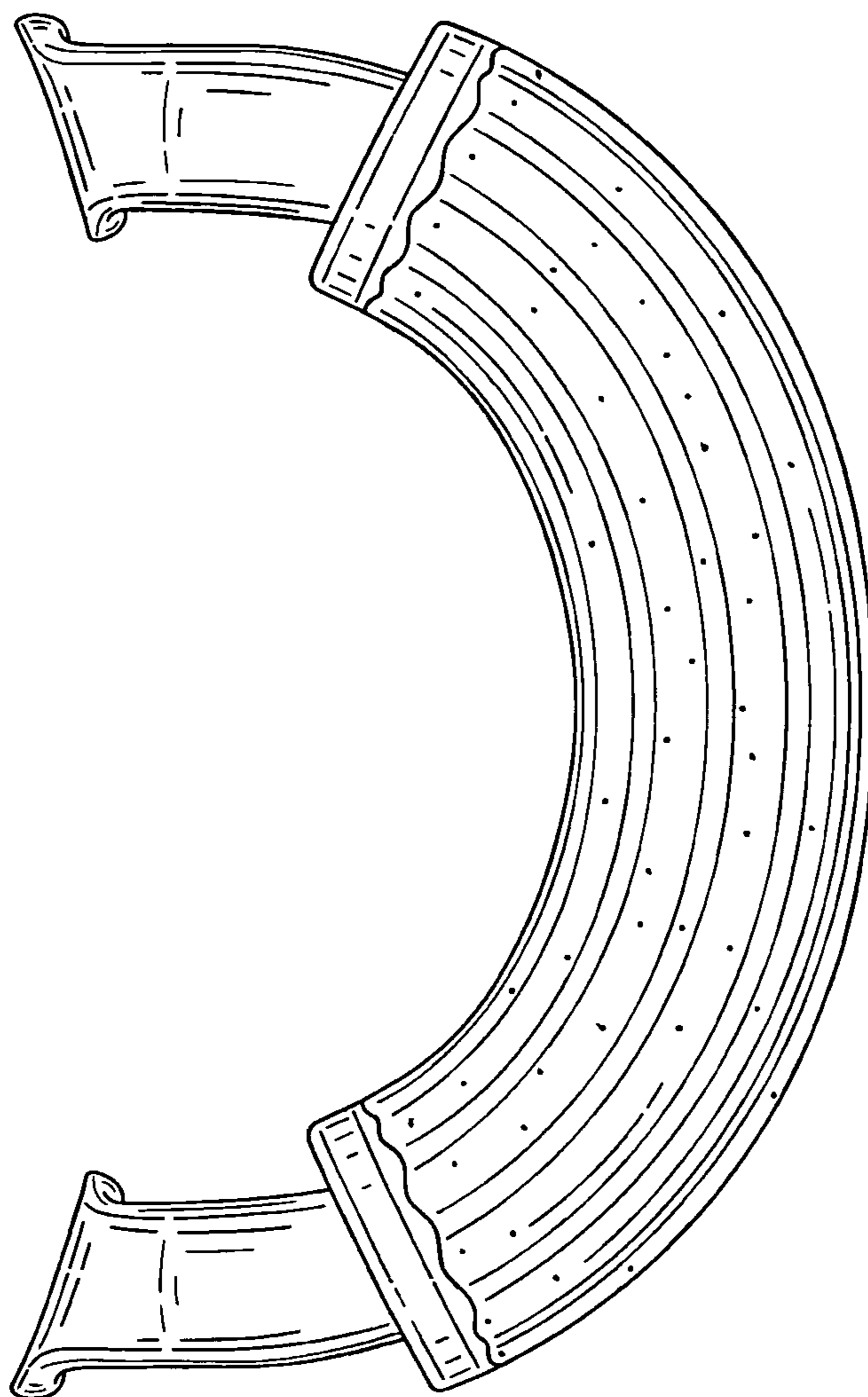


FIG. 3

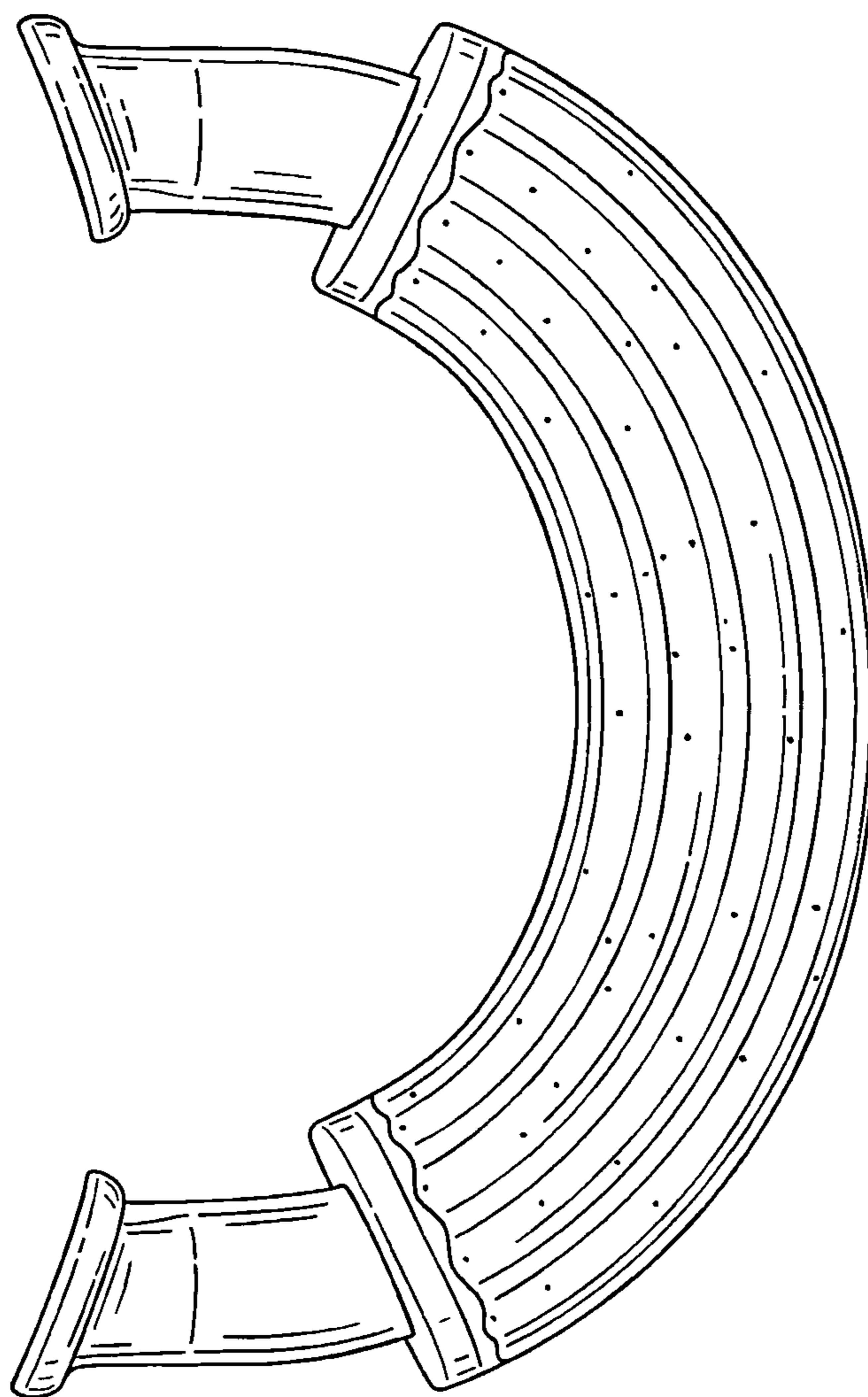


FIG. 4

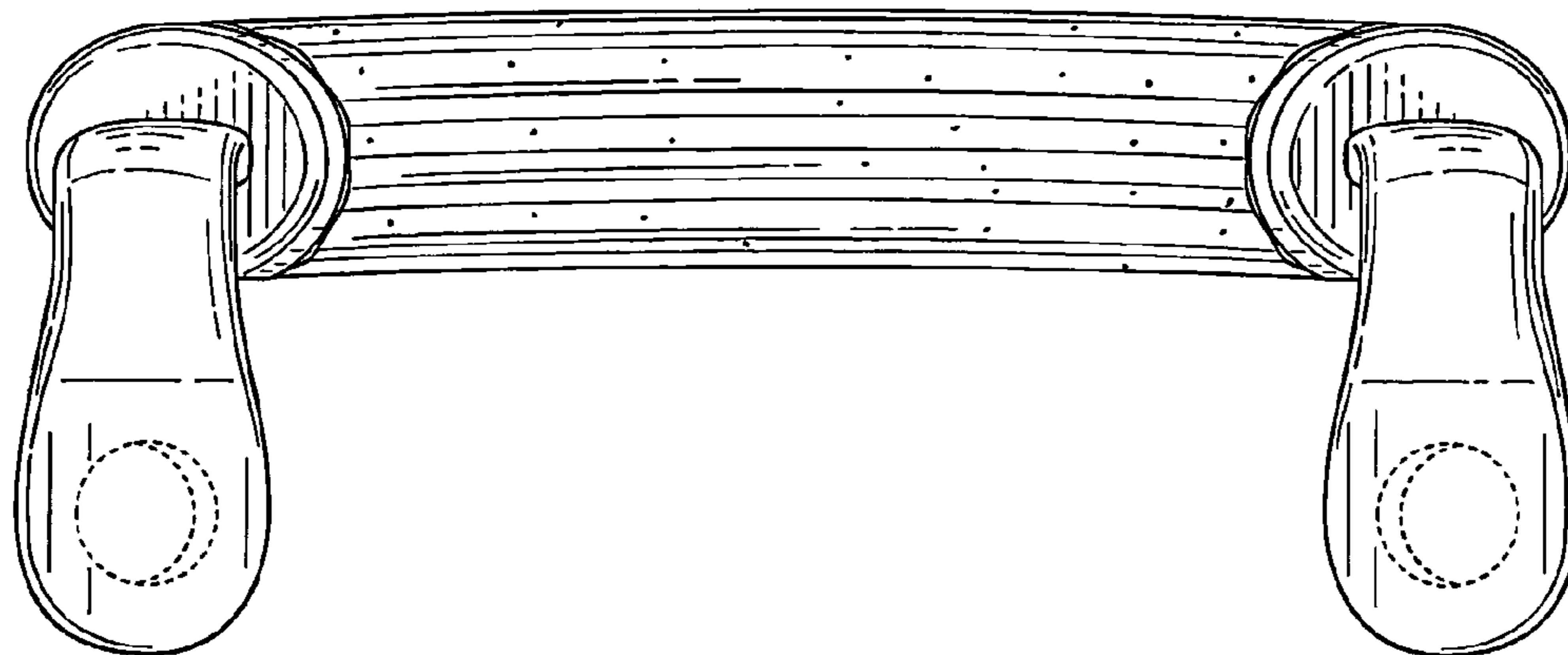


FIG. 5

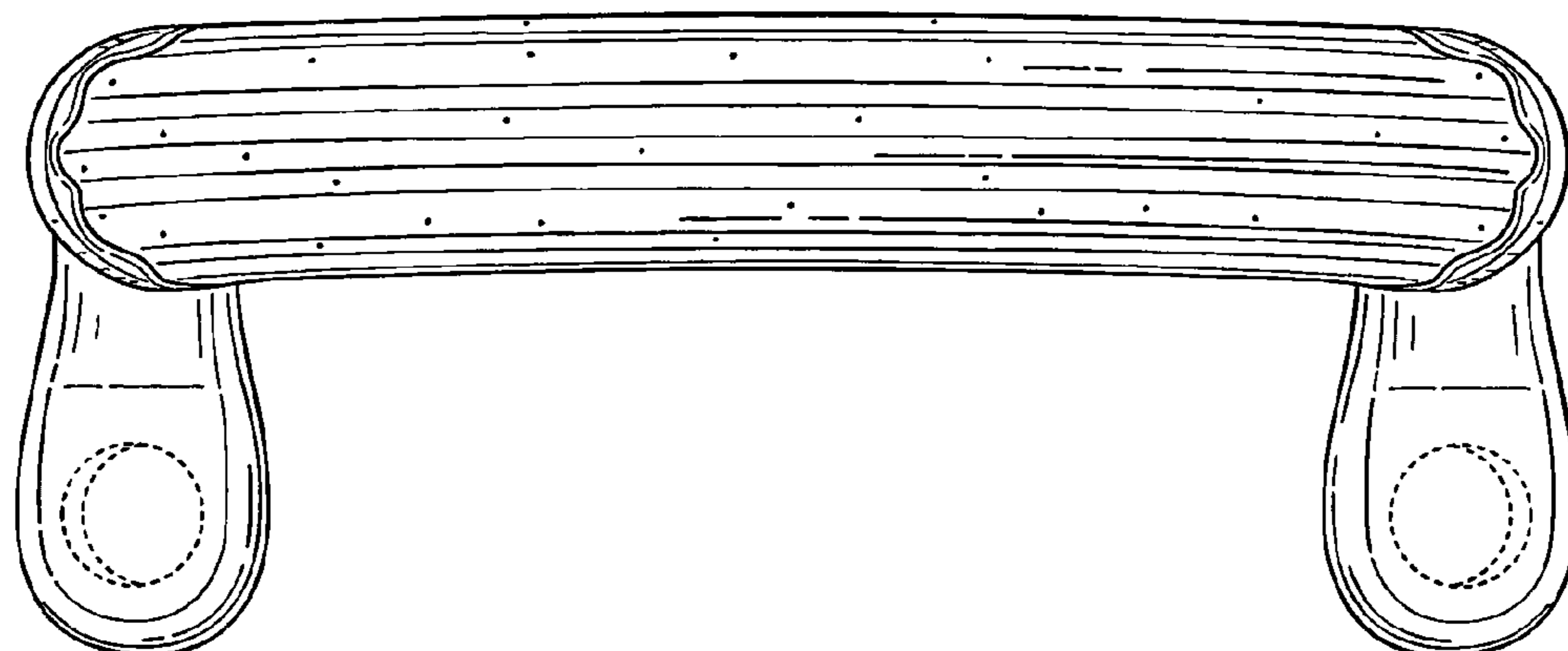


FIG. 6

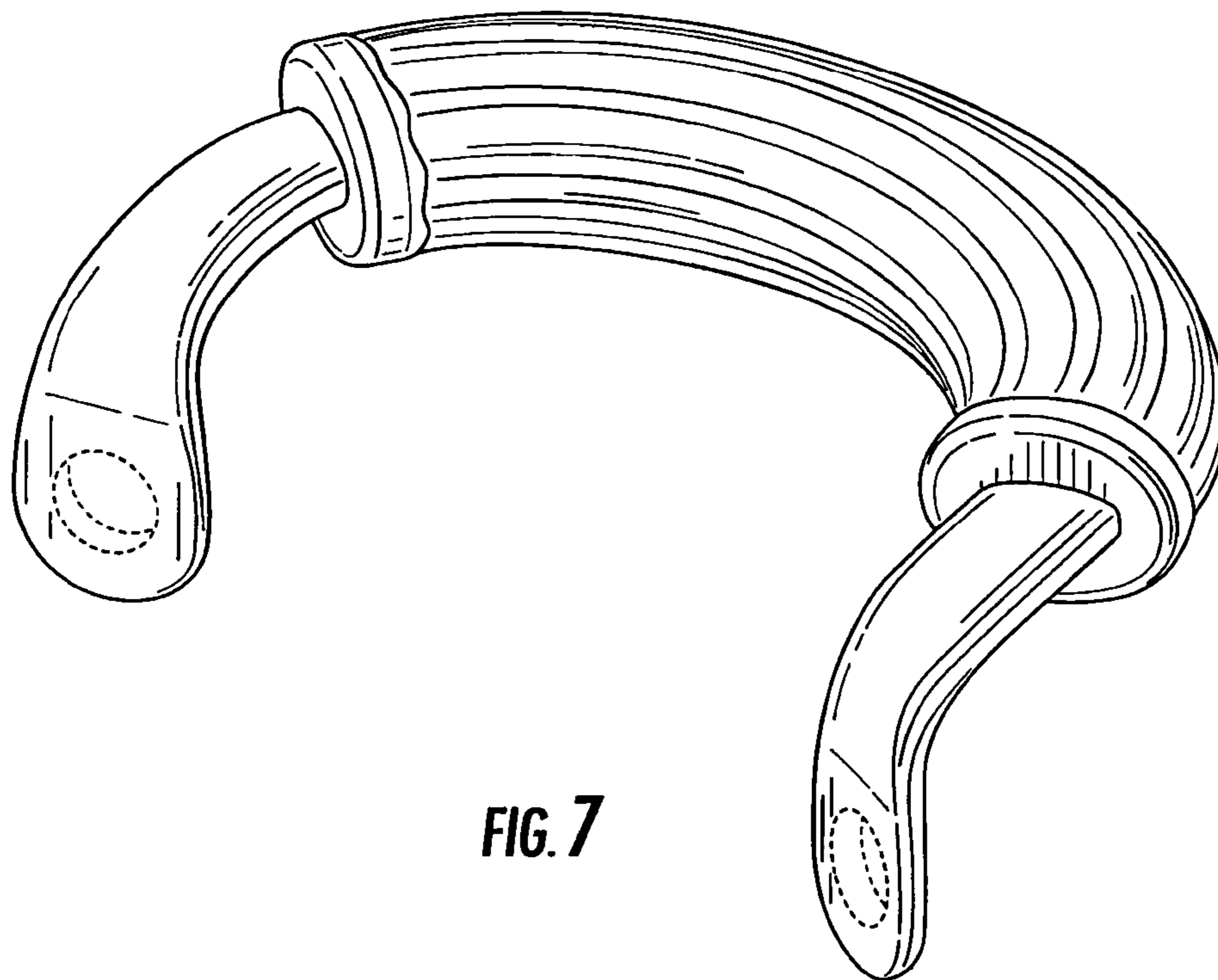


FIG. 7

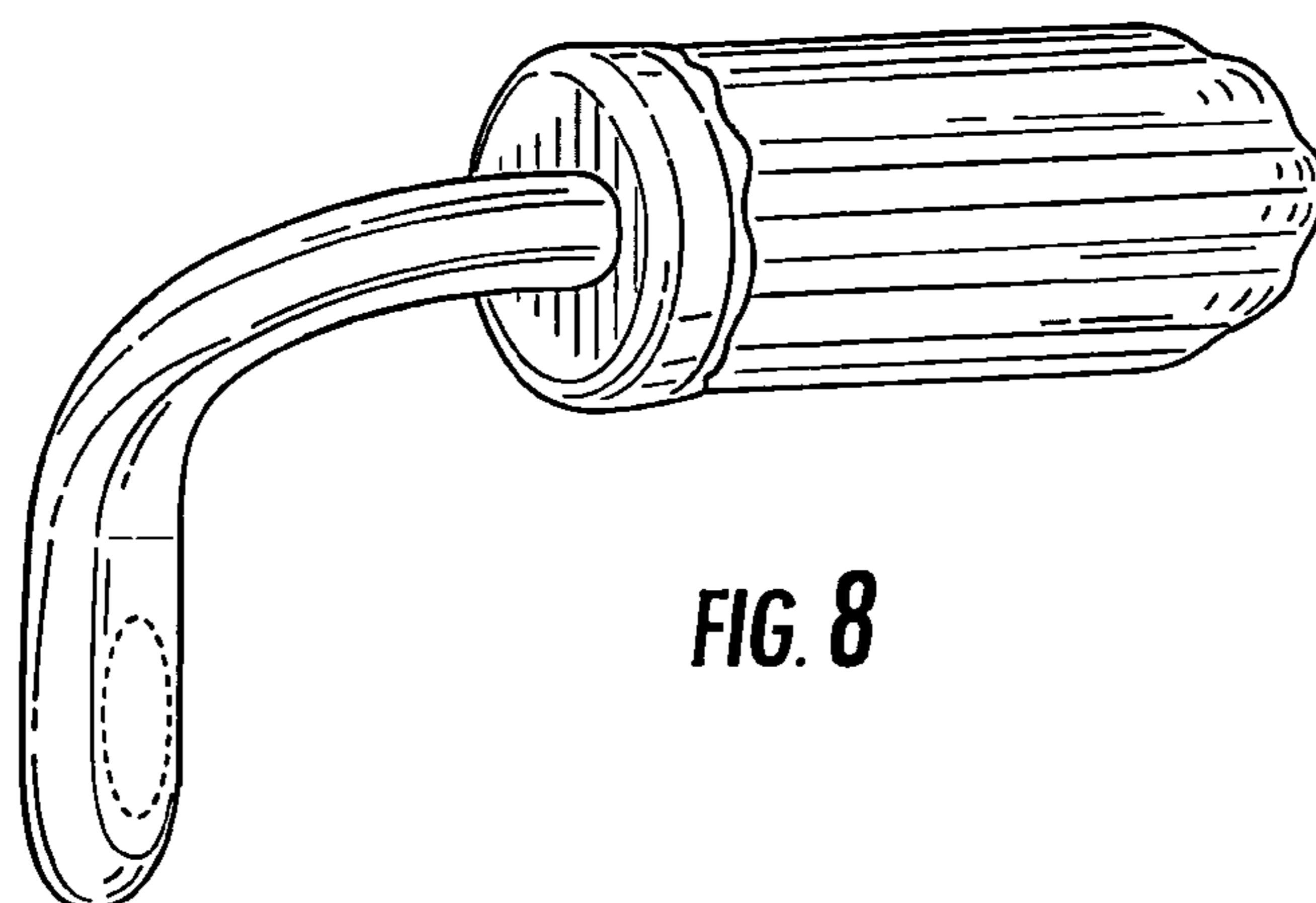


FIG. 8

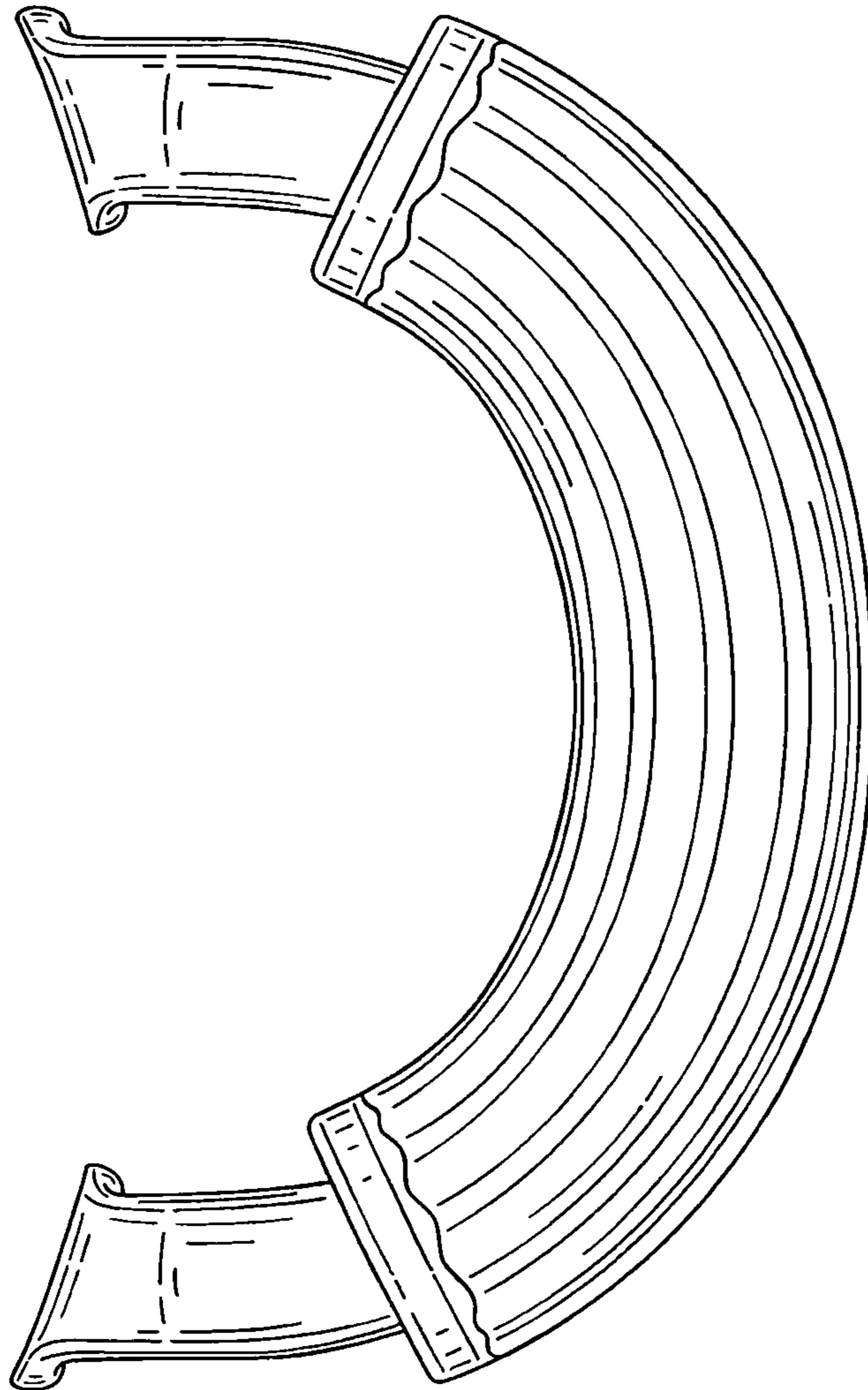


FIG. 9

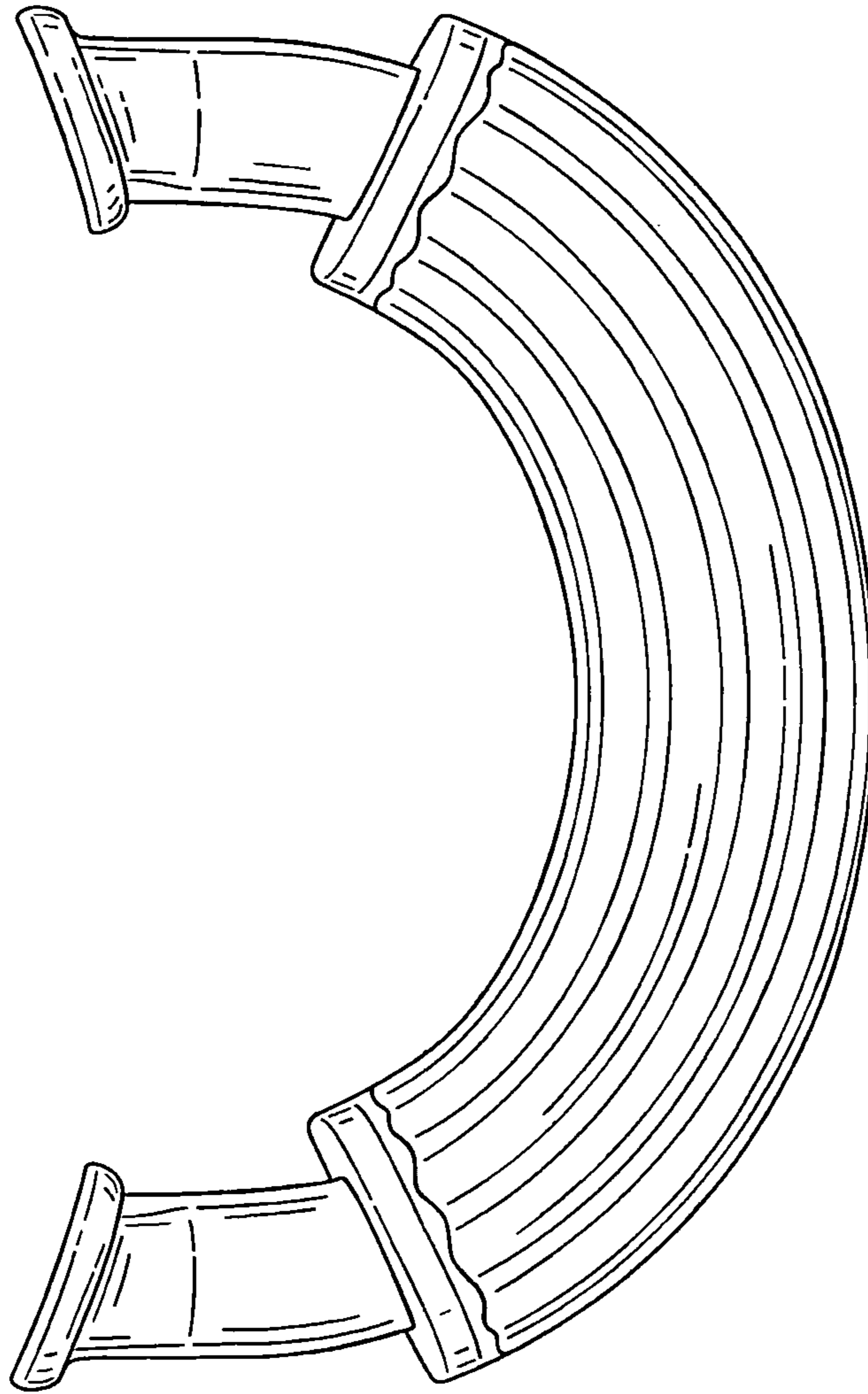


FIG. 10



FIG. 11

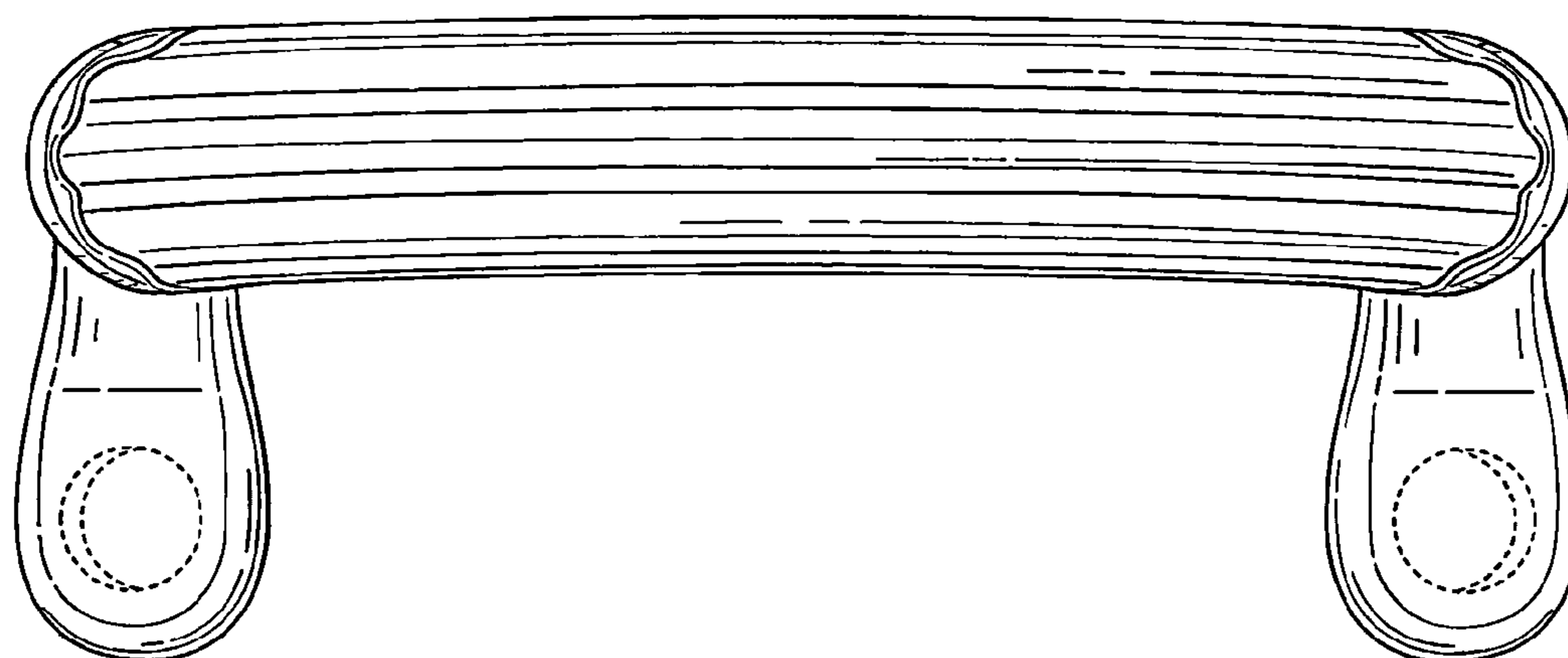


FIG. 12