



US00D713197S

(12) **United States Design Patent**
Seyers et al.

(10) **Patent No.:** **US D713,197 S**

(45) **Date of Patent:** **** Sep. 16, 2014**

(54) **MICROWAVE PRESSURE COOKER**

(56) **References Cited**

U.S. PATENT DOCUMENTS

(71) Applicant: **Dart Industries Inc.**, Orlando, FL (US)
(72) Inventors: **Lucille P. Seyers**, Ghent (BE); **Dimitri M. C. J. Backaert**, Moorsel (BA);
Ralph F. E. Eikelenberg, Gooik (BE);
Ledu Q. Nguyen, Orlando, FL (US);
Edward M. Poslinski, Orlando, FL (US)

2,622,187	A	12/1952	Welch	
4,024,982	A	5/1977	Schultz	
4,490,597	A	12/1984	Mengel	
4,796,776	A	1/1989	Dalquist et al.	
D329,570	S *	9/1992	Gerlach	D7/360
D332,549	S *	1/1993	Gerlach	D7/360
5,229,563	A	7/1993	Isogai et al.	
D341,058	S *	11/1993	Slany et al.	D7/360
D345,485	S *	3/1994	Leung	D7/360
D345,886	S *	4/1994	Gingeles	D7/360
5,310,981	A	5/1994	Sarnoff et al.	
D347,963	S *	6/1994	Pretzsch	D7/360
D370,827	S *	6/1996	Combe	D7/360
D418,007	S *	12/1999	Bouhey et al.	D7/358
D476,191	S *	6/2003	Josancy	D7/358

(73) Assignee: **Dart Industries Inc.**, Orlando, FL (US)

(**) Term: **14 Years**

(21) Appl. No.: **29/455,339**

(22) Filed: **May 20, 2013**

(51) **LOC (10) Cl.** **07-02**

(52) **U.S. Cl.**
USPC **D7/358; D7/354**

(58) **Field of Classification Search**
CPC A47J 27/00; A47J 27/004; A47J 27/08;
A47J 27/0802; A47J 27/0804; A47J 27/0811;
A47J 27/0813; A47J 27/0815; A47J 27/0817;
A47J 27/084; A47J 27/09; A47J 27/092;
A47J 36/025; A47J 36/06; A47J 37/12;
A47J 37/1204; A47J 37/1209; A47J 45/07;
A47J 45/071; A47J 45/074; A47J 45/08;
B01D 2201/345; B01J 3/03; B01J 3/04;
F01P 2011/0247; F01P 2011/0252; H05B
6/00; H05B 6/02; H05B 6/06
USPC D7/354-361, 391, 393; 99/336-339,
99/403, 425-426, 467; 126/348, 384.1,
126/390.1; 219/401, 440-441, 620-622;
220/203.01, 203.07, 303, 573.1-573.5,
220/752-753, 755-759, 912

See application file for complete search history.

(Continued)

Primary Examiner — Ricky Pham

(74) *Attorney, Agent, or Firm* — Taylor J. Ross

(57) **CLAIM**

The ornamental design for a microwave pressure cooker, as shown and described.

DESCRIPTION

This application is related to co-pending Ser. No. 13/898,187, filed on May 20, 2013, the contents of which are included herein by reference.

FIG. 1 is a top, front and right side perspective view showing our new design;

FIG. 2 is a top, rear and left side perspective view thereof;

FIG. 3 is a top plan view thereof;

FIG. 4 is a bottom plan view thereof;

FIG. 5 is a front elevation view thereof;

FIG. 6 is a rear elevation view thereof;

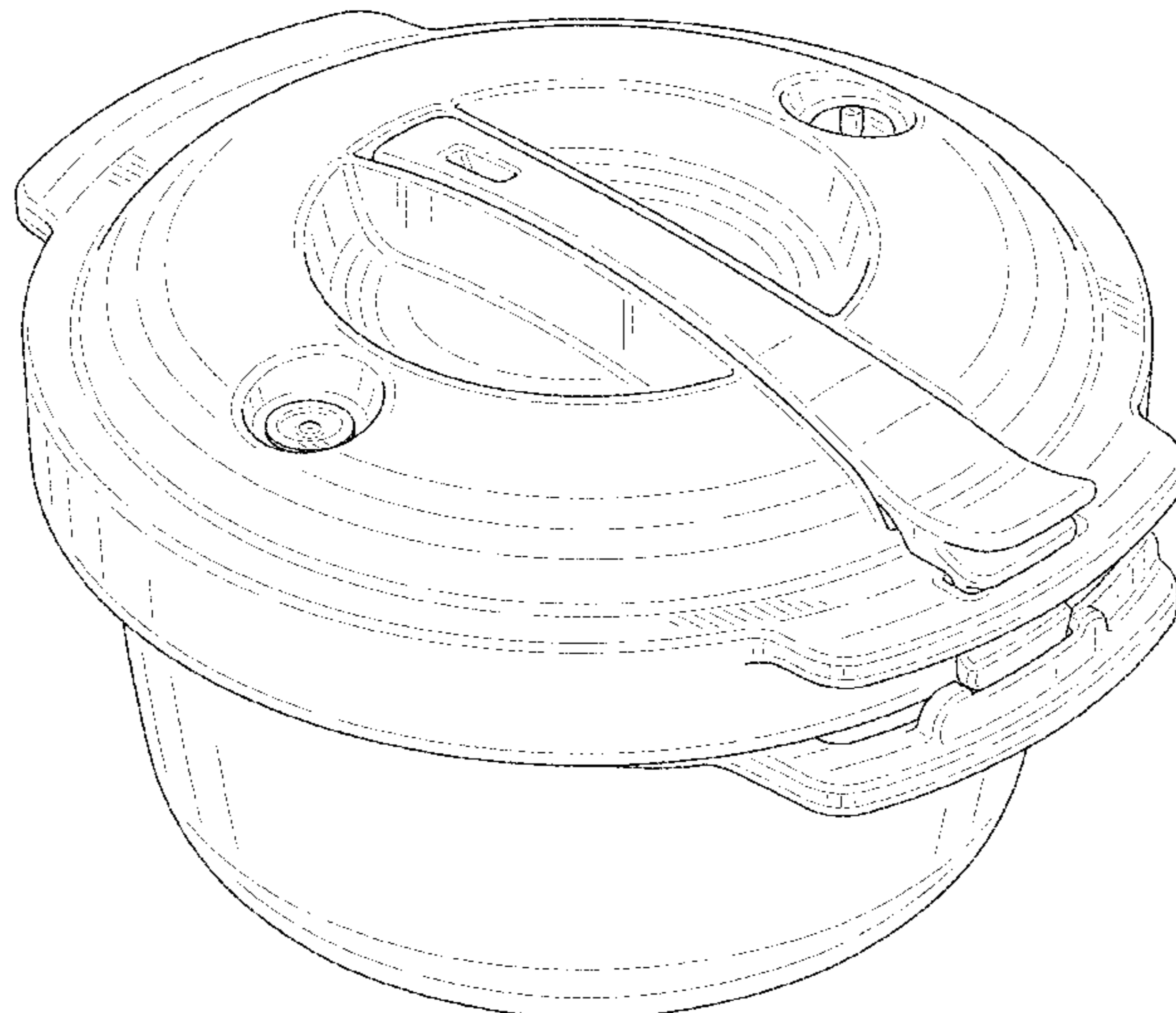
FIG. 7 is a right side elevation view thereof;

FIG. 8 is a left side elevation view thereof;

FIG. 9 is a cross-sectional view along line 9-9 of FIG. 3; and,

FIG. 10 is a cross-sectional view along line 10-10 of FIG. 3.

1 Claim, 10 Drawing Sheets



US D713,197 S

Page 2

(56)

References Cited

U.S. PATENT DOCUMENTS

D530,564 S * 10/2006 Chiba D7/360
D532,250 S * 11/2006 Roussard D7/358

D641,203 S * 7/2011 Josancy D7/358
D641,204 S * 7/2011 Baumgartner et al. D7/360
8,247,751 B2 8/2012 Jagannathan

* cited by examiner

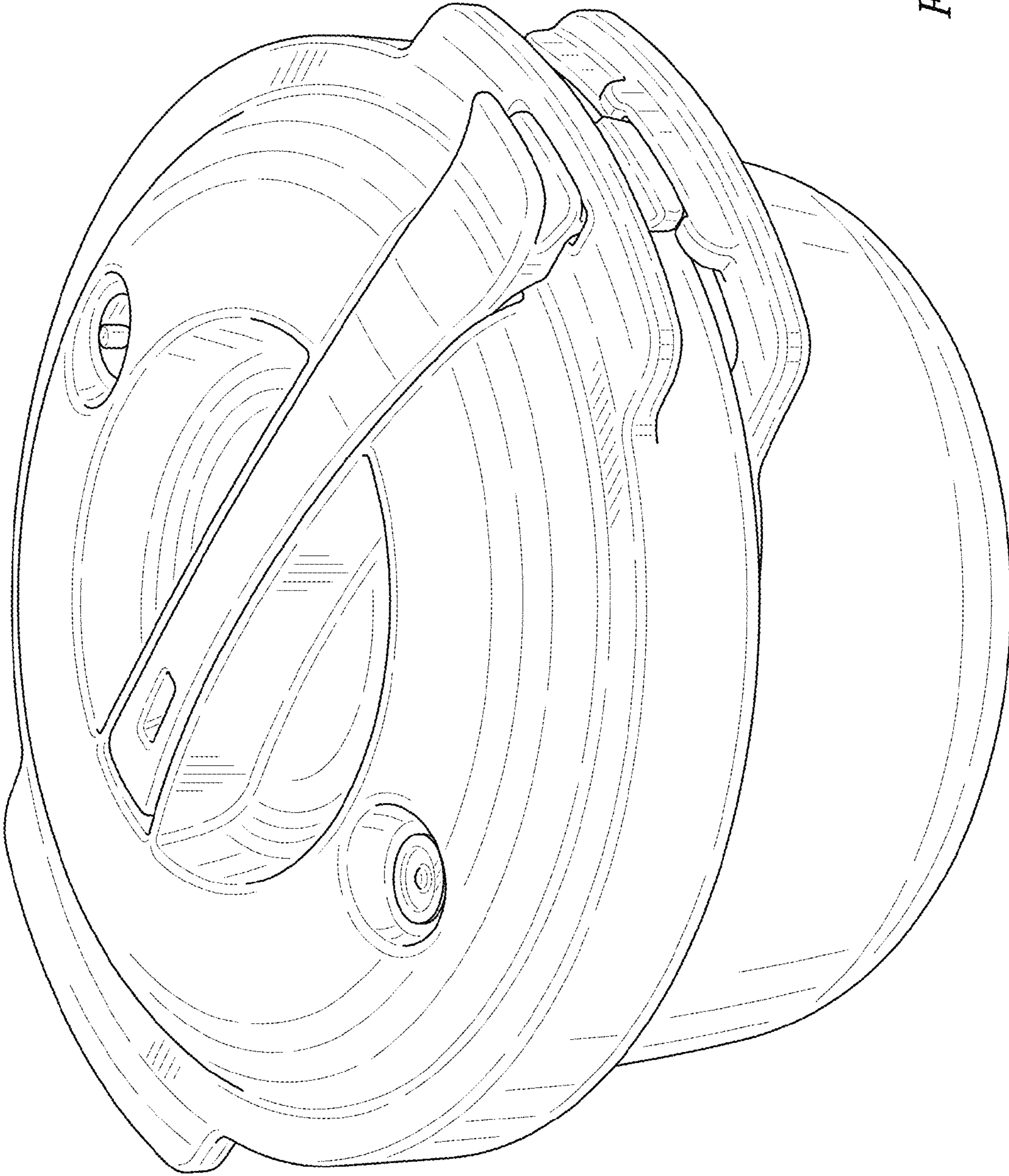


FIG. 1

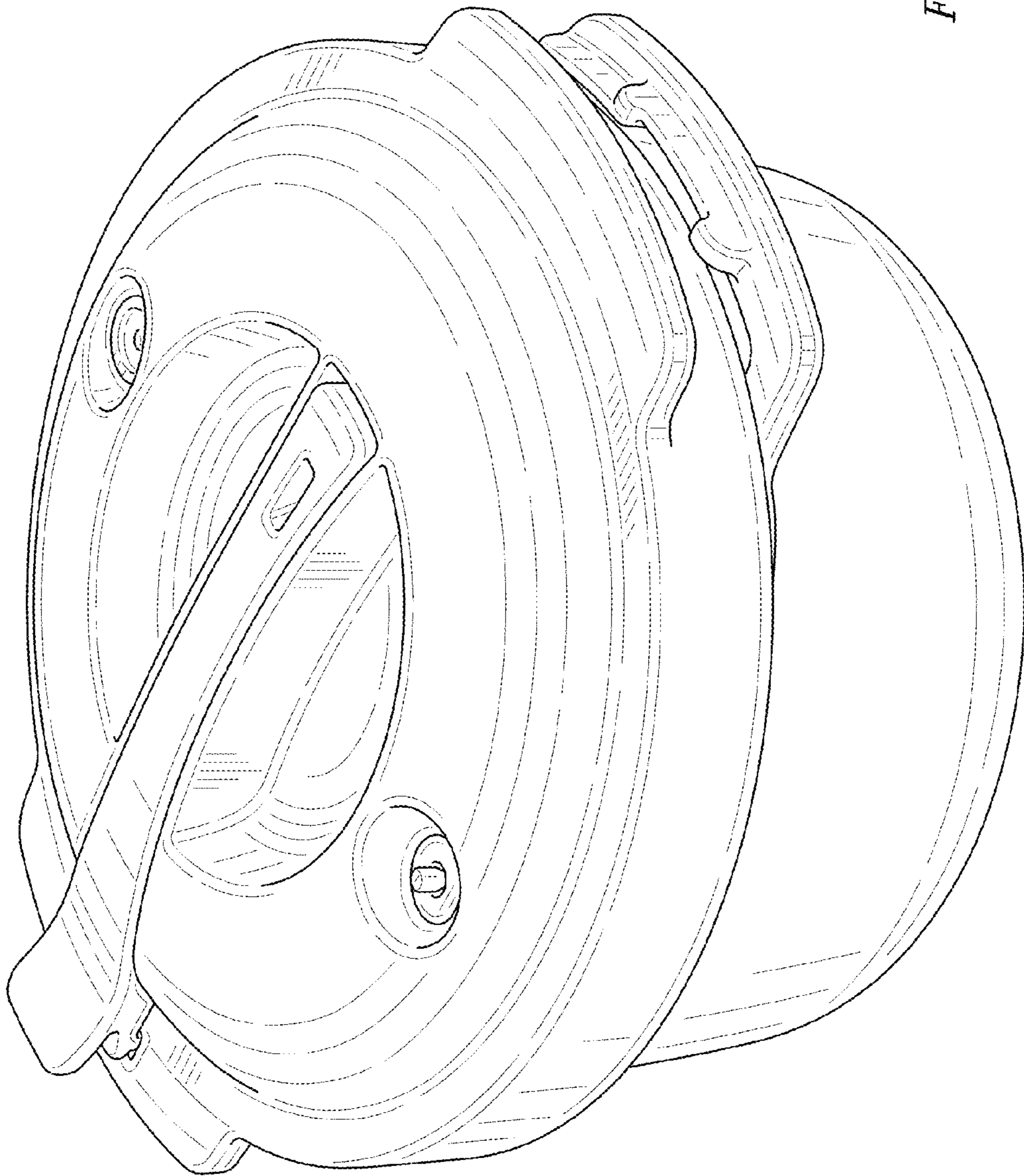


FIG. 2

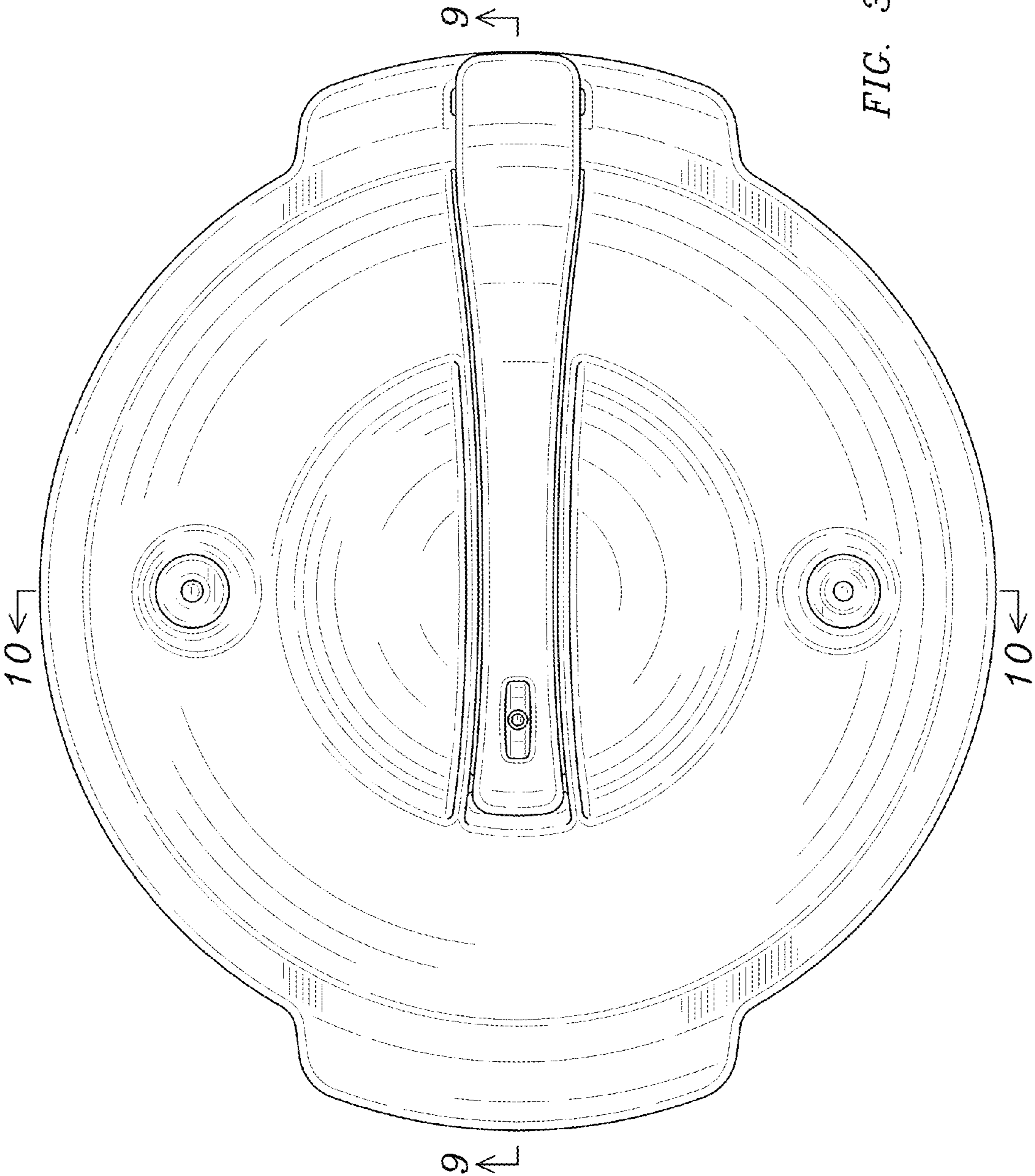


FIG. 3

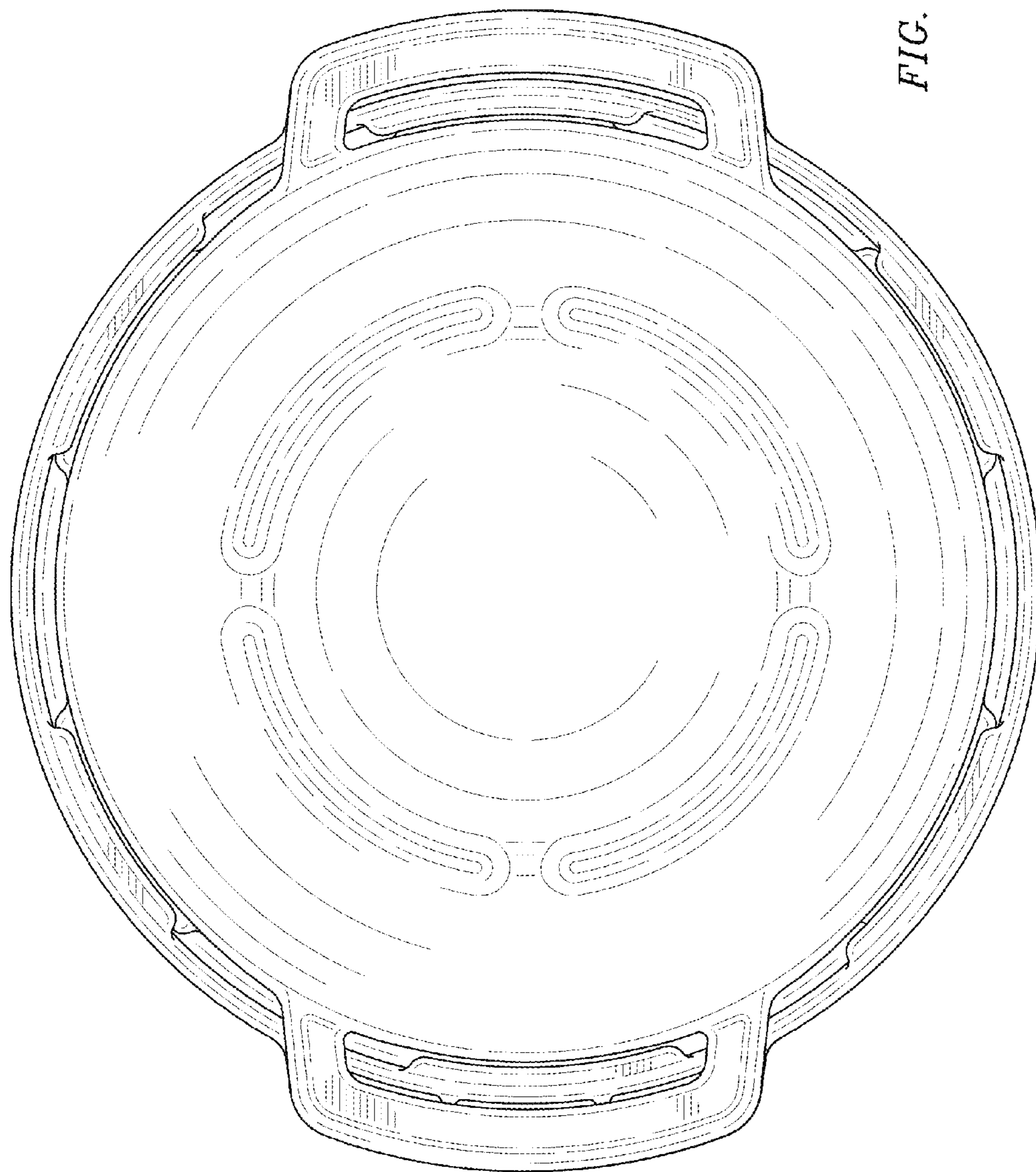


FIG. 4

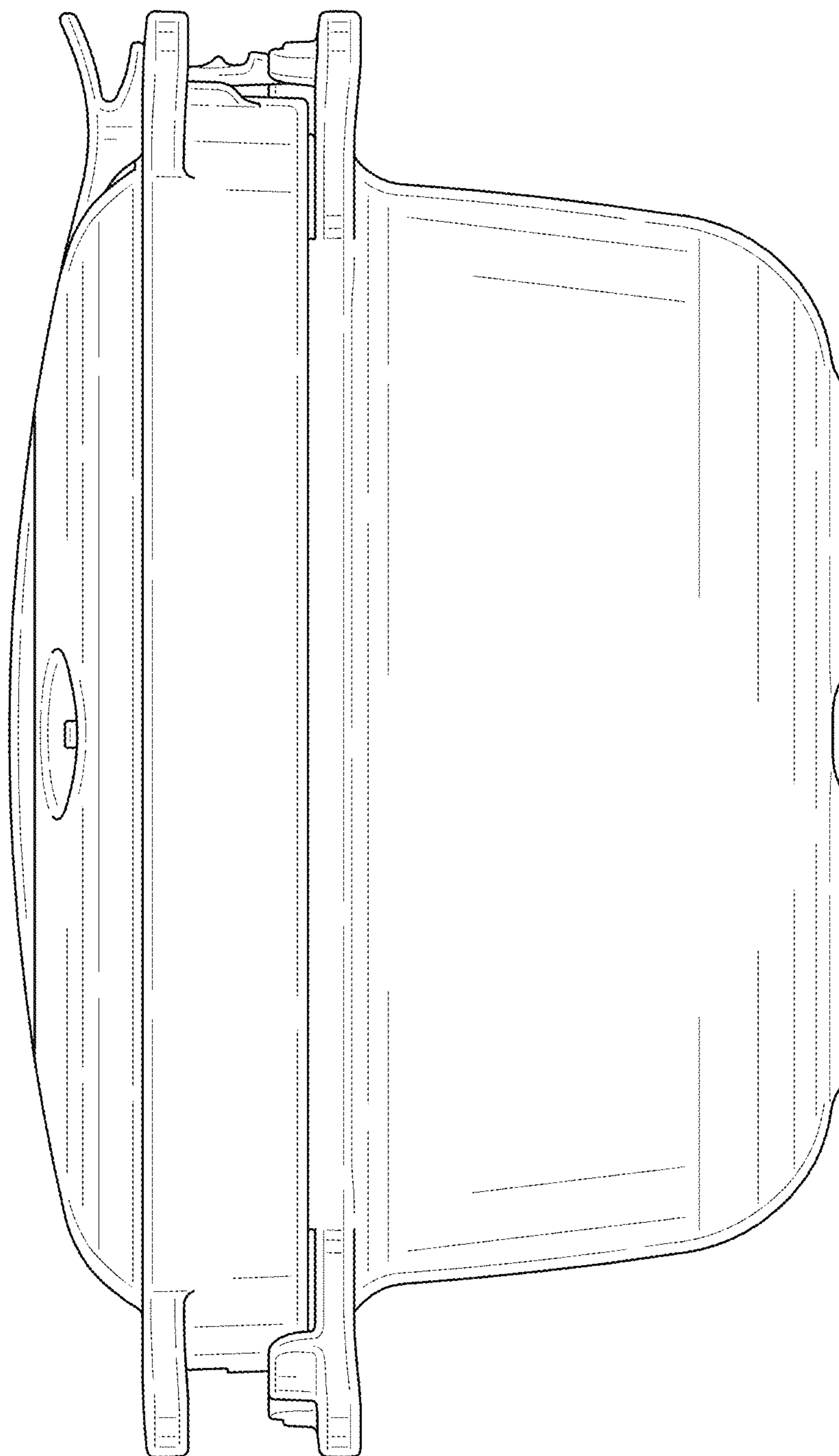


FIG. 5

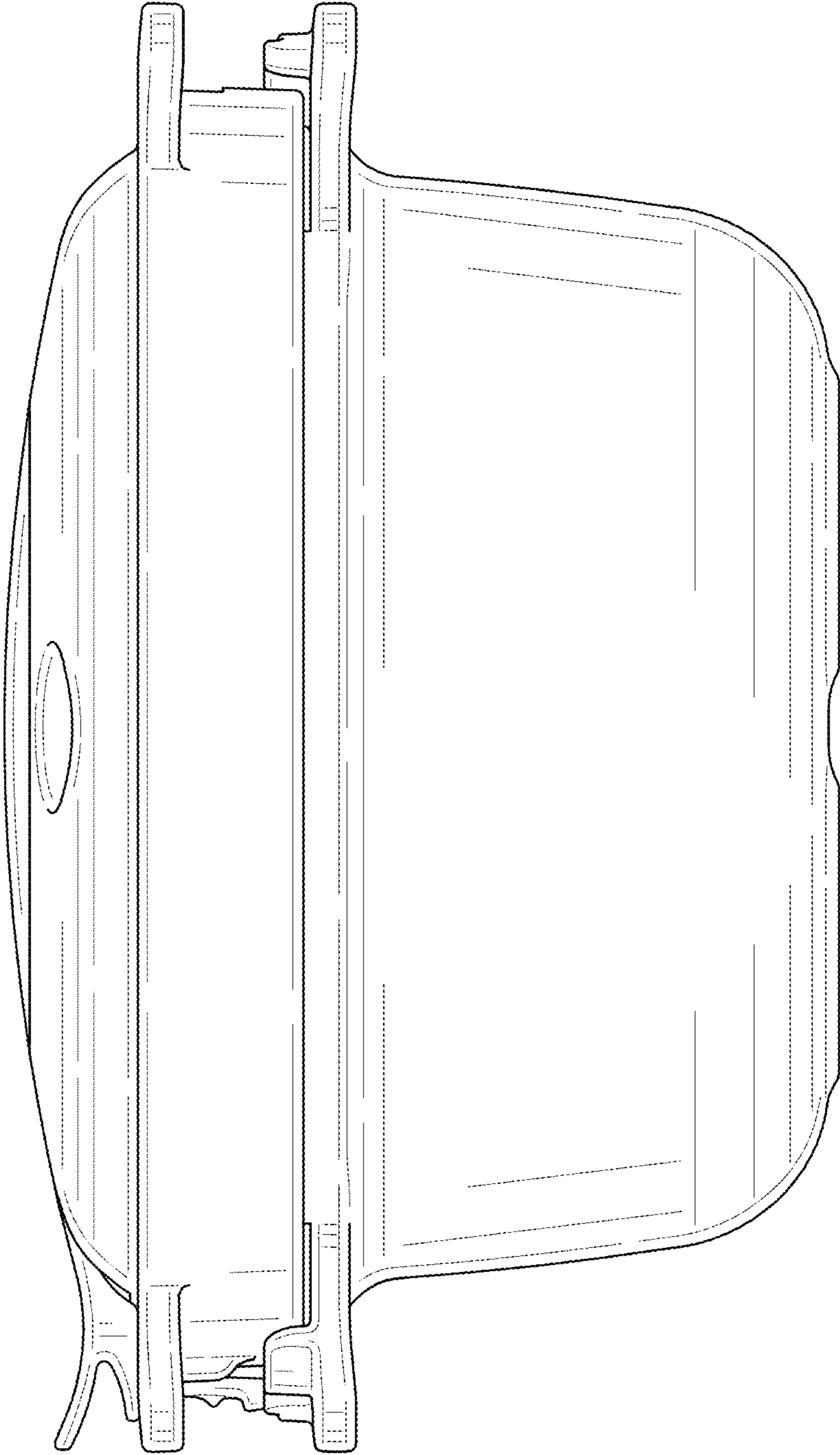


FIG. 6

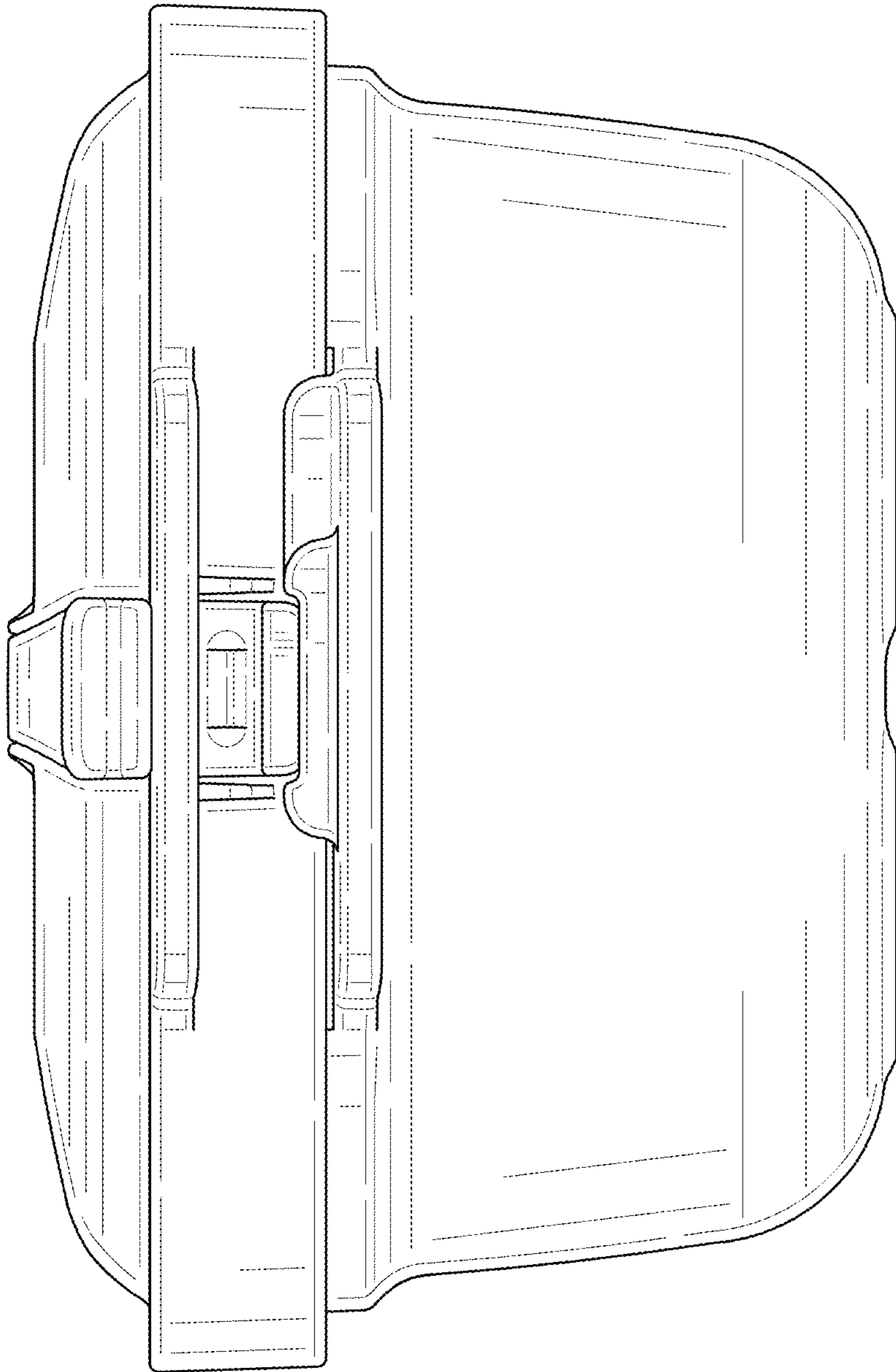


FIG. 7

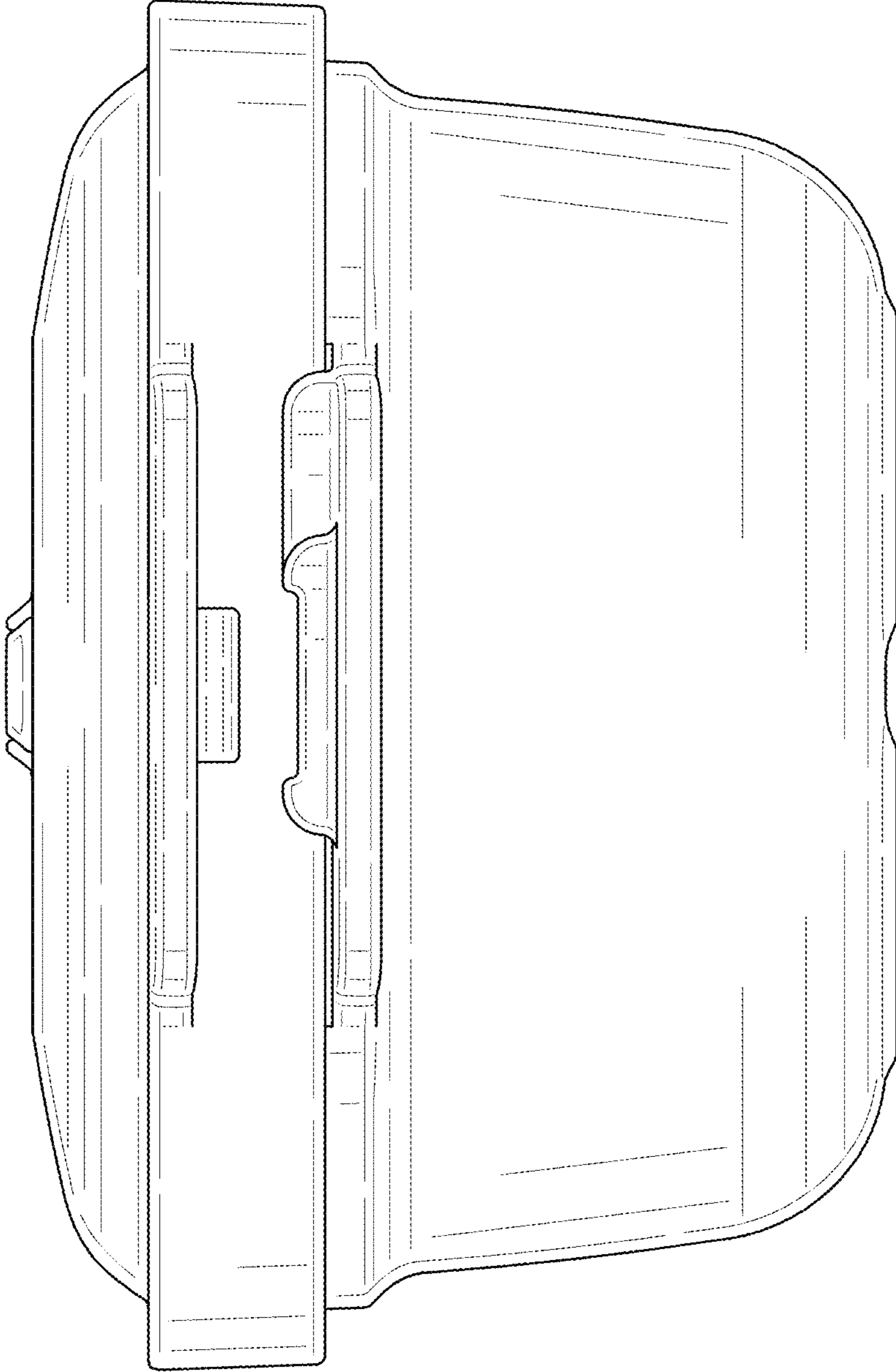


FIG. 8

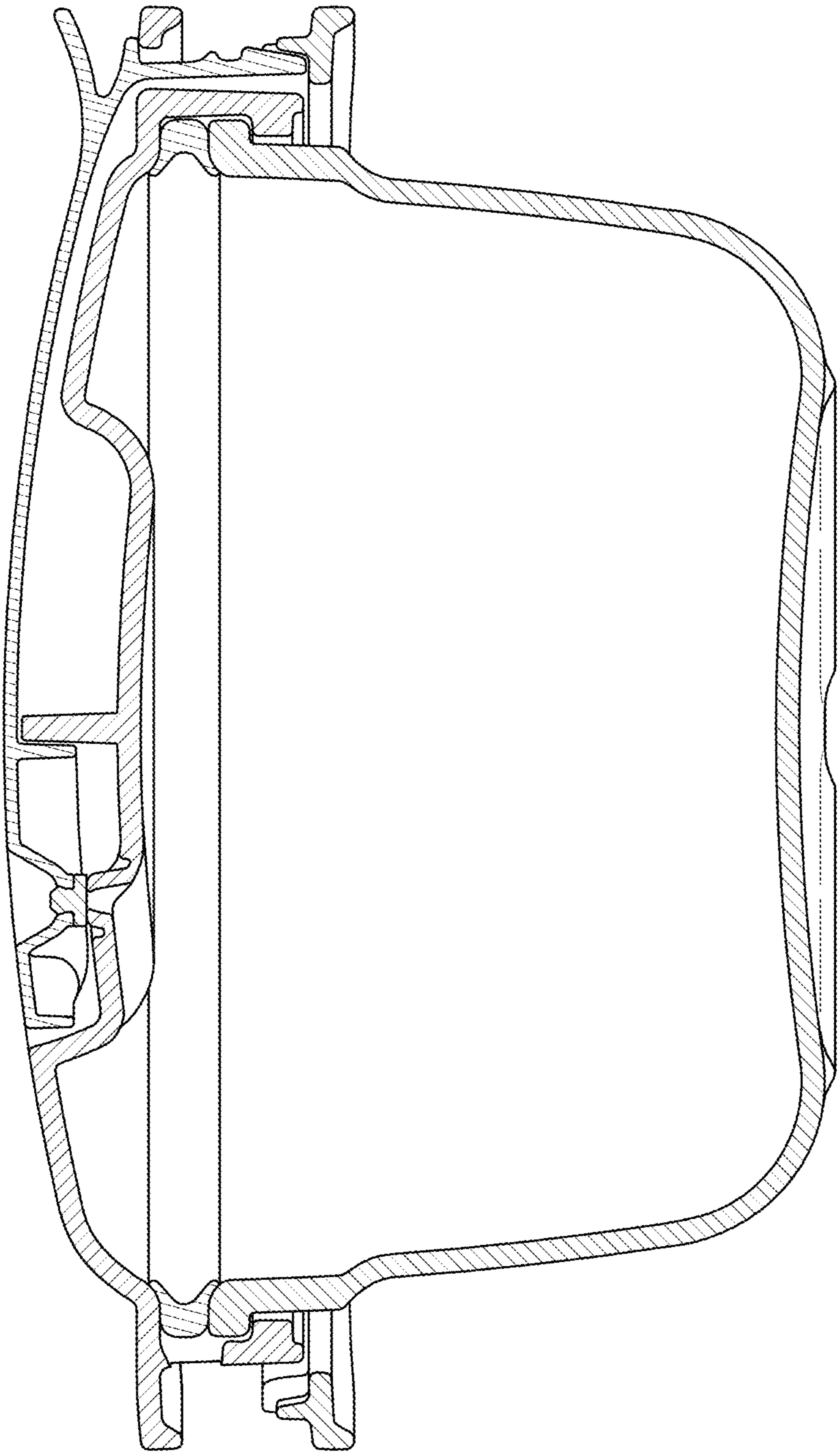


FIG. 9

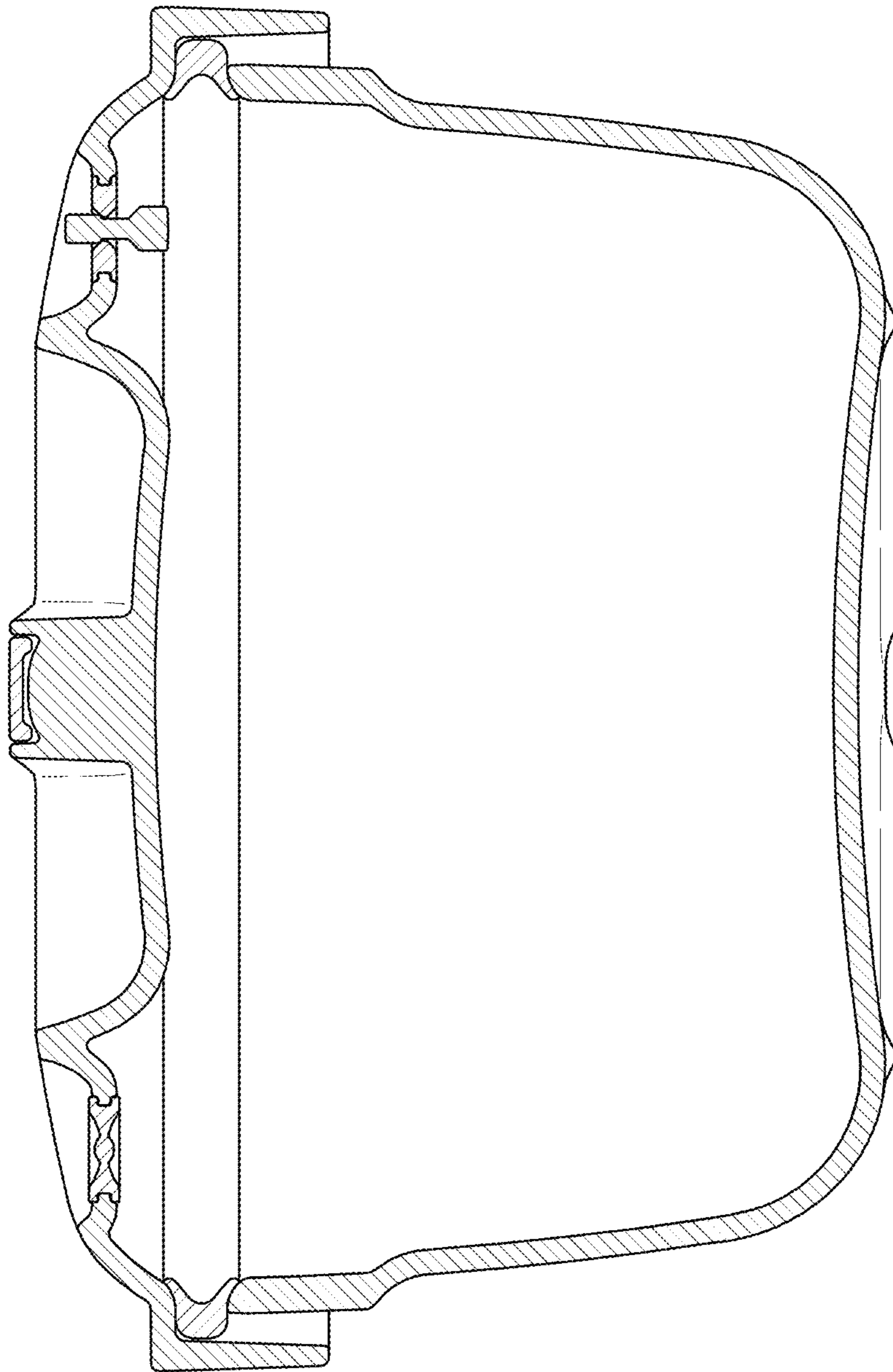


FIG. 10