



US00D713196S

(12) **United States Design Patent**
Sarnoff et al.

(10) **Patent No.:** **US D713,196 S**

(45) **Date of Patent:** **** Sep. 16, 2014**

(54) **NESTED PANS**

(71) Applicant: **Handi-Foil Corporation**, Wheeling, IL (US)

(72) Inventors: **Norton Sarnoff**, Northbrook, IL (US); **Brad Sarnoff**, Chicago, IL (US); **Raj Patel**, Lake Zurich, IL (US)

(73) Assignee: **Innovation First, Inc.**, Greenville, TX (US)

(**) Term: **14 Years**

(21) Appl. No.: **29/484,457**

(22) Filed: **Mar. 10, 2014**

Related U.S. Application Data

(62) Division of application No. 29/473,331, filed on Nov. 21, 2013, now Pat. No. Des. 707,077.

(51) **LOC (10) Cl.** **07-02**

(52) **U.S. Cl.**
USPC **D7/357; D7/354**

(58) **Field of Classification Search**

CPC A21B 3/00; A21B 3/13; A21B 3/15; A21B 3/131; A21B 3/134; A21B 5/00; A21B 5/02; A47J 36/022; A47J 36/025; A47J 36/027; A47J 37/00; A47J 37/04; B65D 1/22; B65D 1/24; B65D 1/34; B65D 1/36; B65D 5/48022; B65D 5/566; B65D 77/0433; B65D 81/343; B65D 85/36
USPC D3/304; D7/323, 354-361, 543, 545, D7/549, 550.1, 553.1-553.8, 554.1-554.4, D7/555, 584, 586, 688; D9/430-433, D9/455-456, 737, 756-762; 99/324, 422, 99/425-426, 432, DIG. 15; 219/450.1, 219/620-622, 725; 220/500, 506-507, 220/573.1-573.5, 574-575, 607-608, 220/752-753, 912; 229/120.17, 122.34, 229/903-904, 906

See application file for complete search history.

(56) **References Cited**

U.S. PATENT DOCUMENTS

2,391,767 A * 12/1945 Beerend 229/122.34
4,202,465 A * 5/1980 McLaren 229/120.17

(Continued)

Primary Examiner — Ricky Pham

(74) *Attorney, Agent, or Firm* — Adam K. Sacharoff; Much Shelist

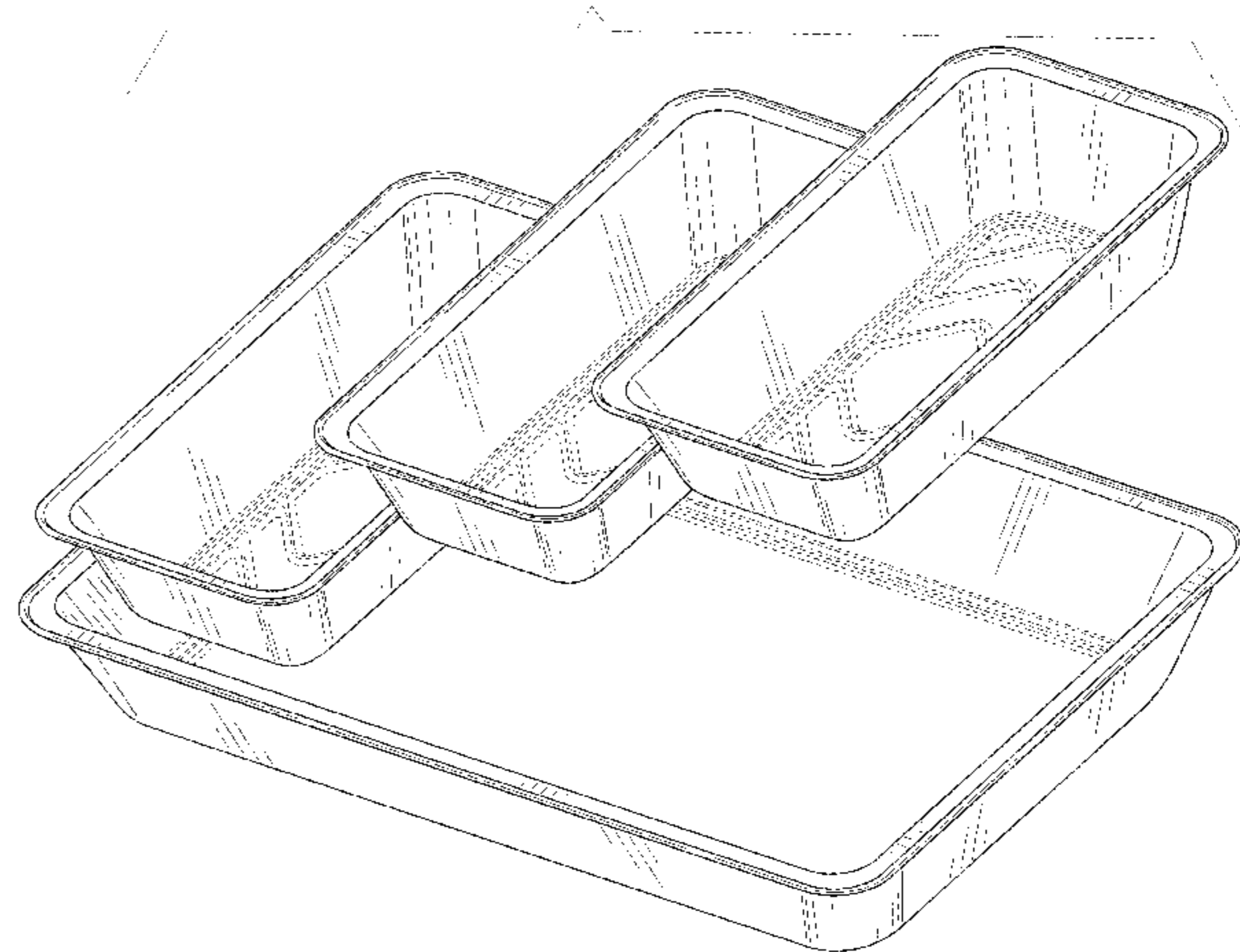
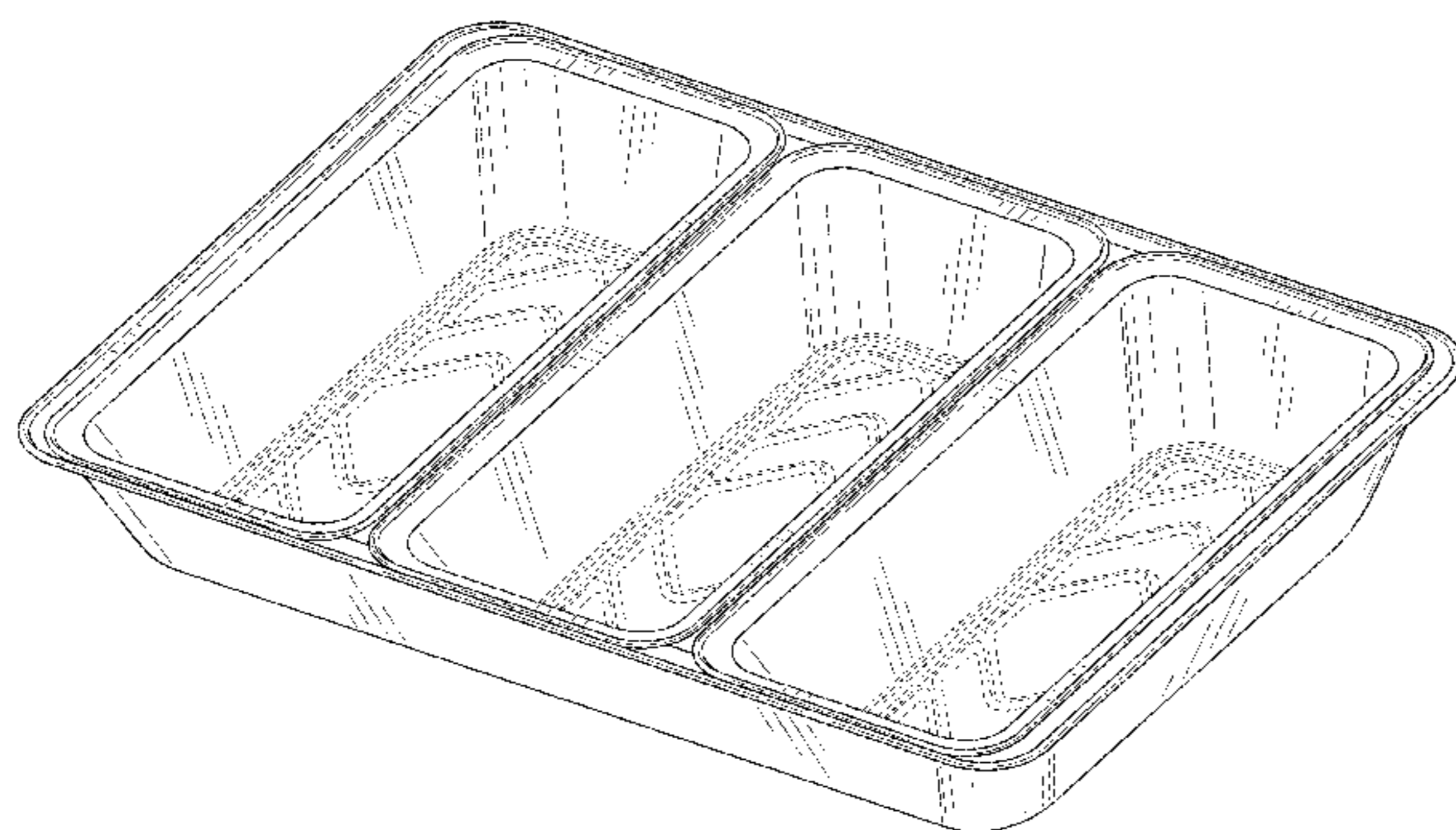
(57) **CLAIM**

The ornamental design for a nested pans, as shown and described.

DESCRIPTION

FIG. 1 is a top side perspective view of nested pans in accordance with one embodiment of the invention shown; FIG. 2 is a left side view of FIG. 1; FIG. 3 is a right side view of FIG. 1; FIG. 4 is a front side view of FIG. 1; FIG. 5 is a back side view of FIG. 1; FIG. 6 is a top side view of FIG. 1; FIG. 7 is a bottom side view of FIG. 1; FIG. 8 is a top side perspective view of the nested pans in accordance with another embodiment of the invention shown with the component pans expanded away from a bottom support pan; FIG. 9 is a left side view of FIG. 8; FIG. 10 is a right side view of FIG. 8; FIG. 11 is a front side view of FIG. 8; FIG. 12 is a back side view of FIG. 8; FIG. 13 is a top side view of FIG. 8; and, FIG. 14 is a bottom side view of FIG. 8. The broken lines showing are for the purpose of illustrating portions of the environmental structure and forms no part of the claimed design.

1 Claim, 12 Drawing Sheets



(56)

References Cited

U.S. PATENT DOCUMENTS

D466,758 S * 12/2002 Bradley D7/357
D492,195 S * 6/2004 Shabaz D9/737
D557,047 S * 12/2007 Dretzka D6/510
D568,111 S * 5/2008 Epstein D7/553.7

D581,720 S * 12/2008 Kellermann et al. D7/357
D590,596 S * 4/2009 Dretzka D3/304
D599,611 S * 9/2009 Hoekstra D7/357
D605,896 S * 12/2009 Zalewski et al. D7/553.1
D636,219 S * 4/2011 Cornu et al. D7/354
D688,572 S * 8/2013 Marin D9/761
D693,178 S * 11/2013 Wilson D7/553.2

* cited by examiner

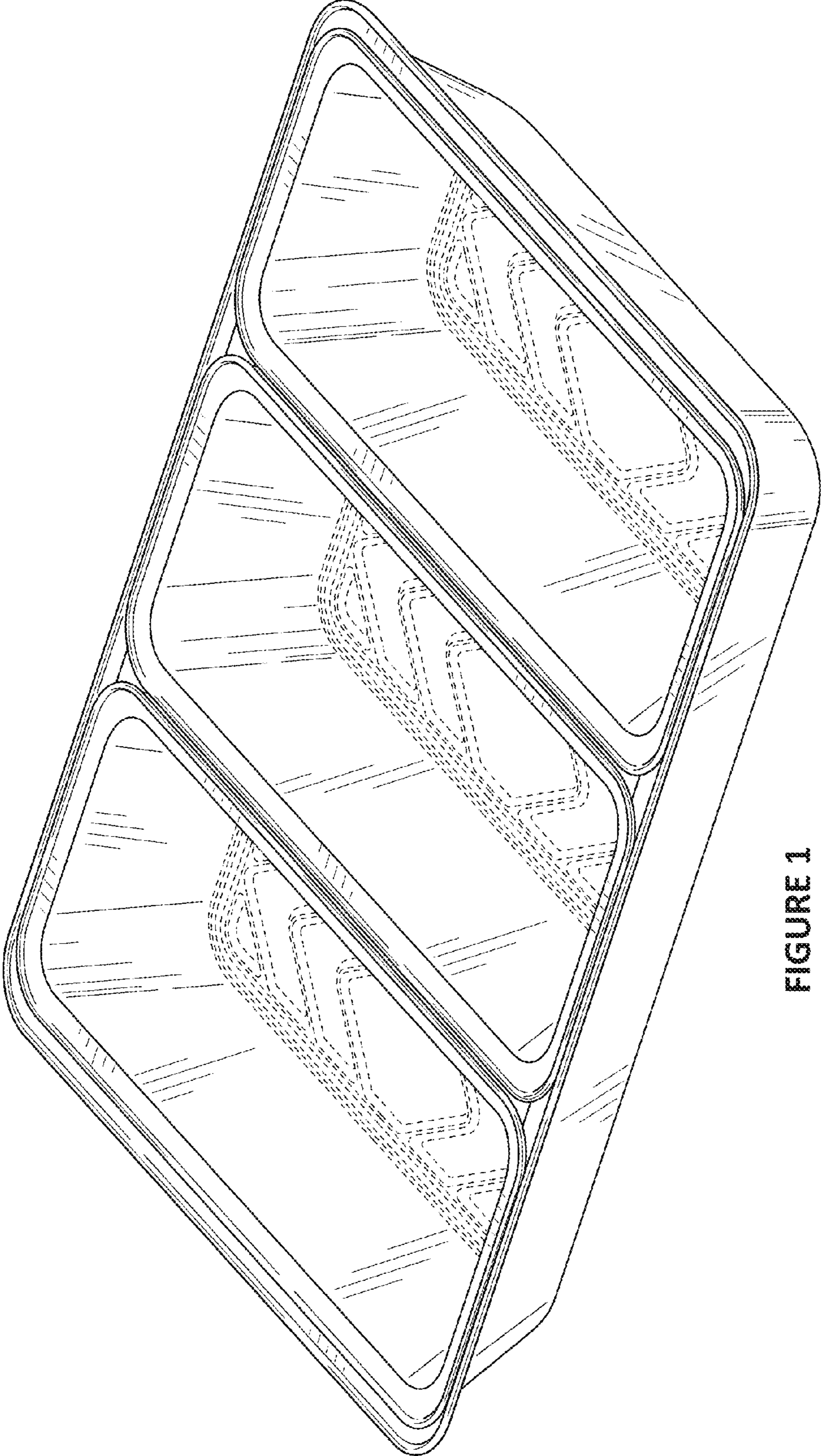


FIGURE 1

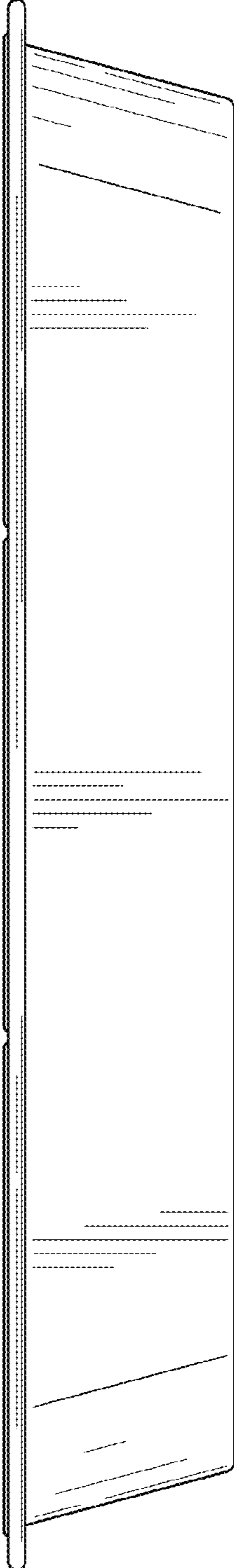


FIGURE 2

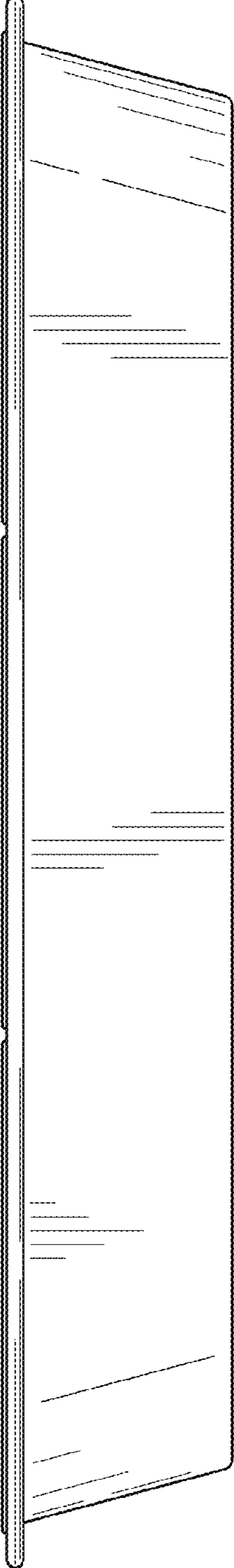


FIGURE 3

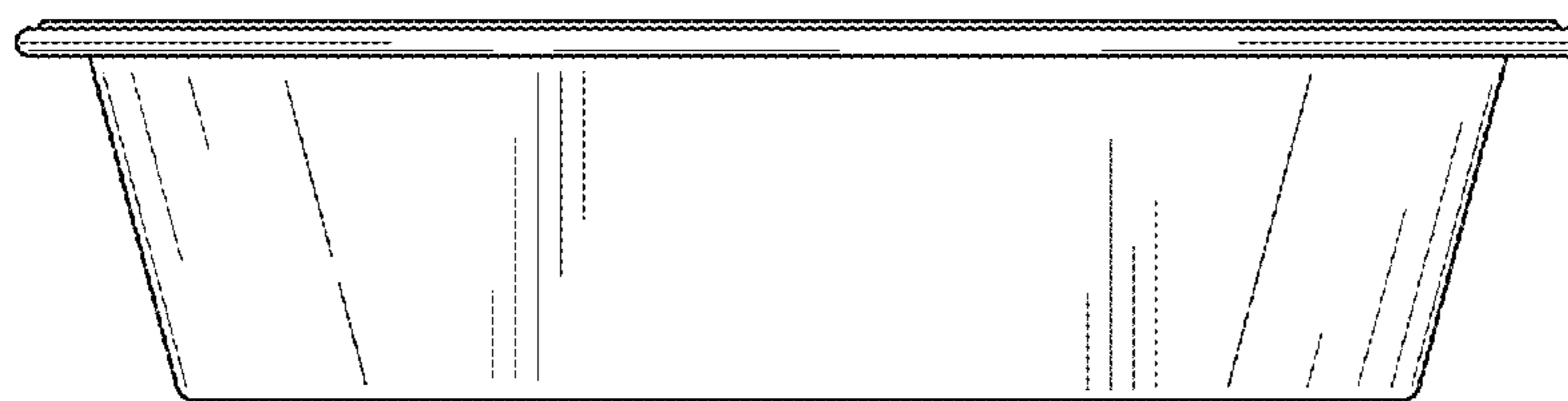


FIGURE 4

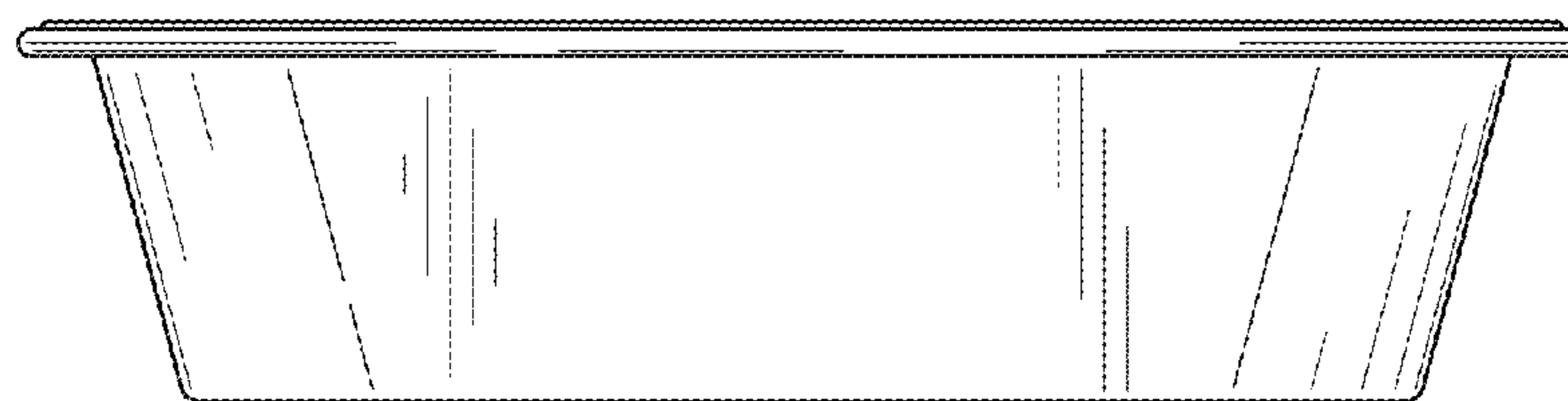


FIGURE 5

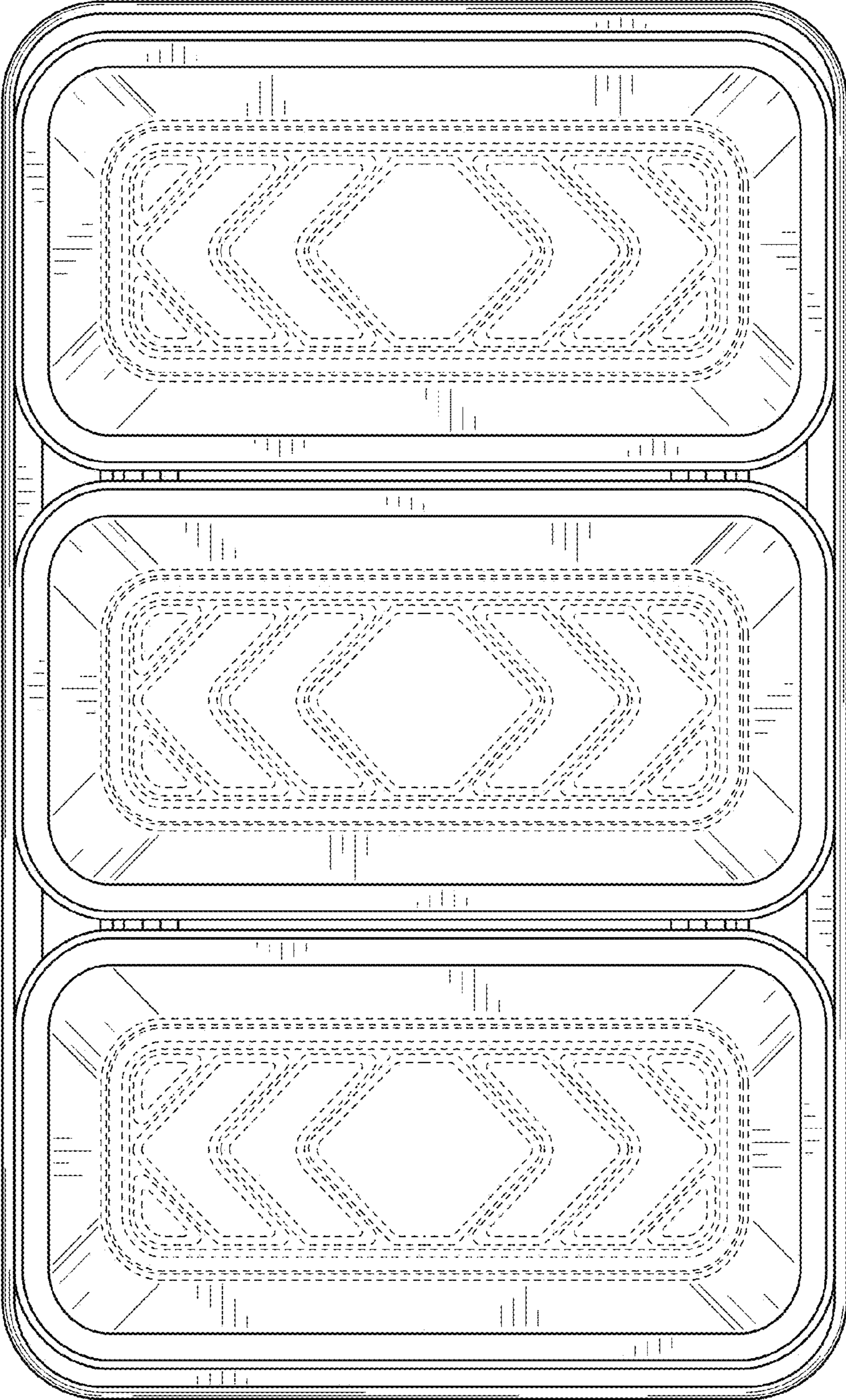


FIGURE 6

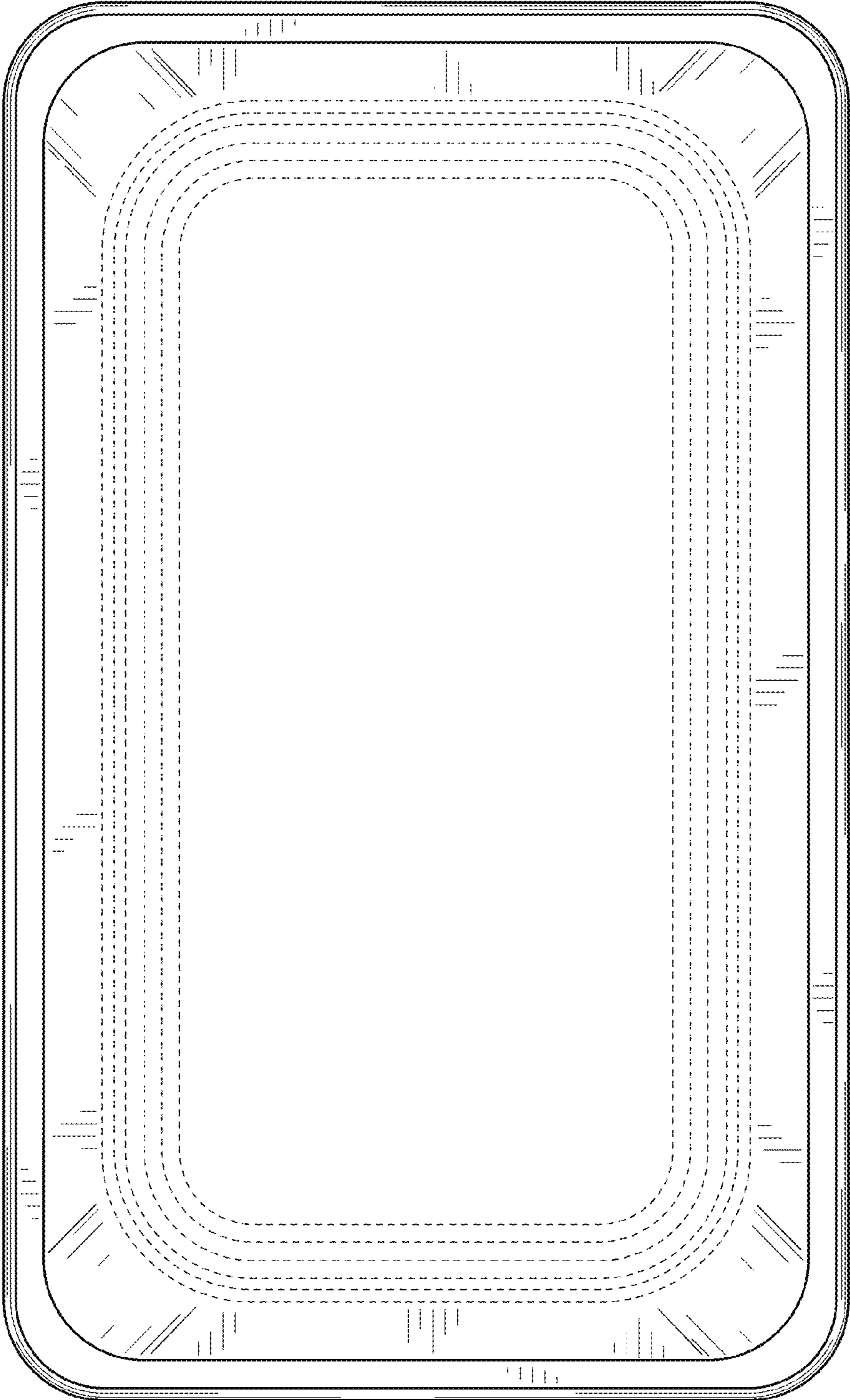


FIGURE 7

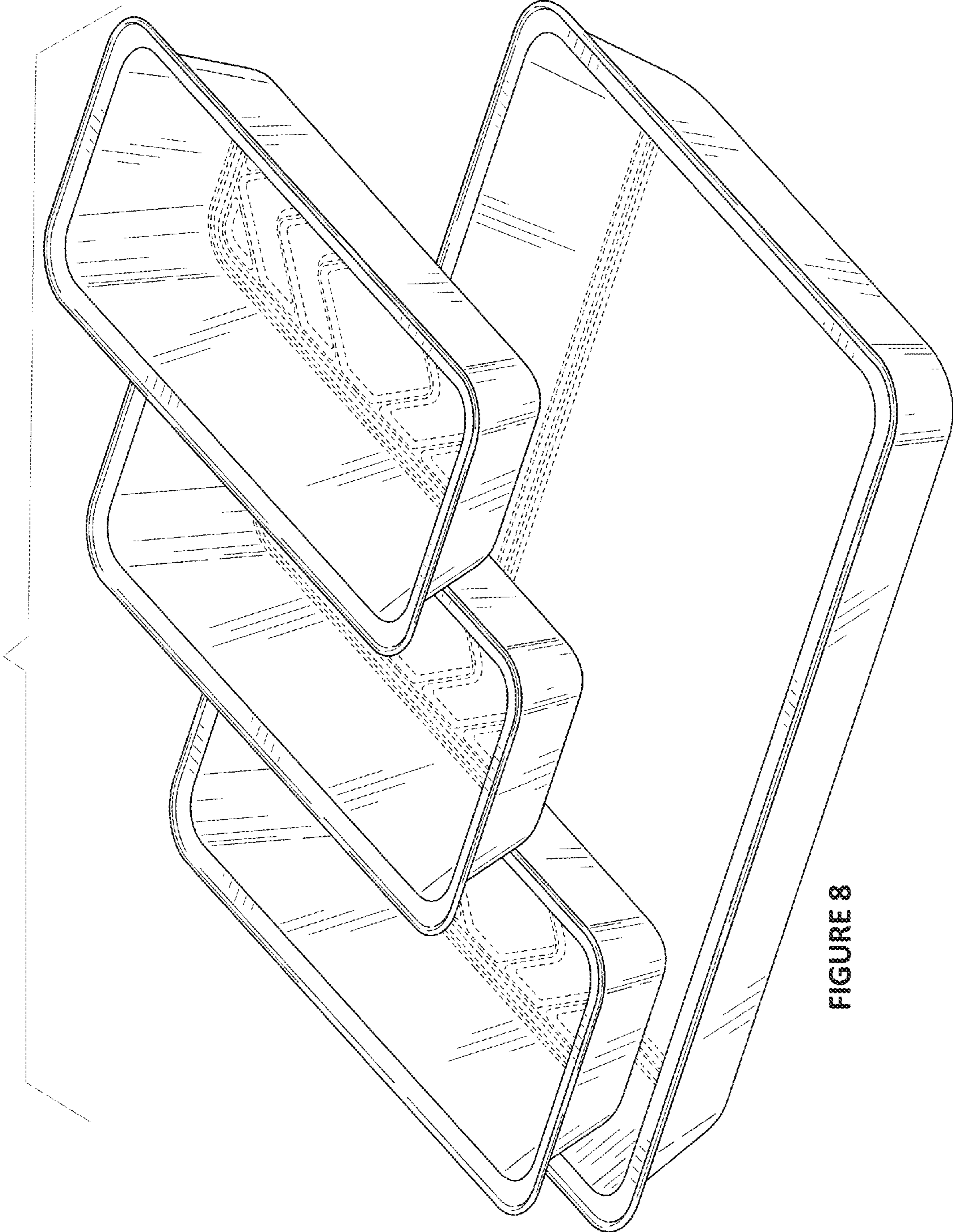


FIGURE 8

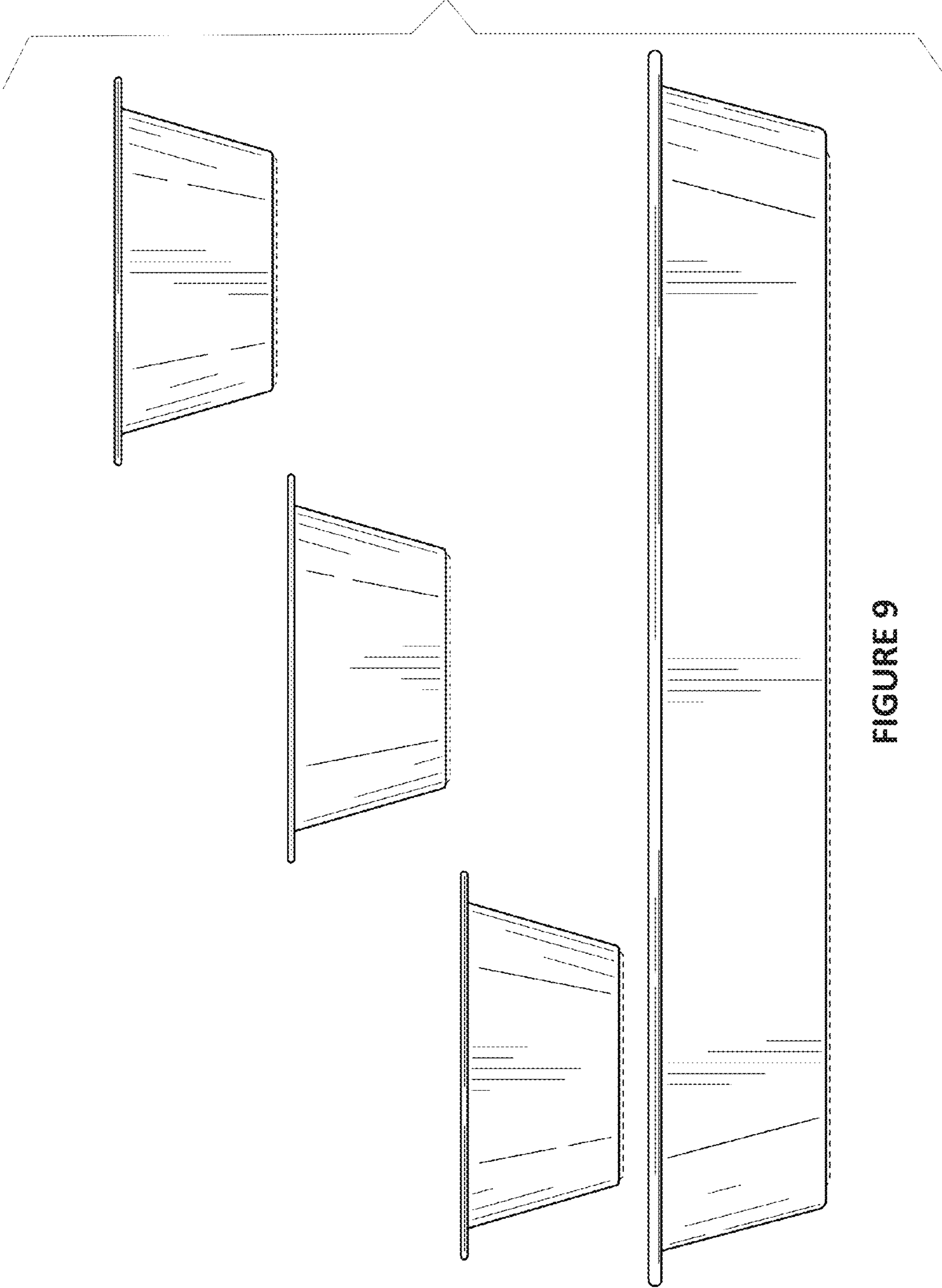


FIGURE 9

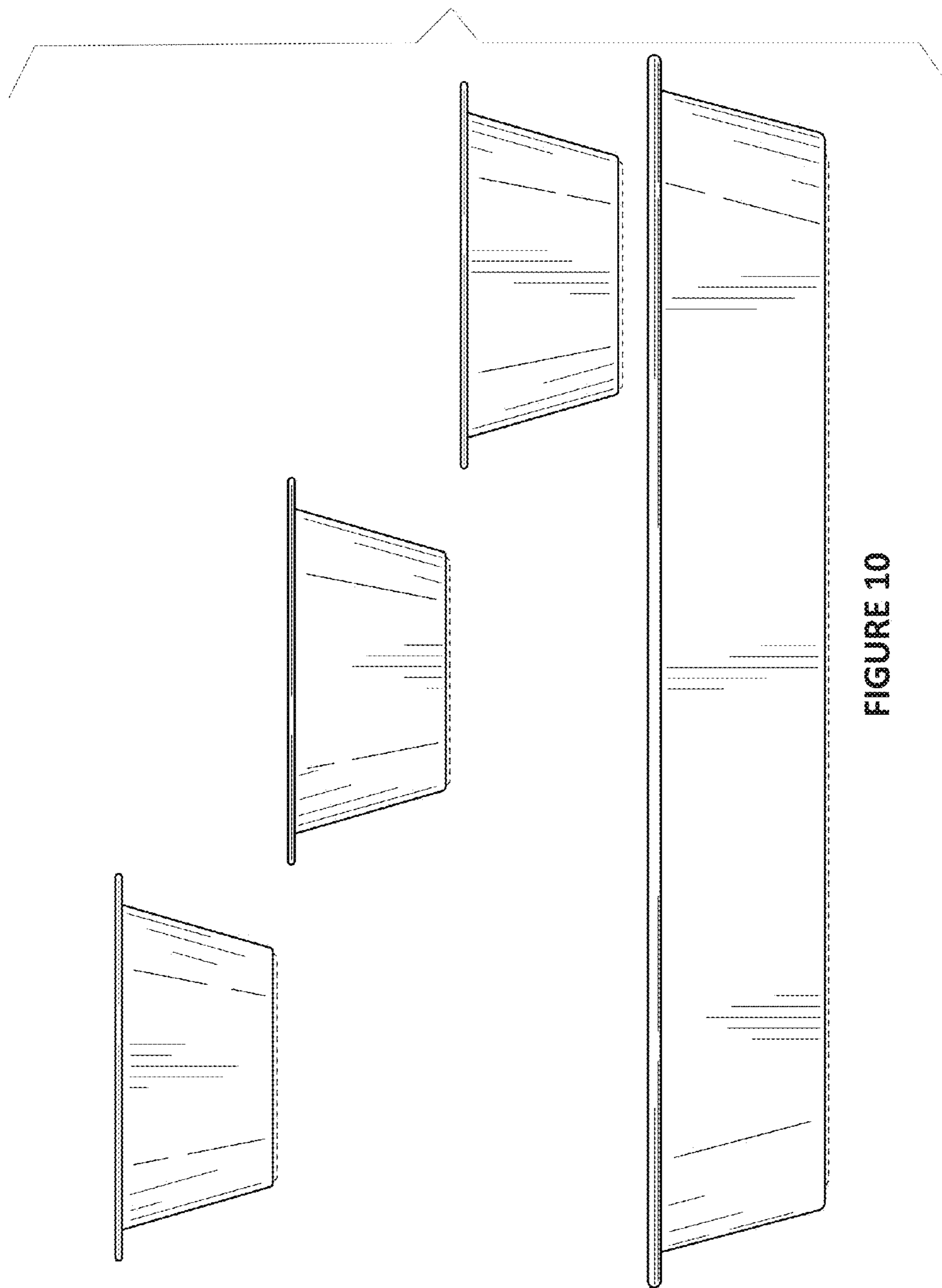


FIGURE 10

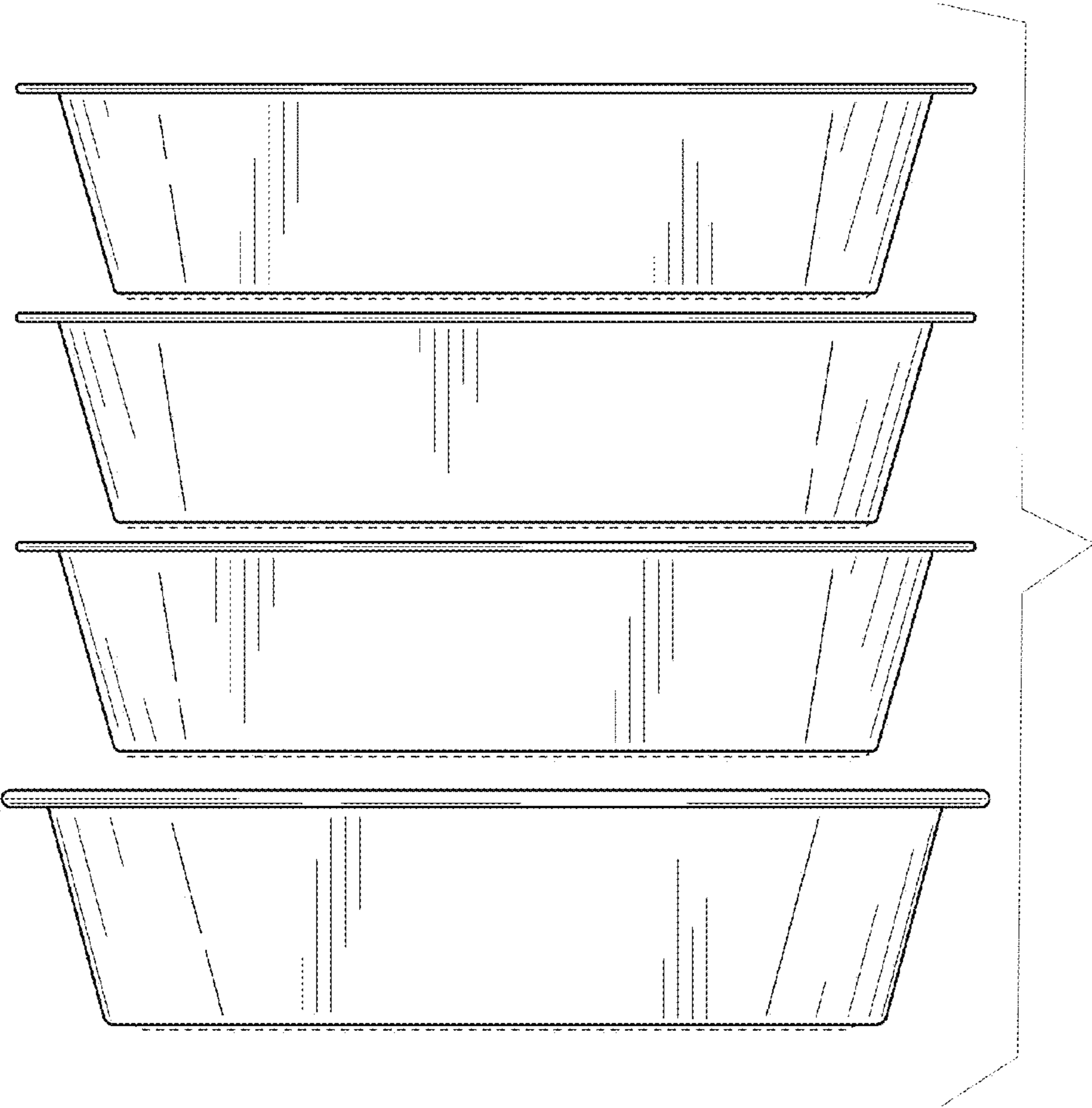


FIGURE 11

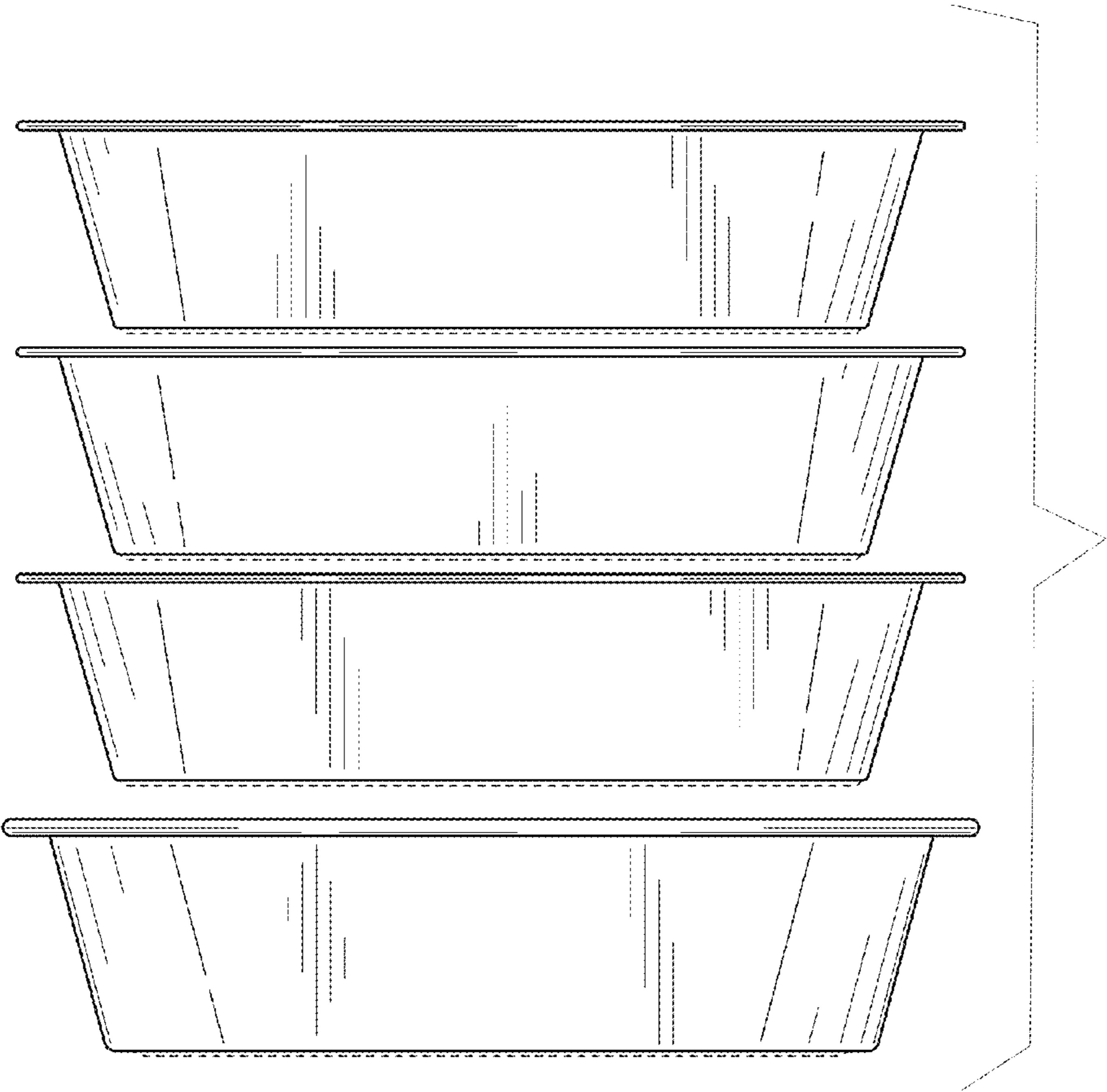


FIGURE 12

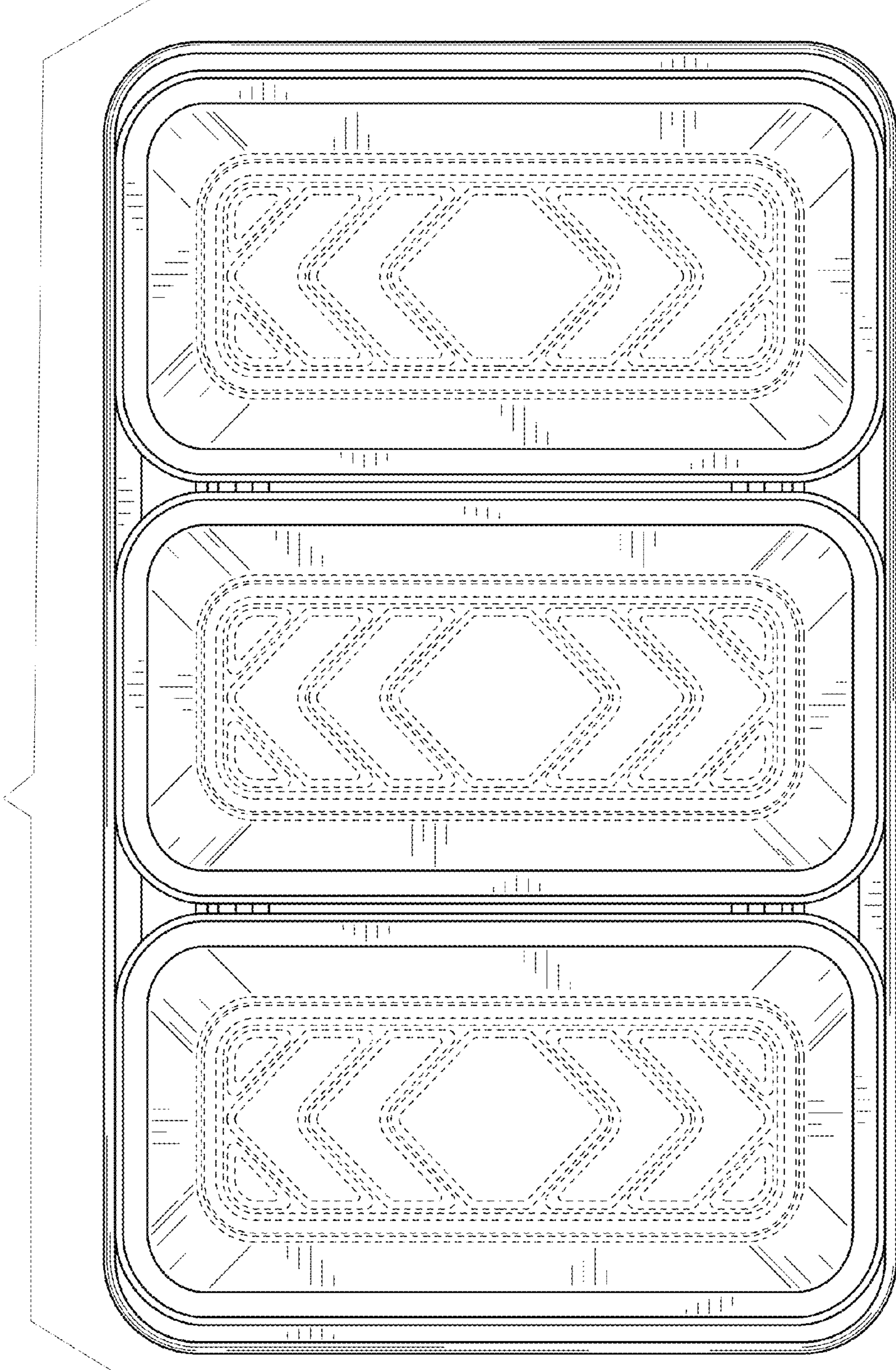


FIGURE 13

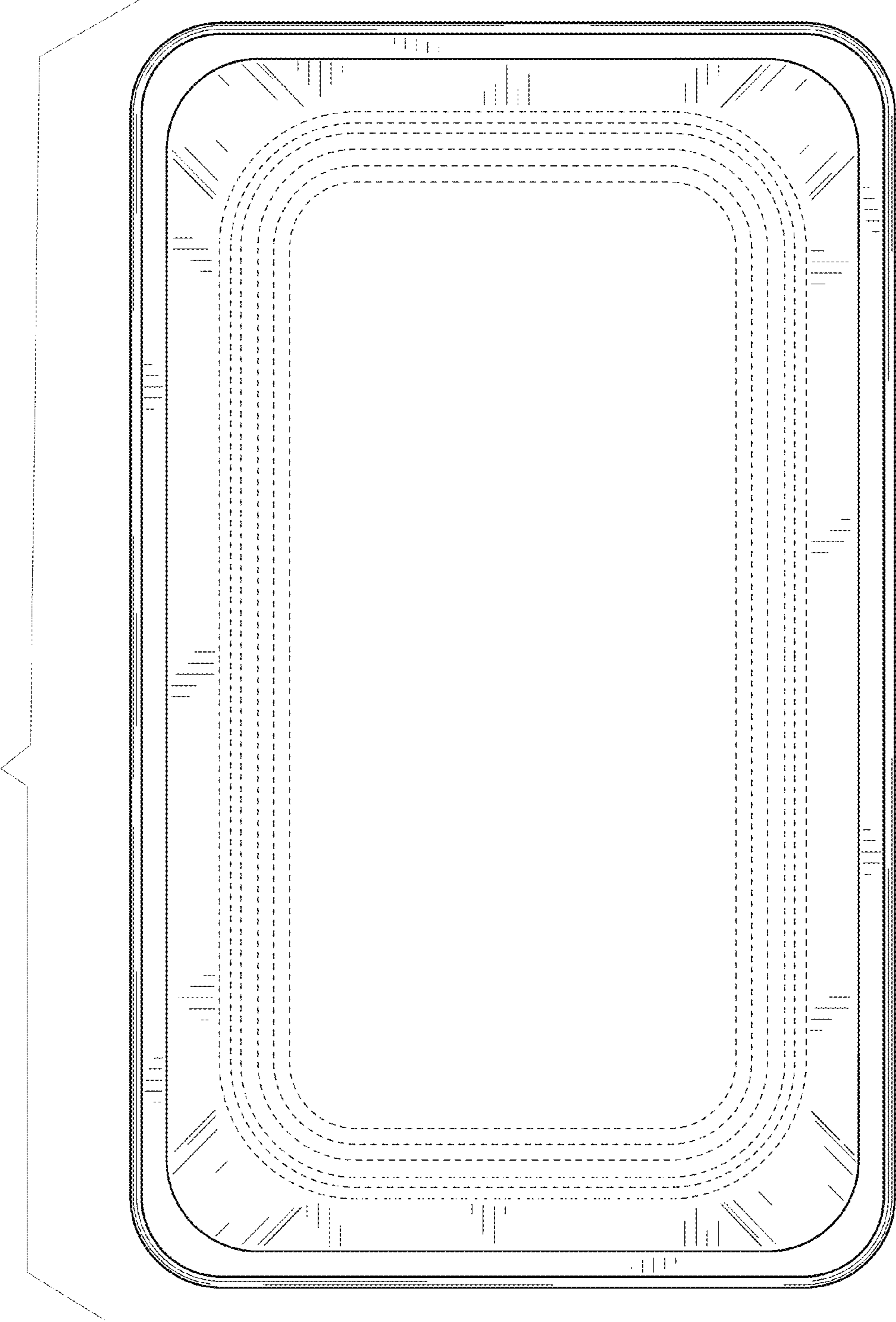


FIGURE 14

UNITED STATES PATENT AND TRADEMARK OFFICE
CERTIFICATE OF CORRECTION

PATENT NO. : D713,196 S
APPLICATION NO. : 29/484457
DATED : September 16, 2014
INVENTOR(S) : Norton Sarnoff et al.

Page 1 of 1

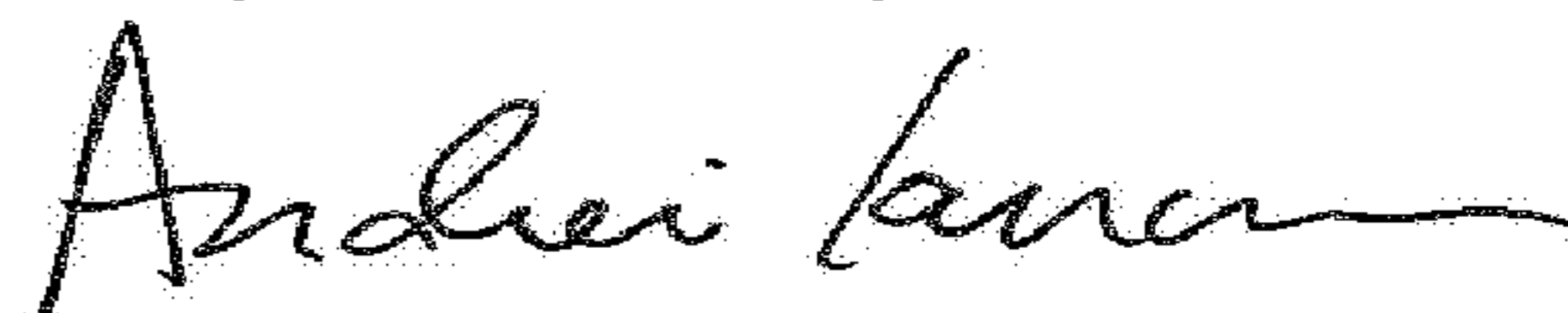
It is certified that error appears in the above-identified patent and that said Letters Patent is hereby corrected as shown below:

On the Title Page

Item (73) Assignee:

“Innovation First, Inc., Greenville, TX (US)” should read --Handi-Foil Corporation, Wheeling, IL (US)--.

Signed and Sealed this
Twenty-seventh Day of March, 2018



Andrei Iancu
Director of the United States Patent and Trademark Office