



US00D713193S

(12) **United States Design Patent**  
**English**

(10) **Patent No.:** **US D713,193 S**  
(45) **Date of Patent:** **\*\* Sep. 16, 2014**

(54) **PORTABLE BEVERAGE DISPENSER**

(71) Applicant: **Edward A. English**, Birmingham, AL  
(US)

(72) Inventor: **Edward A. English**, Birmingham, AL  
(US)

(\*\*) Term: **14 Years**

(21) Appl. No.: **29/447,747**

(22) Filed: **Mar. 6, 2013**

(51) **LOC (10) Cl.** ..... **07-01**

(52) **U.S. Cl.**  
USPC ..... **D7/306; D7/313**

(58) **Field of Classification Search**  
USPC ..... D7/313, 306-311, 300; D23/207;  
222/146.6, 105, 185.1  
See application file for complete search history.

(56) **References Cited**

**U.S. PATENT DOCUMENTS**

3,069,869	A	12/1962	Mueller	
D198,597	S *	7/1964	Gram	D7/300
3,278,088	A	10/1966	Christman et al.	
D225,883	S *	1/1973	DiPierro et al.	D7/313
D225,884	S *	1/1973	Hanig	D7/605
4,225,059	A	9/1980	Kappos	
4,577,475	A	3/1986	Herrera	
4,921,135	A	5/1990	Pleet	
D309,396	S *	7/1990	Lundblade et al.	D7/313
4,996,847	A	3/1991	Zickler	
5,090,214	A	2/1992	LoGioco	
5,222,631	A	6/1993	Hood	
D337,234	S *	7/1993	McGinnis	D7/306
D349,417	S *	8/1994	Malmberg et al.	D7/306
5,444,992	A	8/1995	Bell	
5,845,515	A	12/1998	Nelson	
D404,250	S *	1/1999	Midden et al.	D7/397
6,220,311	B1	4/2001	Litto	
6,269,980	B1	8/2001	Randall et al.	
D471,054	S *	3/2003	Gantt	D7/313

6,708,741	B1	3/2004	Berry et al.	
D500,624	S *	1/2005	Jing-Liang	D7/301
7,007,725	B2	3/2006	Peltier	
D526,827	S *	8/2006	Allen et al.	D7/306
D528,343	S *	9/2006	Ham	D7/306
7,140,507	B2 *	11/2006	Maldonado et al.	220/592.2

(Continued)

**FOREIGN PATENT DOCUMENTS**

WO	2005/040034	A2	5/2005
WO	2006/060890	A1	6/2006
WO	2010/118044	A2	10/2010

**OTHER PUBLICATIONS**

Website <http://web.archive.org/web/20121025122059/http://nbjunlong.en.alibaba.com/> featuring "Handle SGS Plastic Cooler Box 12L", dated Oct. 25, 2012.

*Primary Examiner* — Marianne Pandozzi  
(74) *Attorney, Agent, or Firm* — Bush Intellectual Property Law; Kenneth M. Bush

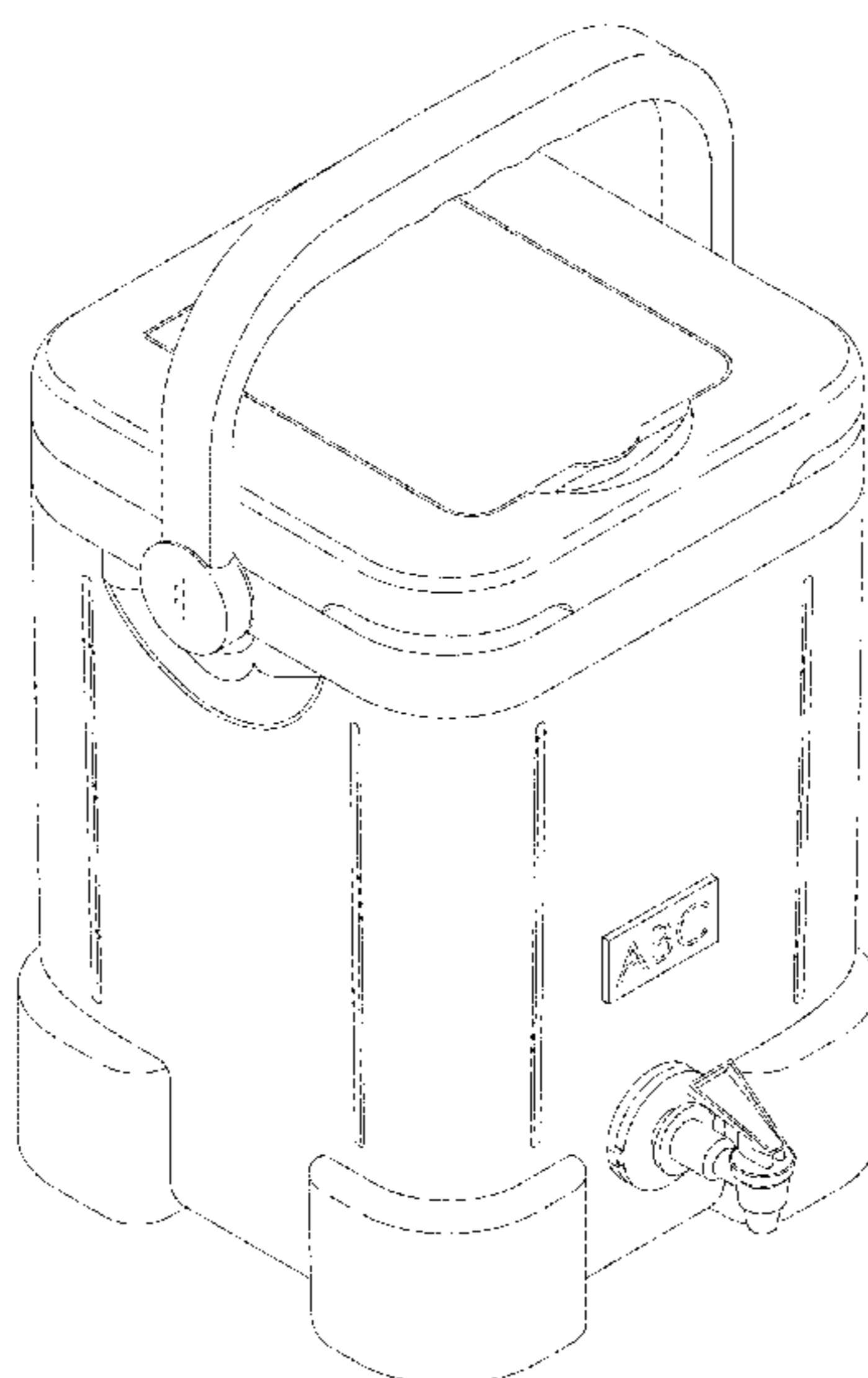
(57) **CLAIM**

I claim the ornamental design for a portable beverage dispenser, as shown and described.

**DESCRIPTION**

FIG. 1 is a front left perspective view of a portable beverage dispenser showing my new design; FIG. 2 is a front elevation view thereof; FIG. 3 is a rear elevation view thereof; FIG. 4 is a left side elevation view thereof; FIG. 5 is a right side elevation view thereof; FIG. 6 is a top plan view thereof; and, FIG. 7 is a bottom plan view thereof. In the drawings, the ABC in broken lines is for illustrative purposes only and forms no part of the claimed design. The ornamental design for a portable beverage container having a spigot for dispensing beverage from the container.

**1 Claim, 6 Drawing Sheets**



(56)

**References Cited**

U.S. PATENT DOCUMENTS

7,373,787	B2	5/2008	Forsberg et al.		
D595,532	S *	7/2009	Plasencia .....	D7/301	
D602,301	S *	10/2009	Romandy .....	D7/306	
D611,289	S *	3/2010	de Visser .....	D7/309	
					* cited by examiner
8,002,145	B2 *	8/2011	Anjos .....	222/105	
D663,565	S *	7/2012	Yang .....	D7/306	
2005/0127081	A1	6/2005	Leba et al.		
2007/0277547	A1	12/2007	Veeravagu et al.		
2007/0290001	A1	12/2007	Bachrach		
2012/0024903	A1	2/2012	Leith, Sr. et al.		

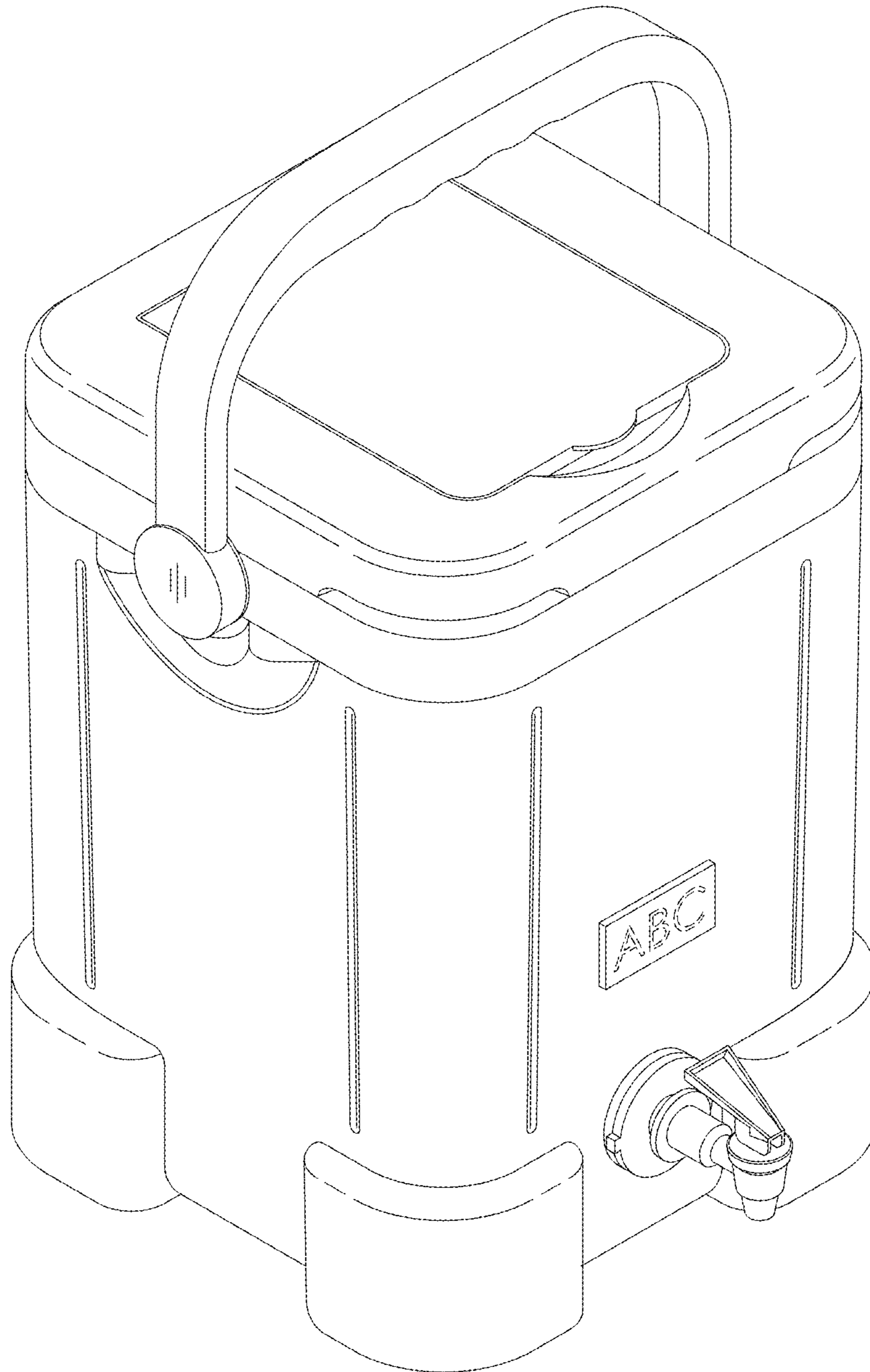


FIG. 1



FIG. 2

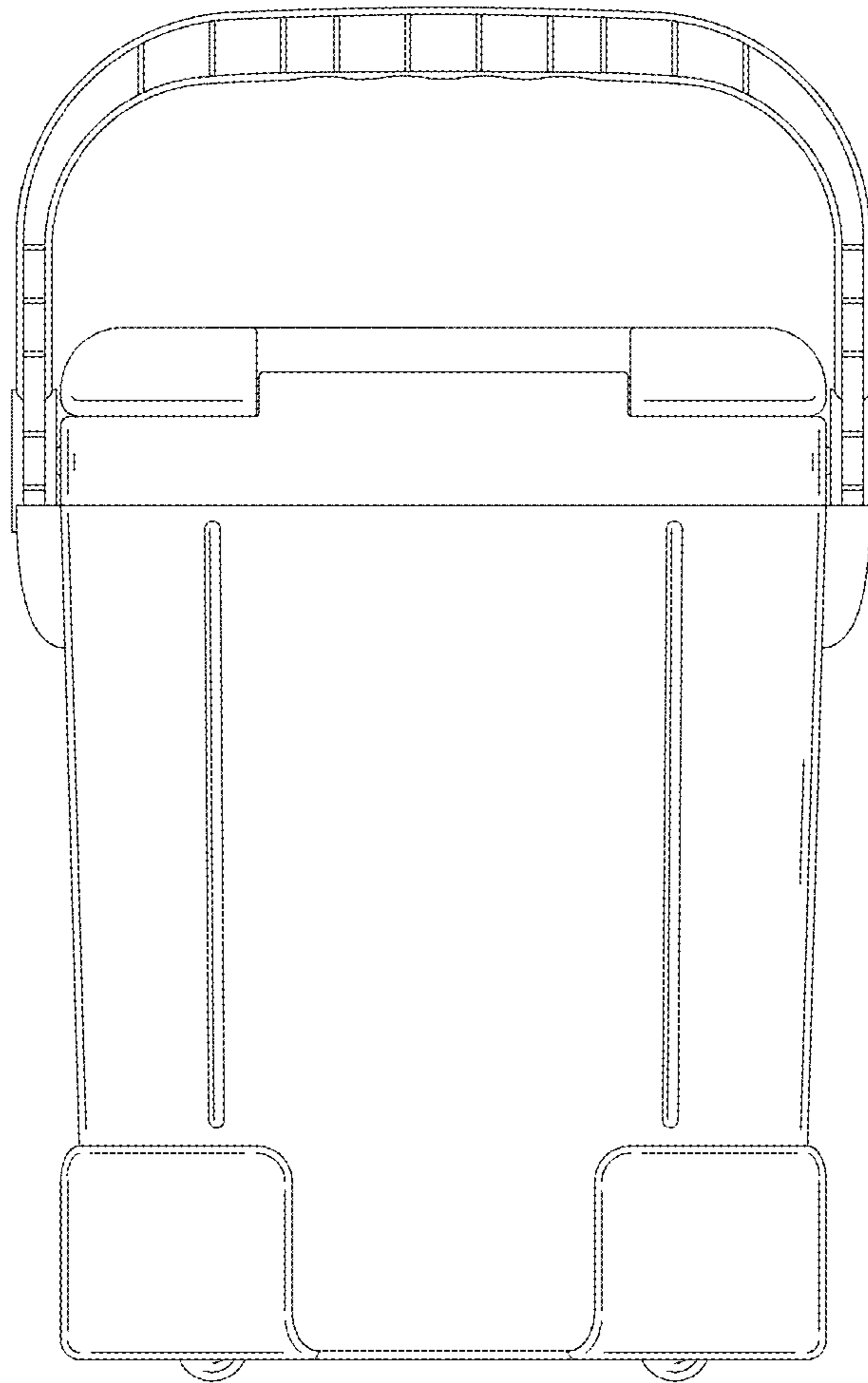


FIG. 3

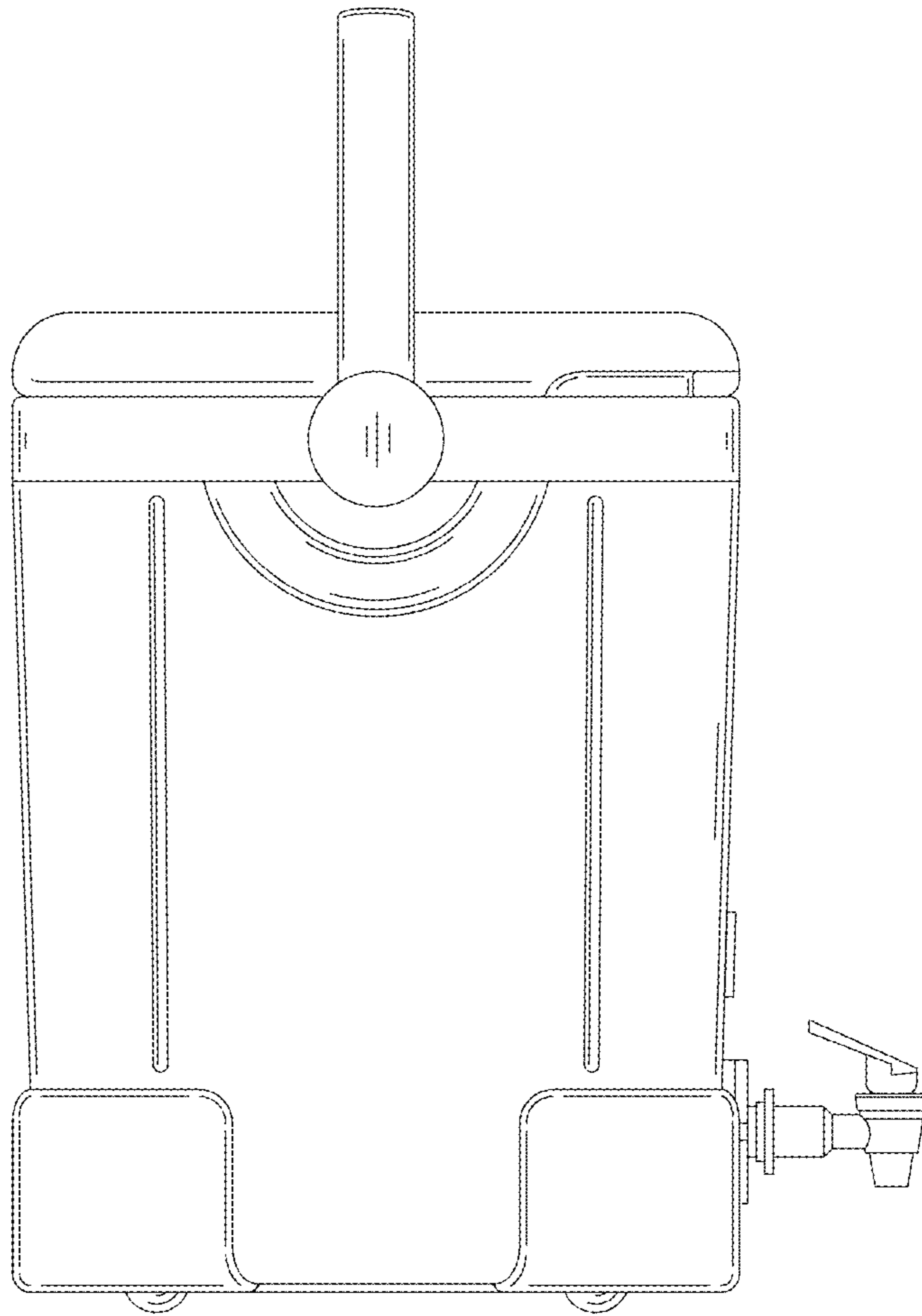


FIG. 4

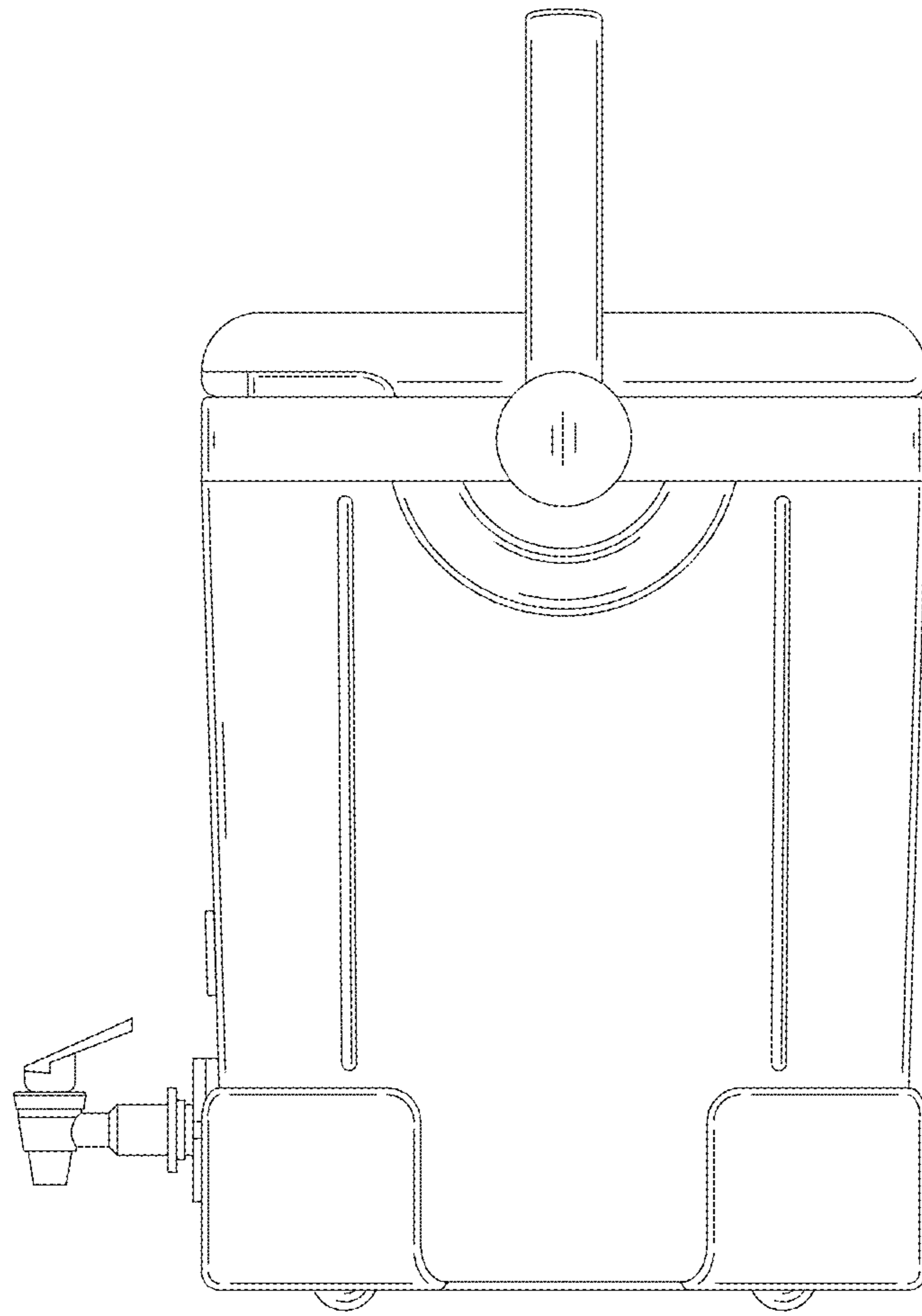


FIG. 5

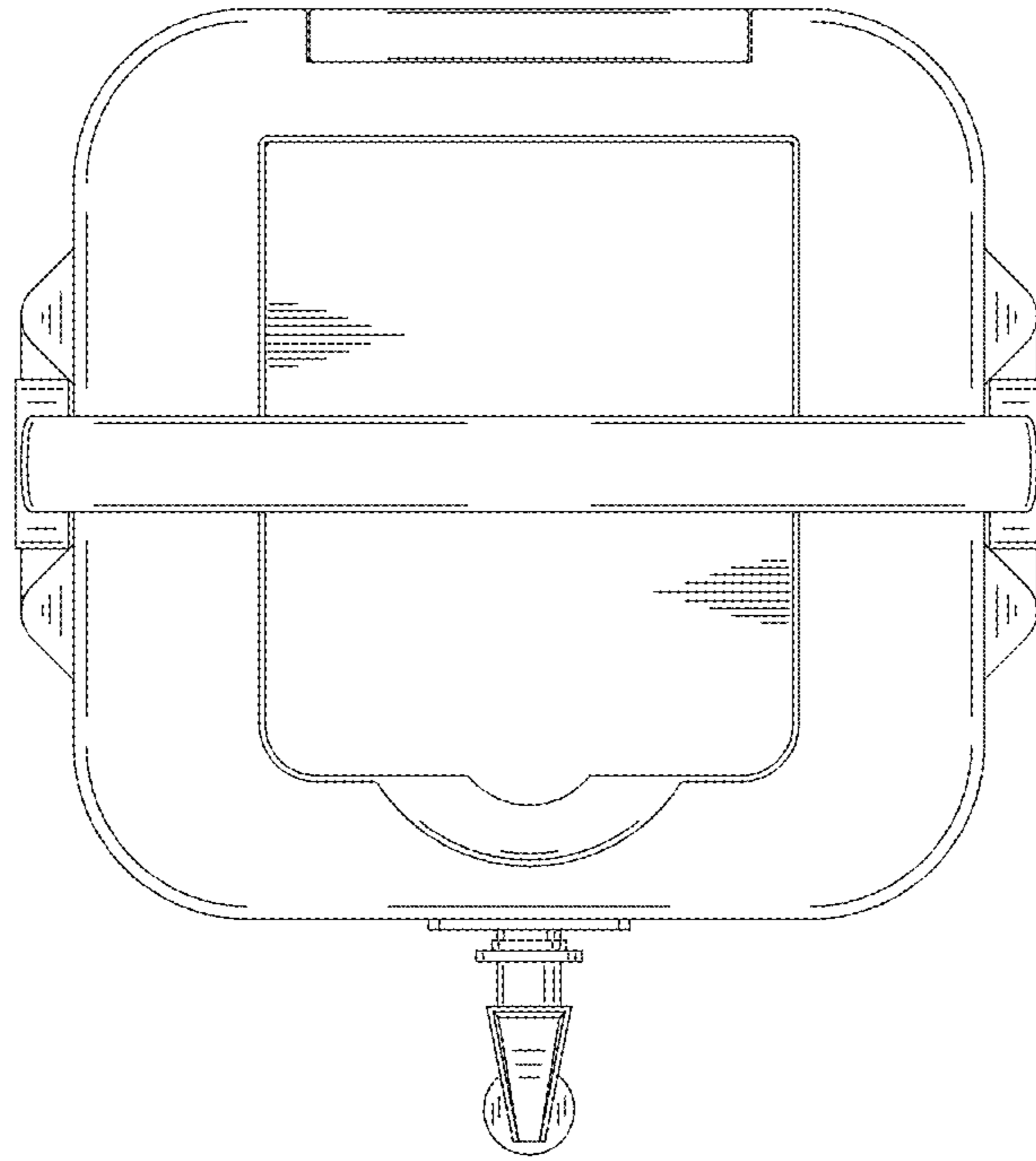


FIG. 6

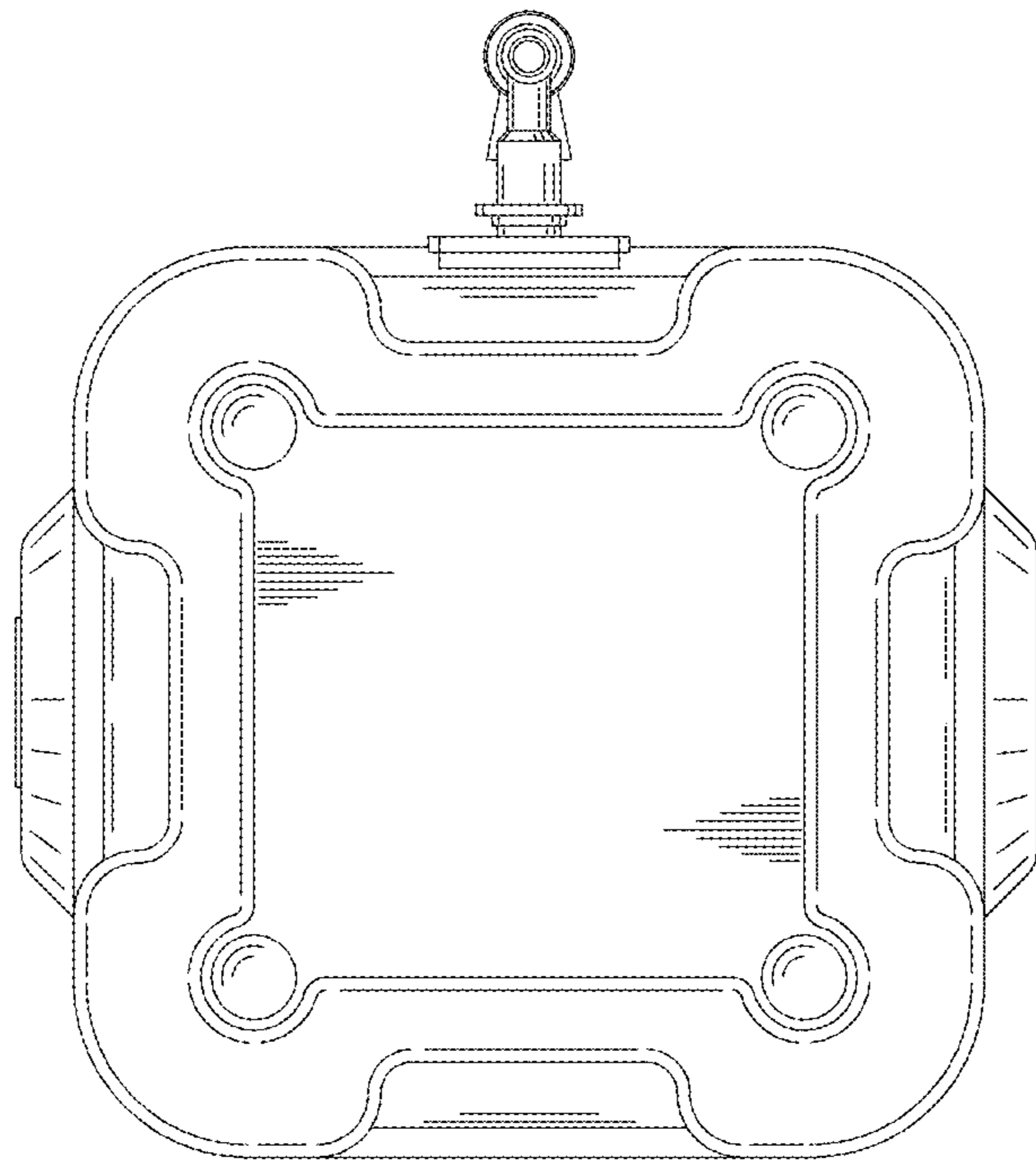


FIG. 7