



US00D713192S

(12) **United States Design Patent**
Wood

(10) **Patent No.:** **US D713,192 S**

(45) **Date of Patent:** **** Sep. 16, 2014**

(54) **STADIUM CHAIR**

(71) Applicant: **Cascade Mountain Tech**, Snoqualmie, WA (US)

(72) Inventor: **Rick Wood**, Snoqualmie, WA (US)

(73) Assignee: **Cascade Mountain Tech**, Snoqualmie, WA (US)

(**) Term: **14 Years**

(21) Appl. No.: **29/457,180**

(22) Filed: **Jun. 7, 2013**

(51) **LOC (10) Cl.** **06-01**

(52) **U.S. Cl.**
USPC **D6/716.1**

(58) **Field of Classification Search**
USPC D6/333–336, 356, 362–368, 376–380,
D6/491–502, 692, 708, 708.21, 716,
D6/716.1–716.4; 297/142, 250.1, 228.1,
297/228.11, 219.1, 219.12, 252, 352, 382,
297/452.2, 452.13

See application file for complete search history.

(56) **References Cited**

U.S. PATENT DOCUMENTS

D121,266	S *	7/1940	Archer	D6/368
D252,658	S *	8/1979	Kressin	D6/368
5,580,130	A *	12/1996	Williams et al.	297/352
D391,086	S *	2/1998	Catchings et al.	D6/356
6,352,306	B1 *	3/2002	Dreiling	297/252
D468,548	S	1/2003	Head, Jr.		
6,502,902	B1 *	1/2003	Romero	297/352
D495,511	S *	9/2004	Dingess et al.	D6/368
7,316,452	B2 *	1/2008	Vestweber	297/252
7,374,246	B2 *	5/2008	Jones	297/352
7,597,399	B1 *	10/2009	Schneller	297/352
7,722,117	B2 *	5/2010	Jones	297/252
D634,951	S *	3/2011	Dreiling	D6/502
2008/0093902	A1 *	4/2008	Jones	297/252

* cited by examiner

Primary Examiner — Ricky Pham

(74) *Attorney, Agent, or Firm* — Schwegman Lundberg & Woessner, P.A.

(57) **CLAIM**

The ornamental design for the stadium chair, as shown and described.

DESCRIPTION

FIG. 1 is a front left perspective view of a first embodiment of a stadium chair in a closed position, with the dashed line indicating a boundary to claimed subject matter, and dash-dot-dash line indicated disclaimed subject matter.

FIG. 2 is a bottom left perspective view of the first embodiment of the stadium chair in a closed position, with the dashed line indicating a boundary to claimed subject matter, and dash-dot-dash line indicated disclaimed subject matter.

FIG. 3 is a top view of the first embodiment of the stadium chair in a closed position, with dash-dot-dash line indicated disclaimed subject matter.

FIG. 4 is a bottom view of the first embodiment of the stadium chair in a closed position, with the dashed line indicating a boundary to claimed subject matter, and dash-dot-dash line indicated disclaimed subject matter.

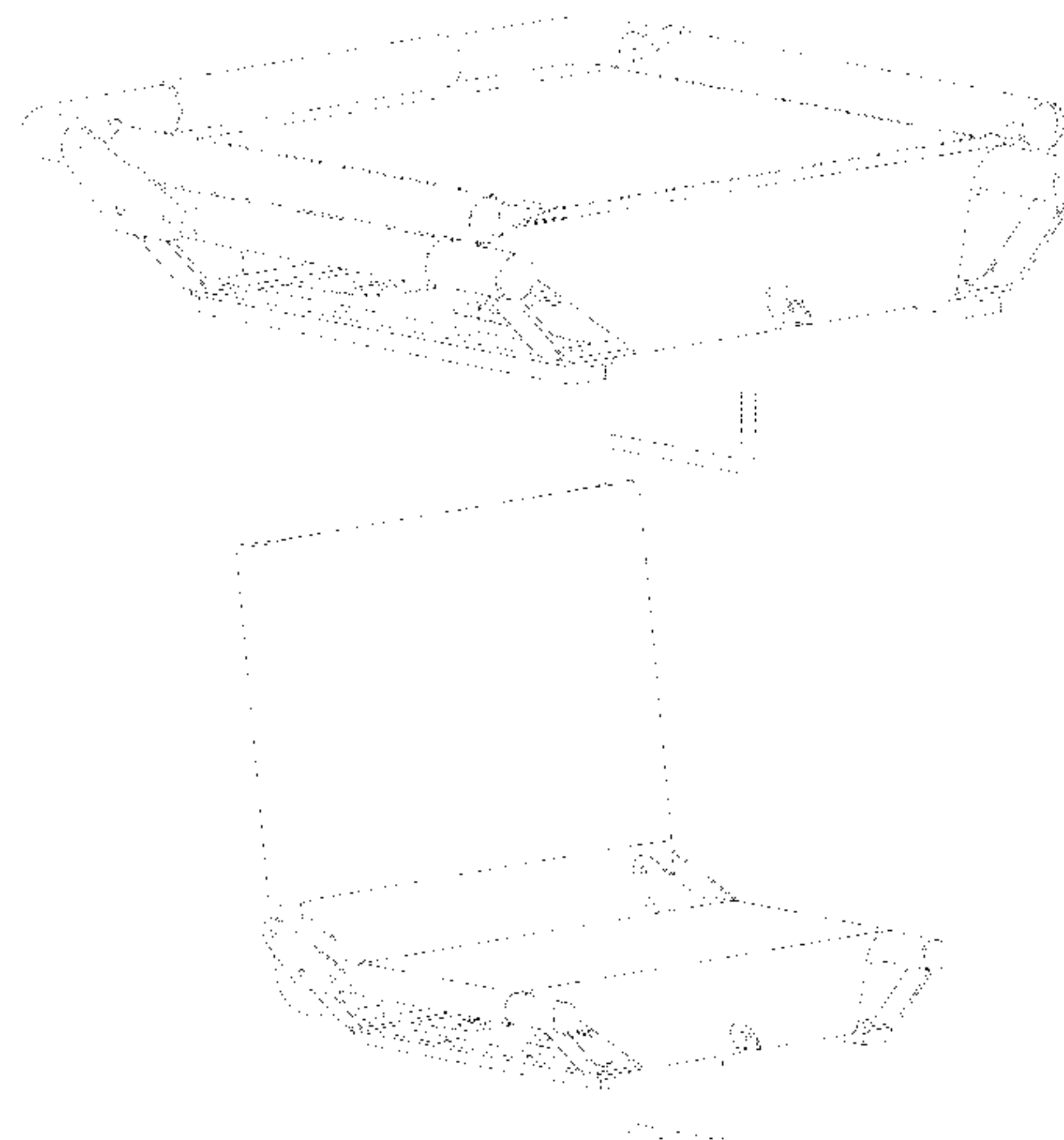
FIG. 5 is a left view of the first embodiment of the stadium chair in a closed position, with the dashed line indicating a boundary to claimed subject matter, and dash-dot-dash line indicated disclaimed subject matter.

FIG. 6 is a right view of the first embodiment of the stadium chair in a closed position, with the dashed line indicating a boundary to claimed subject matter, and dash-dot-dash line indicated disclaimed subject matter.

FIG. 7 is a front view of the first embodiment of the stadium chair in a closed position, with the dashed line indicating a boundary to claimed subject matter, and dash-dot-dash line indicated disclaimed subject matter.

FIG. 8 is a back view of the first embodiment of the stadium chair in a closed position, with the dashed line indicating a boundary to claimed subject matter, and dash-dot-dash line indicated disclaimed subject matter.

FIG. 9 is a front left perspective view of a first embodiment of a stadium chair in an open position, with the dashed line indicating a boundary to claimed subject matter, and dash-dot-dash line indicated disclaimed subject matter.



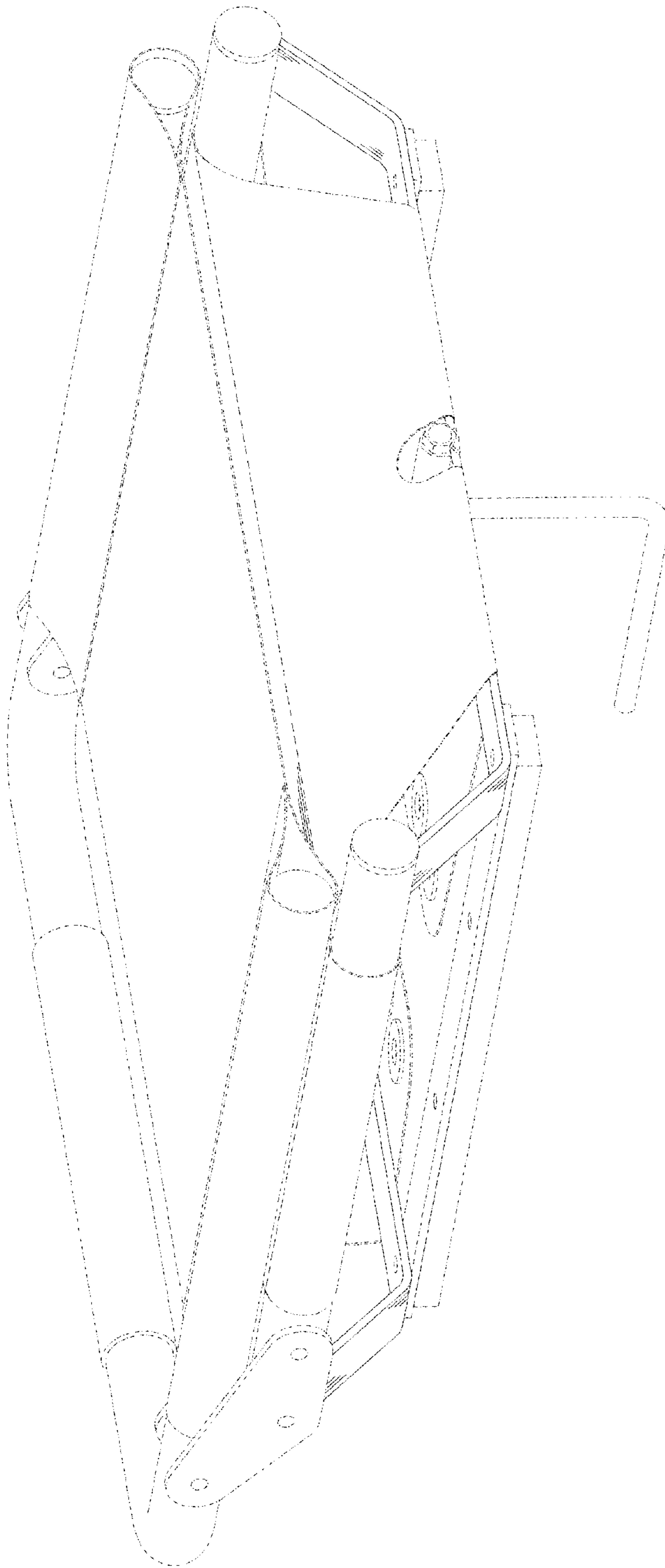


FIG. 1

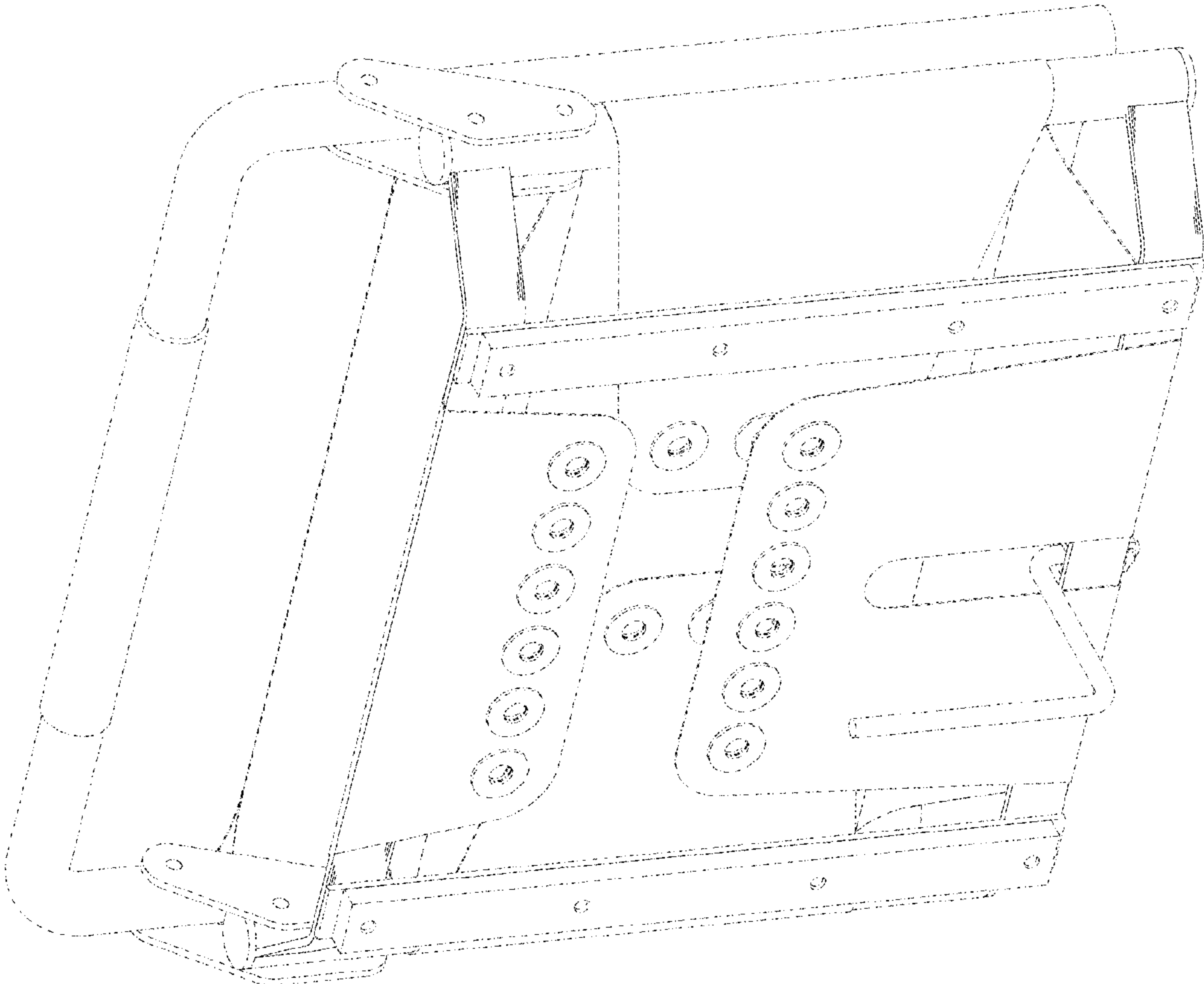


FIG. 2

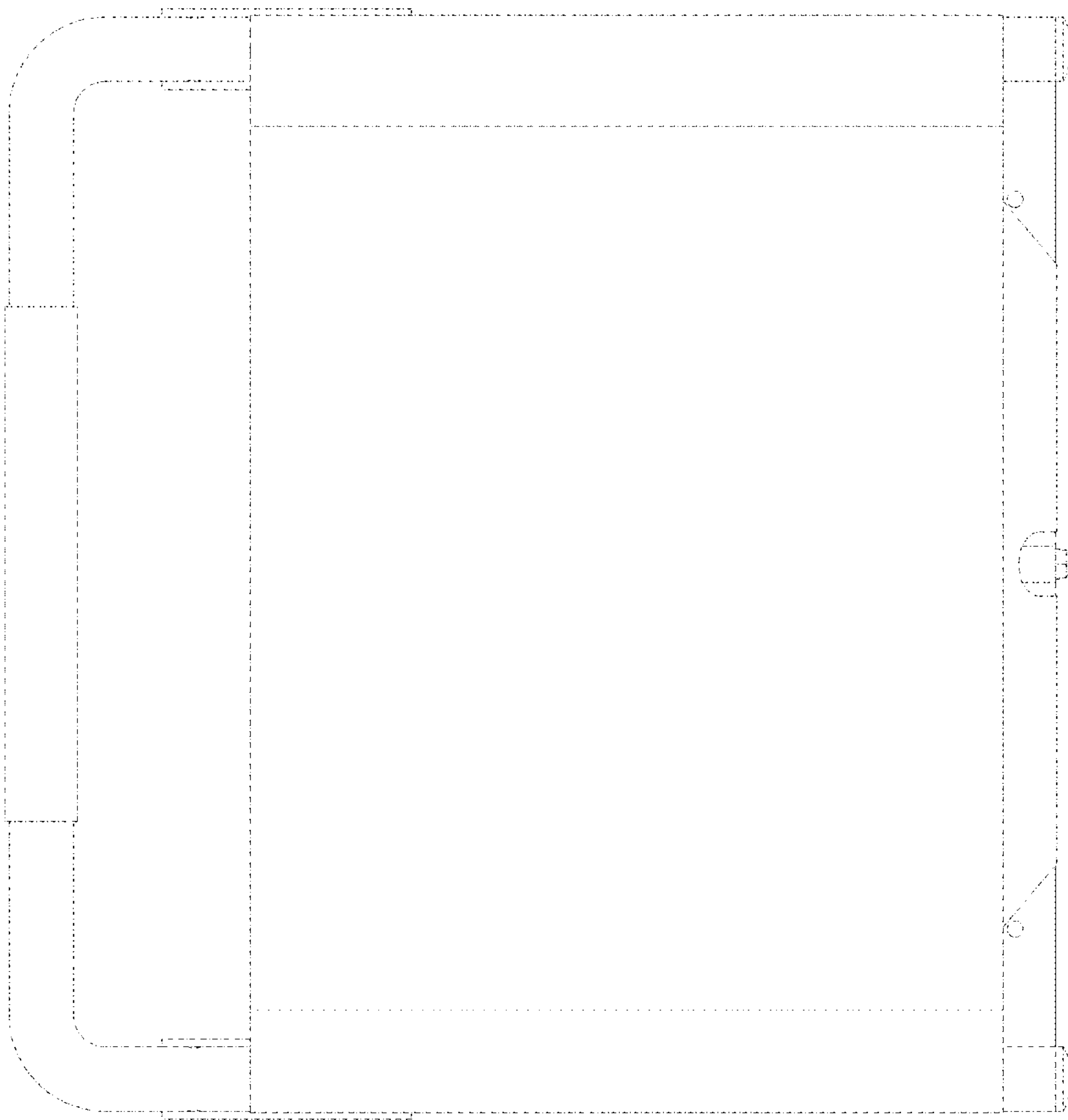


FIG. 3

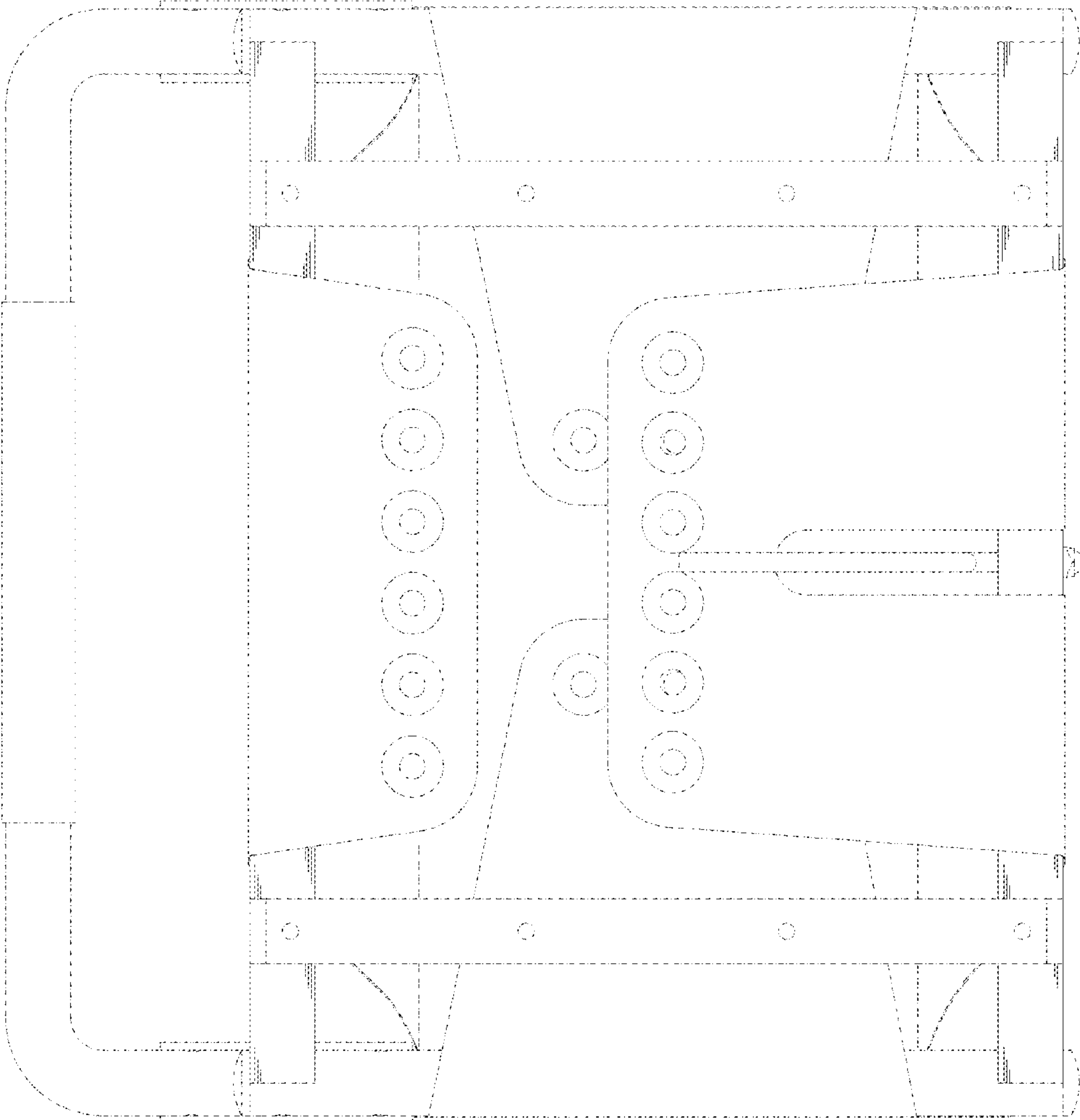


FIG. 4

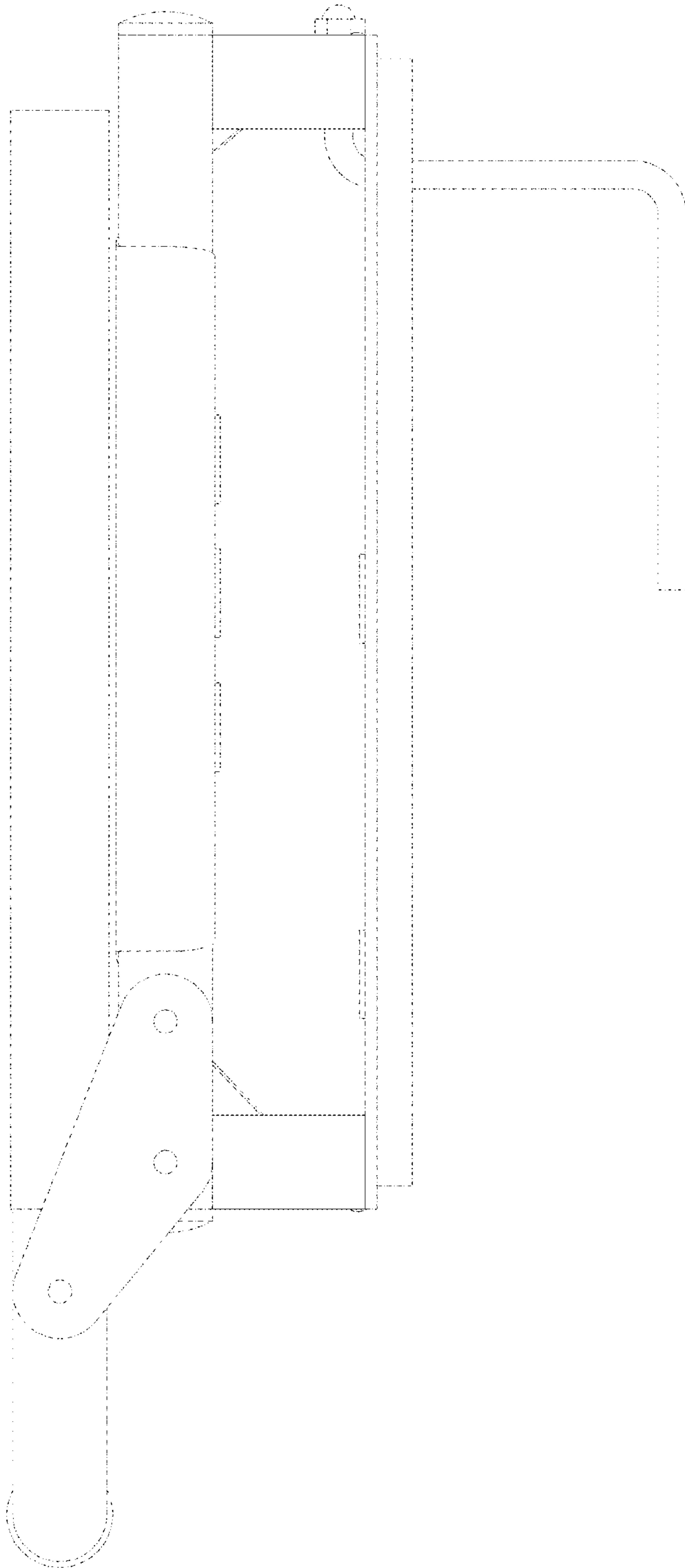


FIG. 5

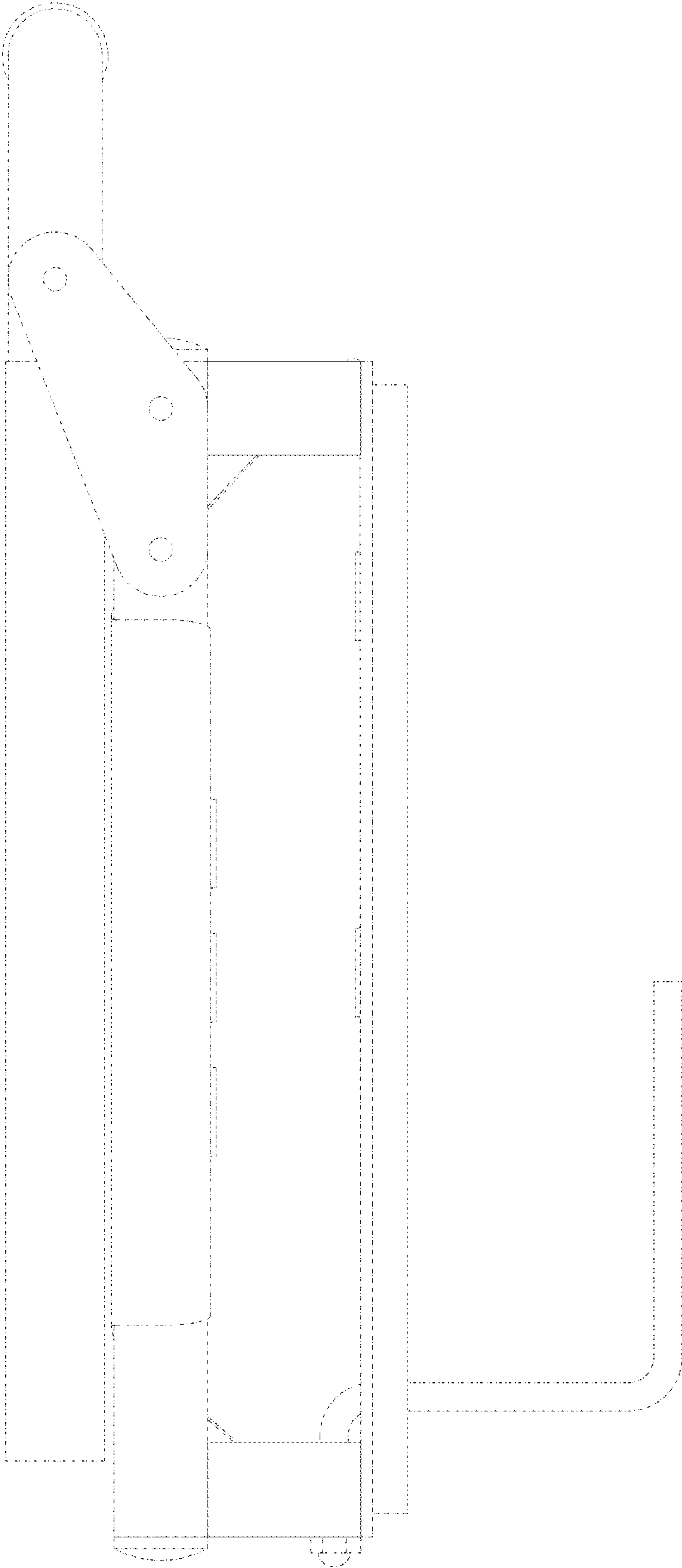


FIG. 6

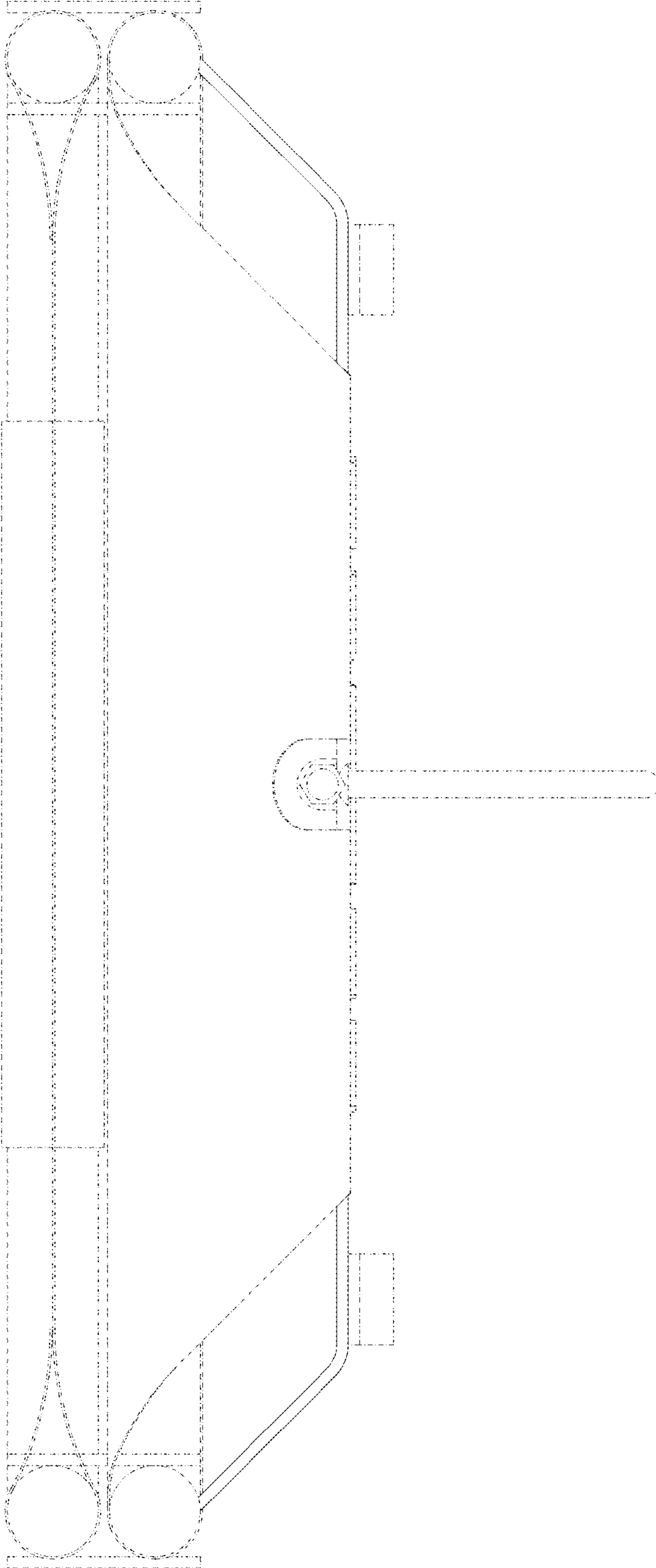


FIG. 7

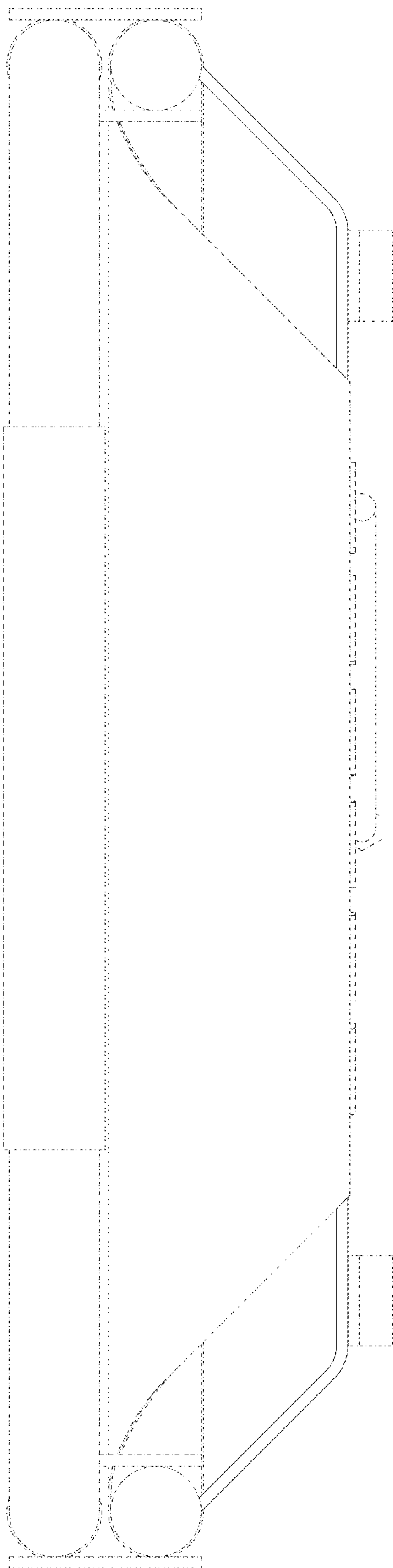


FIG. 8

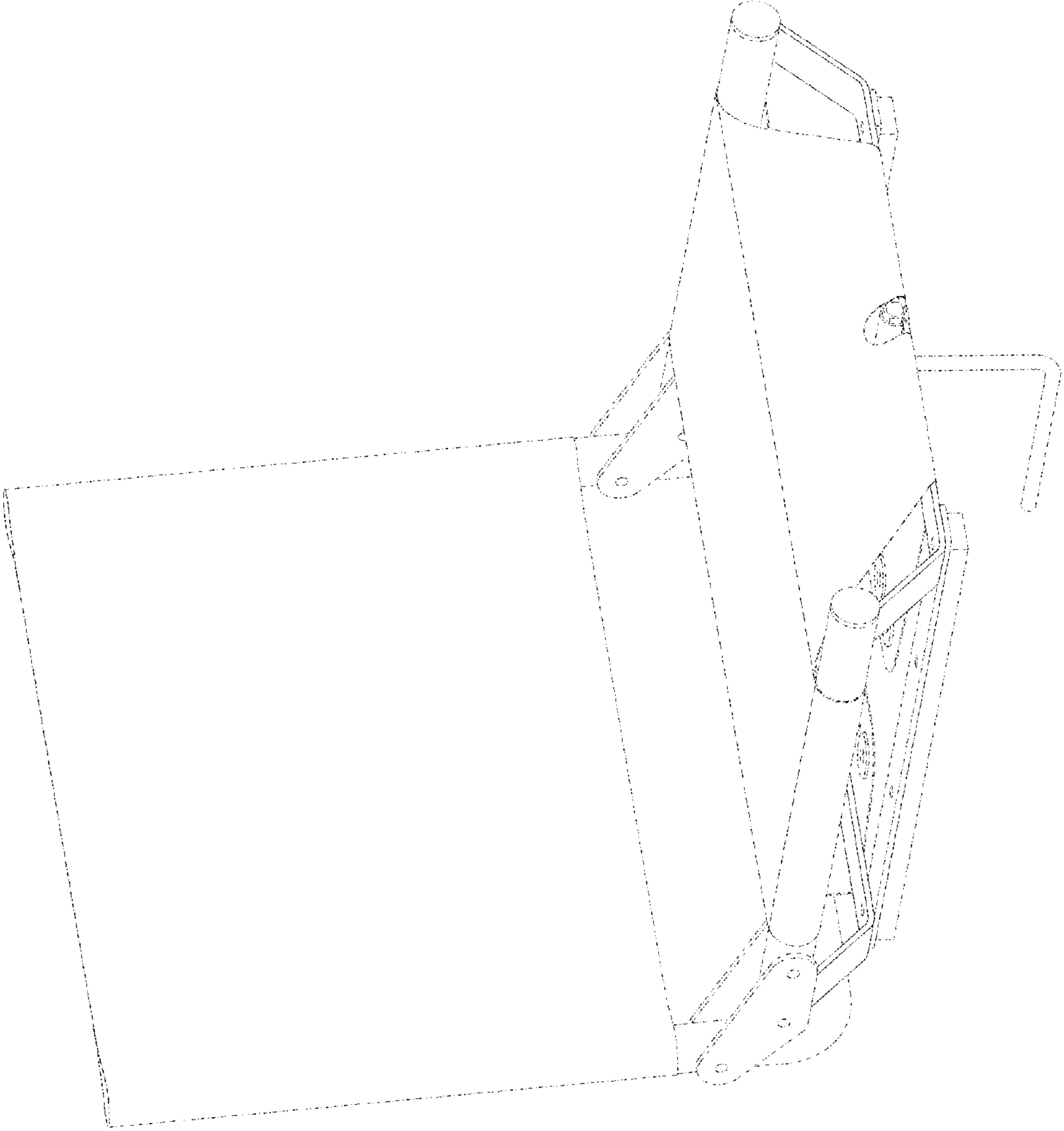


FIG. 9

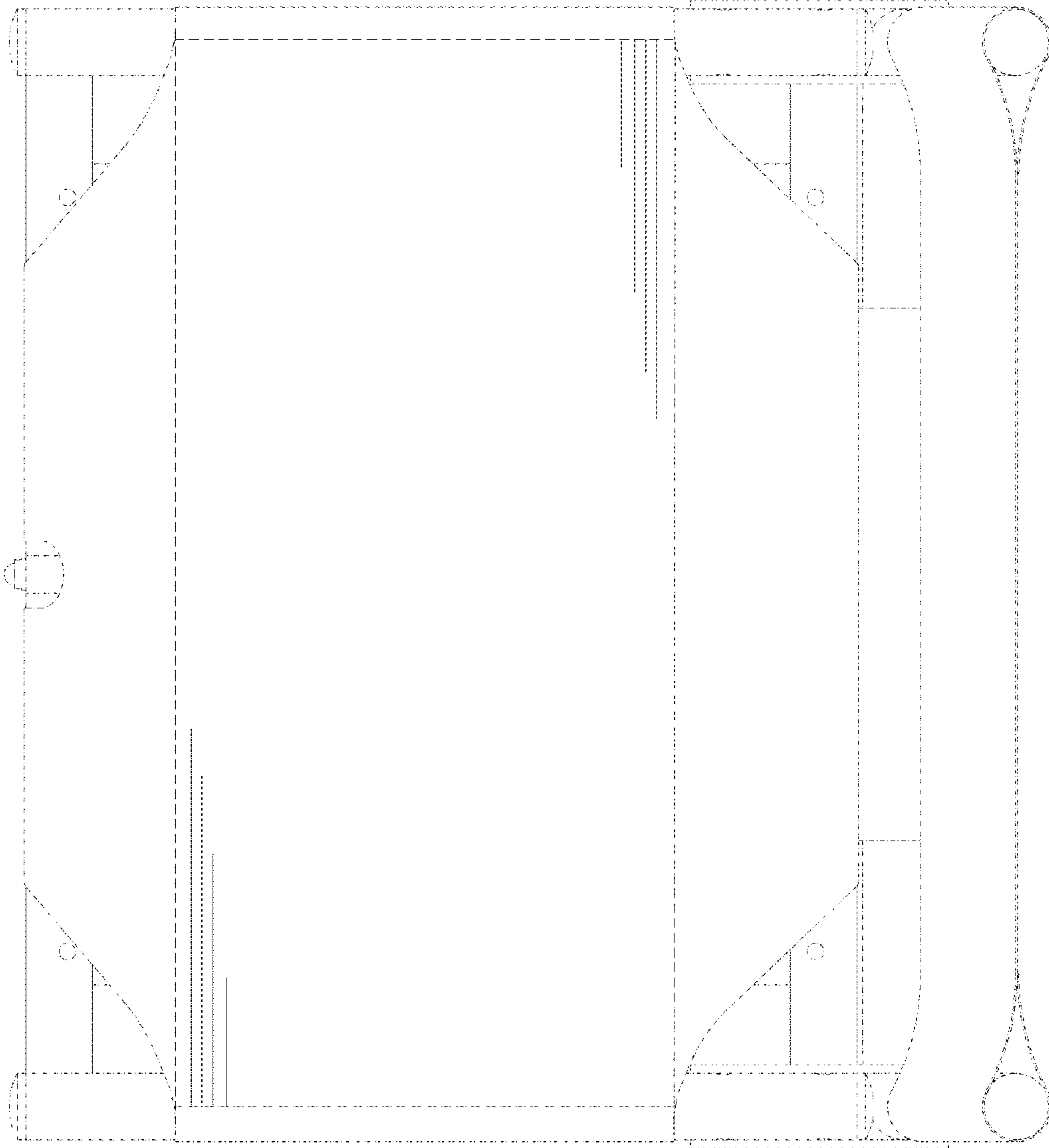


FIG. 10

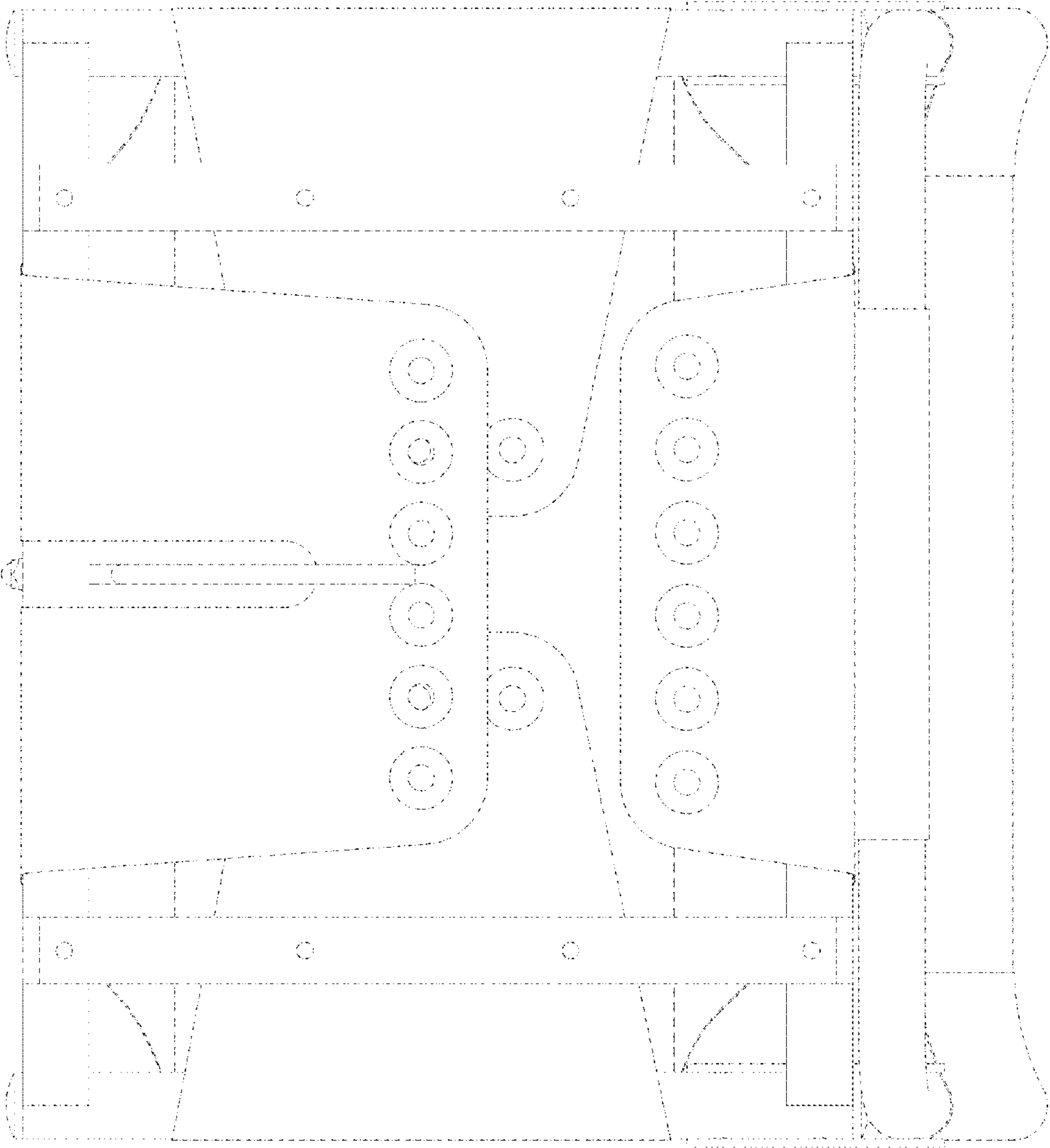


FIG. 11

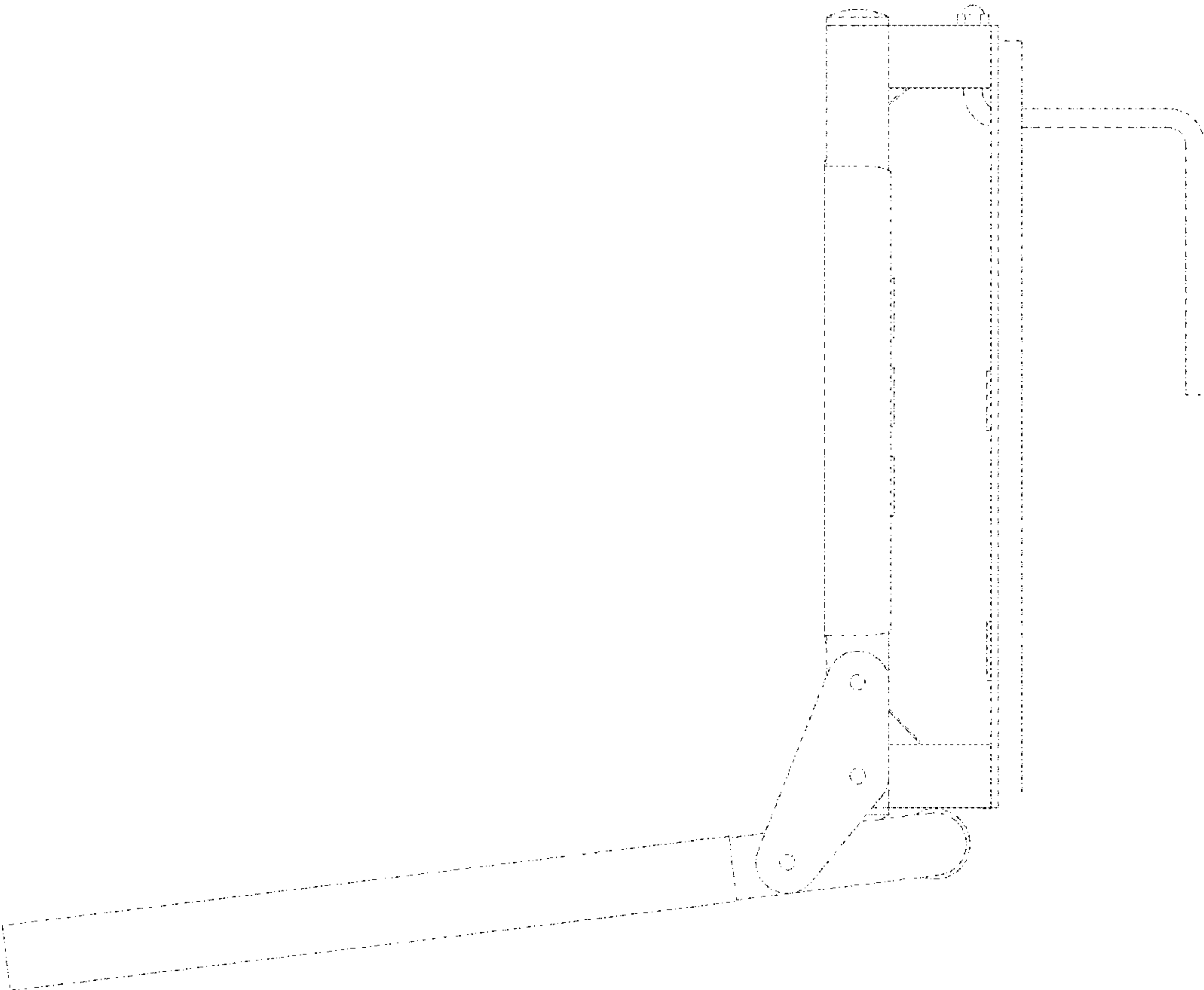


FIG. 12

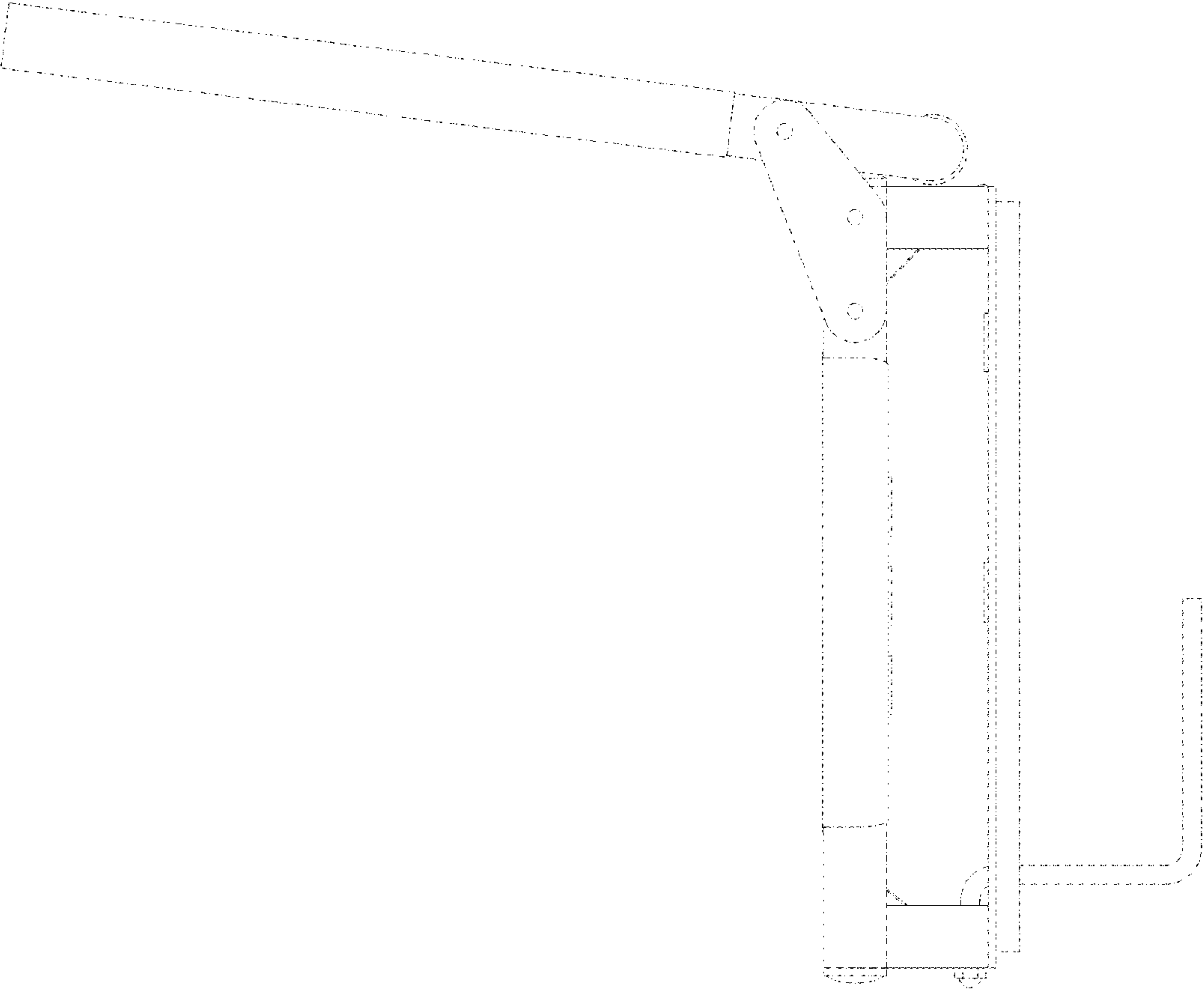


FIG. 13

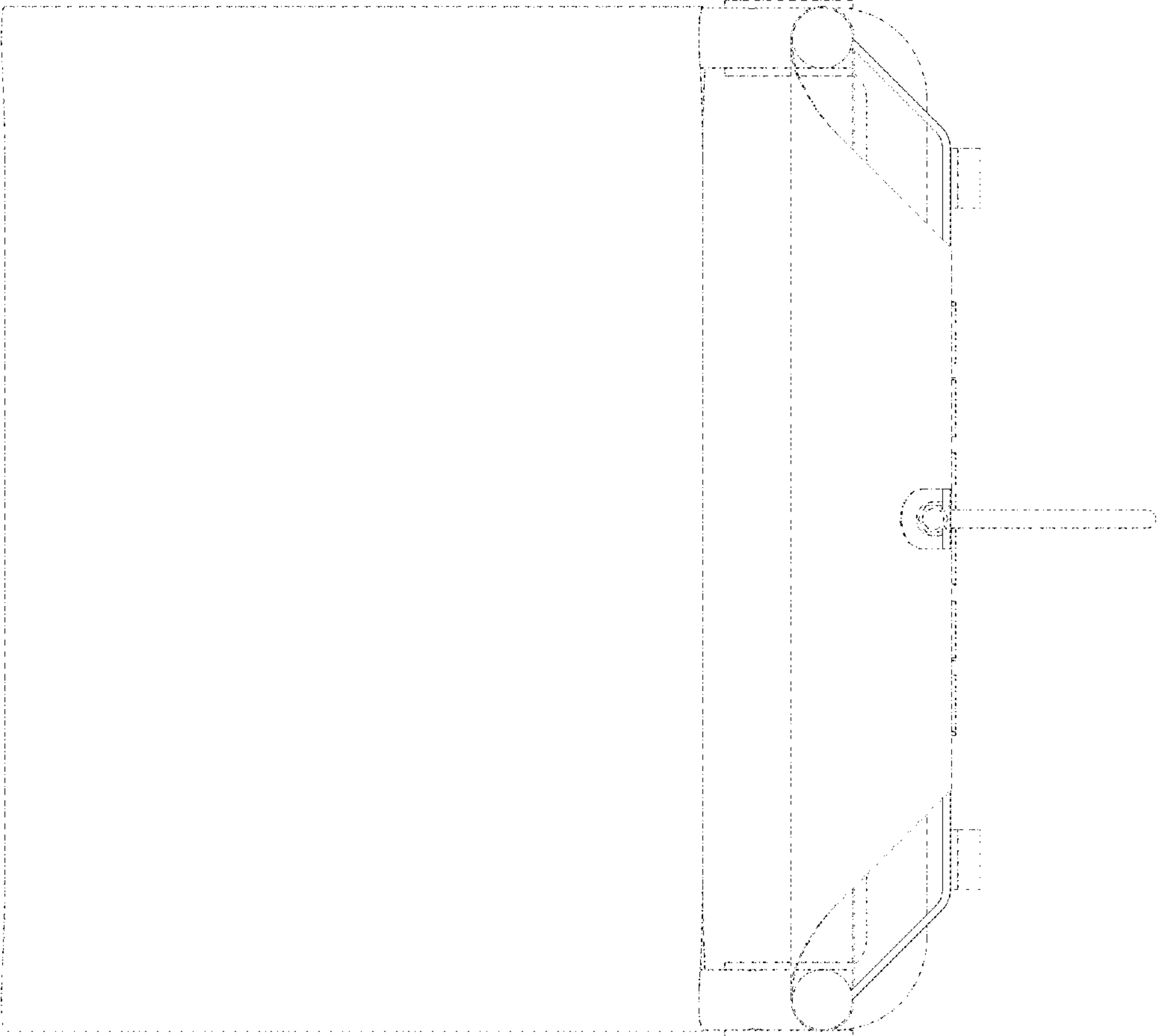


FIG. 14

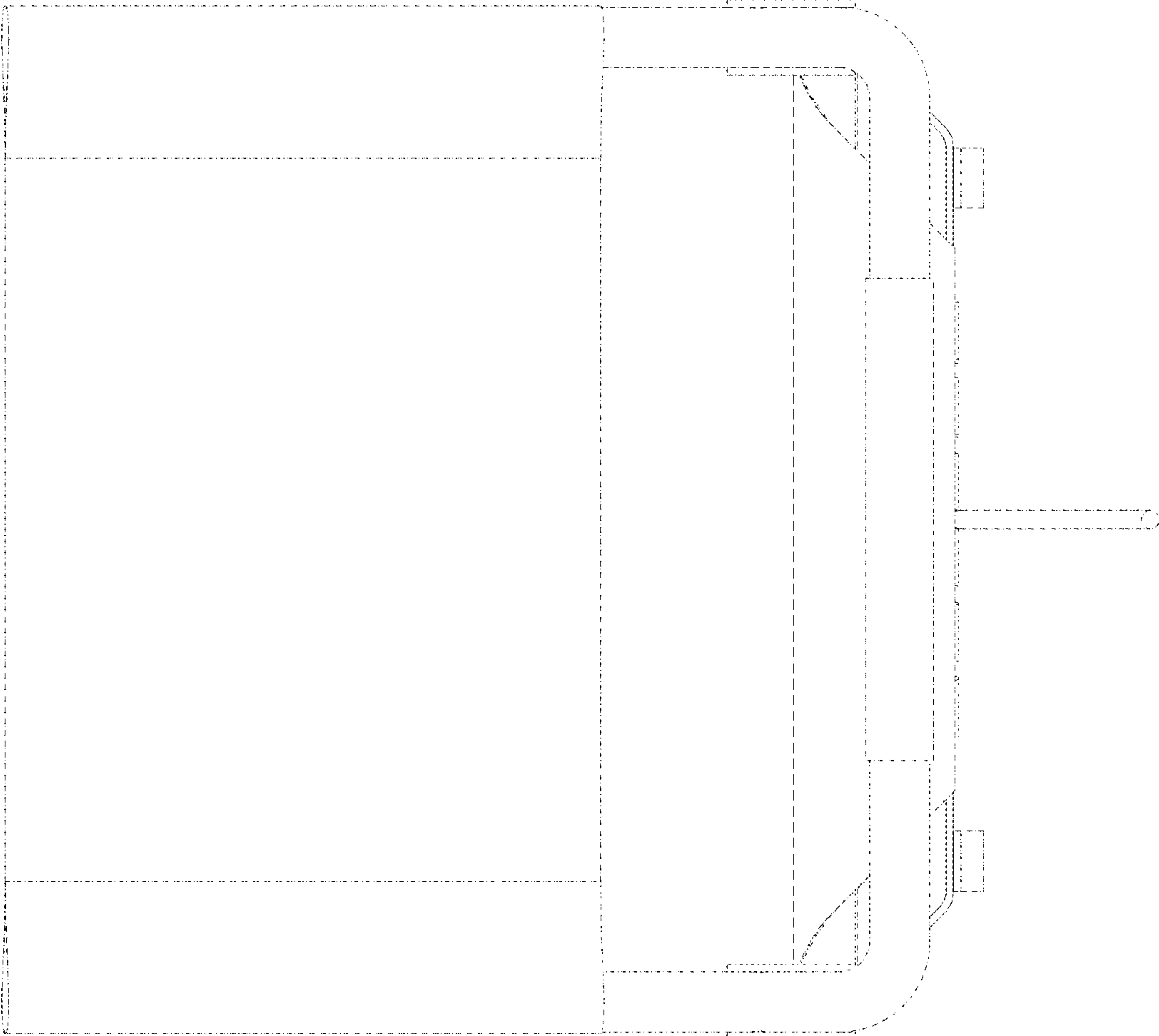


FIG. 15

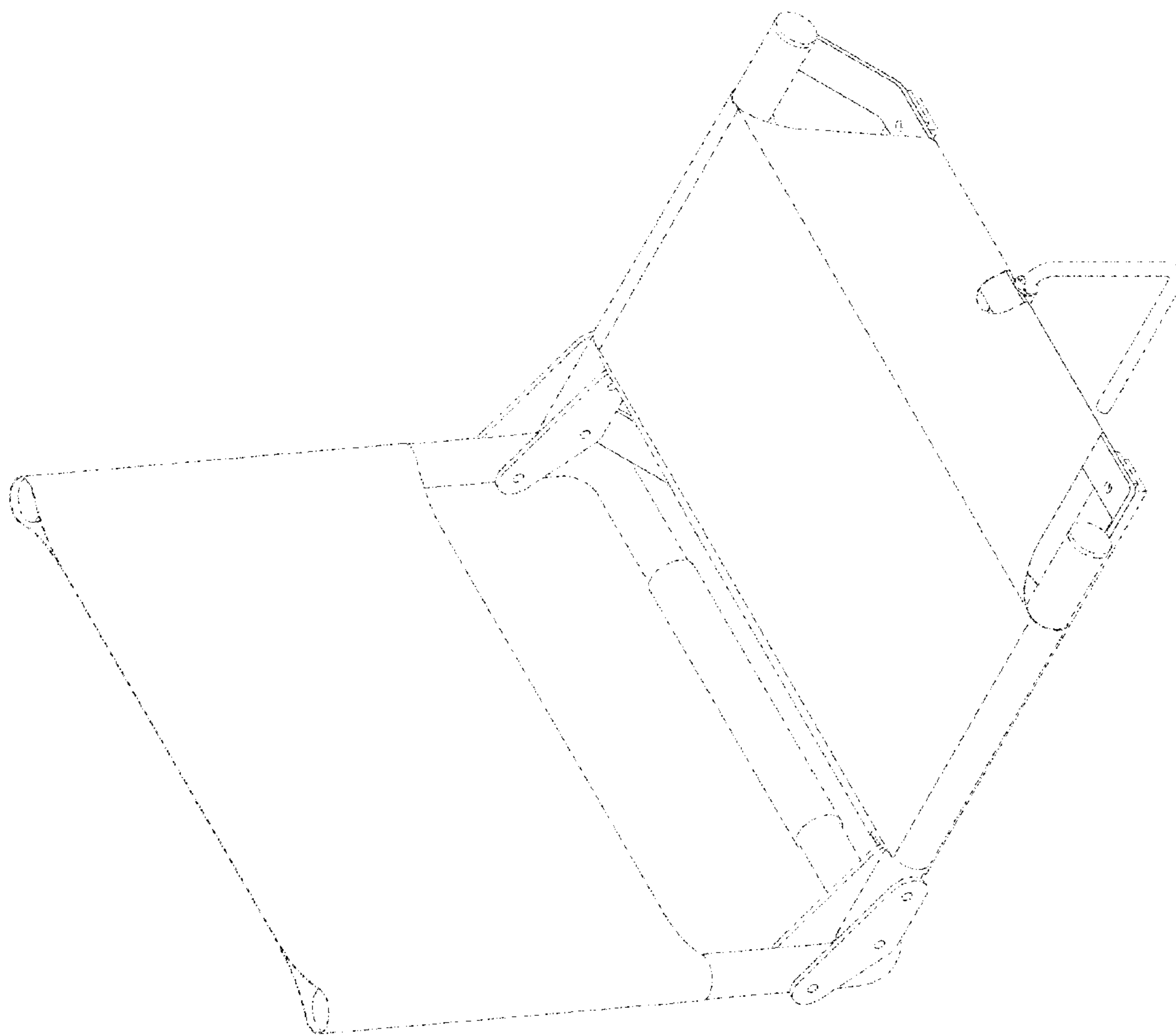


FIG. 16

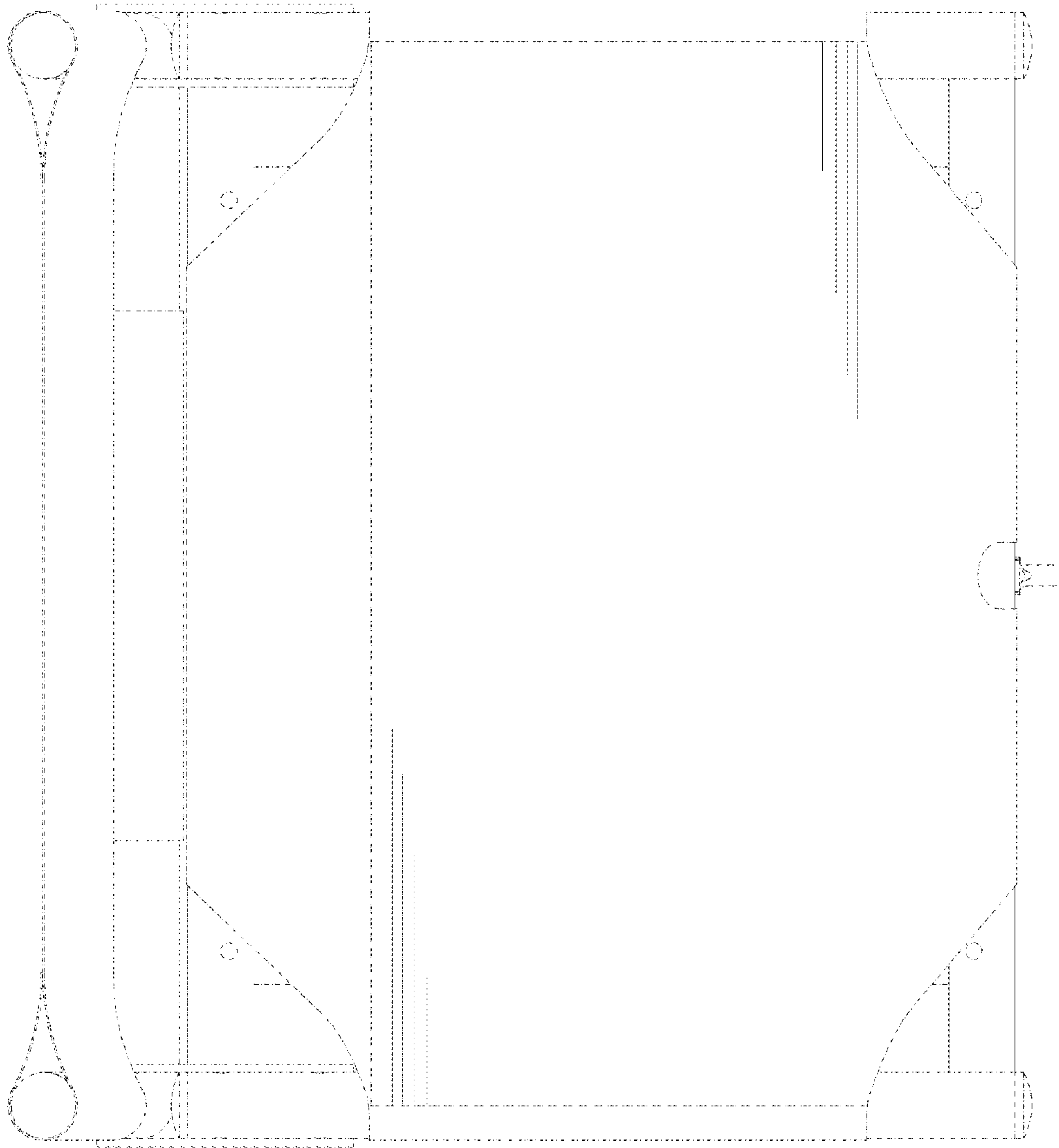


FIG. 17

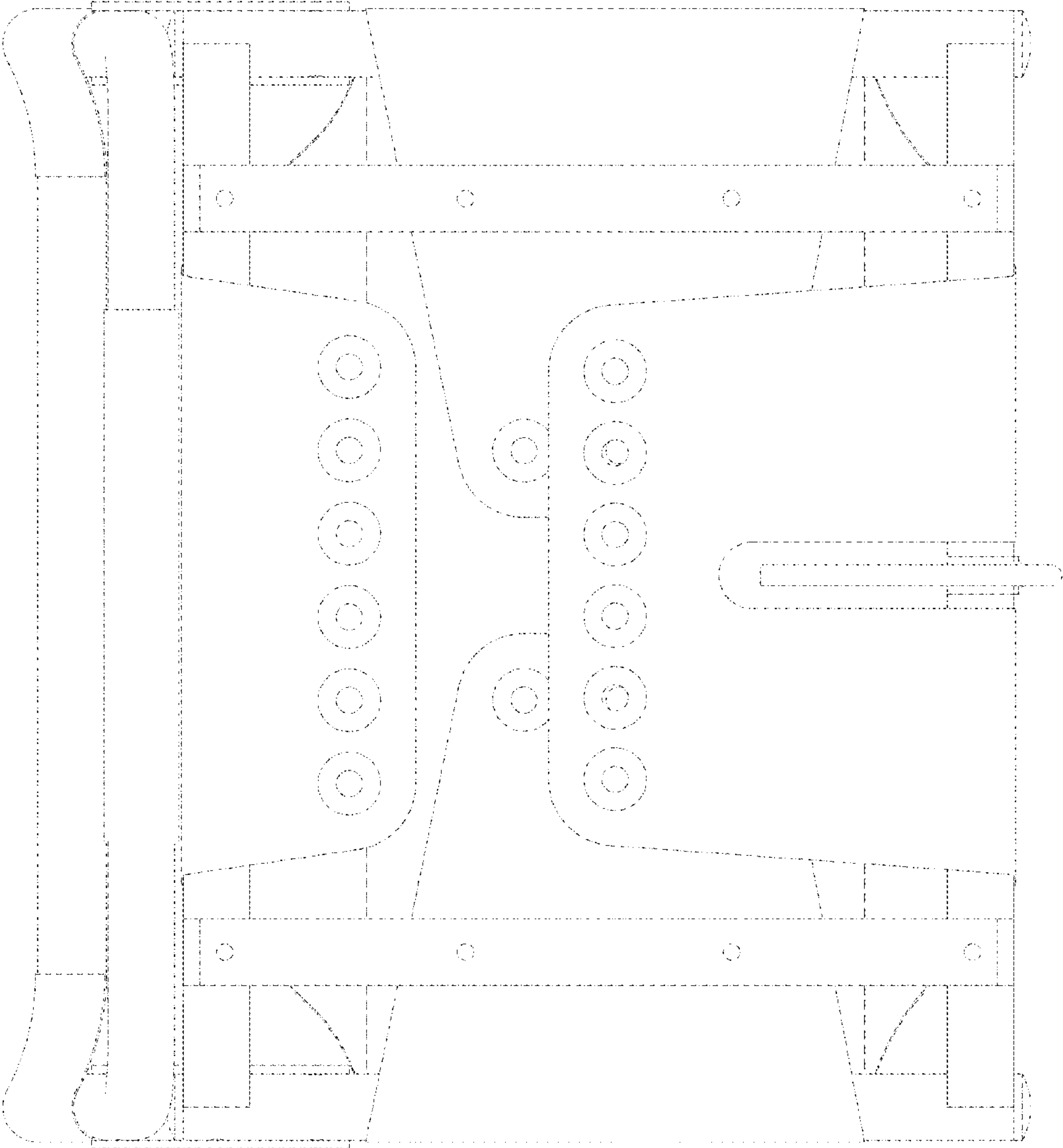


FIG. 18

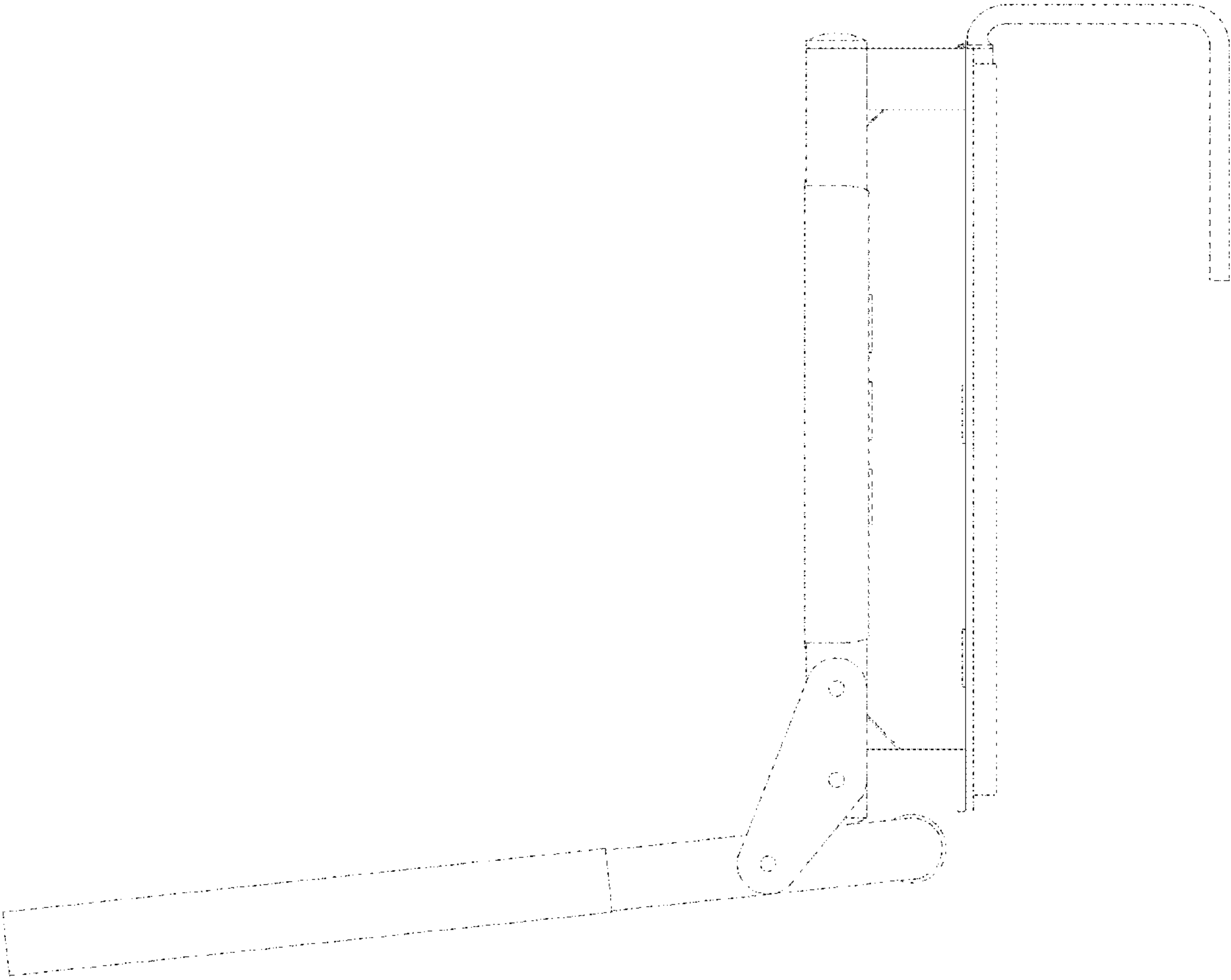


FIG. 19

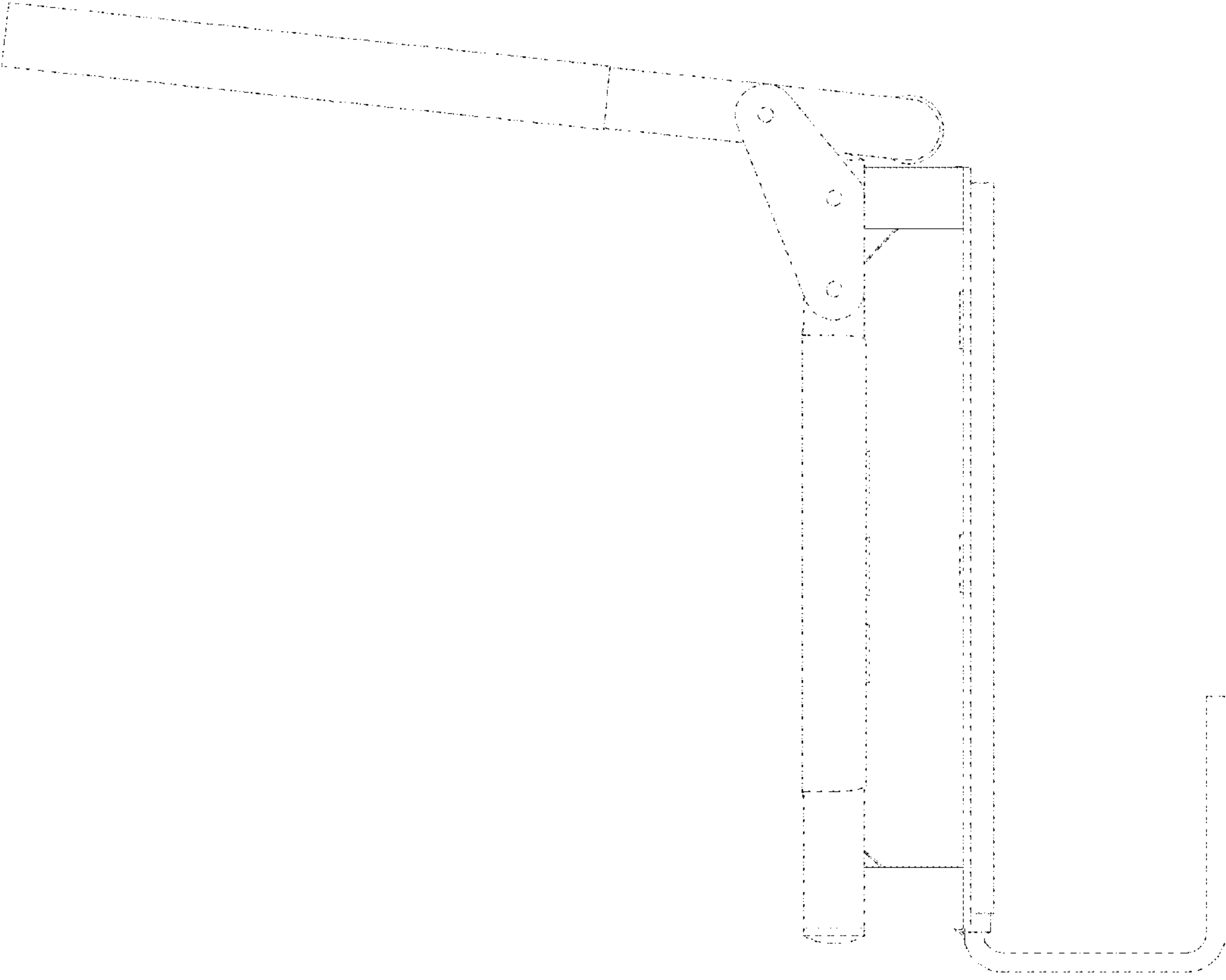


FIG. 20

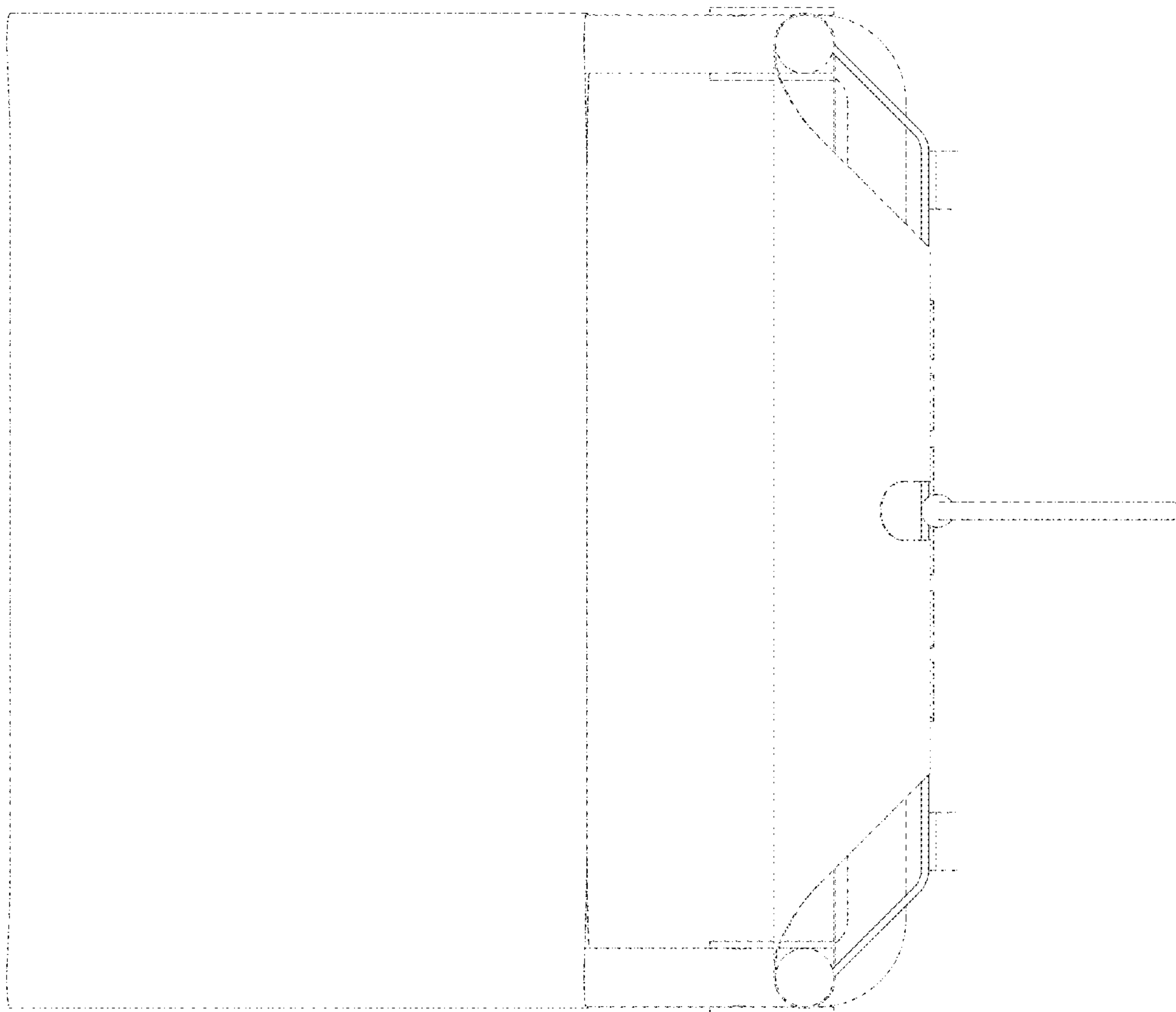


FIG. 21

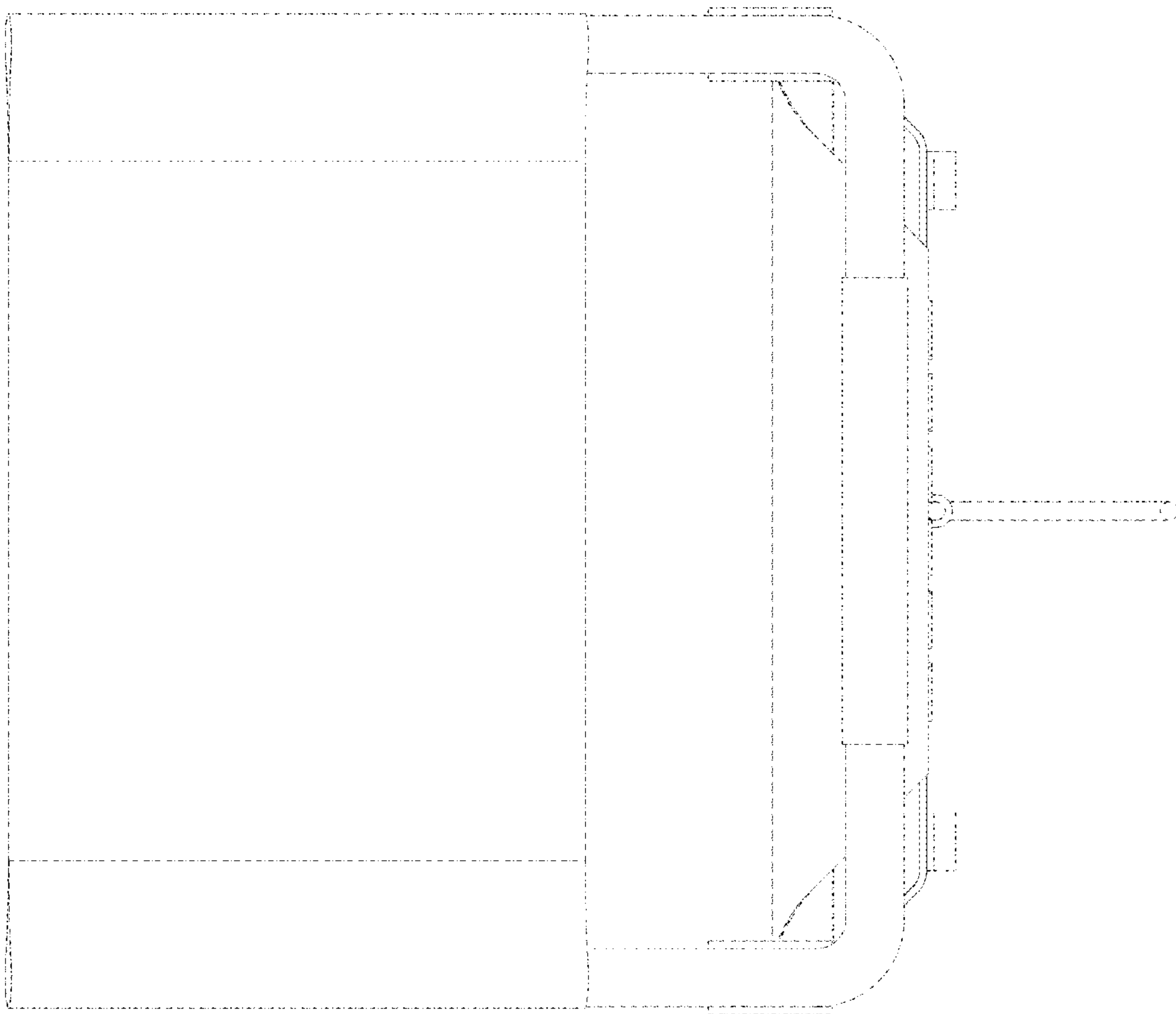


FIG. 22

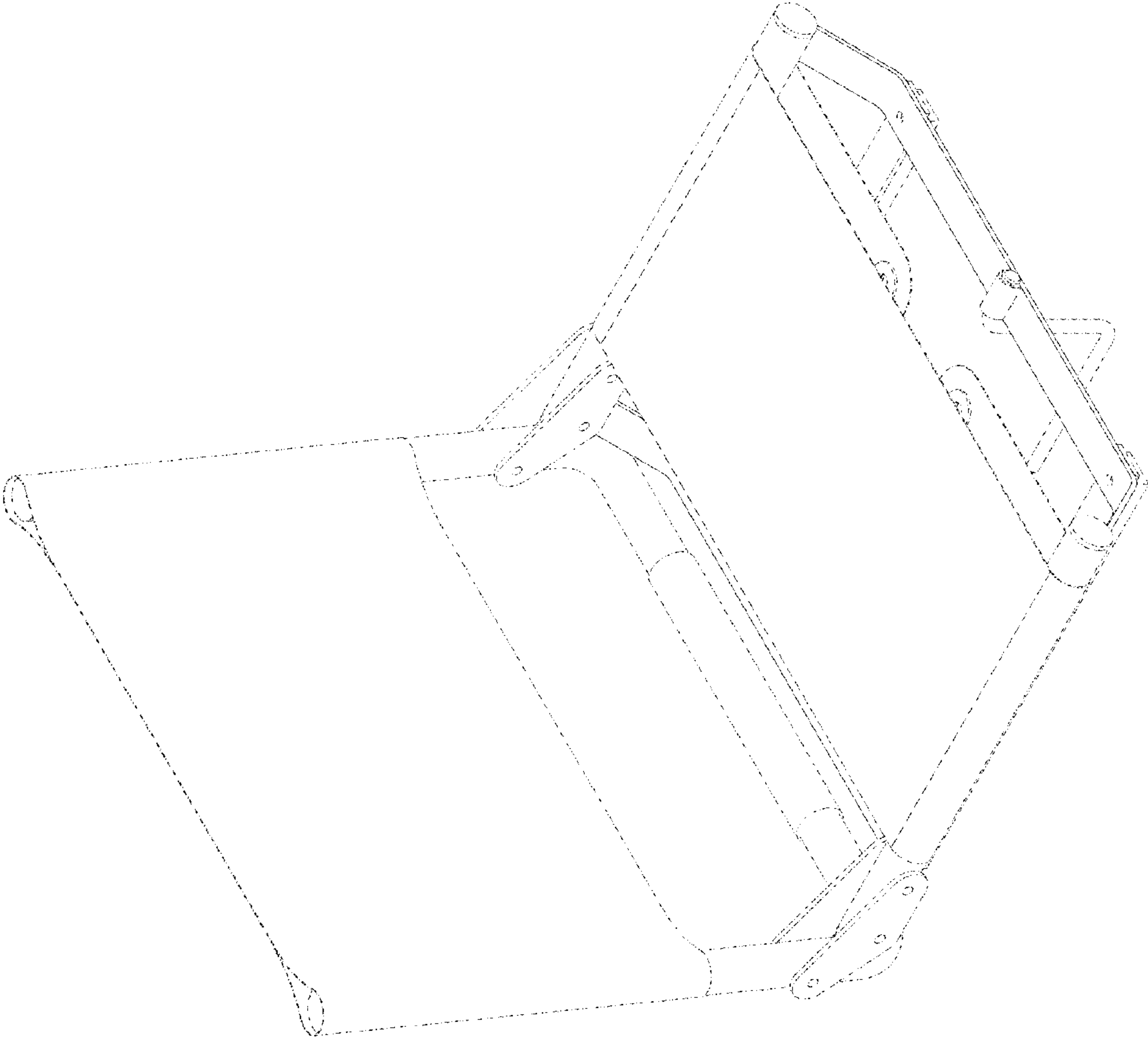


FIG. 23

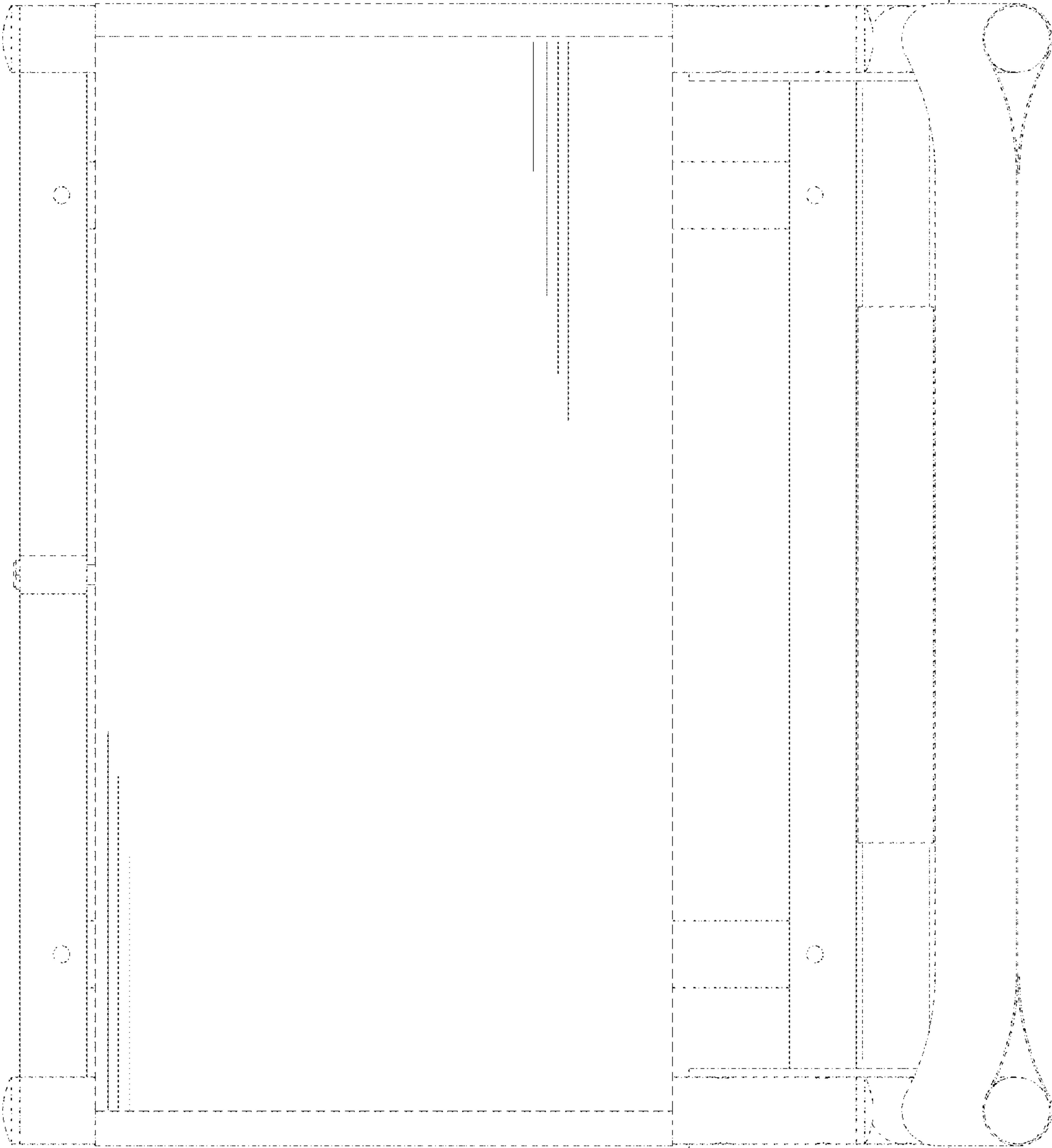


FIG. 24

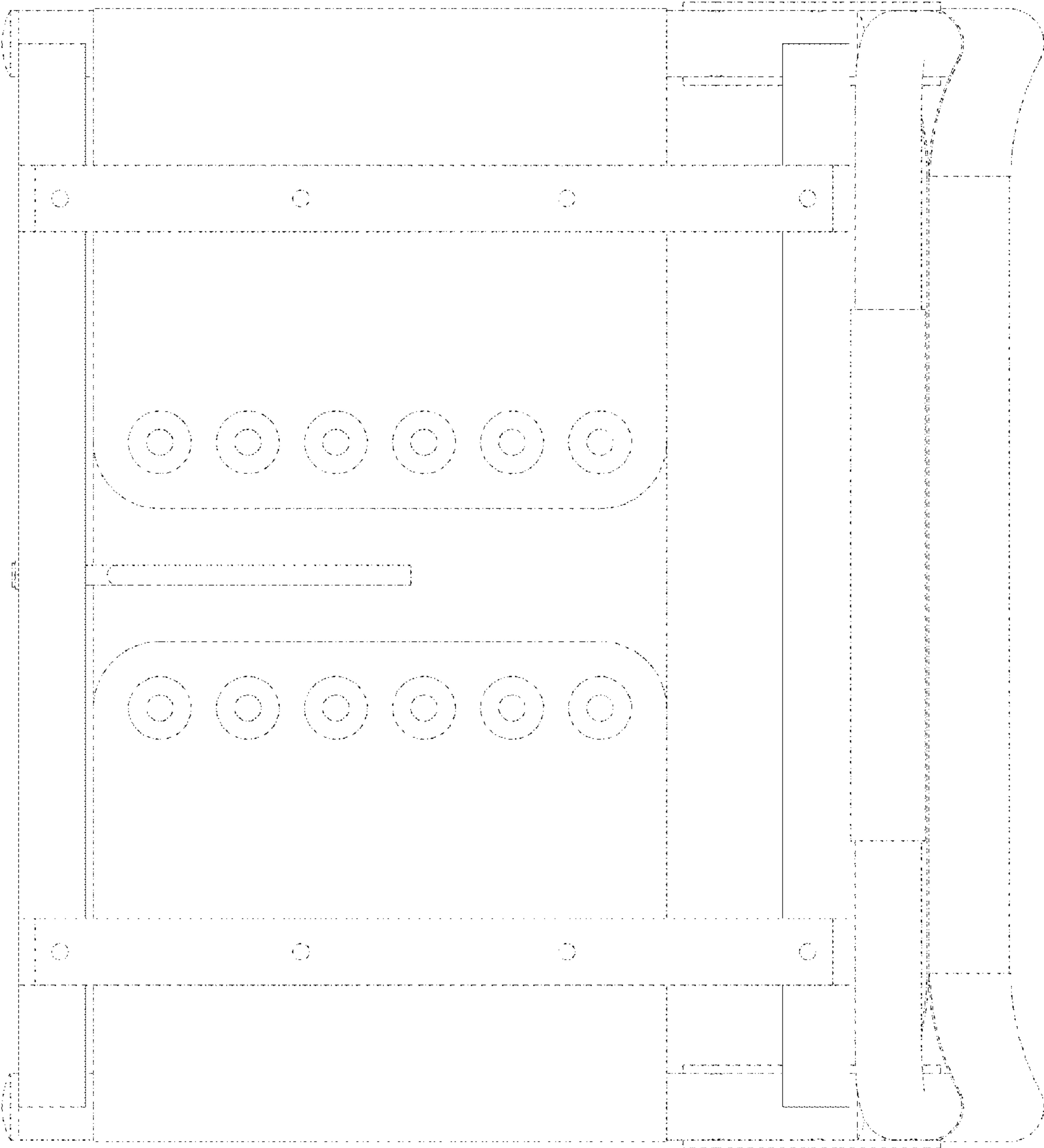


FIG. 25

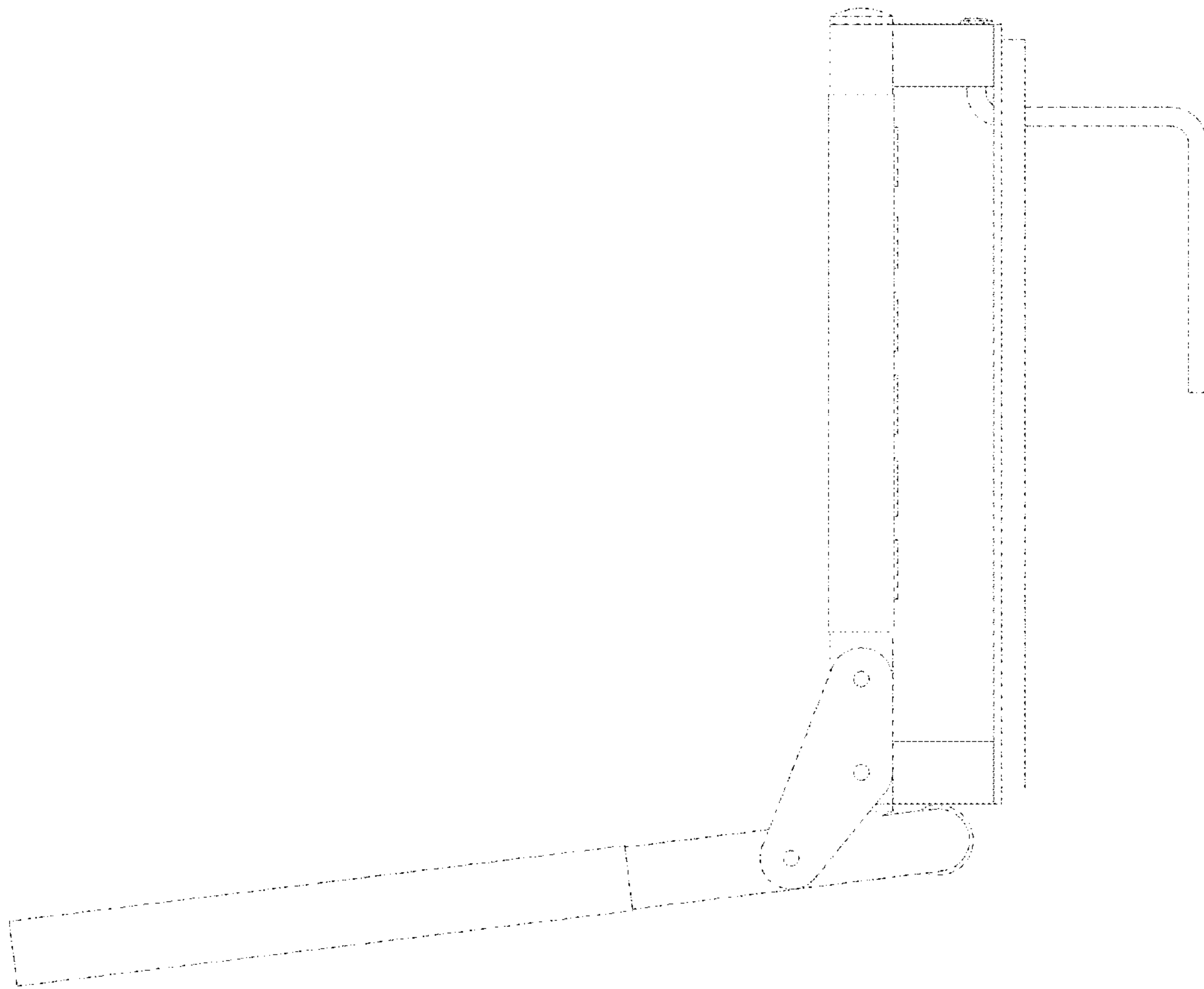


FIG. 26

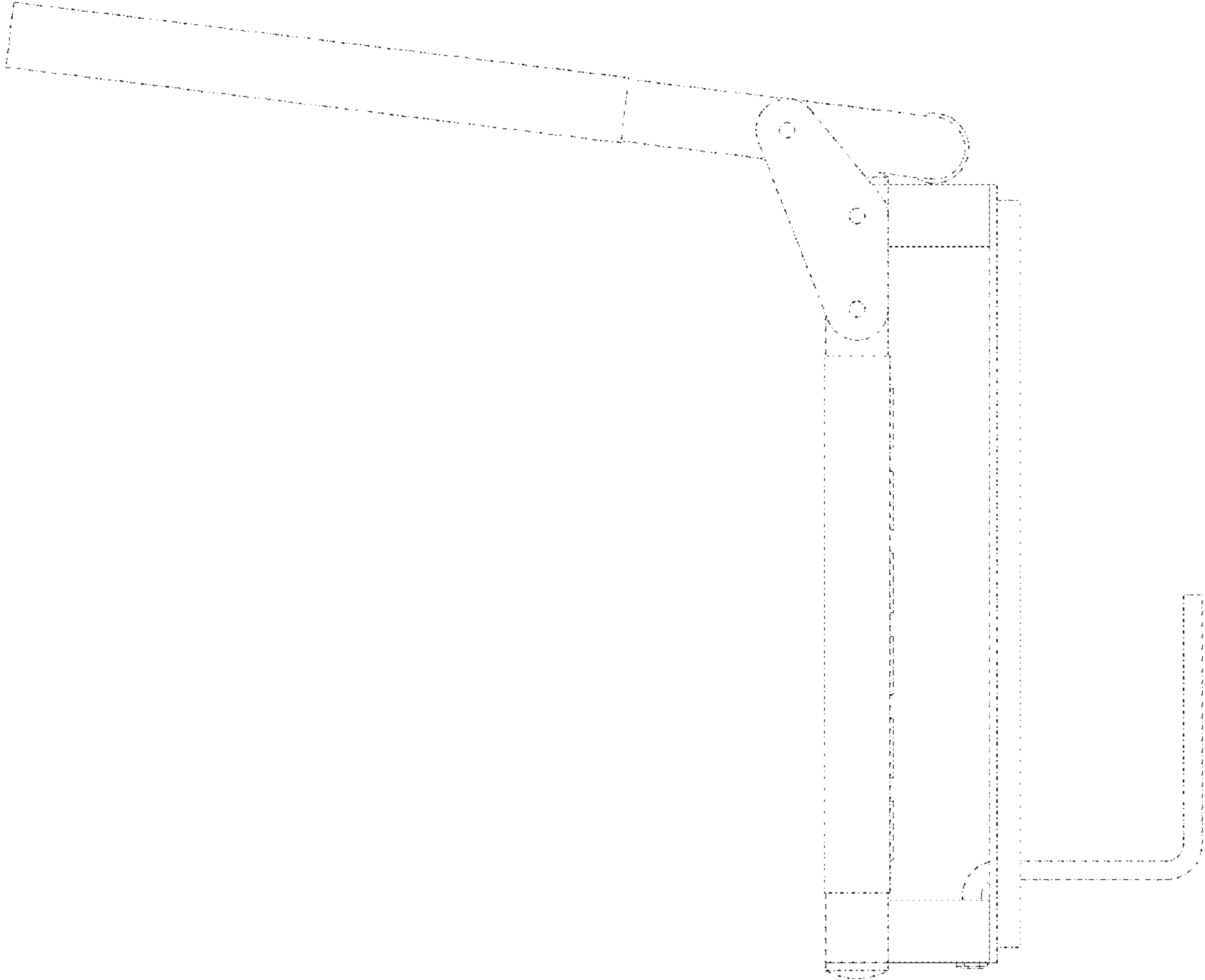


FIG. 27

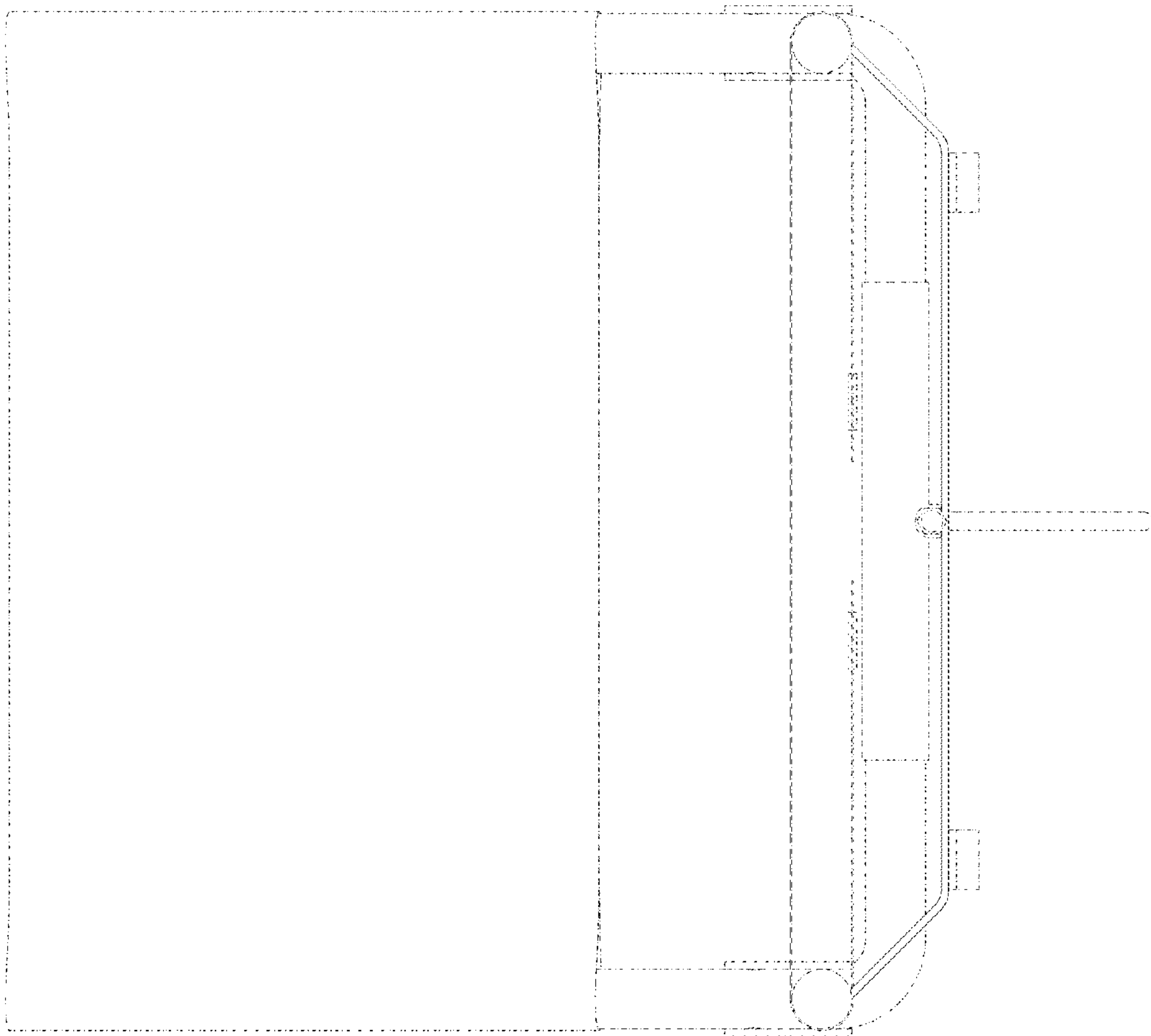


FIG. 28

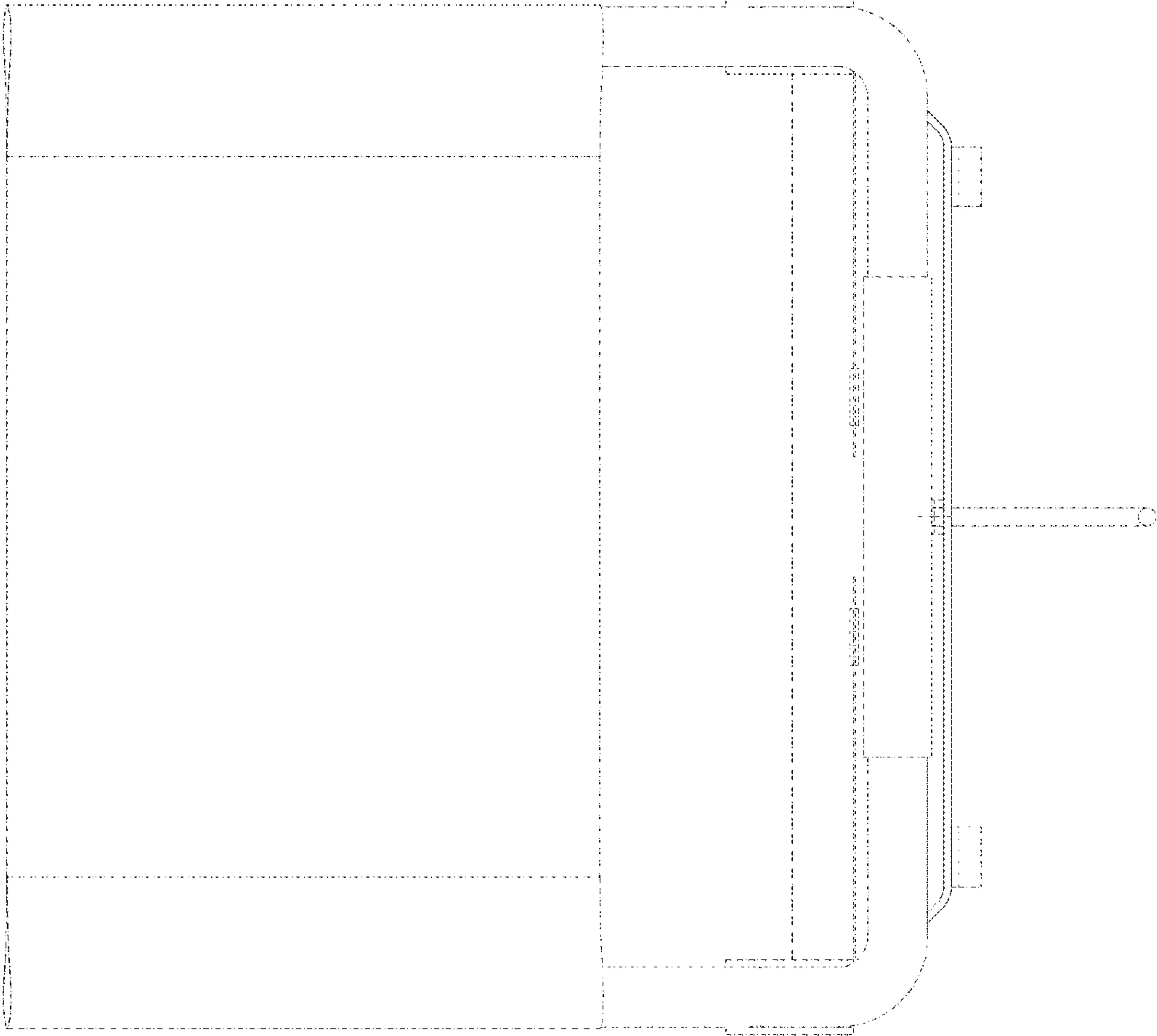


FIG. 29