



US00D713191S

(12) **United States Design Patent**  
**Akkad**

(10) **Patent No.:** **US D713,191 S**  
(45) **Date of Patent:** **\*\* Sep. 16, 2014**

(54) **MESH CHAIR**

(71) Applicant: **Idea Nuova, Inc.**, New York, NY (US)

(72) Inventor: **Benjamin S. Akkad**, New York, NY (US)

(73) Assignee: **Idea Nuova, Inc.**, New York, NY (US)

(\*\*) Term: **14 Years**

(21) Appl. No.: **29/478,866**

(22) Filed: **Jan. 9, 2014**

(51) **LOC (10) Cl.** ..... **06-01**

(52) **U.S. Cl.**  
USPC ..... **D6/716**

(58) **Field of Classification Search**  
USPC ..... D6/334–336, 348–349, 363, 366–369, D6/371–376, 379, 716, 716.1–716.4; 273/396; 297/16.1, 16.2, 31, 34, 297/45–47, 50, 56, 271.6, 314, 411.41, 297/440.11, 440.24, 448.1, 451.4, 452.12, 297/452.13; 473/197, 431, 456

See application file for complete search history.

6,883,862 B1 \* 4/2005 Yao ..... 297/16.1  
 7,011,372 B1 \* 3/2006 Hsieh ..... 297/440.24  
 7,178,864 B2 \* 2/2007 Hsieh ..... 297/45  
 7,264,245 B2 \* 9/2007 Cho ..... 273/396  
 D554,873 S \* 11/2007 Ma ..... D6/349  
 D555,378 S \* 11/2007 Tsai ..... D6/368  
 7,404,601 B2 \* 7/2008 Chen ..... 297/16.2  
 D608,104 S \* 1/2010 Vonnegut ..... D6/372  
 7,648,421 B2 \* 1/2010 Yoon ..... 473/197  
 7,938,489 B2 \* 5/2011 Nazari ..... 297/314  
 D649,800 S \* 12/2011 Lievore et al. .... D6/373  
 D656,326 S \* 3/2012 Soewondo ..... D6/348  
 8,282,509 B1 \* 10/2012 Michaelson et al. .... 473/456  
 D677,920 S \* 3/2013 Christakos ..... D6/368  
 D681,970 S \* 5/2013 Christakos ..... D6/368  
 D683,156 S \* 5/2013 Christakos ..... D6/368  
 D688,057 S \* 8/2013 Christakos ..... D6/368  
 D691,384 S \* 10/2013 Akkad ..... D6/368  
 2002/0183128 A1 \* 12/2002 Cho ..... 473/197  
 2003/0060309 A1 \* 3/2003 Smith, IV ..... 473/431  
 2005/0088018 A1 \* 4/2005 Yao ..... 297/16.1  
 2007/0187998 A1 \* 8/2007 Chen ..... 297/45

\* cited by examiner

*Primary Examiner* — Ricky Pham

(74) *Attorney, Agent, or Firm* — Panitch Schwarze Belisario & Nadel LLP

(57) **CLAIM**

The ornamental design for a mesh chair, as shown and described.

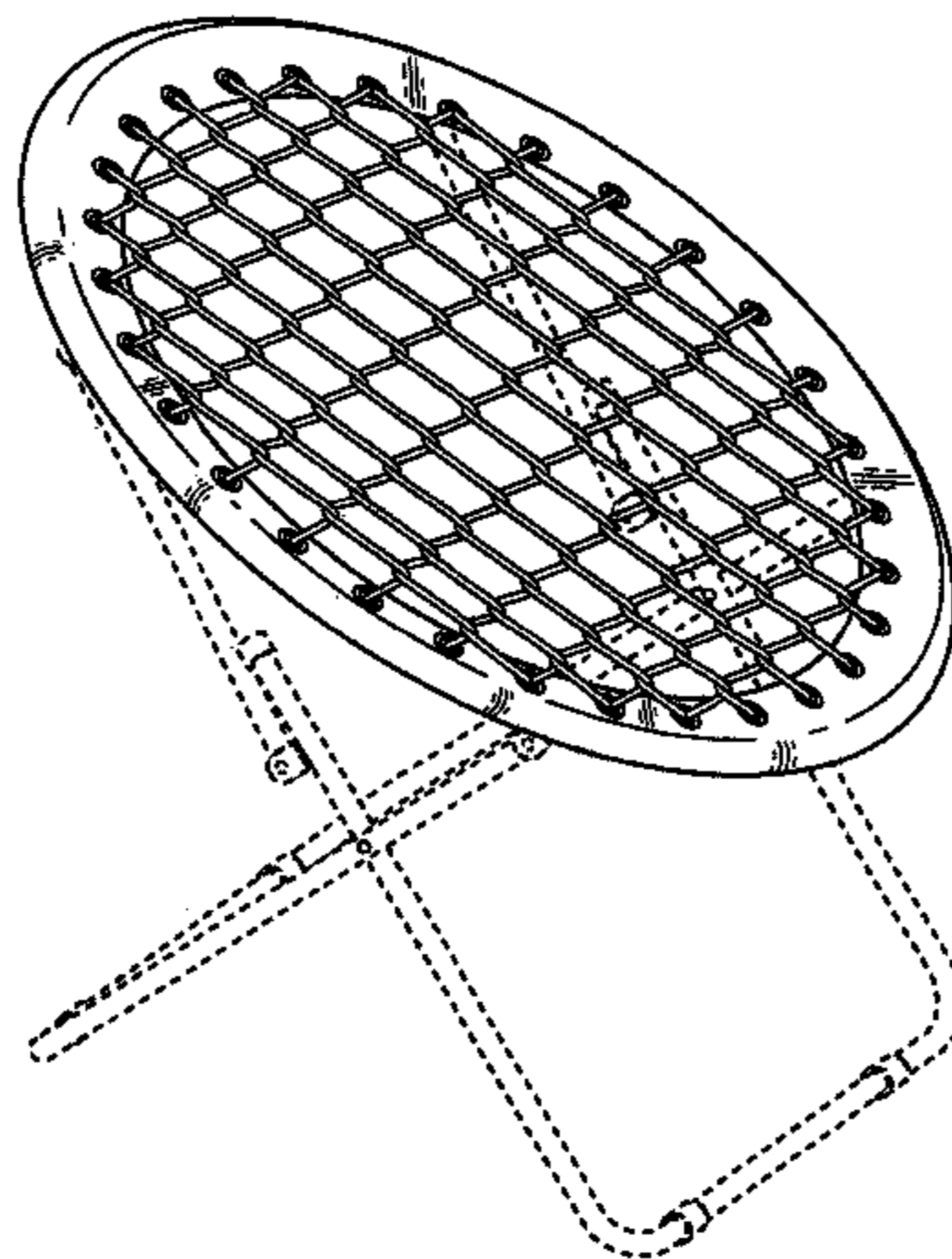
**DESCRIPTION**

FIG. 1 is a front perspective view of a mesh chair in accordance with a preferred embodiment of my new design; FIG. 2 is a right side elevation view thereof, a left side elevation view thereof being a mirror image; FIG. 3 is a top plan view thereof; FIG. 4 is a front elevation view thereof; FIG. 5 is a bottom plan view thereof; and, FIG. 6 is a rear elevation view thereof. The broken lines in the figures are for the purpose of showing environmental structure and form no part of the claimed design.

**1 Claim, 3 Drawing Sheets**

(56) **References Cited**  
U.S. PATENT DOCUMENTS

D168,212 S \* 11/1952 Cicchelli ..... D6/379  
 D171,265 S \* 1/1954 Phillips ..... D6/375  
 2,684,709 A \* 7/1954 Schawinsky ..... 297/411.41  
 2,723,712 A \* 11/1955 Yellen ..... 297/440.11  
 D179,376 S \* 12/1956 Breed ..... D6/366  
 D184,202 S \* 12/1958 Yuen ..... D6/369  
 2,930,430 A \* 3/1960 Bloom ..... 297/271.6  
 3,180,685 A \* 4/1965 Rogalski et al. .... 297/440.24  
 3,656,808 A \* 4/1972 Chang ..... 297/451.4  
 3,694,030 A \* 9/1972 Grosfillex ..... 297/448.1  
 D292,048 S \* 9/1987 Shaffer ..... D6/363  
 6,554,717 B2 \* 4/2003 Cho ..... 473/197  
 6,824,207 B1 \* 11/2004 Lin ..... 297/16.1  
 D499,258 S \* 12/2004 Tseng ..... D6/368  
 6,840,573 B1 \* 1/2005 Yao ..... 297/16.1  
 6,848,740 B1 \* 2/2005 Reese ..... 297/16.1  
 6,877,814 B2 \* 4/2005 Lin ..... 297/440.24



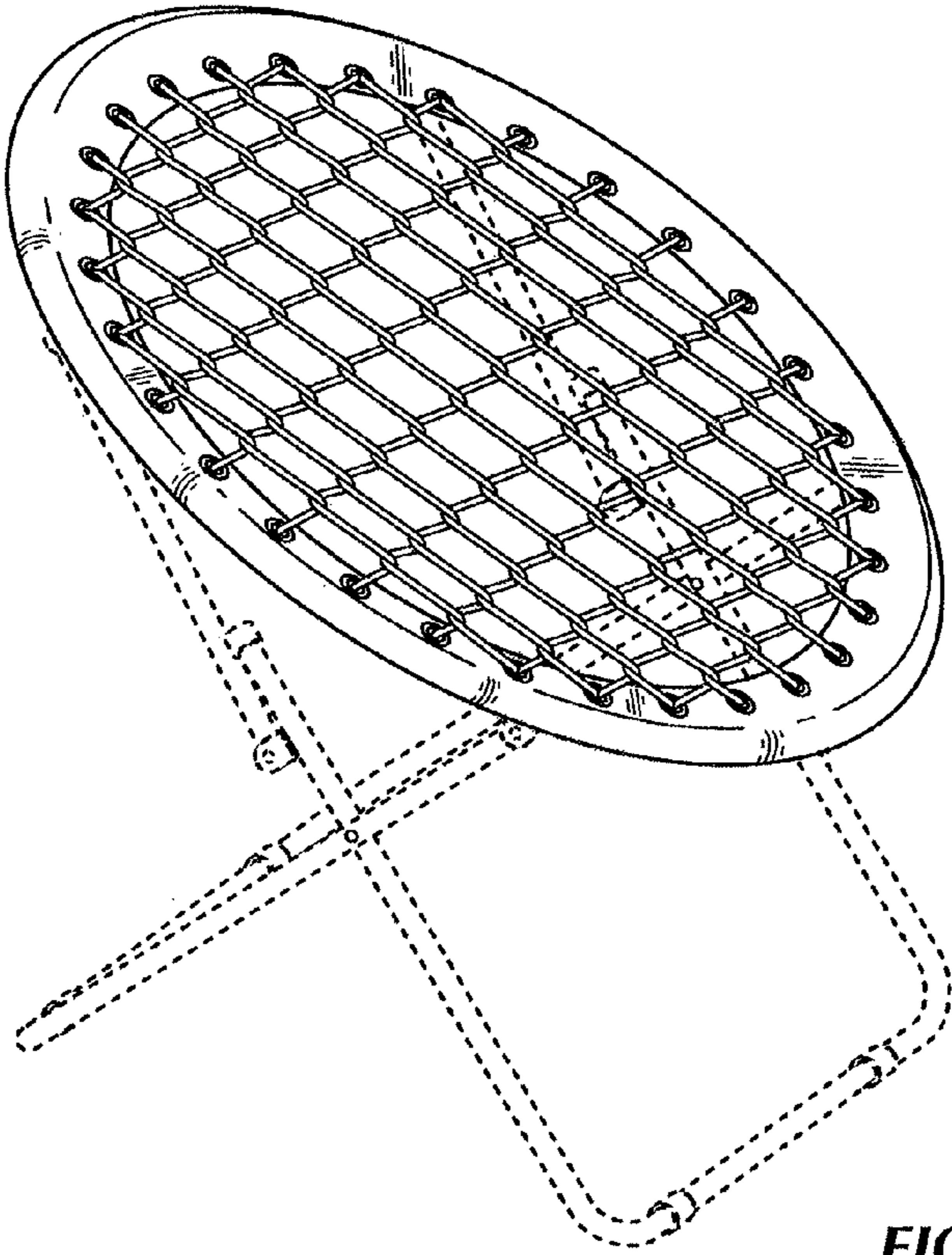


FIG. 1

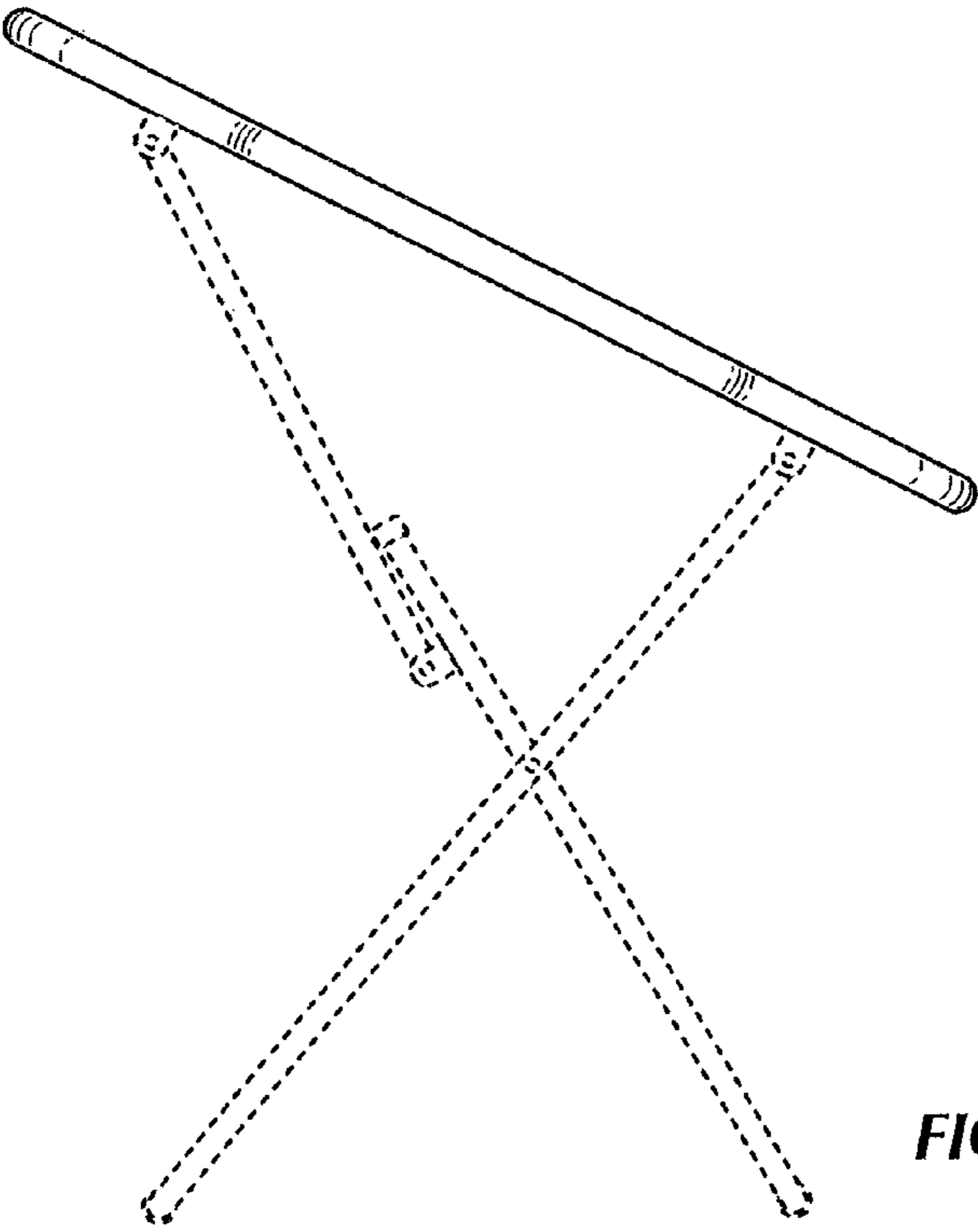


FIG. 2



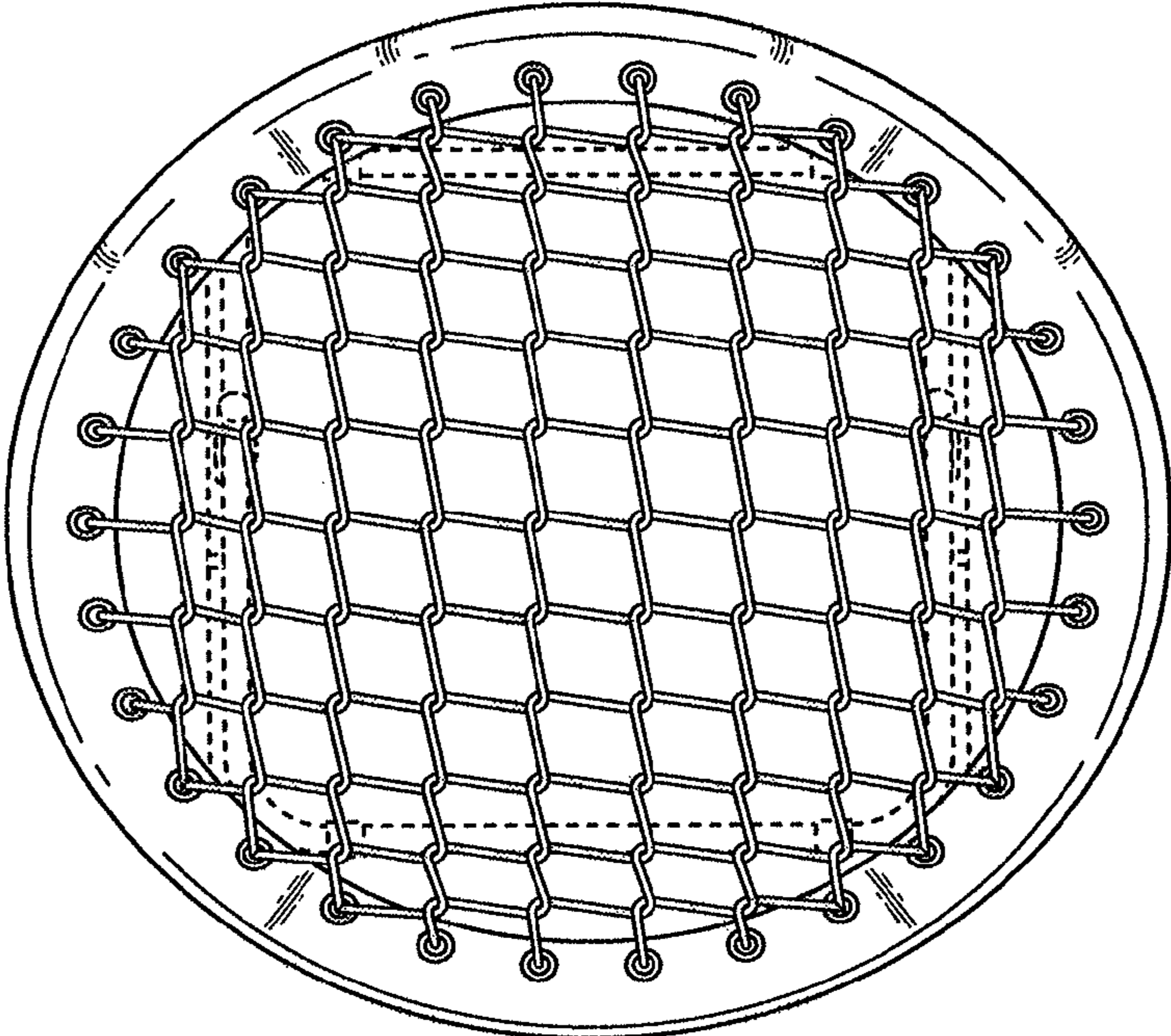


FIG. 3

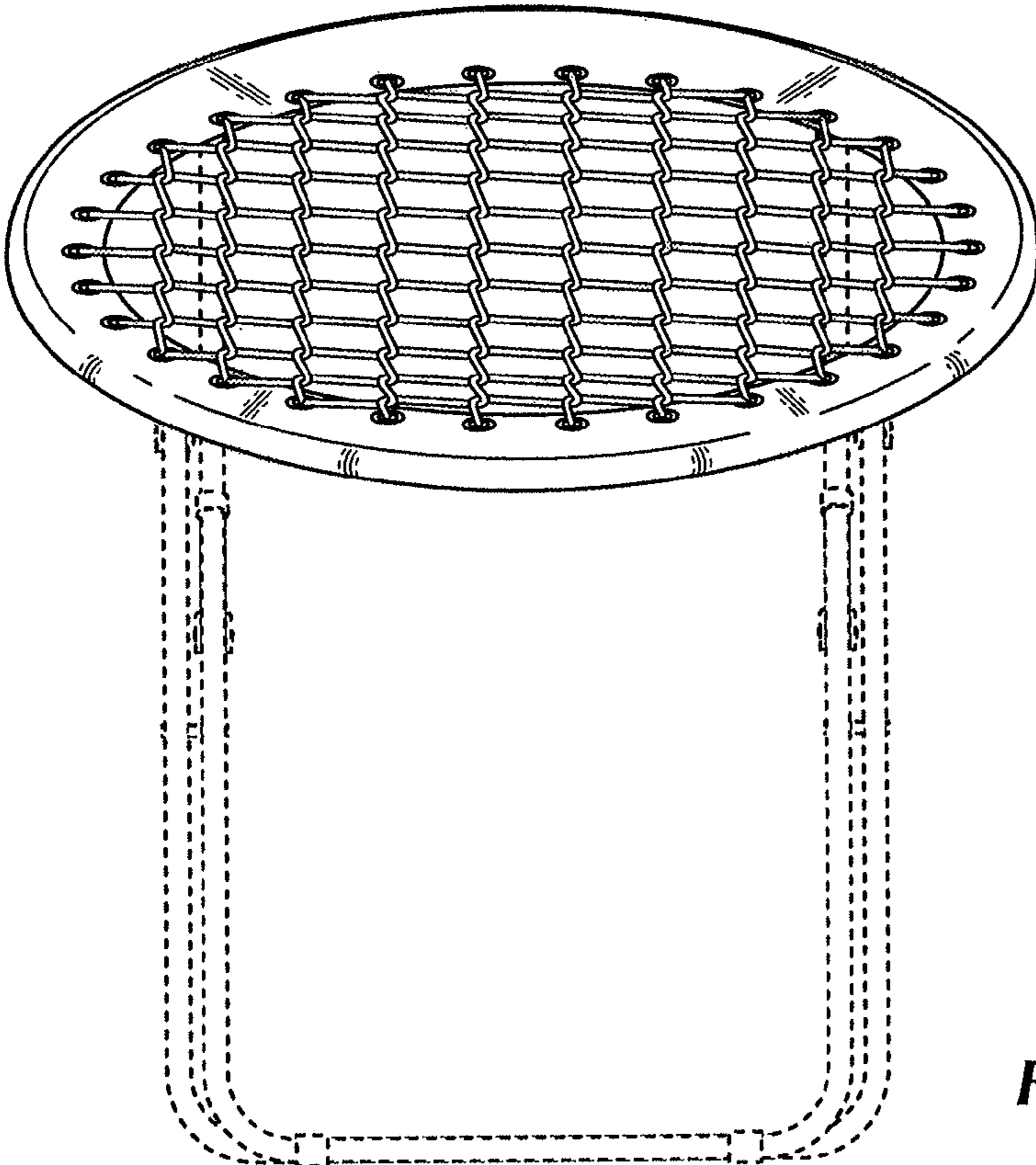


FIG. 4

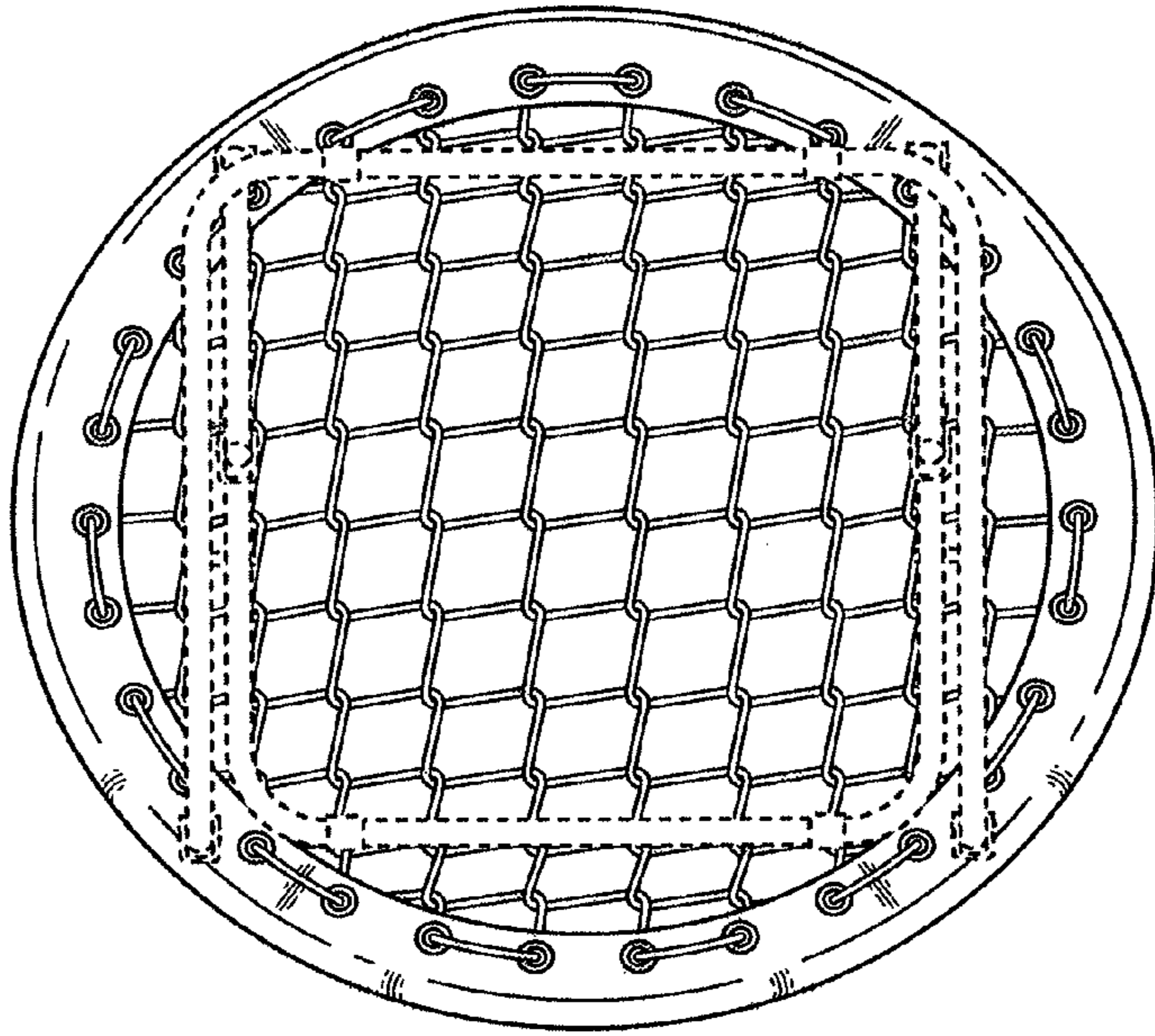


FIG. 5

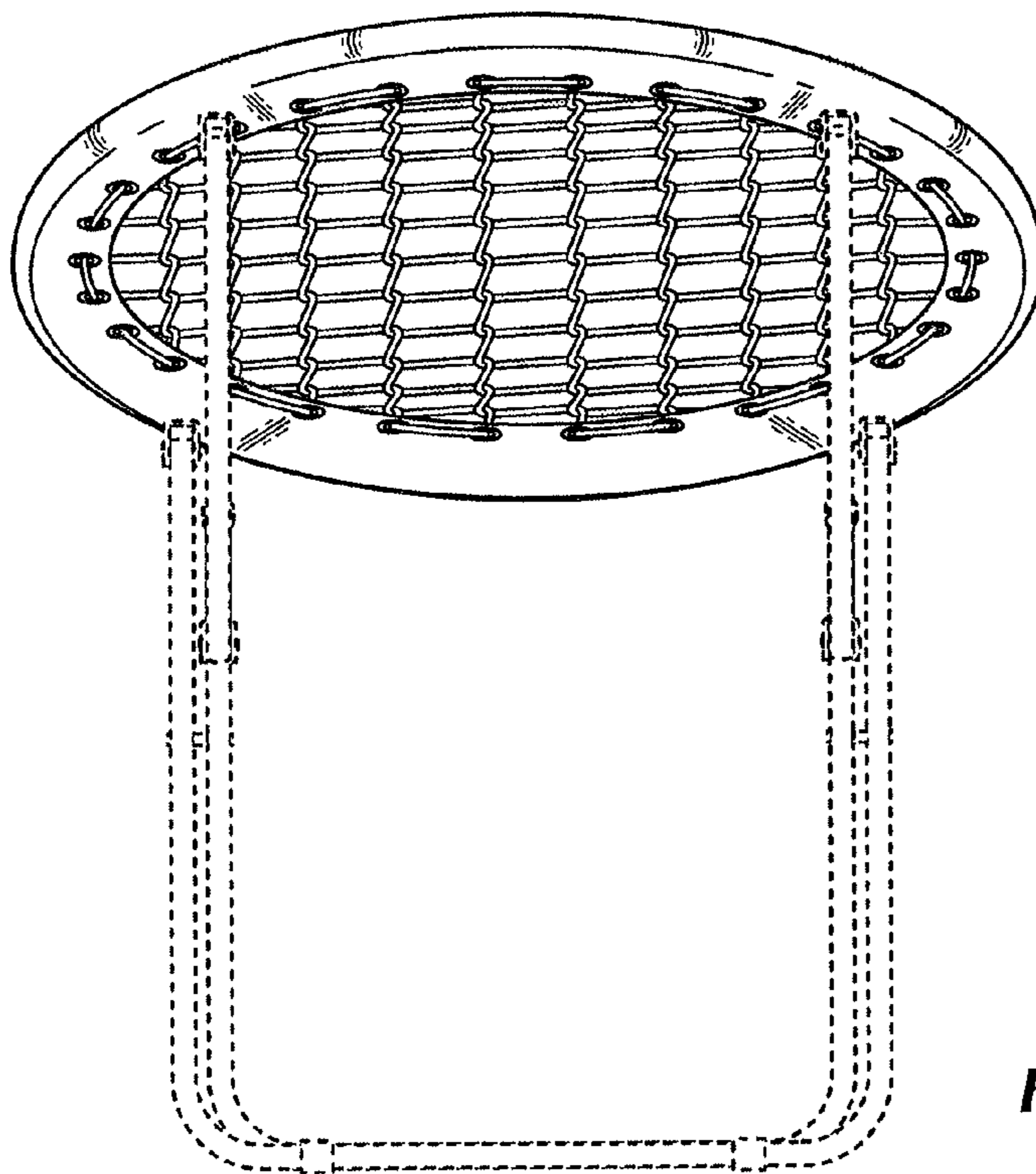


FIG. 6