



US00D713190S

(12) **United States Design Patent**  
**Behar et al.**

(10) **Patent No.:** **US D713,190 S**

(45) **Date of Patent:** **\*\* Sep. 16, 2014**

(54) **BENCH**

(71) Applicant: **Landscape Forms, Inc.**, Kalamazoo, MI (US)

(72) Inventors: **Yves Behar**, San Francisco, CA (US); **Joshua Tree Morenstein**, San Francisco, CA (US); **Nick Cronan**, Oakland, CA (US); **Liam Adelman**, San Francisco, CA (US)

(73) Assignee: **Landscape Forms, Inc.**, Kalamazoo, MI (US)

(\*\*) Term: **14 Years**

(21) Appl. No.: **29/448,519**

(22) Filed: **Mar. 13, 2013**

(51) **LOC (10) Cl.** ..... **06-01**

(52) **U.S. Cl.**  
USPC ..... **D6/709.22; D6/370**

(58) **Field of Classification Search**

CPC ..... A47C 1/14; A47C 3/16-3/20; A47C 4/00; A47C 4/28; A47C 5/02; A47C 7/02; A47C 9/02; A47C 9/002; A47C 9/007; A47C 9/025; A47C 11/00; A47C 12/00; A47C 13/00; A47C 16/02

USPC ..... D6/685, 687, 688, 690, 691-691.6, 692, D6/692.4, 694, 703.15, 708.21, 708.22, D6/709.22, 716-716.7, 717

See application file for complete search history.

(56) **References Cited**

**U.S. PATENT DOCUMENTS**

D146,378 S \* 2/1947 Obrig ..... D6/349  
D166,660 S \* 5/1952 Curtis ..... D6/373  
D213,496 S \* 3/1969 Wormser ..... D6/349  
D244,239 S \* 5/1977 Laroye ..... D6/373  
D303,877 S \* 10/1989 Norton ..... D6/349

D344,417 S \* 2/1994 Schwartz ..... D6/373  
D365,937 S \* 1/1996 Skalka ..... D6/370  
D512,229 S \* 12/2005 Reza-Hadden ..... D6/355  
D532,210 S \* 11/2006 McCurry ..... D6/349  
D532,983 S \* 12/2006 McCurry ..... D6/349  
D602,271 S \* 10/2009 Schwartz et al. .... D6/355  
D624,335 S \* 9/2010 Lutz et al. .... D6/480

**OTHER PUBLICATIONS**

MultipliCITY Data Sheet. [online] Retrieved Jun. 10, 2014 from URL: <[http://www.landscapeforms.com/en-US/Product°20Data/LF\\_MultipliCITY-Bench\\_ProductData.pdf](http://www.landscapeforms.com/en-US/Product%20Data/LF_MultipliCITY-Bench_ProductData.pdf)>.\*

(Continued)

*Primary Examiner* — Susan Bennett Hattan

*Assistant Examiner* — Vy Koenig

(74) *Attorney, Agent, or Firm* — Heslin Rothenberg Farley & Mesiti P.C.

(57) **CLAIM**

The ornamental design for a bench, as shown and described.

**DESCRIPTION**

FIG. 1 is a perspective view of a first embodiment of the bench of the present invention;

FIG. 2 is a front elevation view thereof, the rear elevation view being identical thereto;

FIG. 3 is a right side elevation view thereof, the left side elevation view being identical thereto;

FIG. 4 is a top plan view thereof;

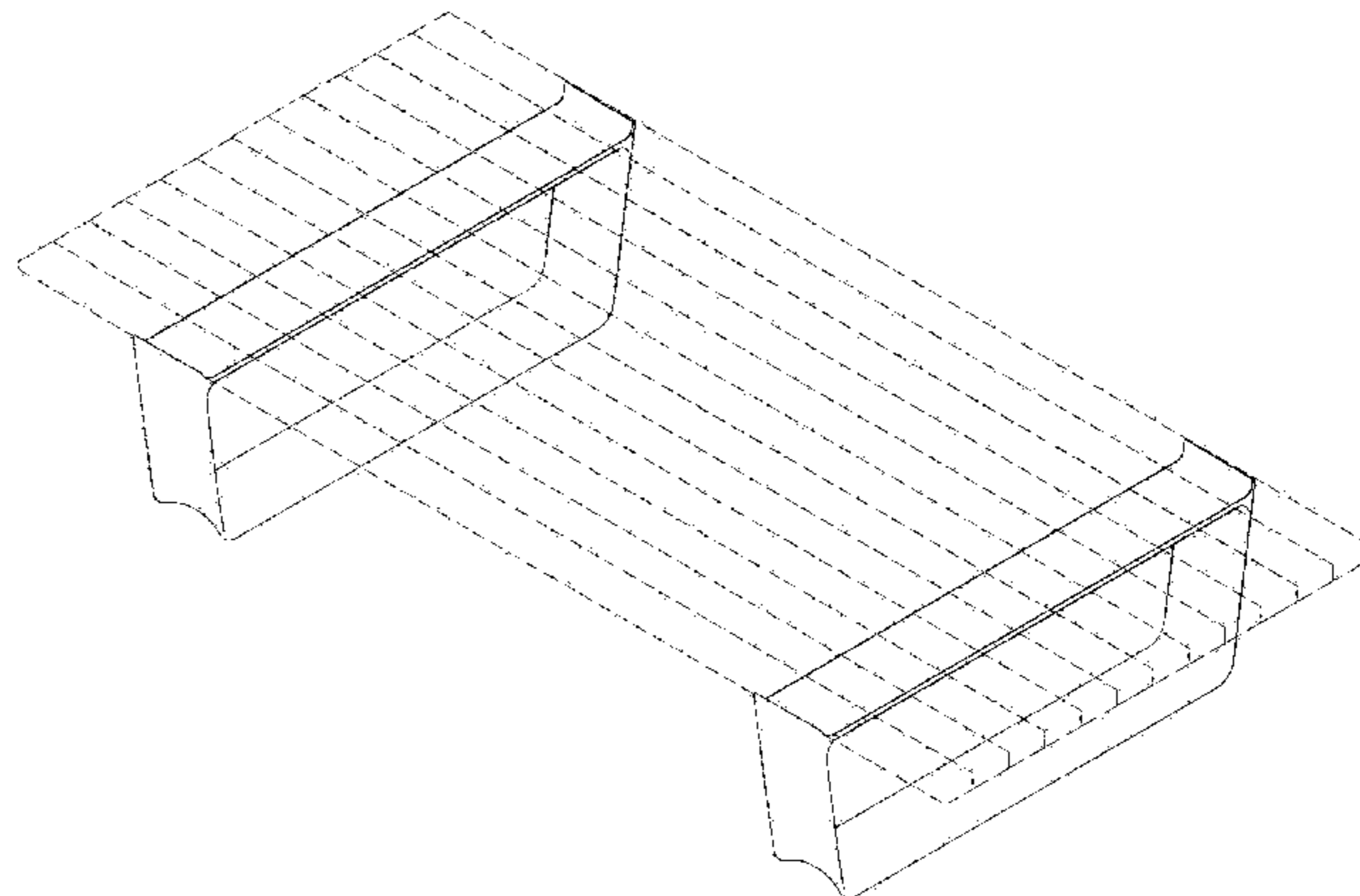
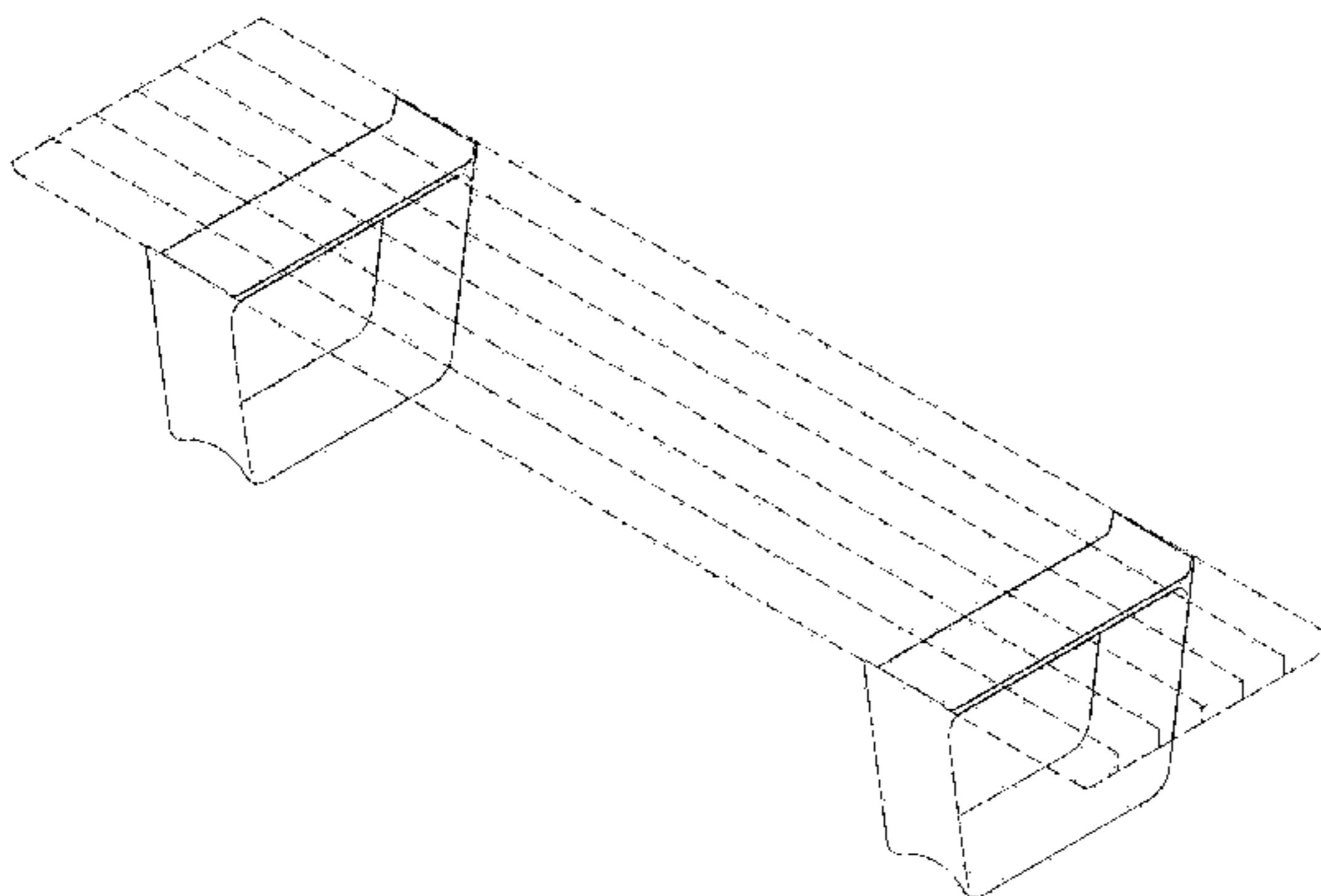
FIG. 5 is a perspective view of a second embodiment of the bench of the present invention;

FIG. 6 is a right side elevation view thereof; the left side elevation view being identical thereto, and the front and rear elevation views being identical to the front and rear elevation views of the first embodiment; and,

FIG. 7 is a top plan view thereof.

The broken line showing is for purposes of illustrating environmental structure and forms no part of the claimed design.

**1 Claim, 7 Drawing Sheets**



(56)

**References Cited**

OTHER PUBLICATIONS

Nelson Platform Bench, manufactured by Herman Miller, designed by George Nelson, printout available online on Mar. 11, 2013 at <http://www.hermanmiller.com/products/seating/bench-seating/nelson-platform-bench.html>, 2 pages.

Pylon Bench, manufactured by Nola, designed by Marcus Abrahamson and Kristoffer Fagerstrom, printout available online on Mar. 11, 2013 at: <http://www.nola.se/en/produkter/benches/pylon?page=5>, 2 pages.

Neoramantico Clasico Bench, manufactured by Santa & Cole, designed by Miguel Mila, printout available online on Mar. 11, 2013 at: <http://www.santacole.com/en/catalogo/bancos/neoramantico-clasico/>, 2 pages.

Museum Bench, manufactured by Modernica, designed by Modernica Studios, printout available online on Mar. 11, 2013 at: <http://modernica.net/museum-bench-outdoor.html>, 2 pages.

Ecal Stool, manufactured by Eternit, designed by Nicolas LeMoigne, printout available online on Mar. 11, 2013 at: <http://www.eternit.ch/fileadmin/content/garten/garden.html>, 1 page.

\* cited by examiner

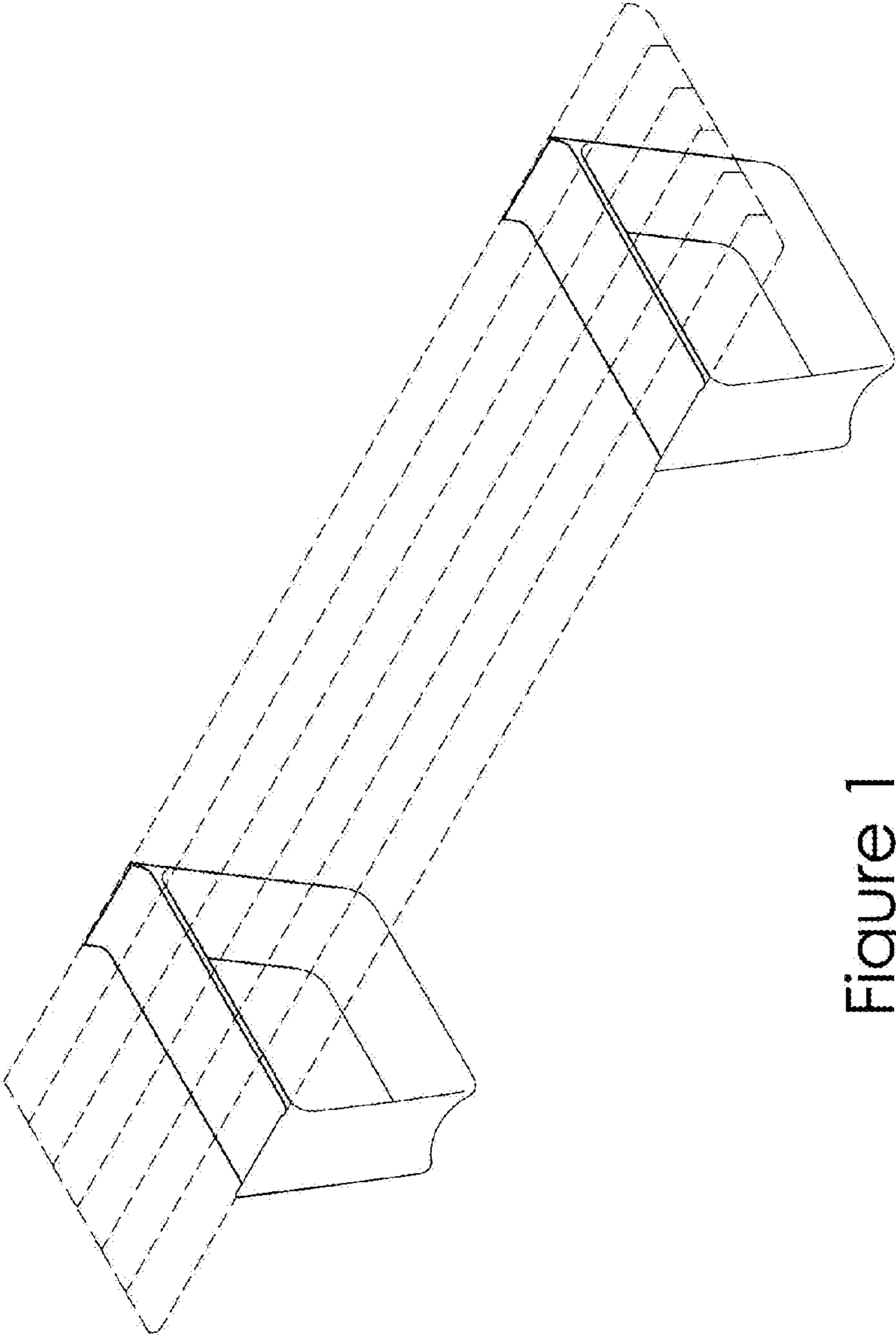


Figure 1

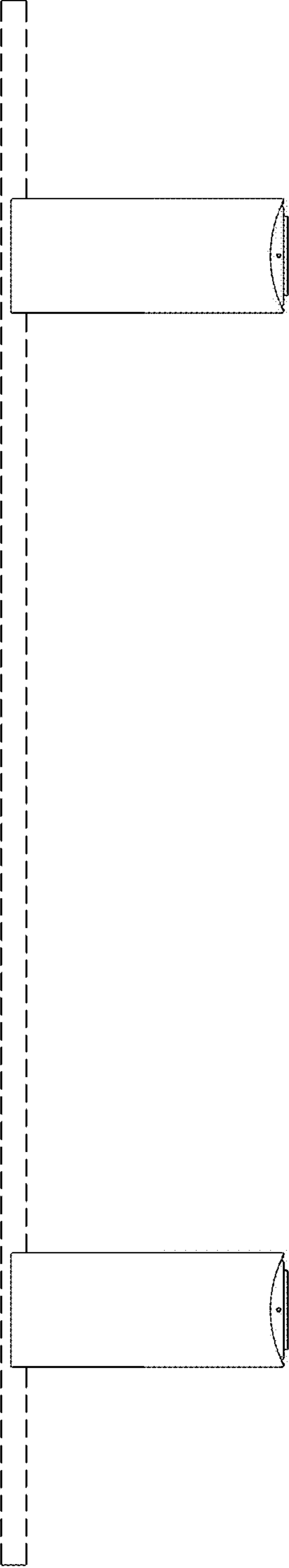


Figure 2

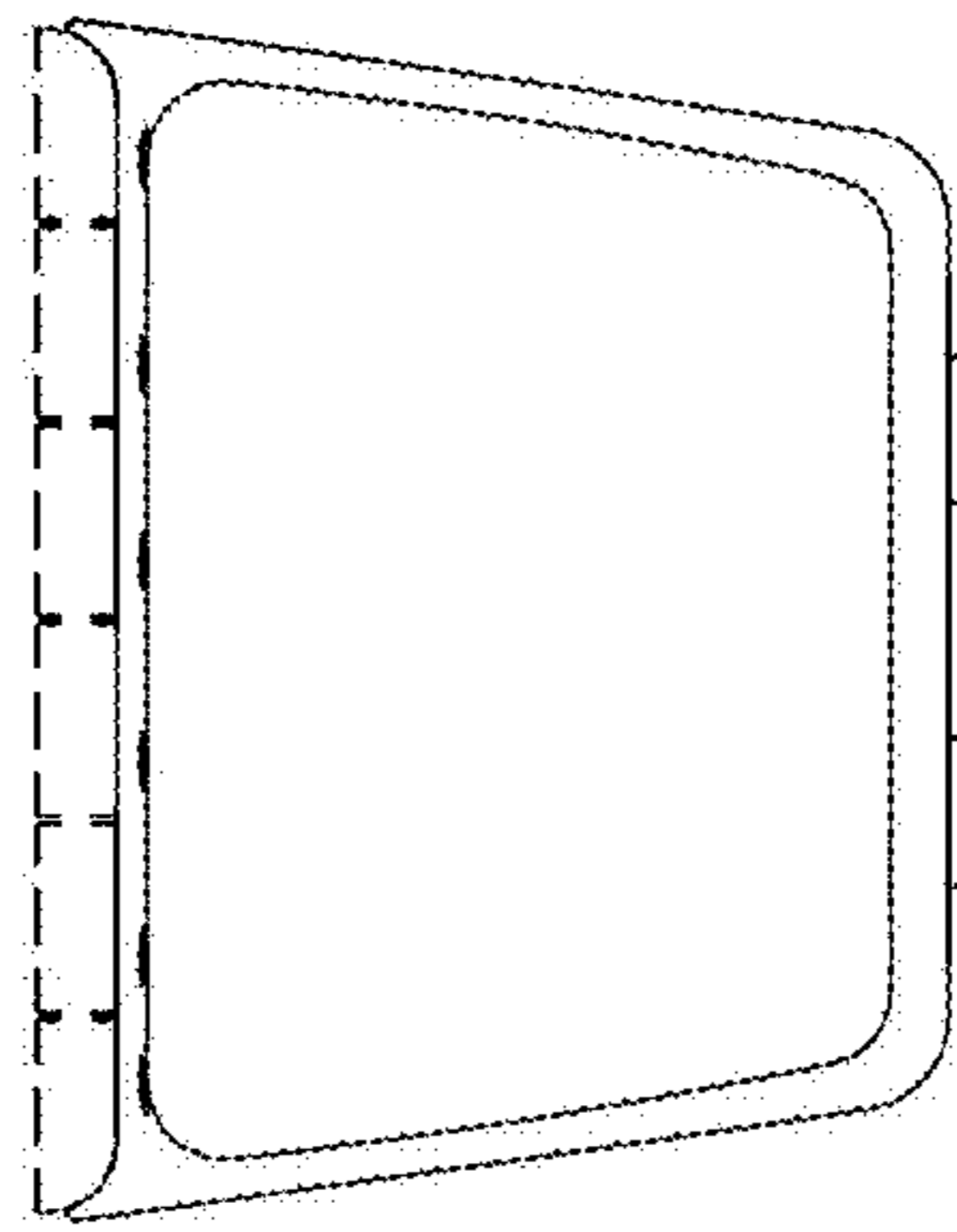


Figure 3

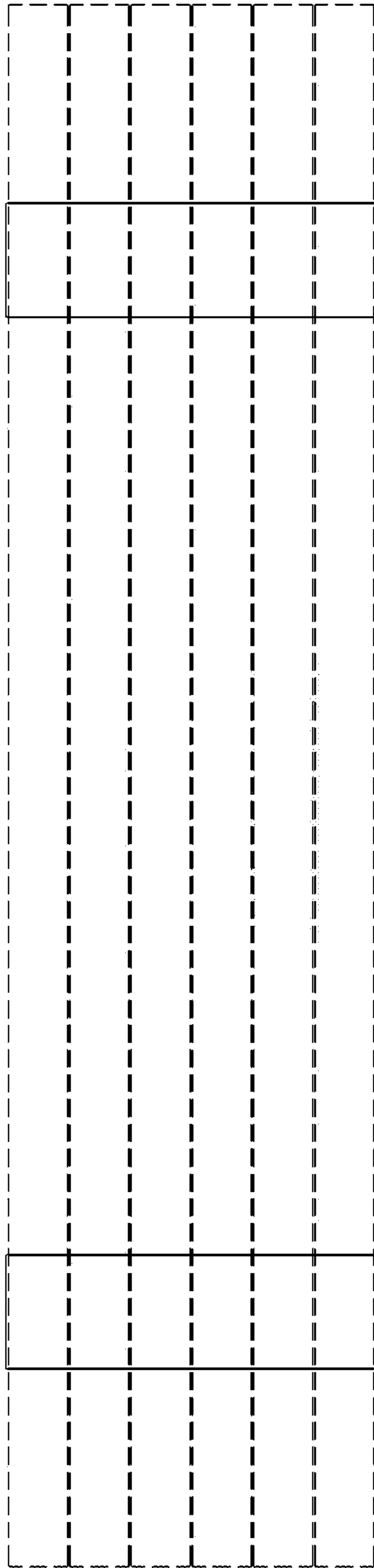


Figure 4

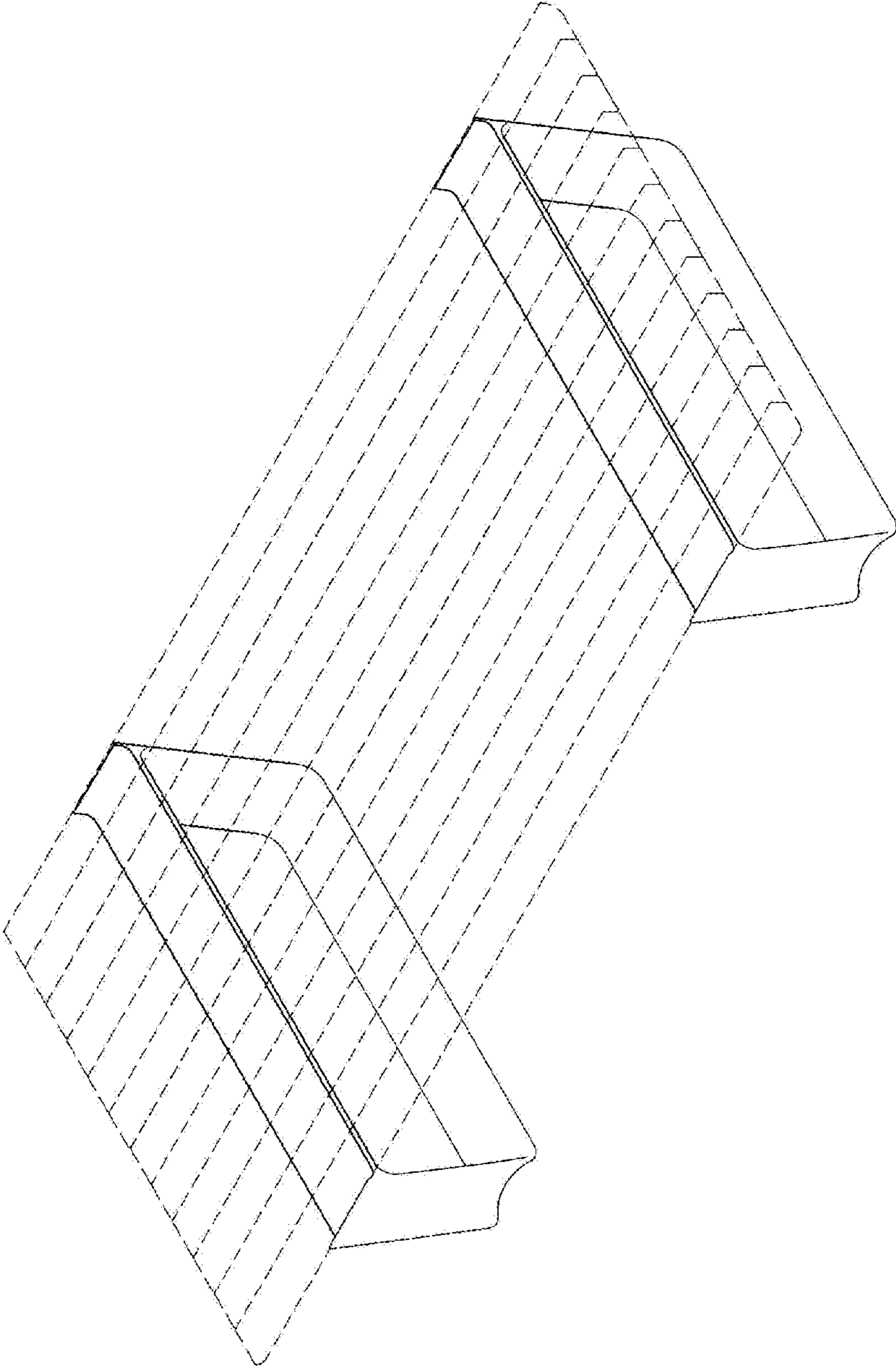


Figure 5

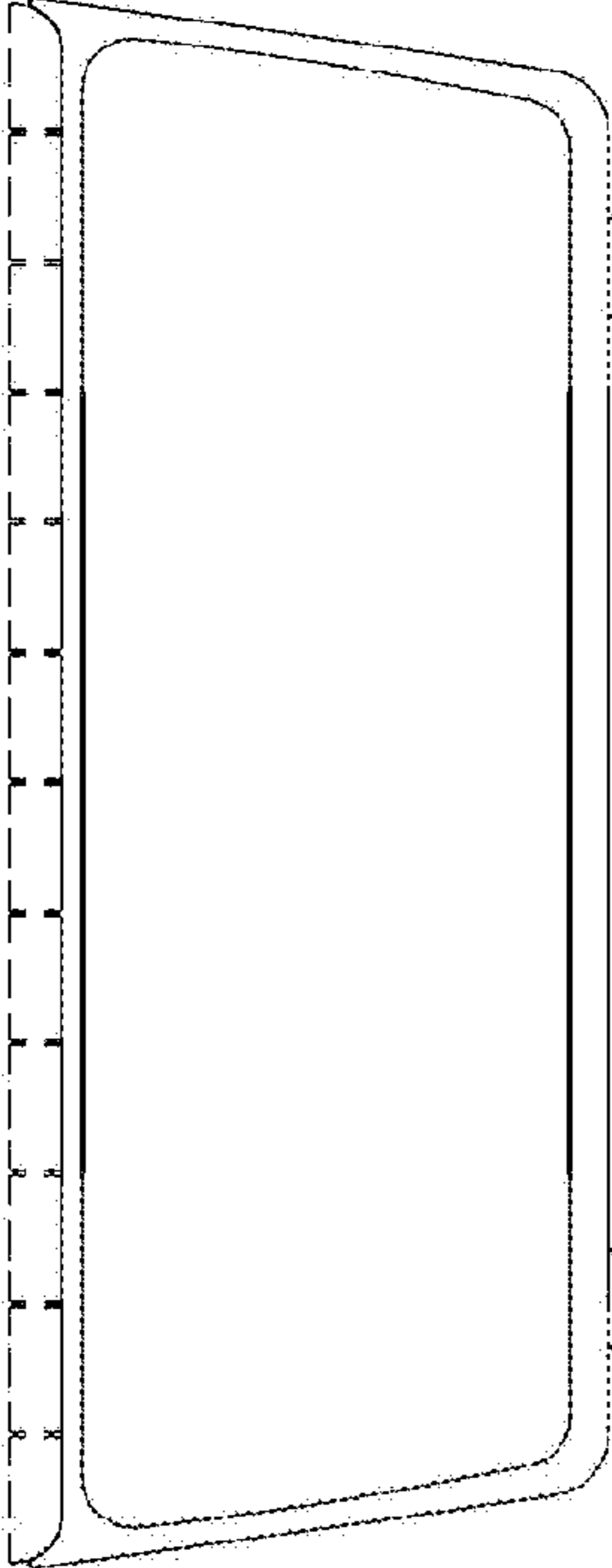


Figure 6



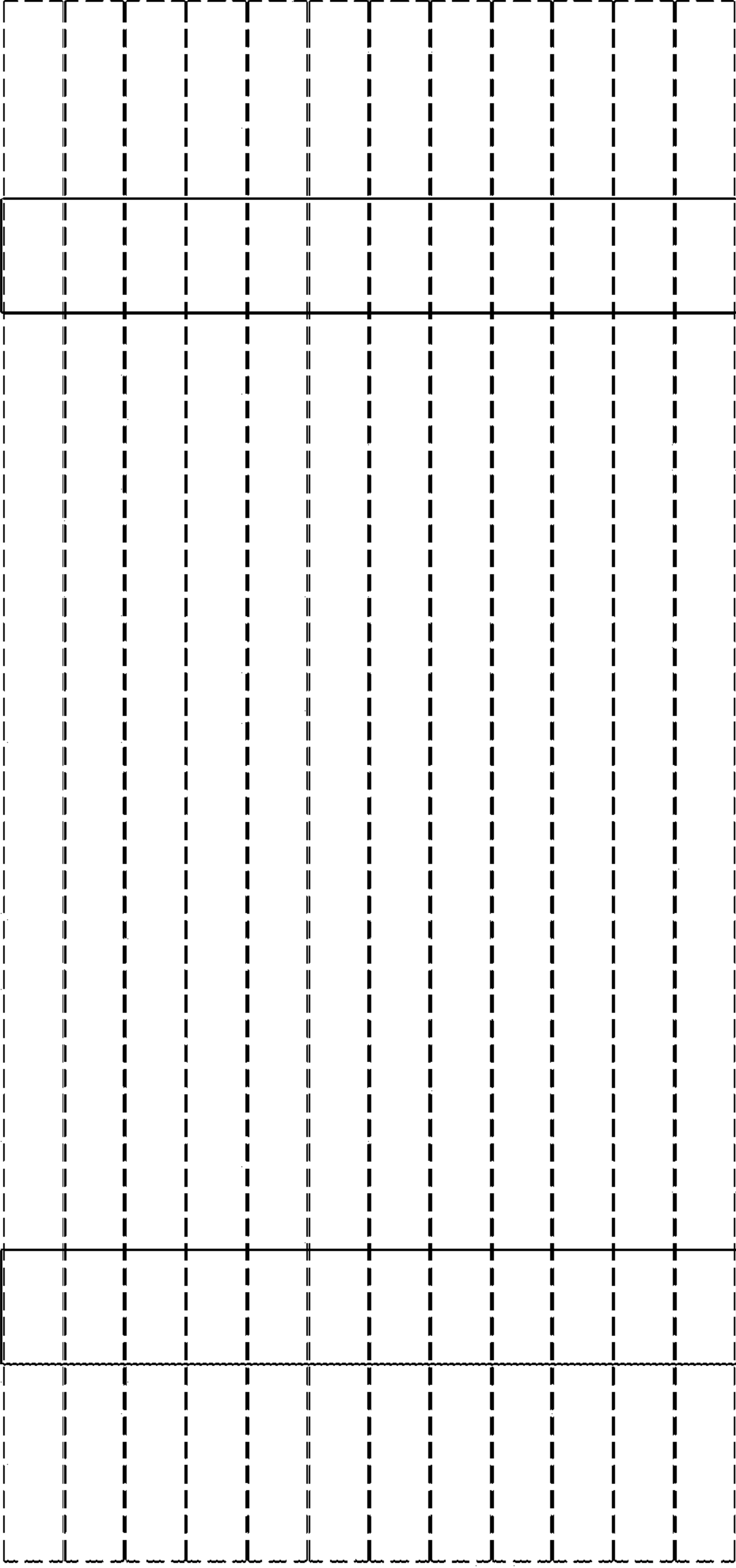


Figure 7