



US00D713189S

(12) **United States Design Patent**
Rak

(10) **Patent No.:** **US D713,189 S**

(45) **Date of Patent:** **** Sep. 16, 2014**

(54) **TABLE TOP**

D245,823 S * 9/1977 Fields D6/511
D555,401 S * 11/2007 Adams D6/484

(71) Applicant: **Jeremy Rak**, Lorain, OH (US)

* cited by examiner

(72) Inventor: **Jeremy Rak**, Lorain, OH (US)

Primary Examiner — Janice Seeger

(**) Term: **14 Years**

(74) *Attorney, Agent, or Firm* — John D Gugliotta

(21) Appl. No.: **29/445,810**

(57) **CLAIM**

(22) Filed: **Feb. 16, 2013**

The ornamental design for a table top, as shown and described.

(51) **LOC (10) Cl.** **06-06**

DESCRIPTION

(52) **U.S. Cl.**

USPC **D6/707.19**

(58) **Field of Classification Search**

CPC A47B 13/08; A47B 13/12; A47B 2013/08;
A47B 2013/12; A47B 2200/0001

USPC D6/690, 691.1, 691.2, 707, 707.15,
D6/707.19, 707.23; 108/153.1, 156, 157.1,
108/161

See application file for complete search history.

FIG. 1 is a front, top perspective view of a table top showing my new design;

FIG. 2 is a rear, bottom perspective view thereof;

FIG. 3 is a top plan view thereof;

FIG. 4 is a bottom plan view thereof;

FIG. 5 is a side elevational view thereof, the opposite side being a mirror image; and,

FIG. 6 is a front elevational view thereof, the rear elevational view being a mirror image.

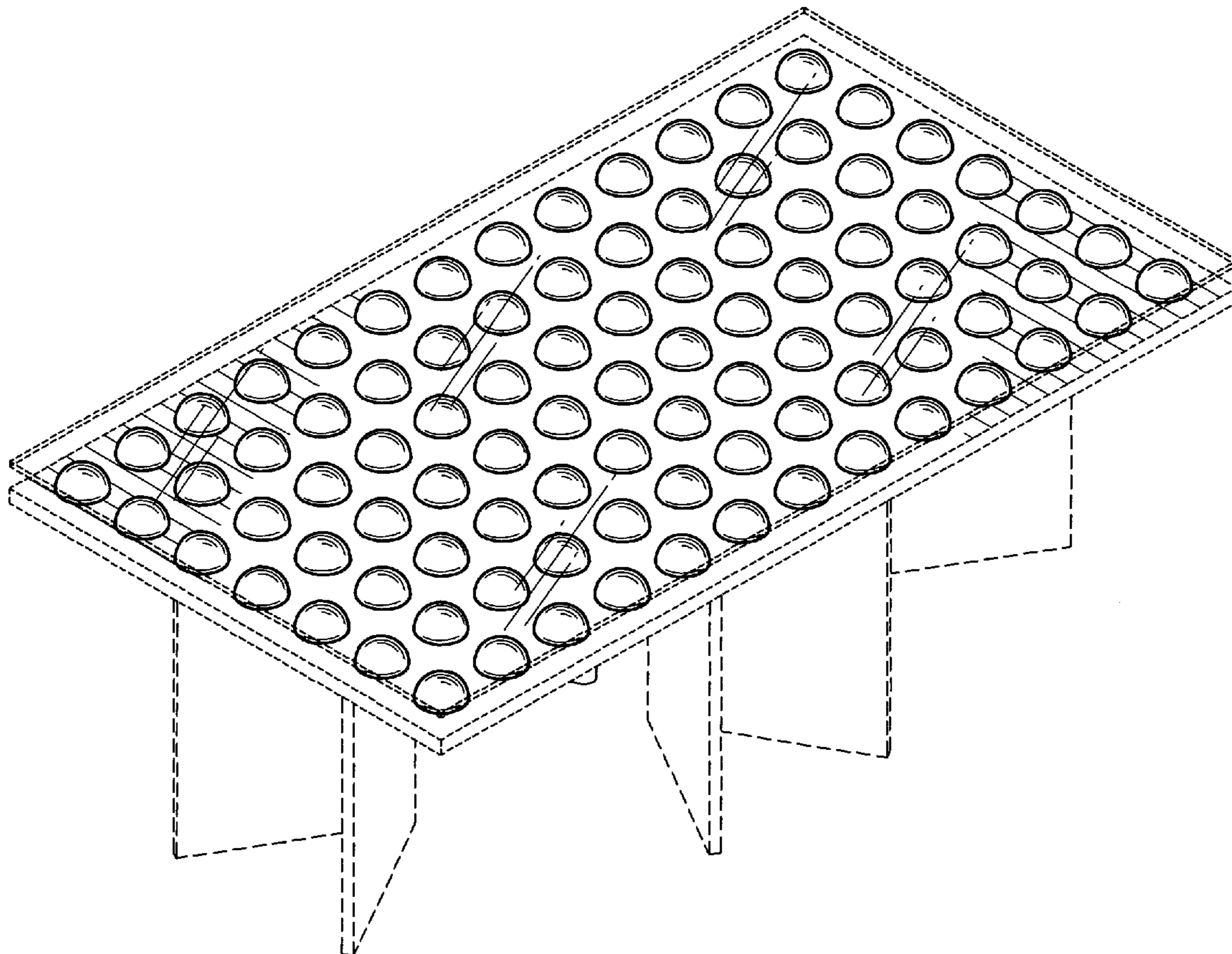
The dashed lines throughout the figures represent the table top perimeter and support leg structures and form no part of the claimed invention.

(56) **References Cited**

U.S. PATENT DOCUMENTS

D238,407 S * 1/1976 Owens D6/485

1 Claim, 6 Drawing Sheets



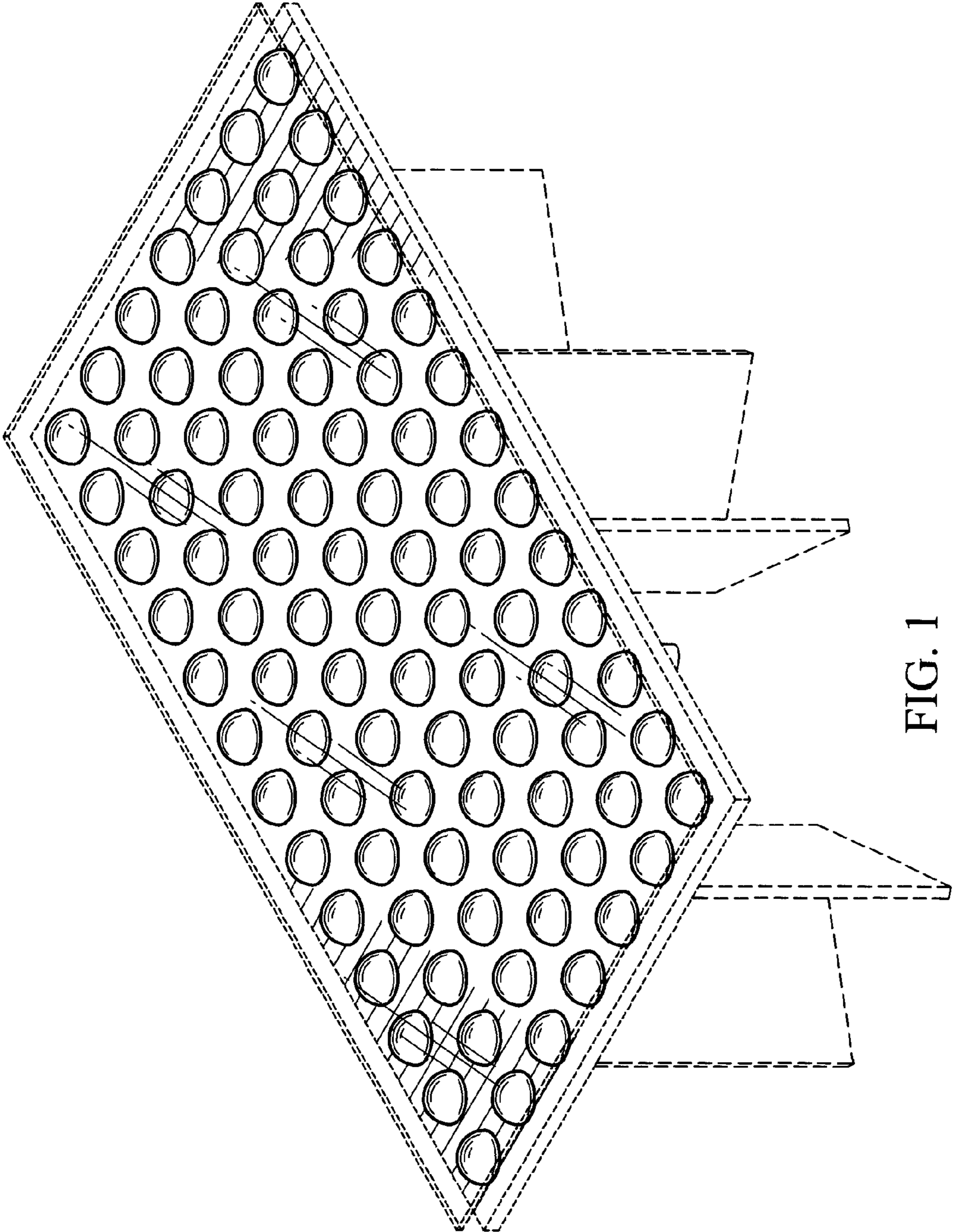


FIG. 1

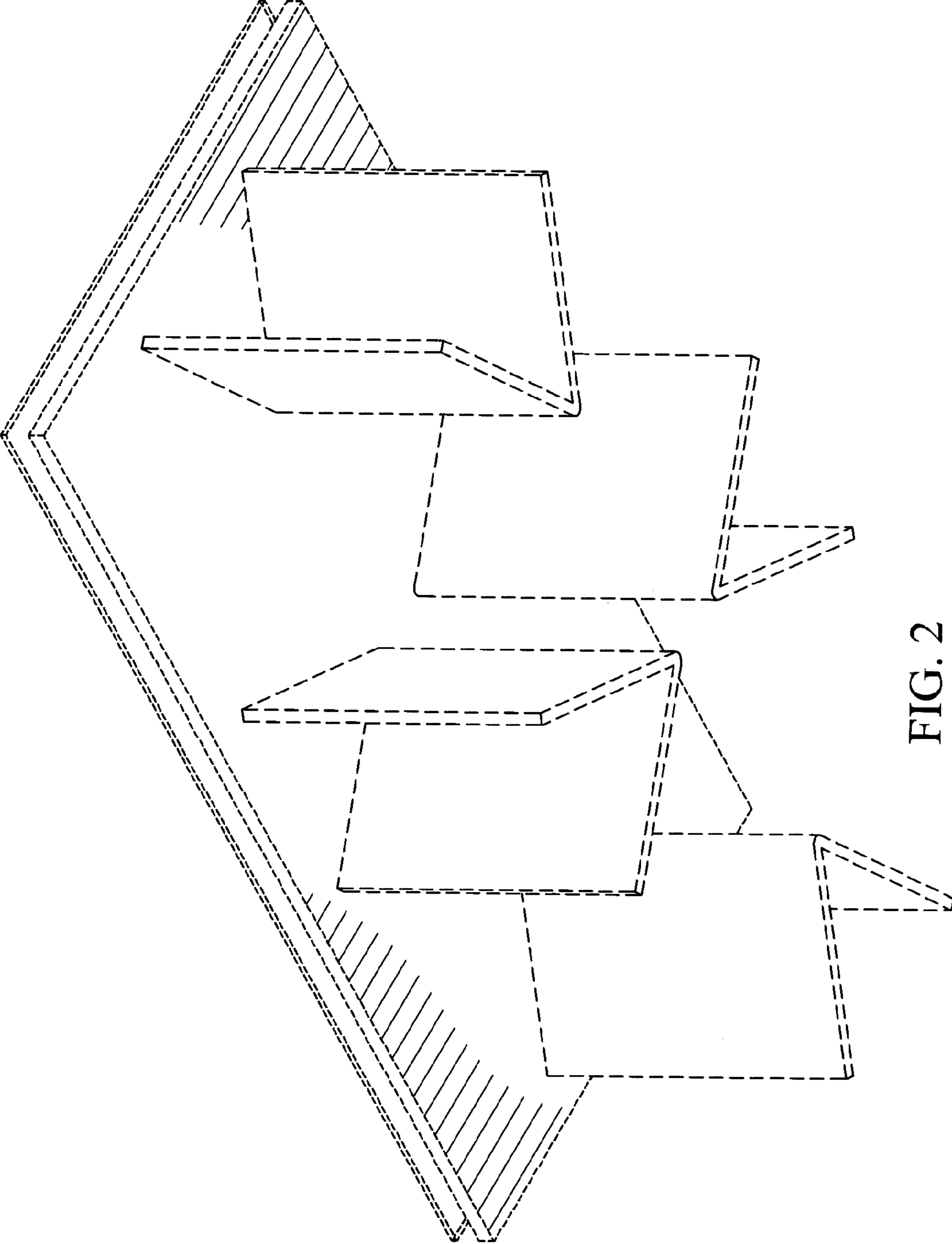


FIG. 2

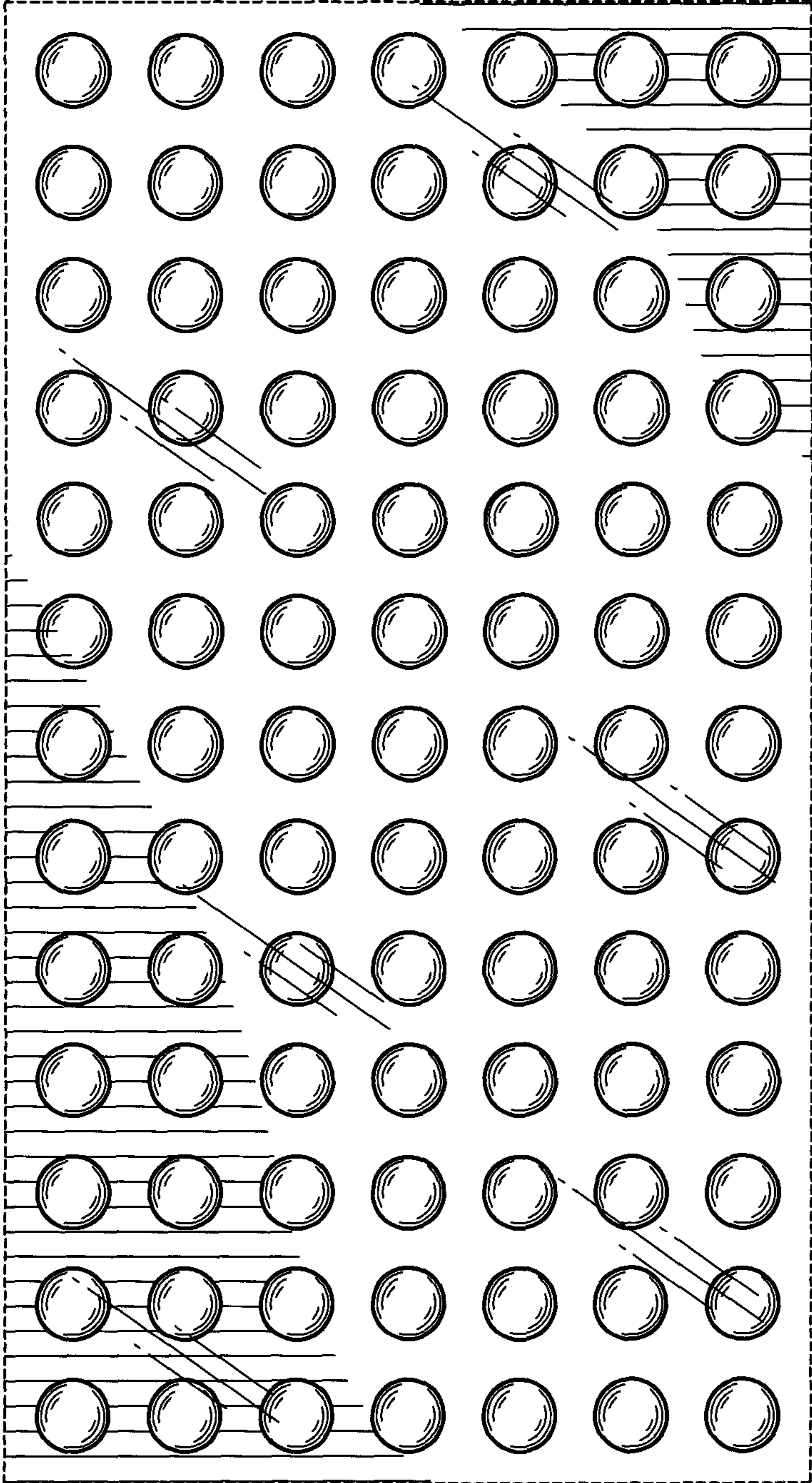


FIG. 3

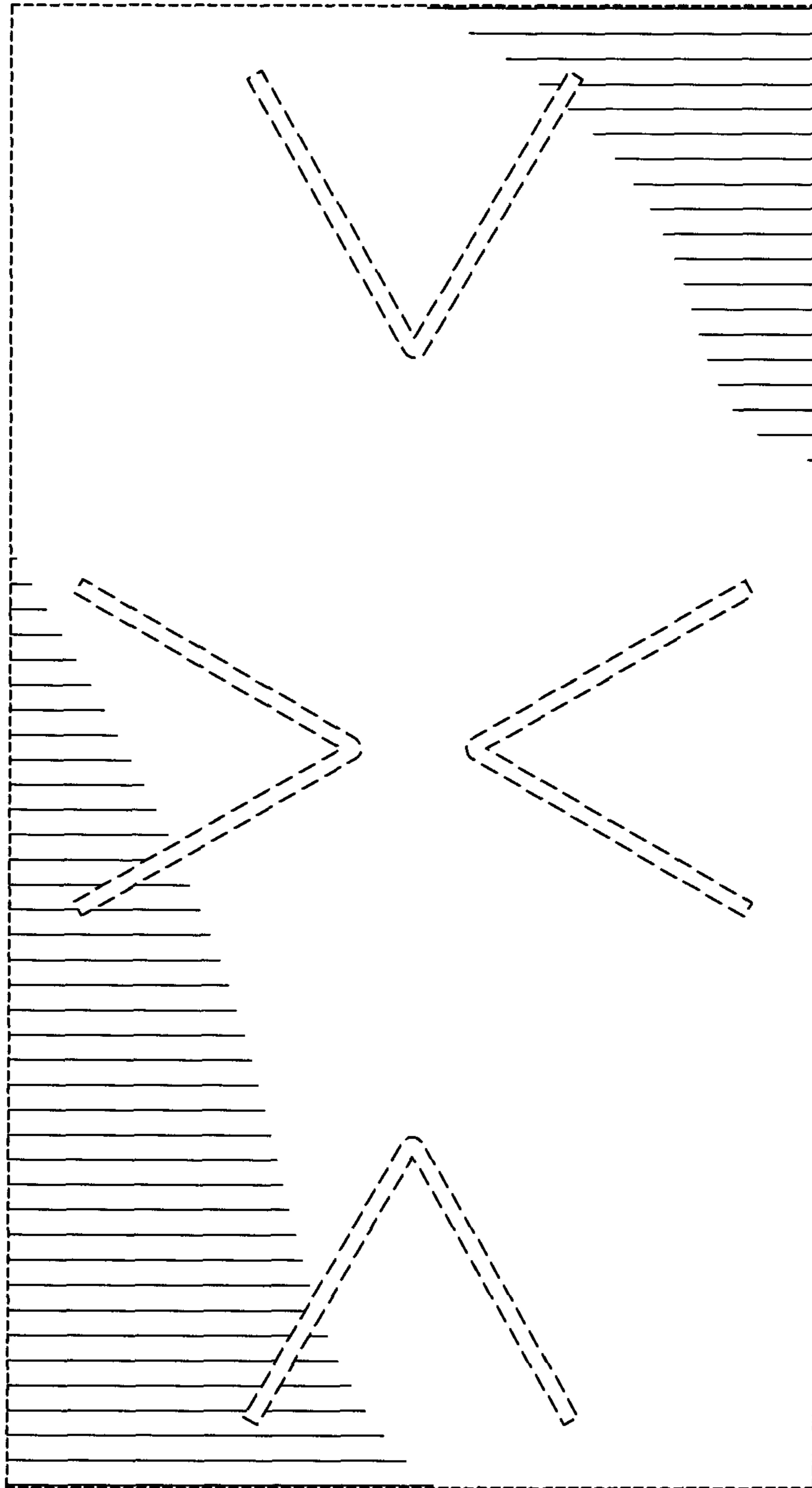


FIG. 4

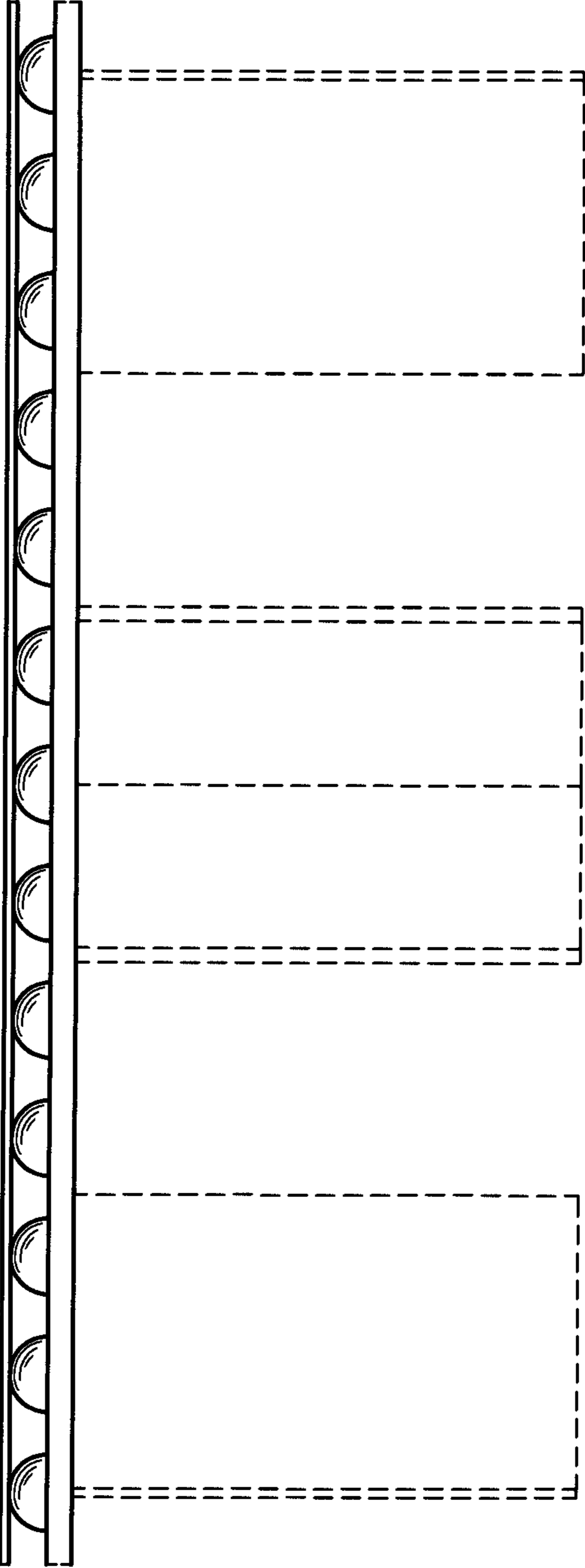


FIG. 5

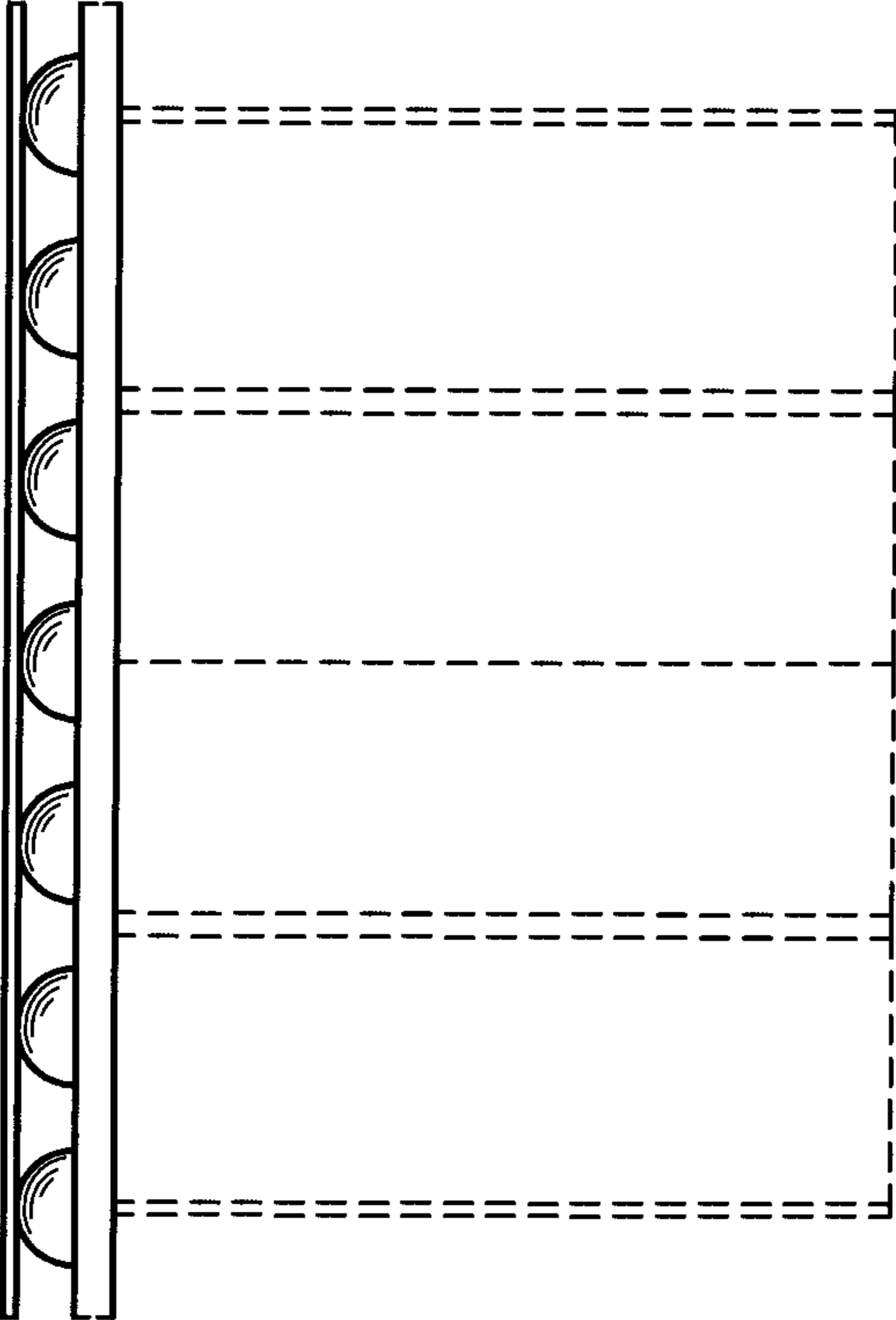


FIG. 6