



US00D713187S

(12) **United States Design Patent**
Troyner et al.

(10) **Patent No.:** **US D713,187 S**

(45) **Date of Patent:** **** Sep. 16, 2014**

(54) **SHELF SUPPORT BEAM**

(75) Inventors: **Anthony J Troyner**, Shorewood, IL (US); **Antonio Luis Escalante**, Chicago, IL (US); **David J Wojtowicz**, Orland Park, IL (US); **Mitchell Liss**, Northbrook, IL (US)

(73) Assignee: **Edsal Manufacturing Company, Inc.**, Chicago, IL (US)

(**) Term: **14 Years**

(21) Appl. No.: **29/404,729**

(22) Filed: **Oct. 25, 2011**

(51) **LOC (10) Cl.** **06-06**

(52) **U.S. Cl.**
USPC **D6/705.5**

(58) **Field of Classification Search**
USPC D6/396, 491–492, 509–511, 702, 705, D6/705.5; D25/119, 125–126; 248/441.1, 248/469, 473; 211/94.01; D8/380–381, D8/356; 52/223.8, 649.2, 650.1
See application file for complete search history.

(56) **References Cited**

U.S. PATENT DOCUMENTS

D270,550	S	*	9/1983	Sax	D20/43
4,825,529	A	*	5/1989	Sawada et al.	29/897.3
D357,407	S	*	4/1995	Pate	D8/381
D395,816	S	*	7/1998	Colodny	D8/356
D421,067	S	*	2/2000	Weiller	D20/43
D470,926	S	*	2/2003	Knight	D23/267
D482,404	S	*	11/2003	McIlvaine	D20/43
D486,676	S	*	2/2004	Campbell et al.	D6/491
D490,260	S	*	5/2004	Bowen	D6/511
D537,325	S	*	2/2007	Wolff et al.	D8/381
D537,326	S	*	2/2007	Wolff et al.	D8/381
D542,421	S	*	5/2007	Dempsey et al.	D25/122
D552,975	S	*	10/2007	Ahlund	D8/381

D576,526	S	*	9/2008	McBain	D12/162
D584,941	S	*	1/2009	Broehl et al.	D8/377
D592,938	S	*	5/2009	Pae et al.	D8/356
D594,386	S	*	6/2009	Jorgensen et al.	D12/106
D595,069	S	*	6/2009	Berry et al.	D6/491
D597,353	S	*	8/2009	Liss et al.	D6/511
D600,362	S	*	9/2009	Geffe	D25/126
D600,826	S	*	9/2009	Ratanasiriwilai	D25/121
D602,764	S	*	10/2009	Pae et al.	D8/356
D604,537	S	*	11/2009	Liss et al.	D6/511
7,625,467	B2	*	12/2009	Ando et al.	202/266

(Continued)

Primary Examiner — Kelley Donnelly

(74) *Attorney, Agent, or Firm* — Wood, Herron & Evans, LLP

(57) **CLAIM**

The ornamental design for a shelf support beam, as shown and described.

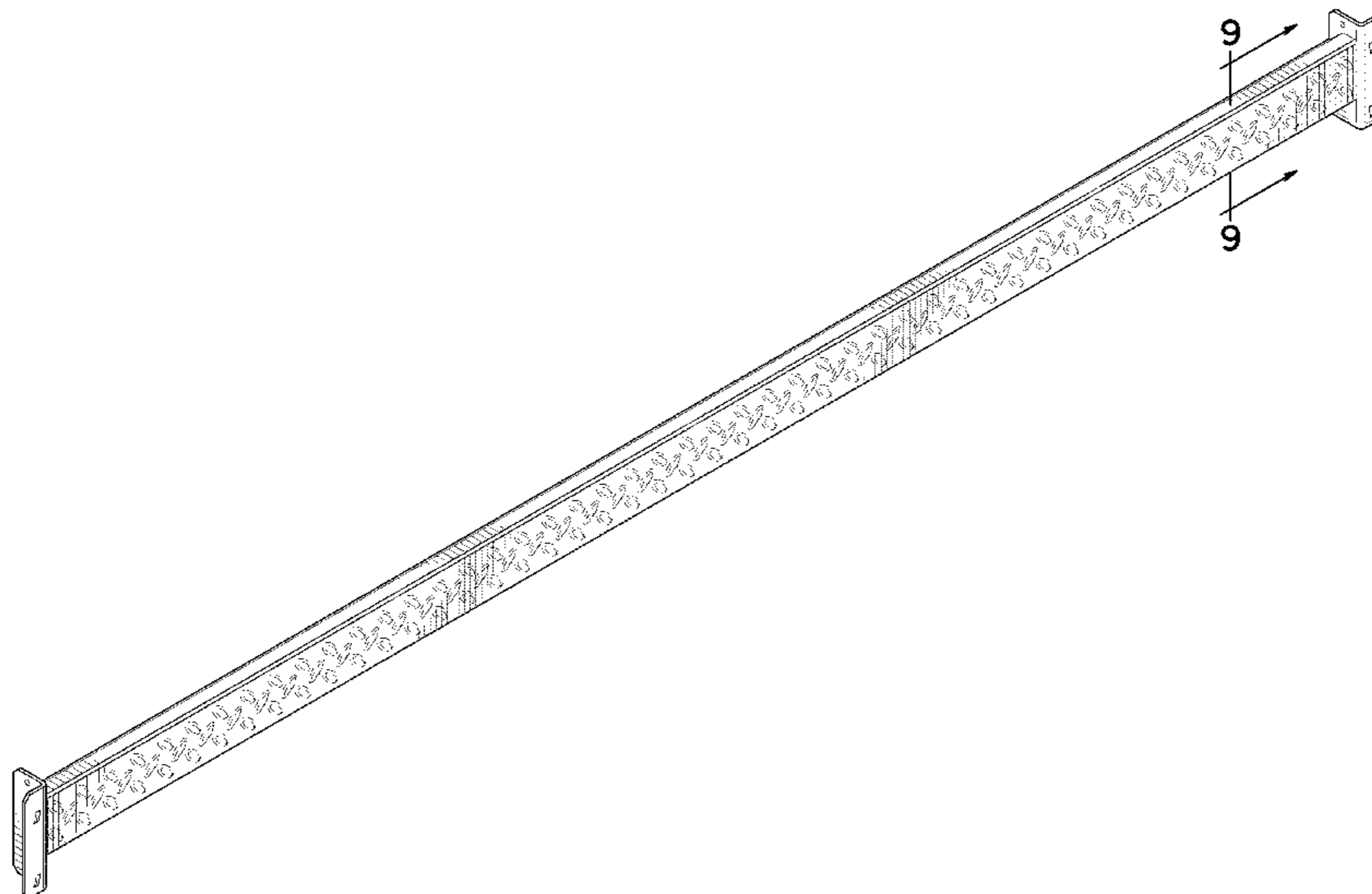
DESCRIPTION

FIG. 1 is an isometric view of the shelf support beam of our new design;
FIG. 2 is a front isometric view thereof;
FIG. 3 is a rear isometric view thereof;
FIG. 4 is a front elevational view thereof;
FIG. 5 is a rear elevational view thereof;
FIG. 6 is a top plan view thereof;
FIG. 7 is a bottom view thereof;
FIG. 8 is a left side elevational view thereof, a right side elevational view being a mirror image;
FIG. 9 is a cross-sectional view of a portion of FIG. 2; and,
FIG. 10 is a rear cross section view of FIG. 9.

The broken lines showing are included for the purpose of illustrating environment and form no part of the claimed design.

The diagonal lines illustrated on the end of the enlarged portion of the shelf support beam in FIG. 9 represent a cross-sectional view and does not form part of the claimed design.

1 Claim, 6 Drawing Sheets



(56)

References Cited

U.S. PATENT DOCUMENTS

D609,825 S *	2/2010	Clarke et al.	D25/126	D674,220 S *	1/2013	Kim	D6/702
D618,365 S *	6/2010	Crane	D25/121	D683,983 S *	6/2013	Troyner et al.	D6/675.2
D625,534 S *	10/2010	Chen	D7/619.1	D683,984 S *	6/2013	Troyner et al.	D6/707.22
D626,817 S *	11/2010	Donowho et al.	D8/356	D686,430 S *	7/2013	Fitzgerald et al.	D6/707.22
7,874,125 B2 *	1/2011	Polk, Jr.	52/836	D690,189 S *	9/2013	Wojtowicz et al.	D8/394
D633,781 S *	3/2011	Wood	D8/381	D693,668 S *	11/2013	Wojtowicz et al.	D8/394
D639,585 S *	6/2011	Shen et al.	D6/495	D696,344 S *	12/2013	Ehrlich et al.	D19/10
D640,123 S *	6/2011	Stearns et al.	D8/355	D696,575 S *	12/2013	Heindl	D8/382
D647,246 S *	10/2011	Chadwick	D26/138	D702,466 S *	4/2014	Kim	D6/702
D651,433 S *	1/2012	Le et al.	D6/511	2006/0175274 A1 *	8/2006	Yang	211/94.01
D653,528 S *	2/2012	Choi et al.	D8/381	2006/0195980 A1 *	9/2006	Nagley	4/595
D658,913 S *	5/2012	Troyner et al.	D6/511	2010/0139188 A1 *	6/2010	Callentine et al.	52/213
D659,449 S *	5/2012	Lawson	D6/511	2012/0025038 A1 *	2/2012	Seelman et al.	248/125.7
				2012/0080655 A1 *	4/2012	Coffin	256/19
				2012/0138758 A1 *	6/2012	Graber	248/221.11

* cited by examiner

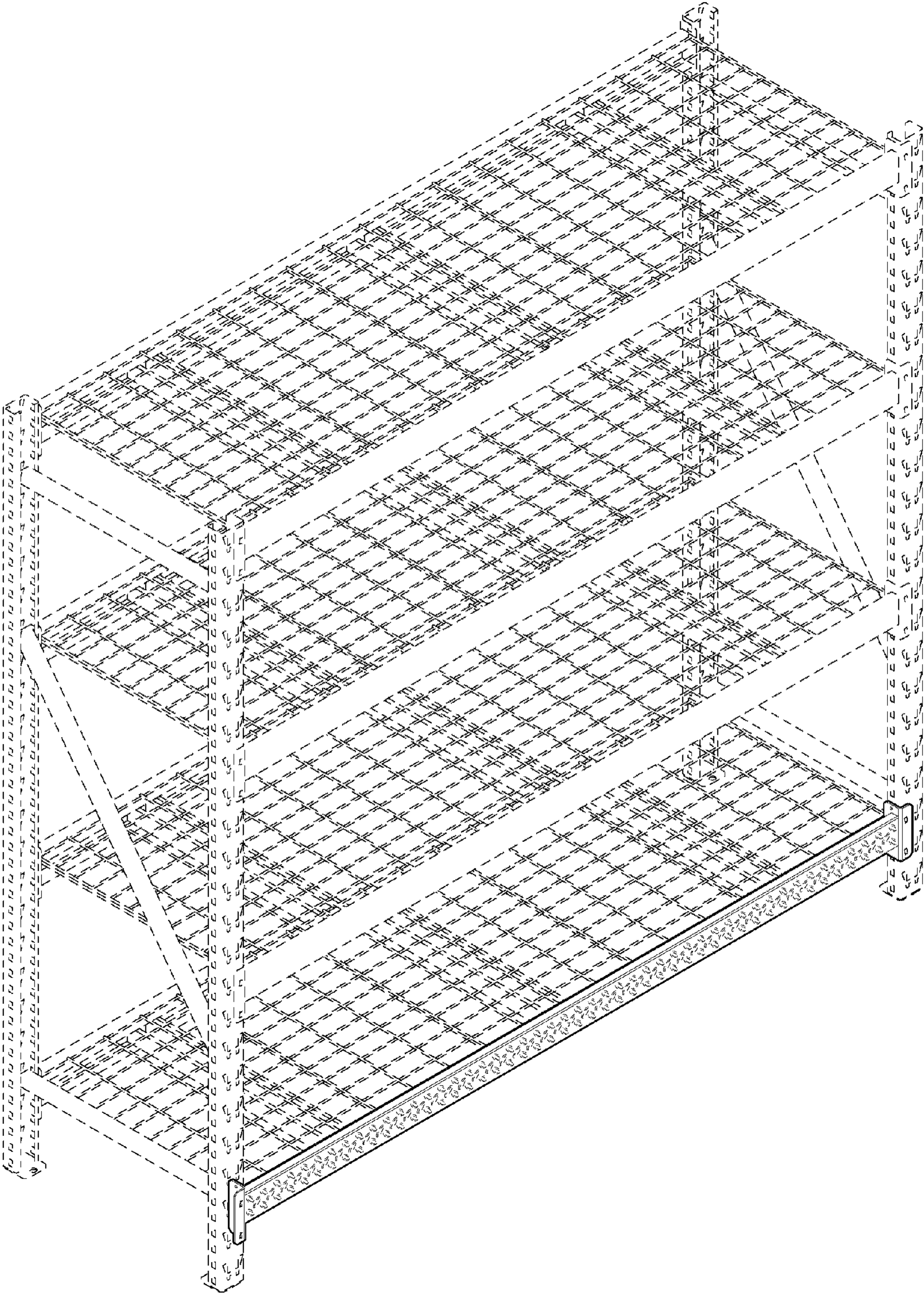


FIG. 1

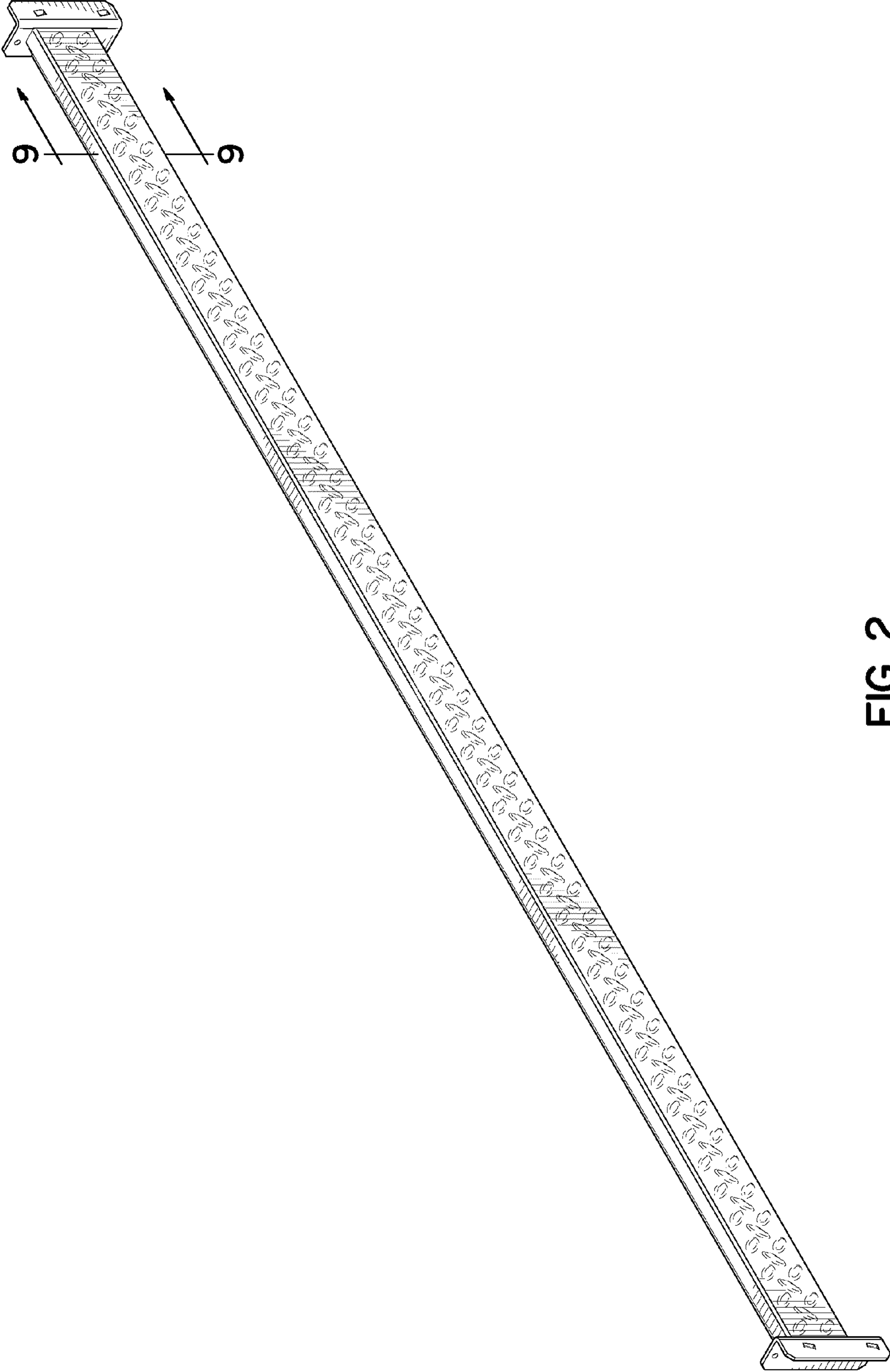


FIG. 2

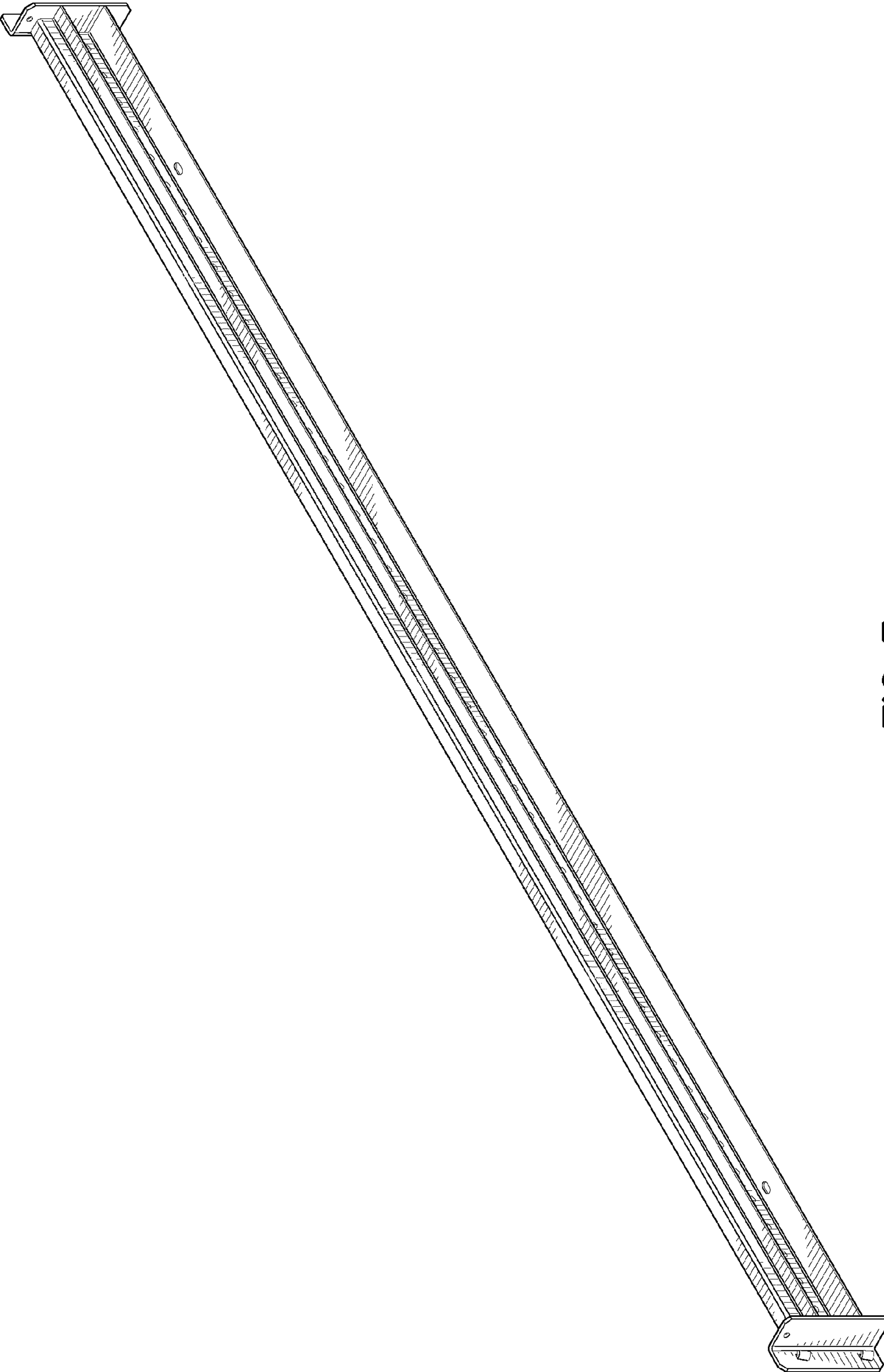


FIG. 3

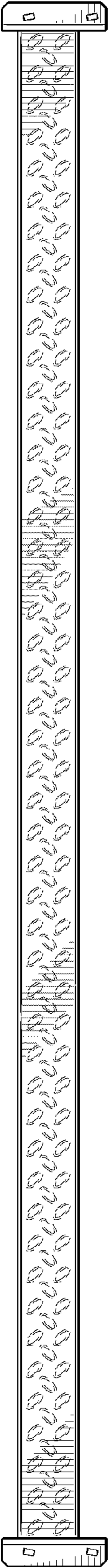


FIG. 4

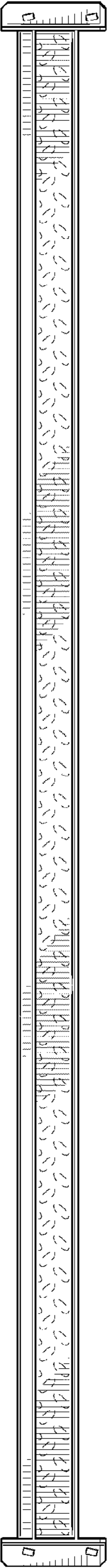


FIG. 5

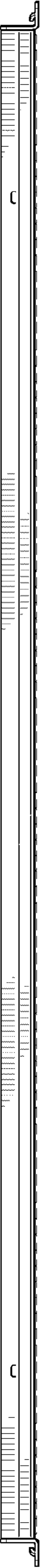


FIG. 6



FIG. 7

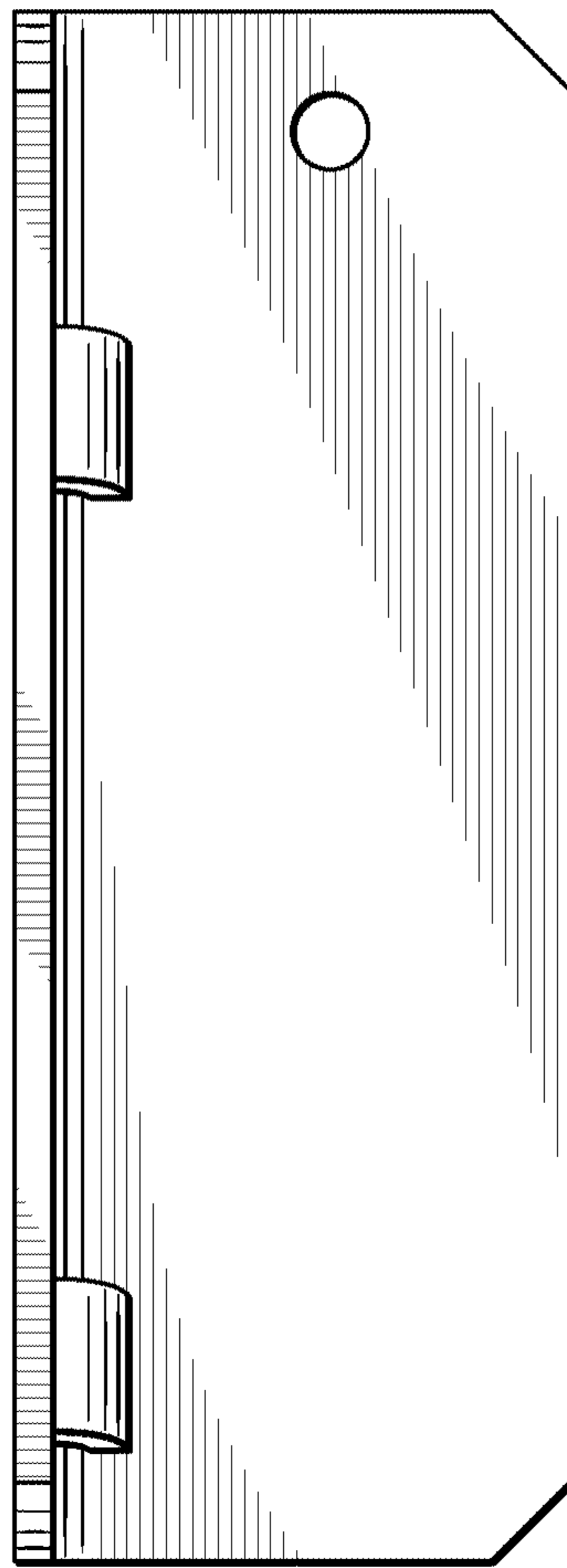


FIG. 8

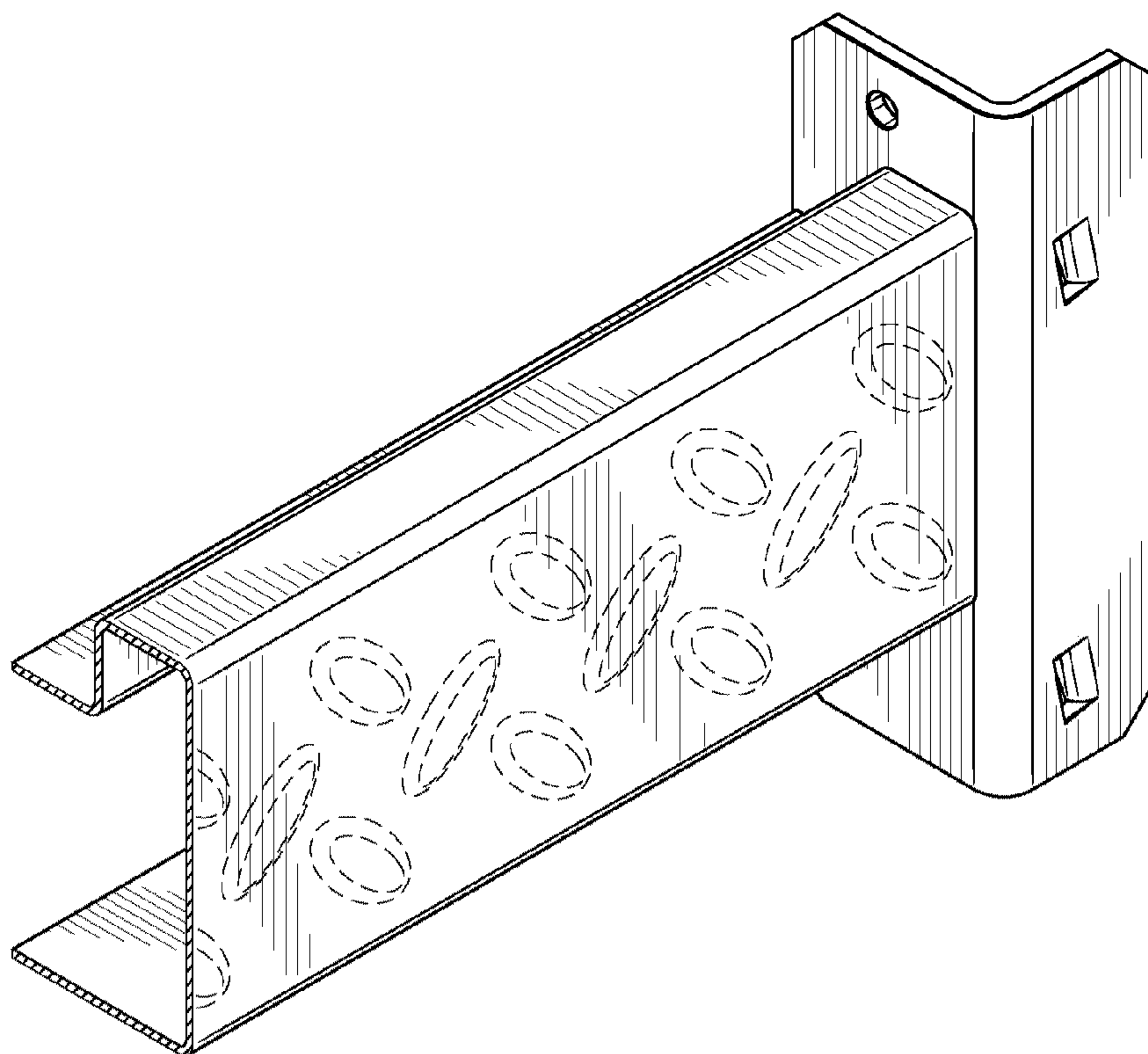


FIG. 9

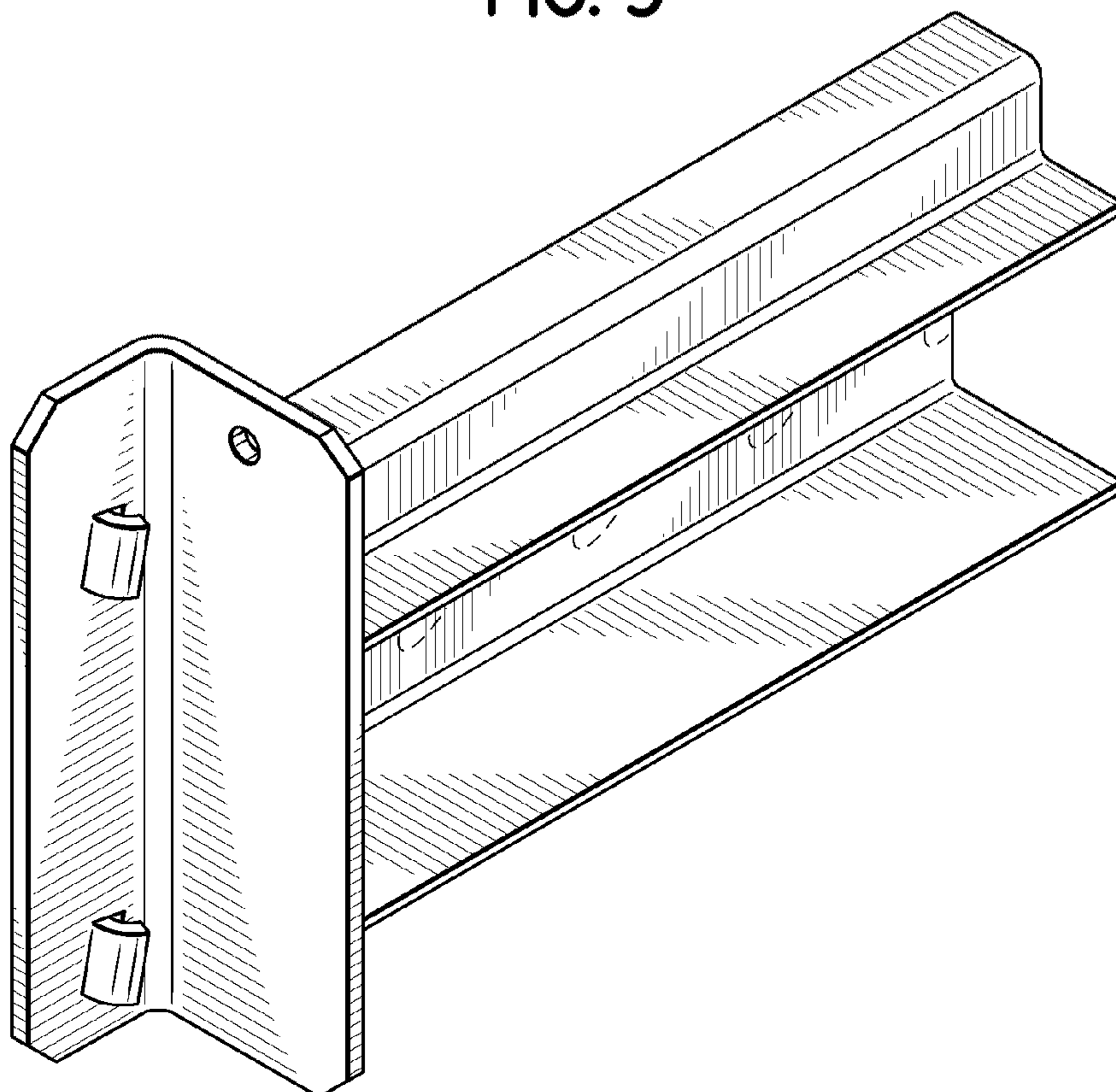


FIG. 10