



US00D713181S

(12) **United States Design Patent**
Cohen

(10) **Patent No.:** **US D713,181 S**

(45) **Date of Patent:** **** *Sep. 16, 2014**

(54) **DECORATIVE CORNER STAND**

(71) Applicant: **Howard Cohen**, Indialantic, FL (US)

(72) Inventor: **Howard Cohen**, Indialantic, FL (US)

(*) Notice: This patent is subject to a terminal disclaimer.

(**) Term: **14 Years**

(21) Appl. No.: **29/460,013**

(22) Filed: **Jul. 6, 2013**

(51) **LOC (10) Cl.** **06-06**

(52) **U.S. Cl.**
USPC **D6/676.1**

(58) **Field of Classification Search**
USPC D6/396, 449, 451-452, 455, 465, 467,
D6/480-489, 477-479, 495-499, 672,
D6/676-676.1; 248/218.4, 188, 188.1,
248/188.8; 211/13.1, 119.005, 115, 134,
211/150, 153, 155-156, 161

See application file for complete search history.

(56) **References Cited**

U.S. PATENT DOCUMENTS

D304,398 S * 11/1989 Goetz D6/479
D314,477 S * 2/1991 Richter D6/479
D321,296 S * 11/1991 Miranda D6/461
D325,137 S * 4/1992 Porter D6/479

D330,469 S * 10/1992 Brodbeck et al. D6/421
D382,733 S * 8/1997 Goetz D6/479
D409,868 S * 5/1999 France D6/562
D421,867 S * 3/2000 Carville et al. D6/562
D514,847 S * 2/2006 Peller et al. D6/465
D522,271 S * 6/2006 Arippol D6/465
D638,640 S * 5/2011 Molayem D6/465

OTHER PUBLICATIONS

AquaTeak, 326 Teak Corner Stand, Date Published Feb. 12, 2008,
www.aquateak.com.

* cited by examiner

Primary Examiner — Kelley Donnelly

(74) *Attorney, Agent, or Firm* — Stephen C Thomas

(57) **CLAIM**

The ornamental design for a decorative corner stand, as shown and described.

DESCRIPTION

FIG. 1 is a perspective view of the decorative corner stand of the invention;

FIG. 2 is a front view thereof;

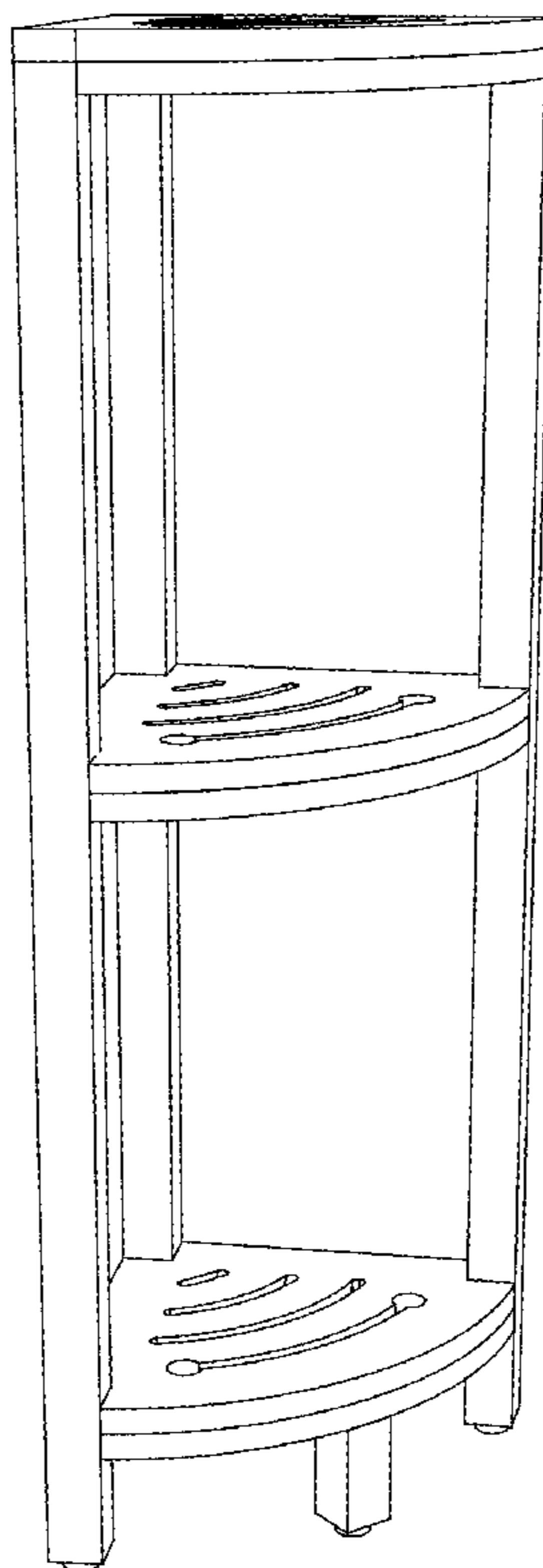
FIG. 3 is a left side view thereof;

FIG. 4 is a right side view thereof;

FIG. 5 is a top view thereof; and,

FIG. 6 is a bottom view thereof.

1 Claim, 2 Drawing Sheets



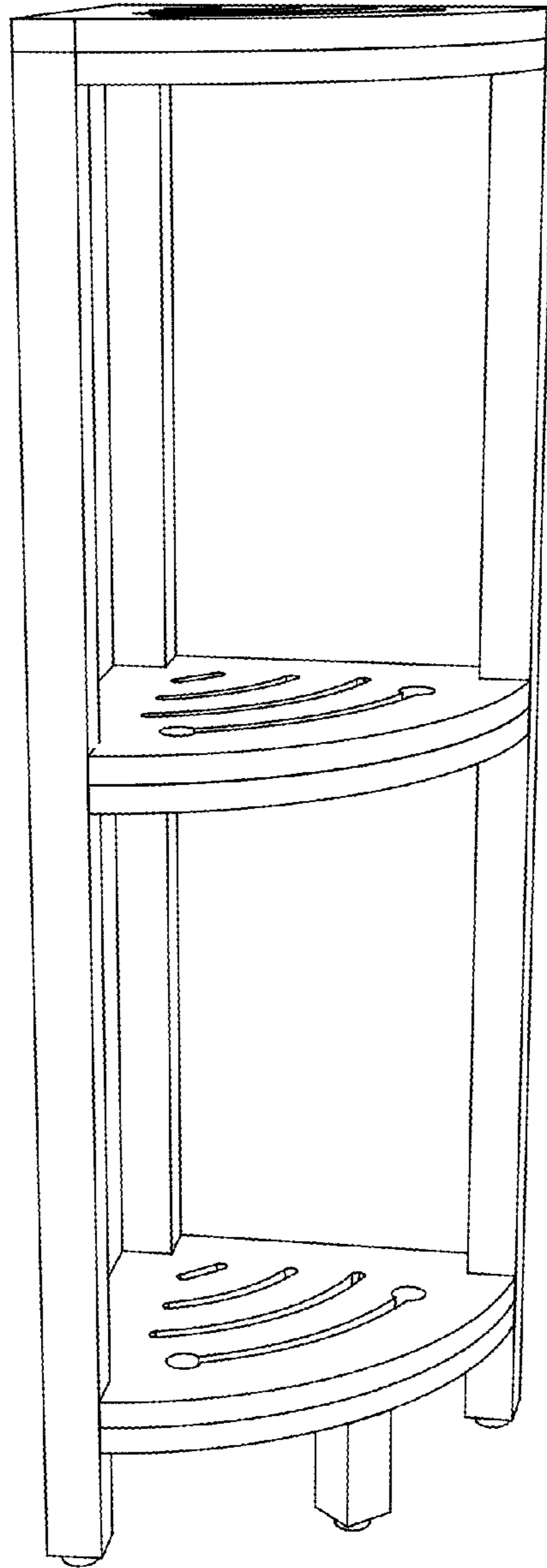


Fig. 1

Fig. 5

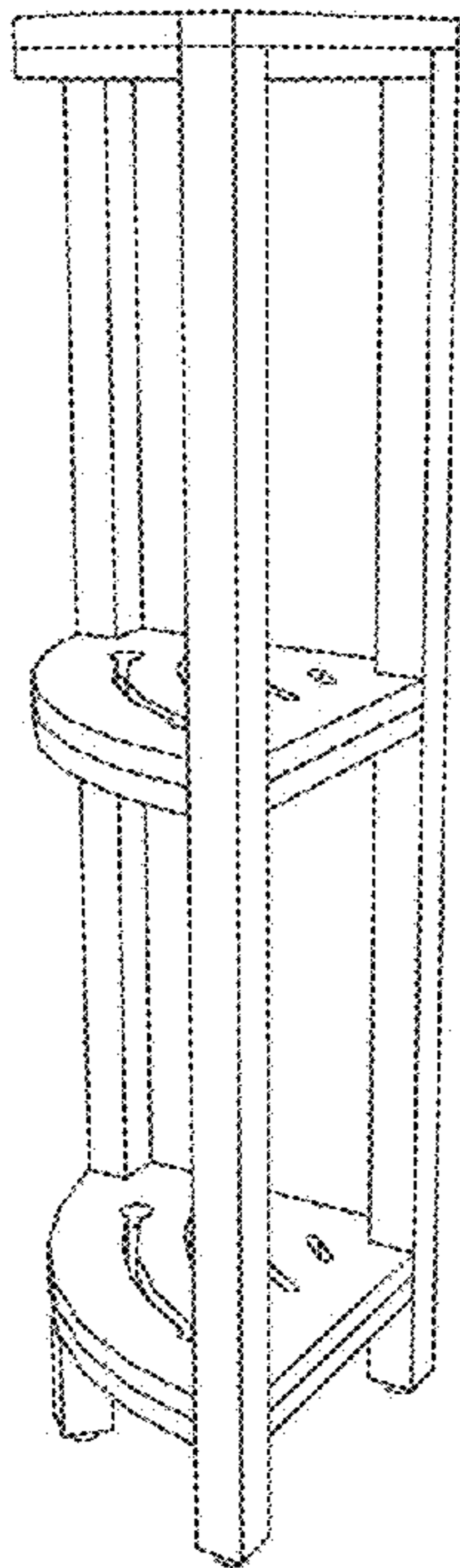
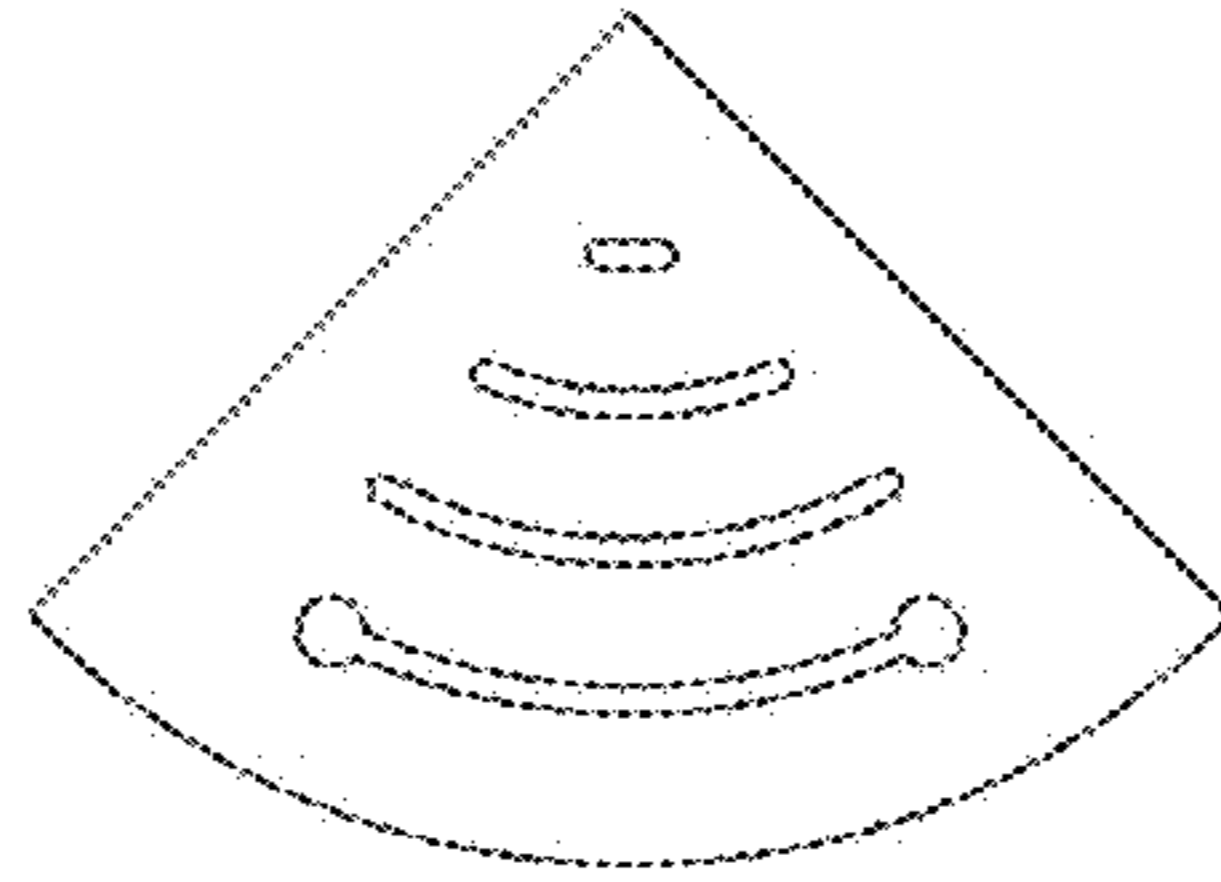


Fig. 3

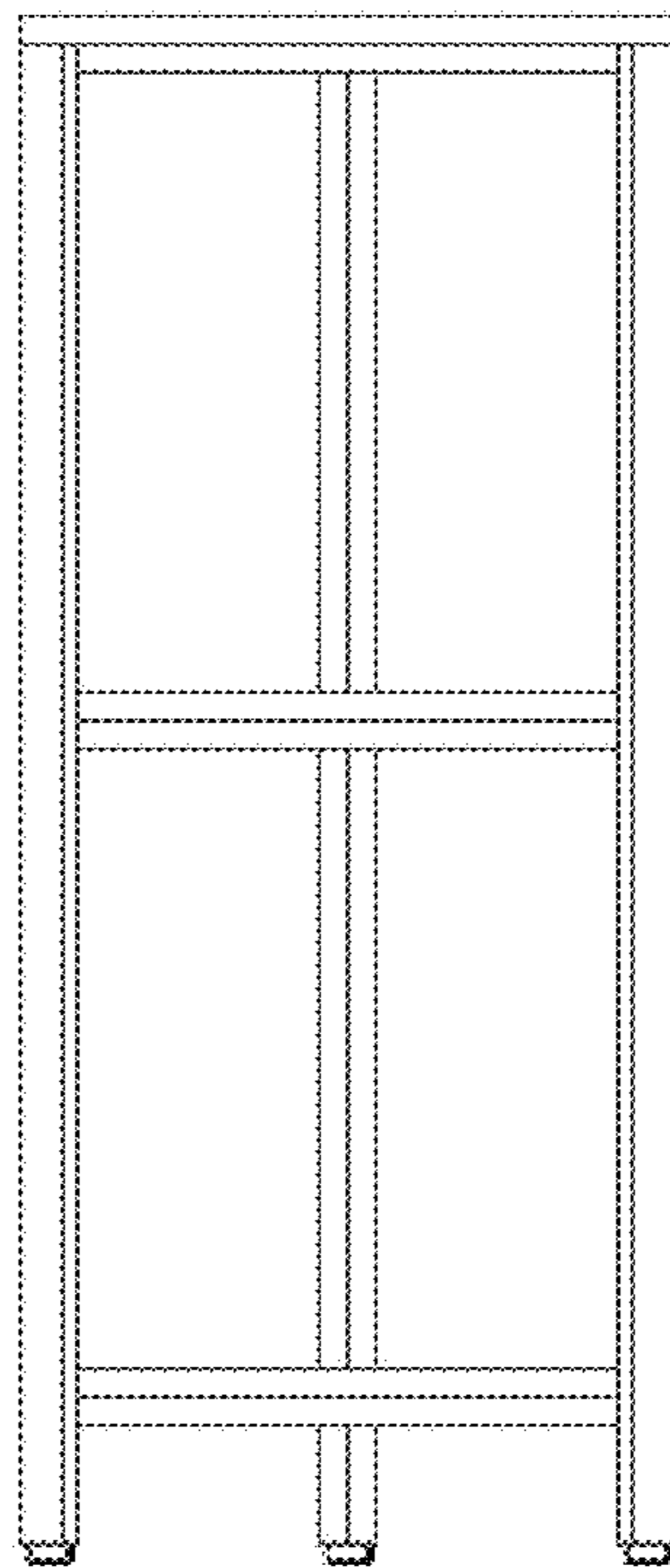


Fig. 2

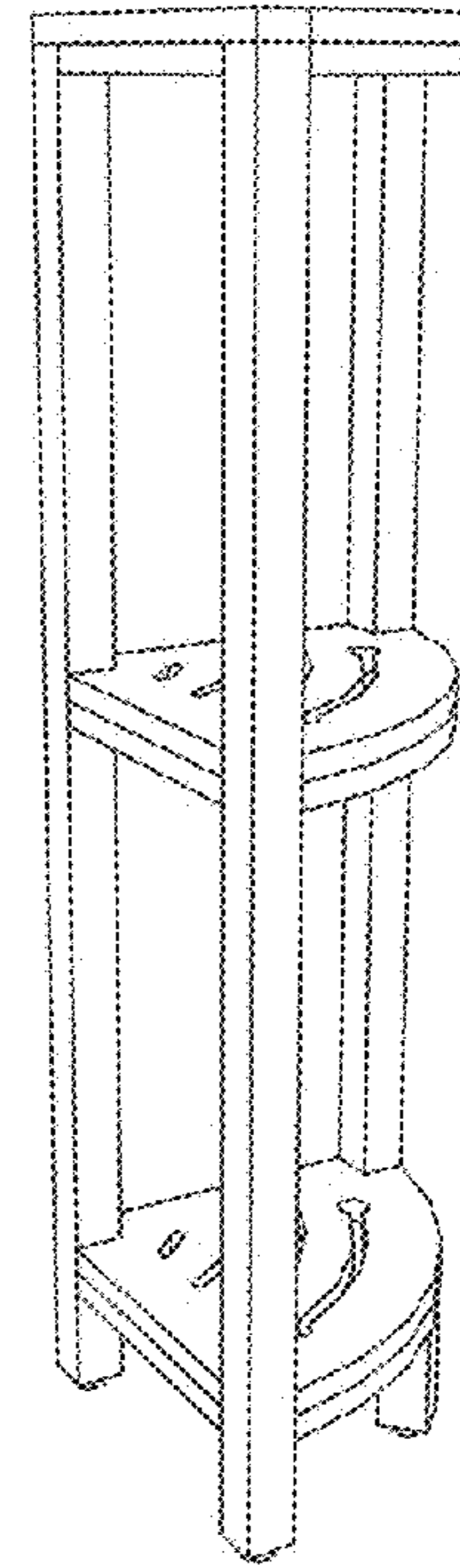


Fig. 4

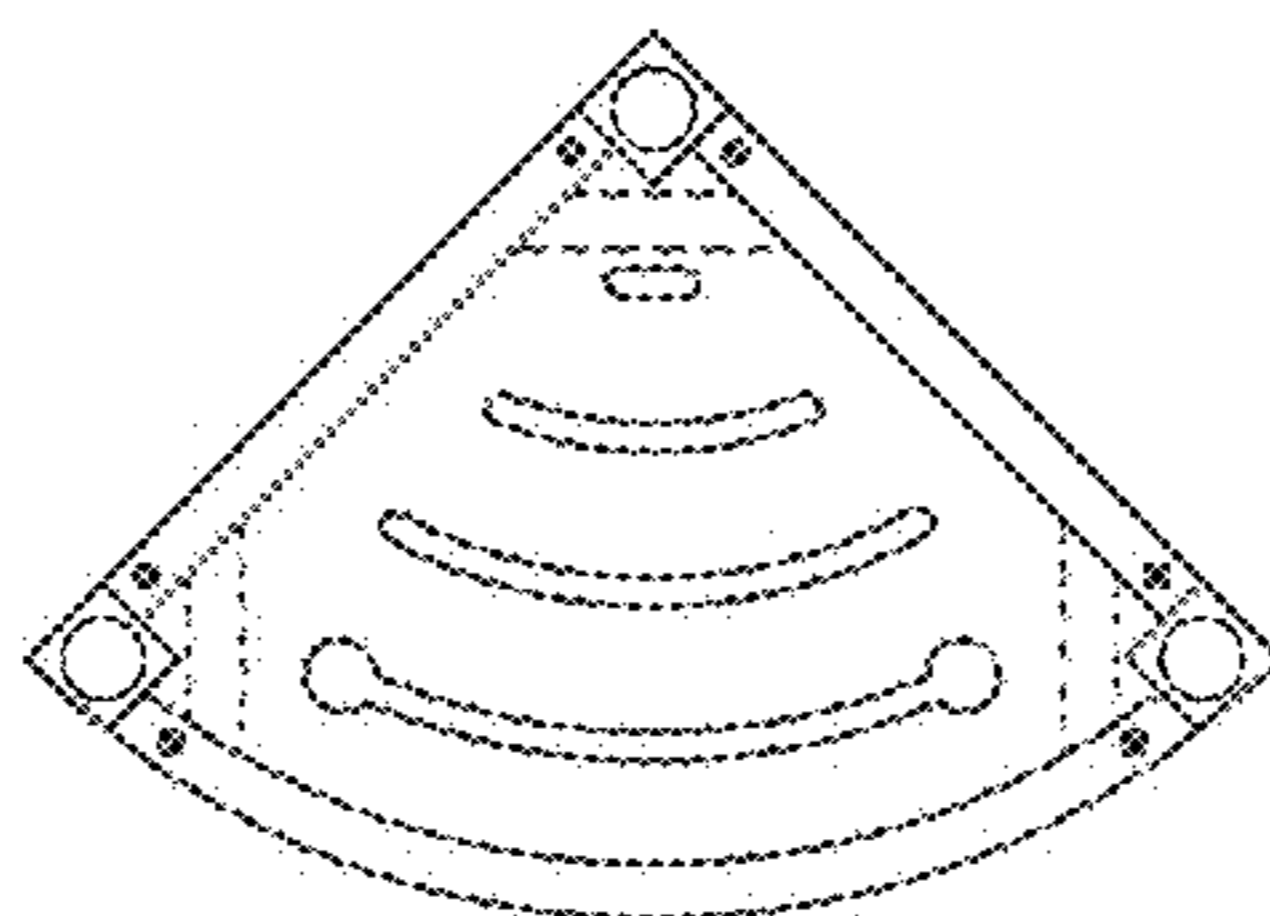


Fig. 6