



US00D713177S

(12) **United States Design Patent**
Litt

(10) **Patent No.:** **US D713,177 S**

(45) **Date of Patent:** **** Sep. 16, 2014**

(54) **NIGHT STAND**

(71) Applicant: **Kevin Litt**, Los Angeles, CA (US)

(72) Inventor: **Kevin Litt**, Los Angeles, CA (US)

(73) Assignee: **Amini Innovation Corporation**, Pico Rivera, CA (US)

(**) Term: **14 Years**

(21) Appl. No.: **29/471,292**

(22) Filed: **Oct. 30, 2013**

(51) **LOC (10) Cl.** **06-04**

(52) **U.S. Cl.**
USPC **D6/671.1**

(58) **Field of Classification Search**
CPC A47F 3/043; A47B 17/04; A47B 88/22;
A47B 67/005; A47B 67/00; A47B 67/02;
A47B 47/03; A47B 81/00; D06F 67/005
USPC D6/663, 664, 664.1, 671, 671.1, 671.2;
312/138.1, 204, 224, 237, 257.1;
D23/286
See application file for complete search history.

(56) **References Cited**

U.S. PATENT DOCUMENTS

1,553,455	A	9/1925	Meroni	
D109,986	S	6/1938	Hickerson	
D113,012	S	* 1/1939	Morgan D6/671.1
D150,825	S	9/1948	Buckner	
D198,795	S	8/1964	Hekler	
D234,177	S	1/1975	Keller	
D258,333	S	2/1981	Brown	
D373,033	S	8/1996	Rosebrock	
D400,733	S	11/1998	O'Hare	
D424,831	S	5/2000	O'Hare	
D437,503	S	2/2001	Ungaro	
D451,700	S	12/2001	Vaaler	
D454,262	S	* 3/2002	Chu et al. D6/671.1

D459,909	S	7/2002	Vaaler	
D467,095	S	12/2002	Vaaler	
D469,626	S	2/2003	Vaaler	
D469,982	S	2/2003	Warren et al.	
D470,686	S	2/2003	O'Hare	
D473,400	S	4/2003	O'Hare	
D474,922	S	5/2003	Vaaler	
D476,505	S	7/2003	Lenger	
D480,895	S	10/2003	Schmitt	
D486,980	S	2/2004	Schmitt	
D500,929	S	* 1/2005	Walker D6/671.1
D526,143	S	* 8/2006	Bruce D6/671.1
D538,406	S	* 3/2007	Mayer D23/286
D554,897	S	* 11/2007	Mayer et al. D6/671.1

OTHER PUBLICATIONS

Furniture Today, Arbek Nightstand, p. 153, Oct. 11, 1999, 1 page.
Furniture Today, Nightstand, p. 86, Oct. 14, 2002, 1 page.
Furniture Today, Source Mktg. Group Nightstand, p. 192, Oct. 14, 2002, 1 page.
Amini Innovation Corp., Royal Oak Collection, #31000 Series, Sep. 11, 2002, 1 page.

(Continued)

Primary Examiner — Mimoso De
(74) *Attorney, Agent, or Firm* — Cisio & Thomas, LLP

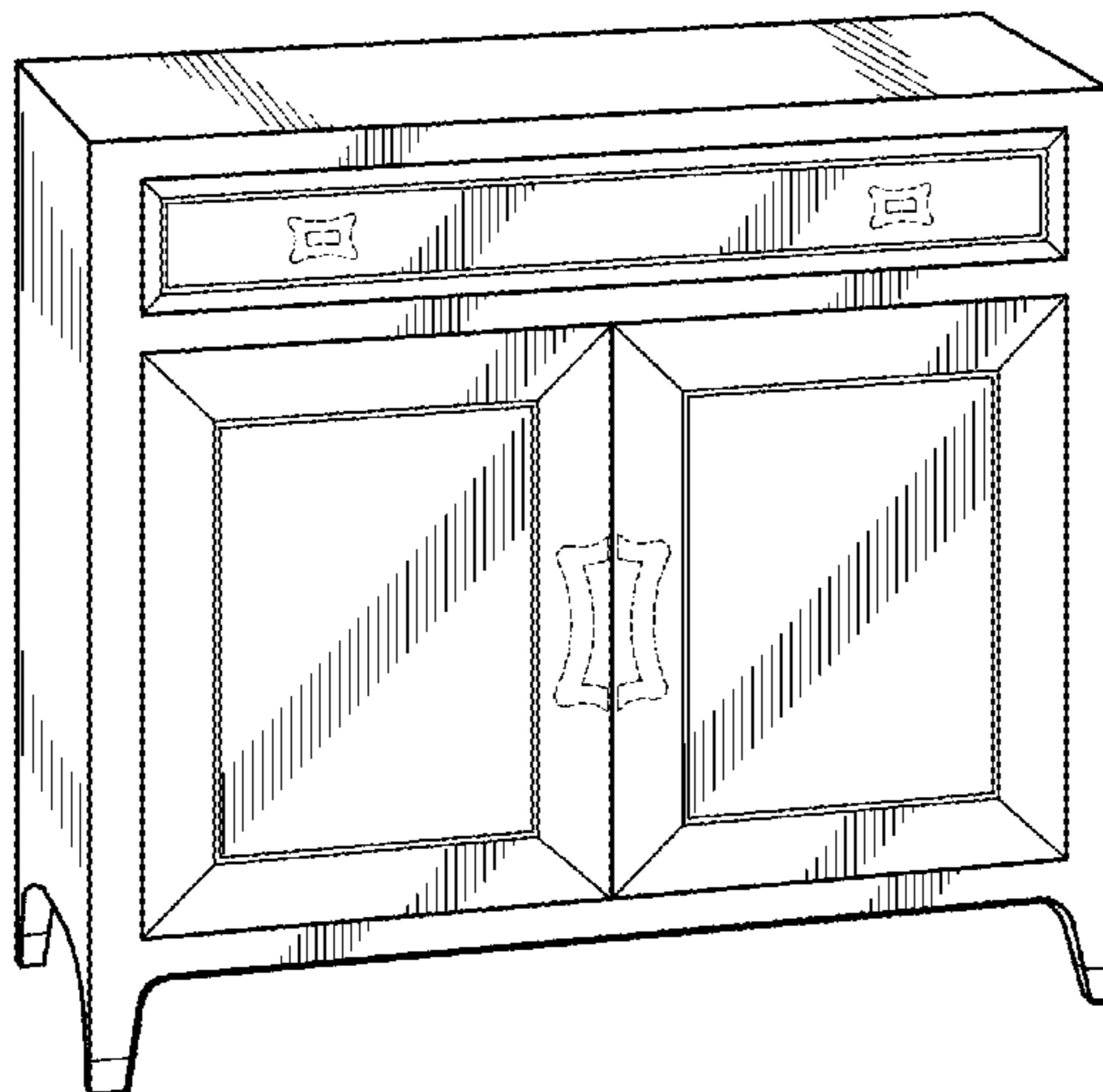
(57) **CLAIM**

I claim the ornamental design for a night stand, as shown and described.

DESCRIPTION

FIG. 1 is a perspective view of my night stand;
FIG. 2 is a front view thereof;
FIG. 3 is a right side view, the left side (not shown) is a mirror image thereof; and,
FIG. 4 is a top view of my night stand.
The broken lines are for environmental purposes only and form no part of the claimed design.

1 Claim, 2 Drawing Sheets



(56)

References Cited

OTHER PUBLICATIONS

Amini Innovation Corp., Torino Collection, #56000 Series, Apr. 18, 2002, 1 page.

Amini Innovation Corp., Paradisio Collection, #52000 Series, 2003 1 page.

Amini Innovation Corp., Trevi Bedside Chest, Sep. 20, 2004, 1 page.

* cited by examiner

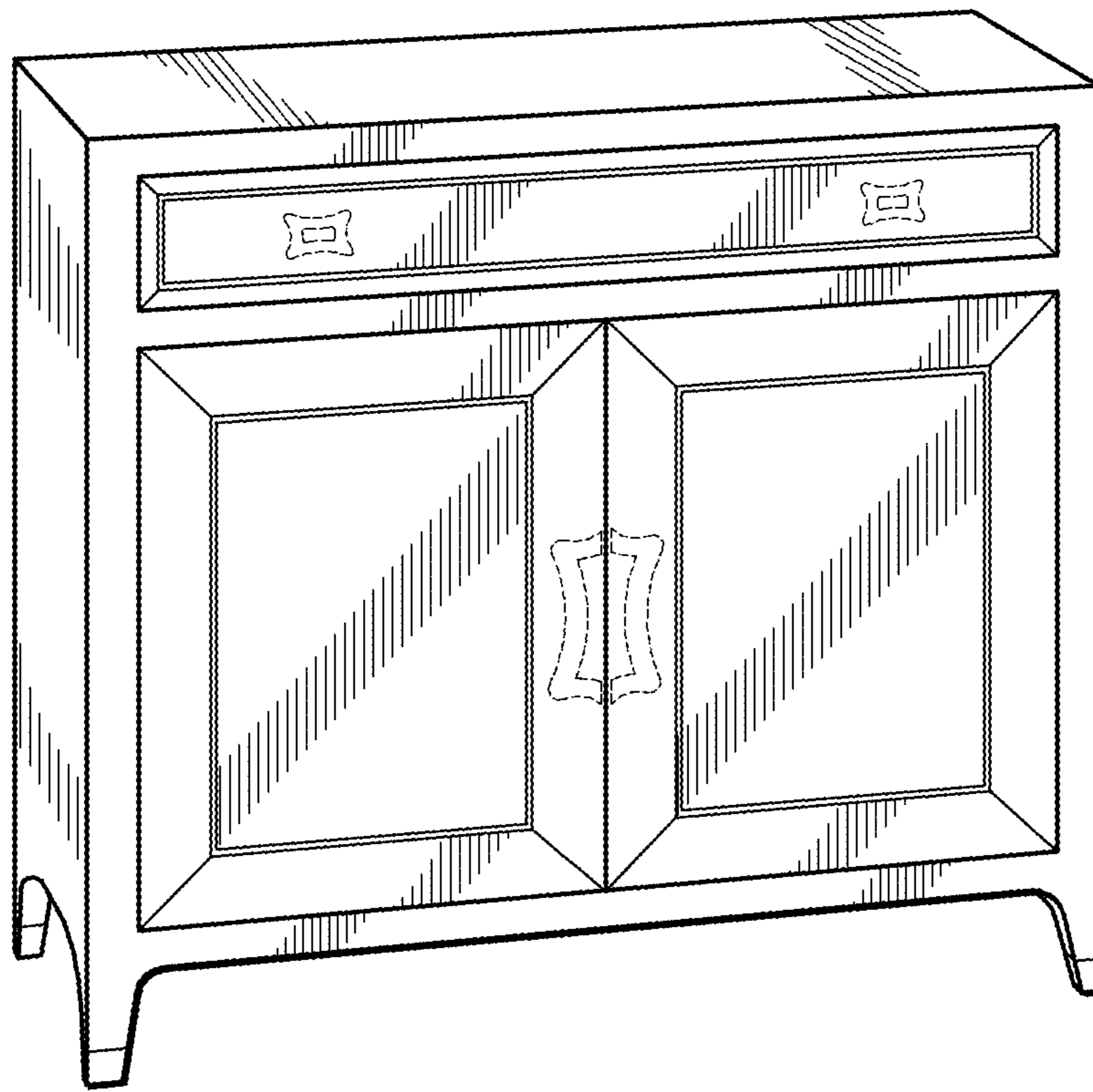


FIG. 1

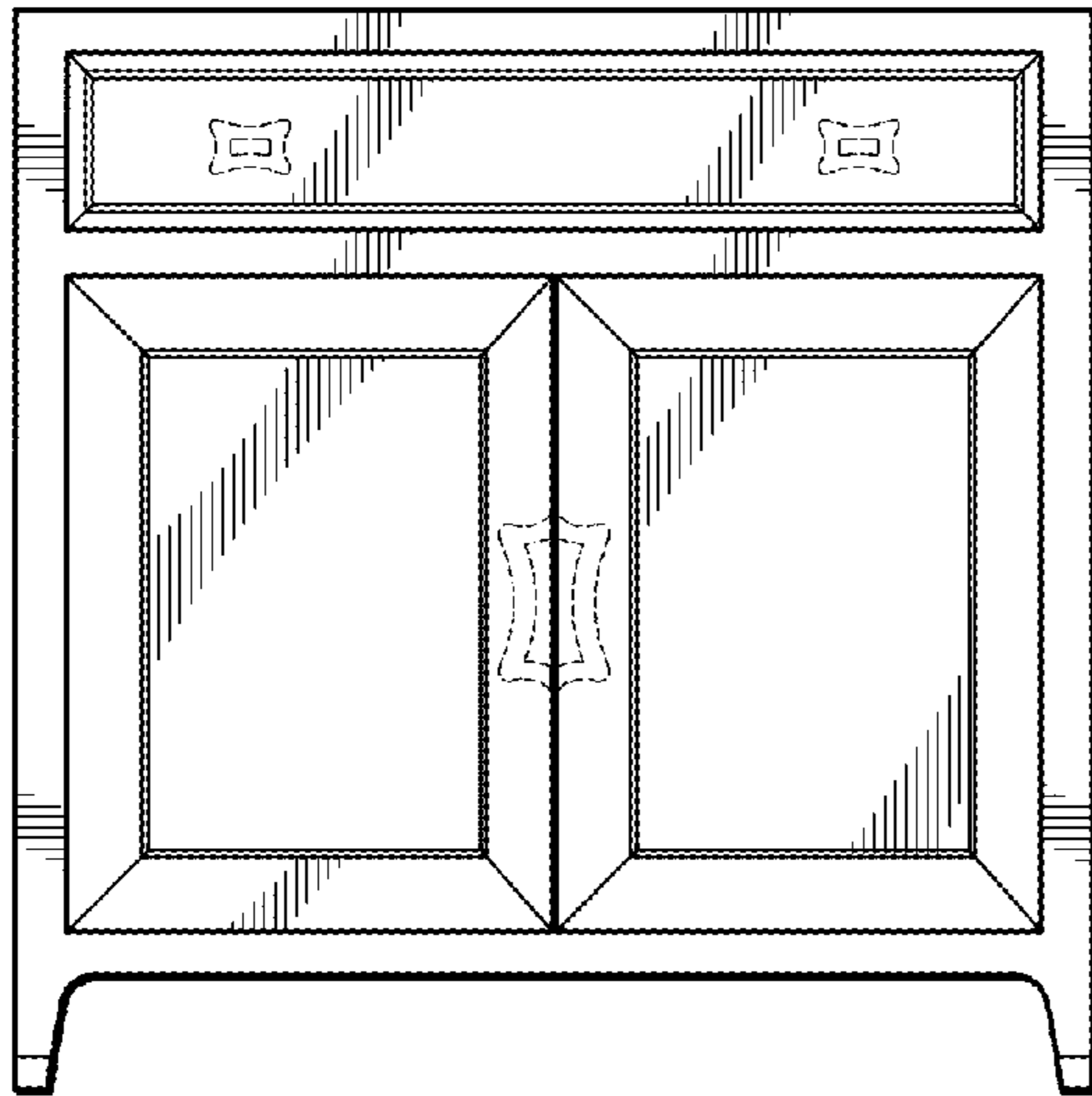


FIG. 2

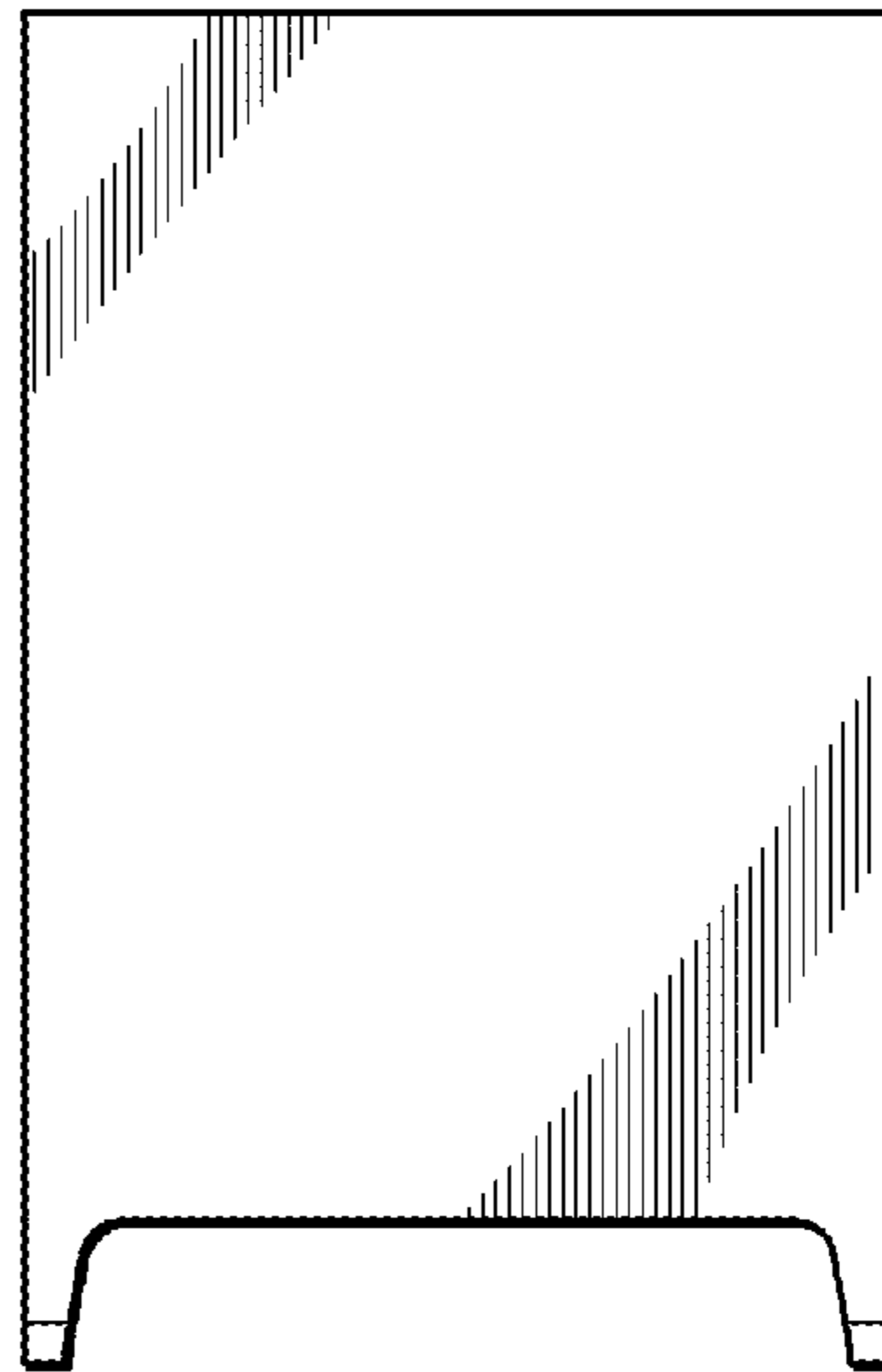


FIG. 3

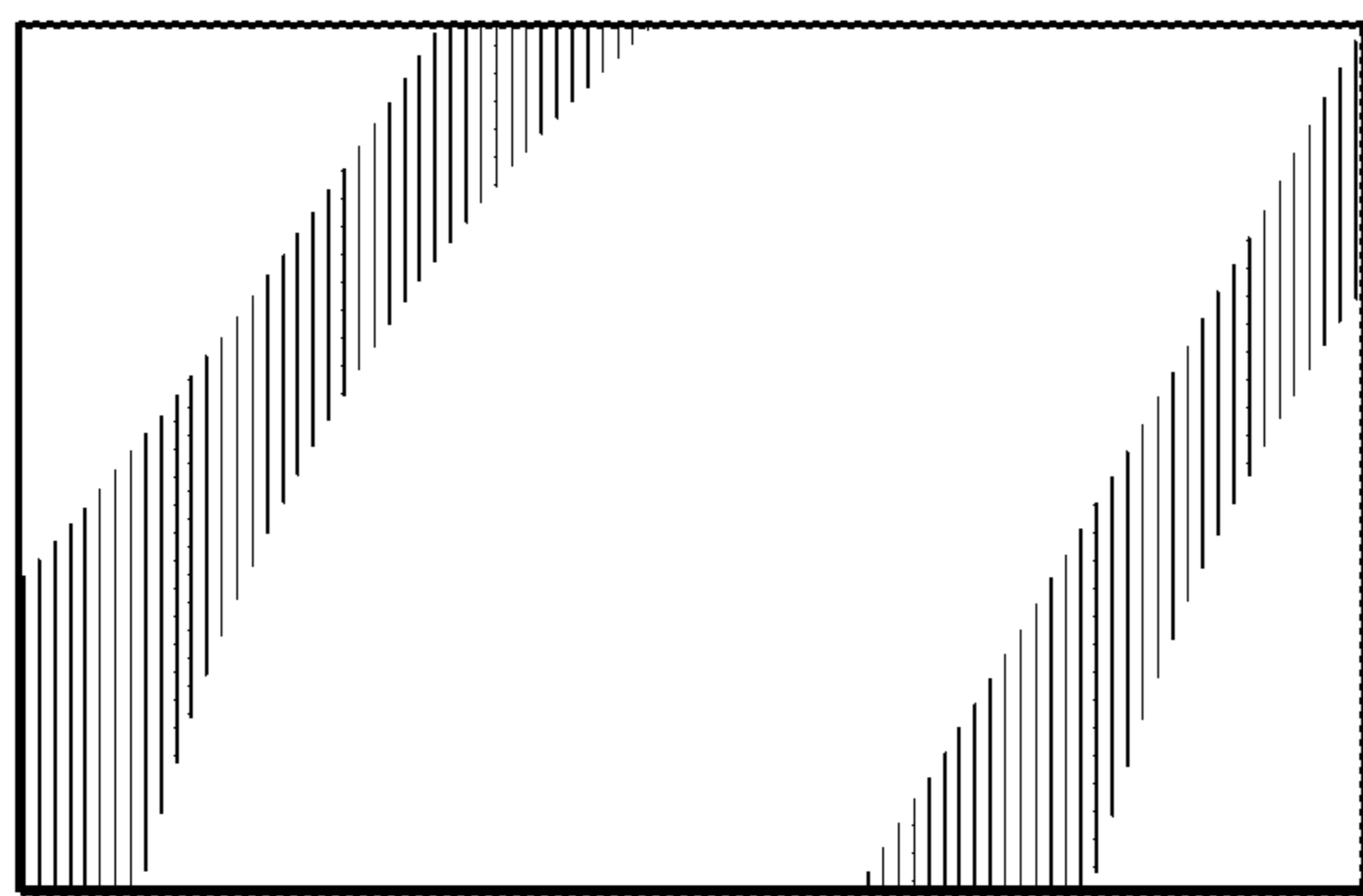


FIG. 4