



US00D713165S

(12) **United States Design Patent**
Robinson

(10) **Patent No.:** **US D713,165 S**

(45) **Date of Patent:** **** Sep. 16, 2014**

(54) **INFANT PROTECTIVE PORTABLE MATTRESS**

D636,622 S * 4/2011 Quinter et al. D6/595
D674,644 S * 1/2013 Stewart D6/601
2009/0106894 A1* 4/2009 Yeo 5/93.1

(71) Applicant: **Etta Robinson**, Hendersonville, NC (US)

* cited by examiner

(72) Inventor: **Etta Robinson**, Hendersonville, NC (US)

Primary Examiner — Janice Seeger

(74) *Attorney, Agent, or Firm* — QuickPatents; Kevin Prince

(**) Term: **14 Years**

(57) **CLAIM**

I claim the ornamental design for an infant protective portable mattress, as shown and described.

(21) Appl. No.: **29/457,766**

DESCRIPTION

(22) Filed: **Jun. 12, 2013**

(51) **LOC (10) Cl.** **06-02**

(52) **U.S. Cl.**
USPC **D6/391; D6/596**

(58) **Field of Classification Search**
USPC D6/331, 333, 385, 390, 391, 718, 595,
D6/596, 601; 5/93.1, 98.1, 98.2, 99.1, 101,
5/105, 655; D23/278; D30/118
See application file for complete search history.

FIG. 1 is an exploded perspective view of an infant protective portable mattress, showing my new design;
FIG. 2 is a perspective view thereof, illustrated in a deployed configuration;
FIG. 3 is a front elevational view of FIG. 2, the rear elevational view being a mirror image thereof;
FIG. 4 is a left-side elevational view of FIG. 2, the right-side elevational view being a mirror image thereof;
FIG. 5 is a top plan view of FIG. 2;
FIG. 6 is a bottom plan view of FIG. 2; and,
FIG. 7 is a perspective view thereof, illustrated in a collapsed configuration.

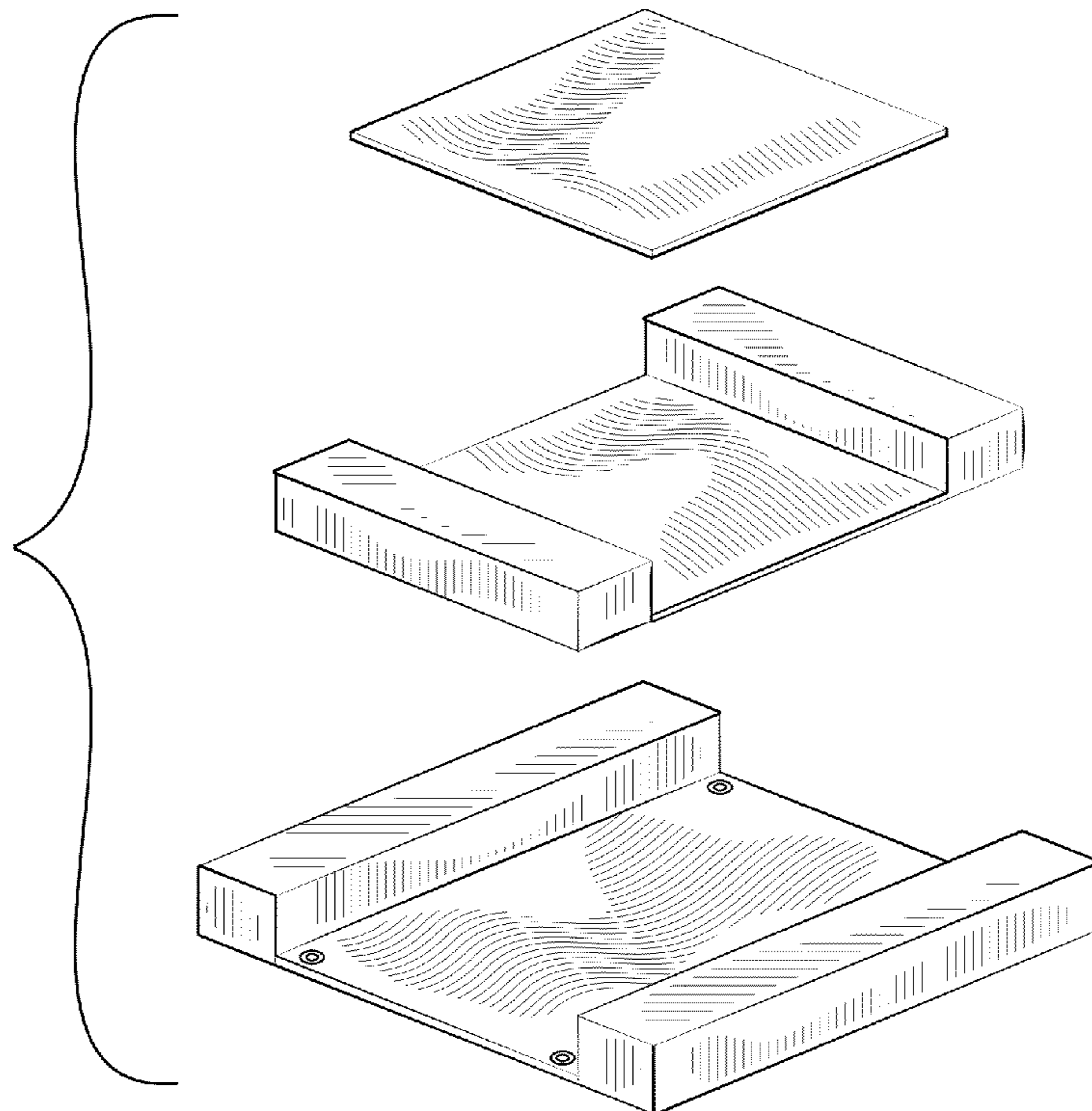
The broken lines showing a carrying bag in FIG. 7 depict environmental matter and form no part of the claimed design.

(56) **References Cited**

U.S. PATENT DOCUMENTS

5,937,465 A * 8/1999 Carew et al. 5/732
6,026,525 A * 2/2000 Davis 5/99.1
6,408,463 B1 * 6/2002 Palacio 5/424

1 Claim, 3 Drawing Sheets



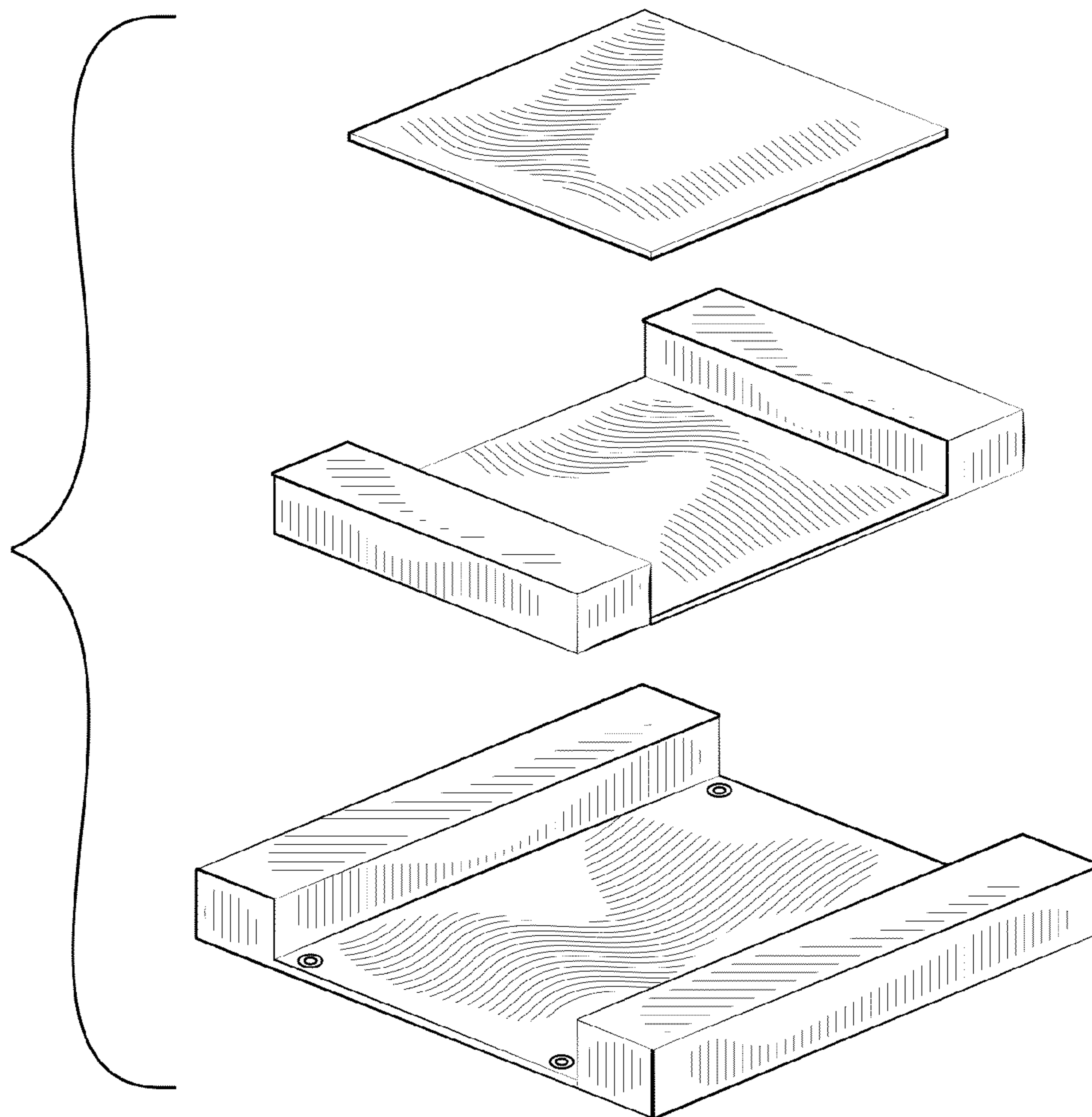


FIG. 1

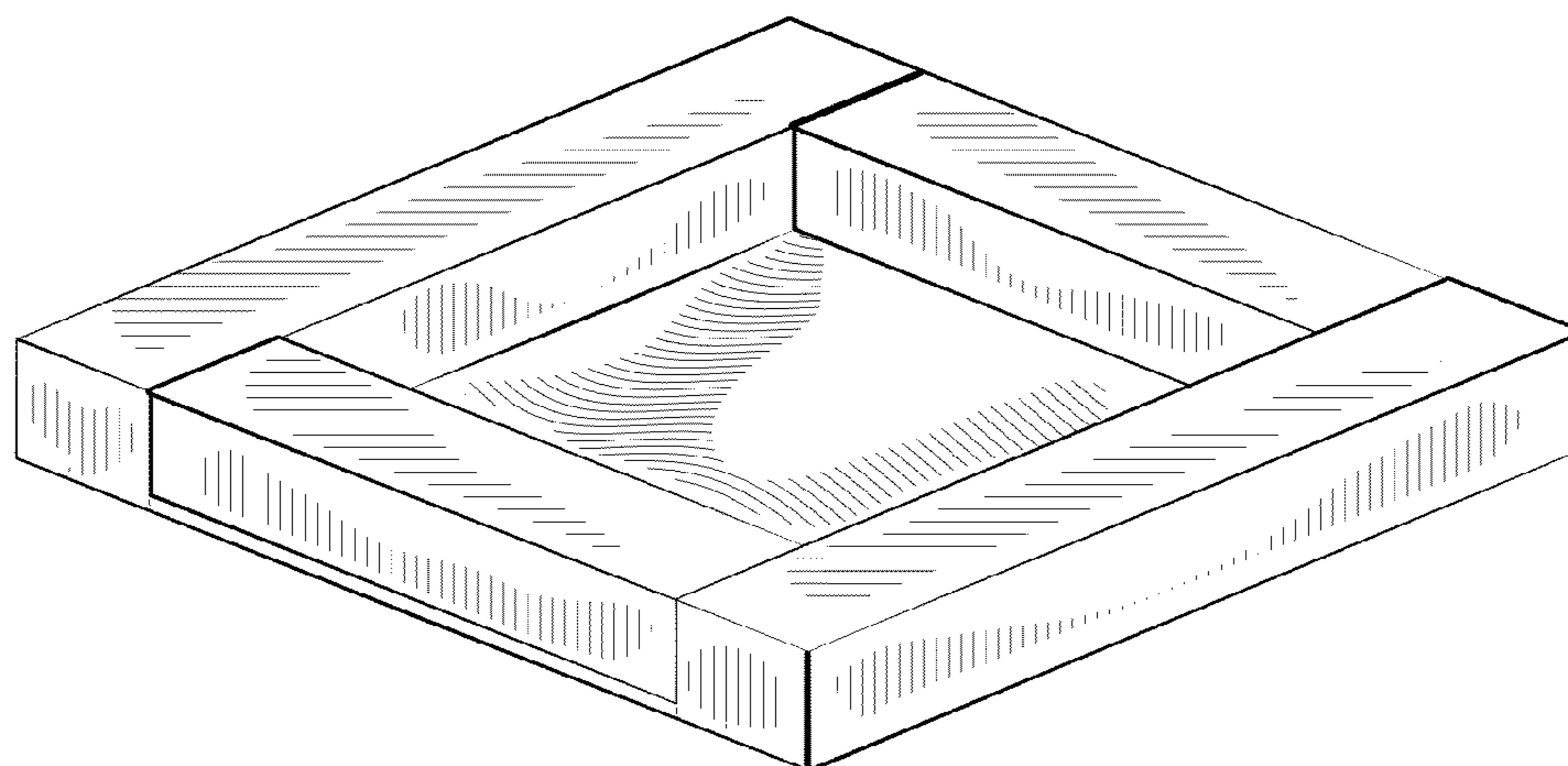


FIG. 2

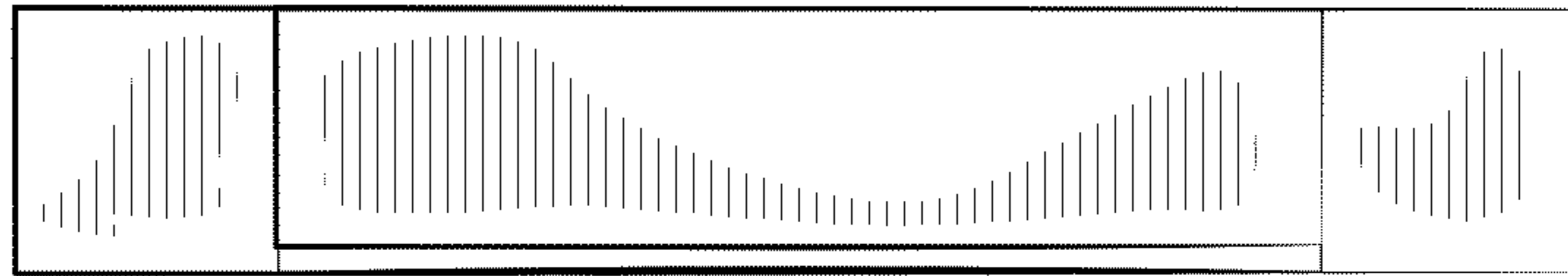


FIG. 3

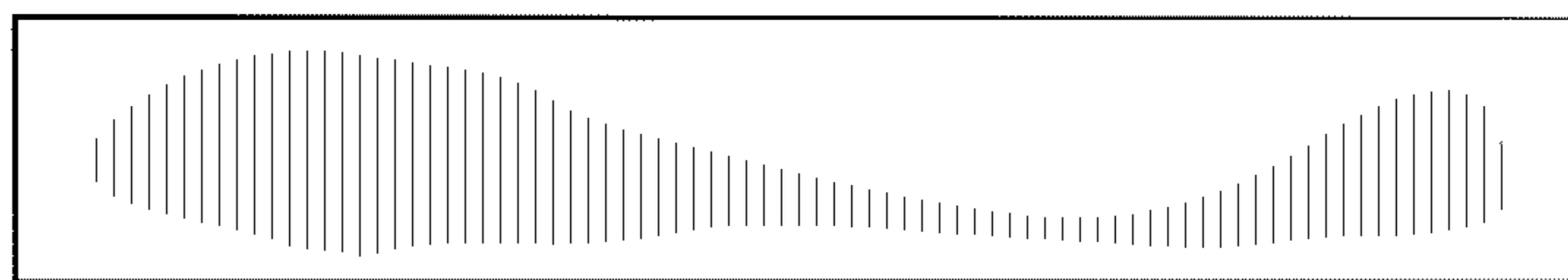


FIG. 4

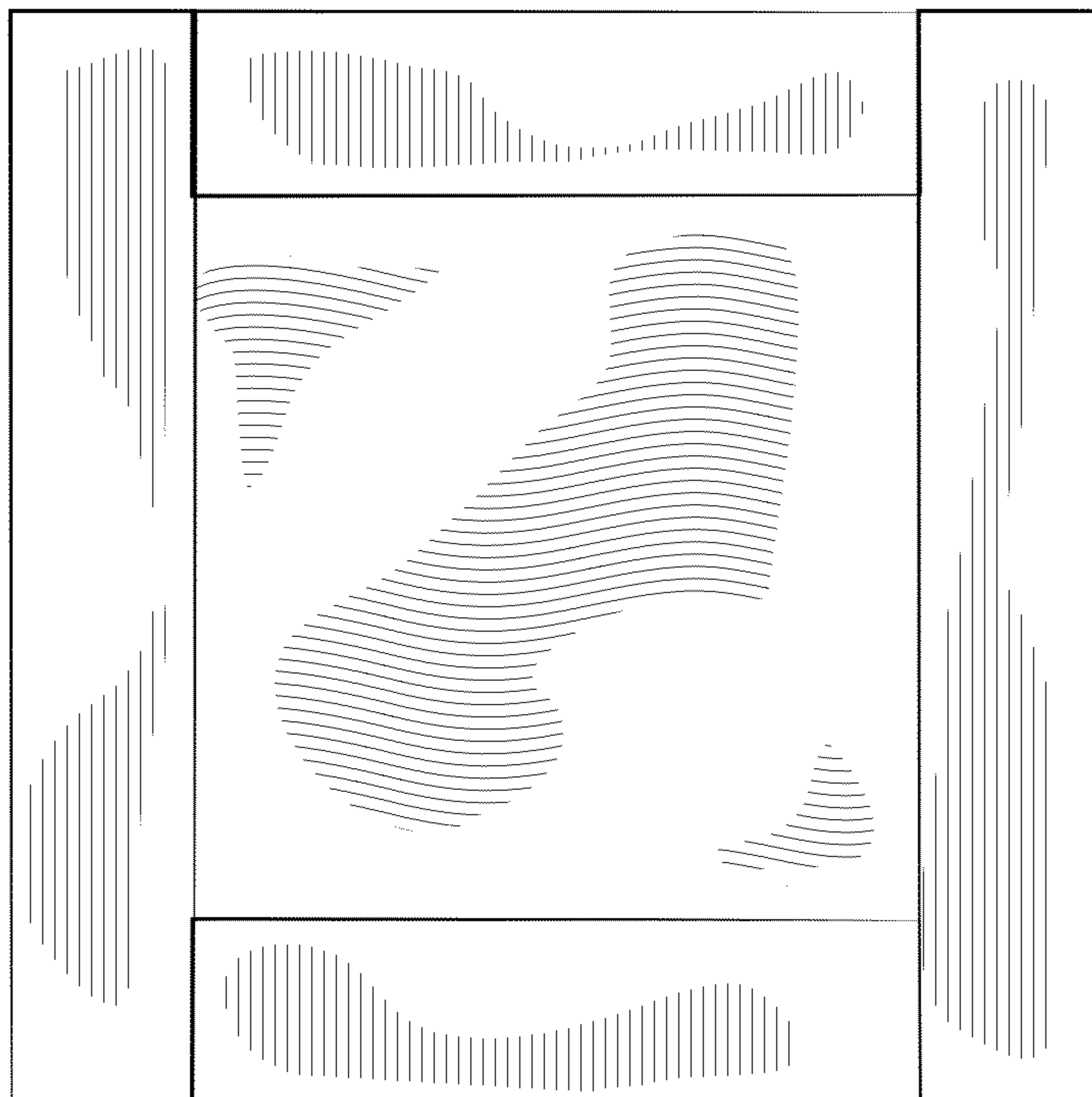


FIG. 5

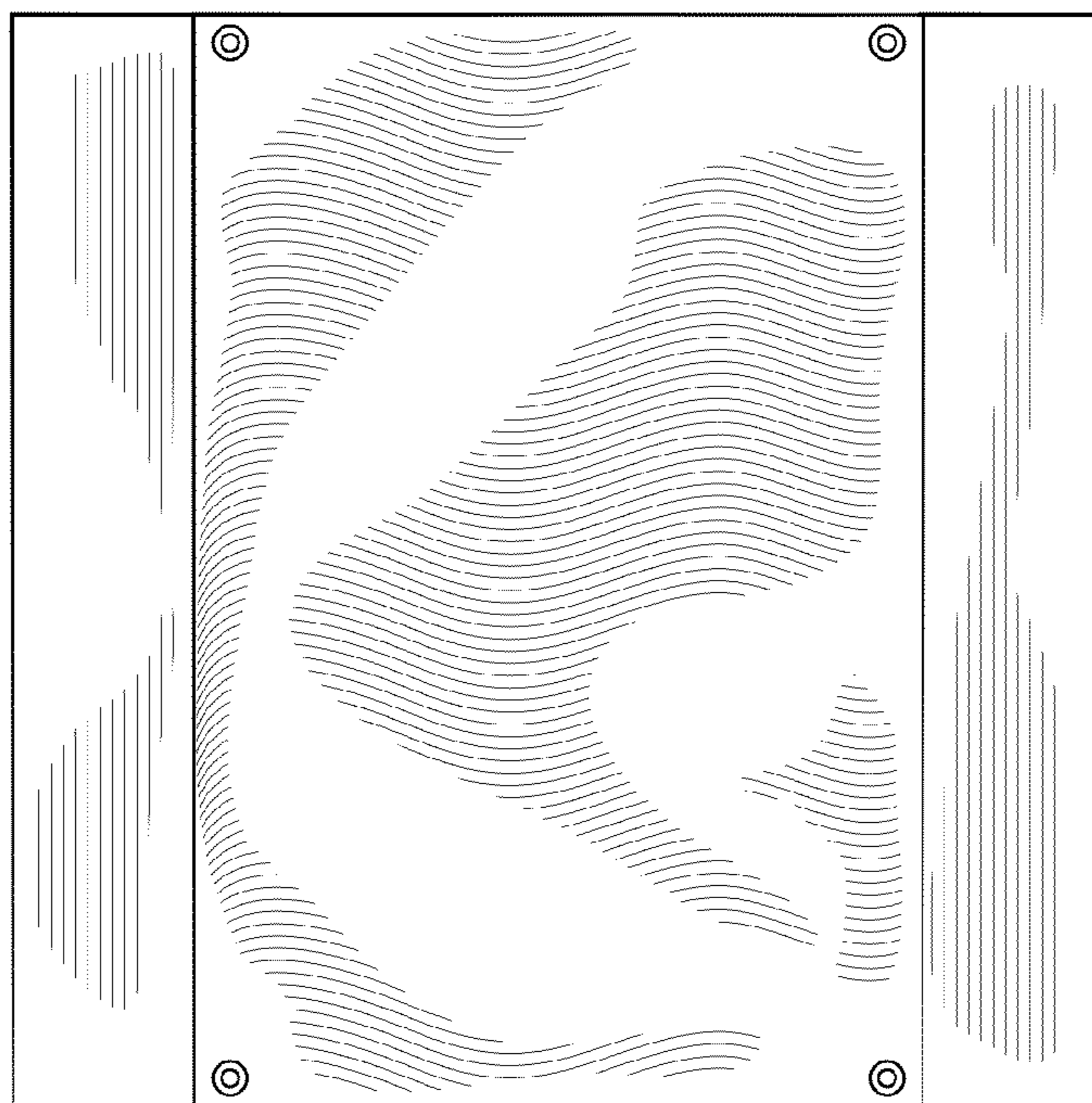


FIG. 6

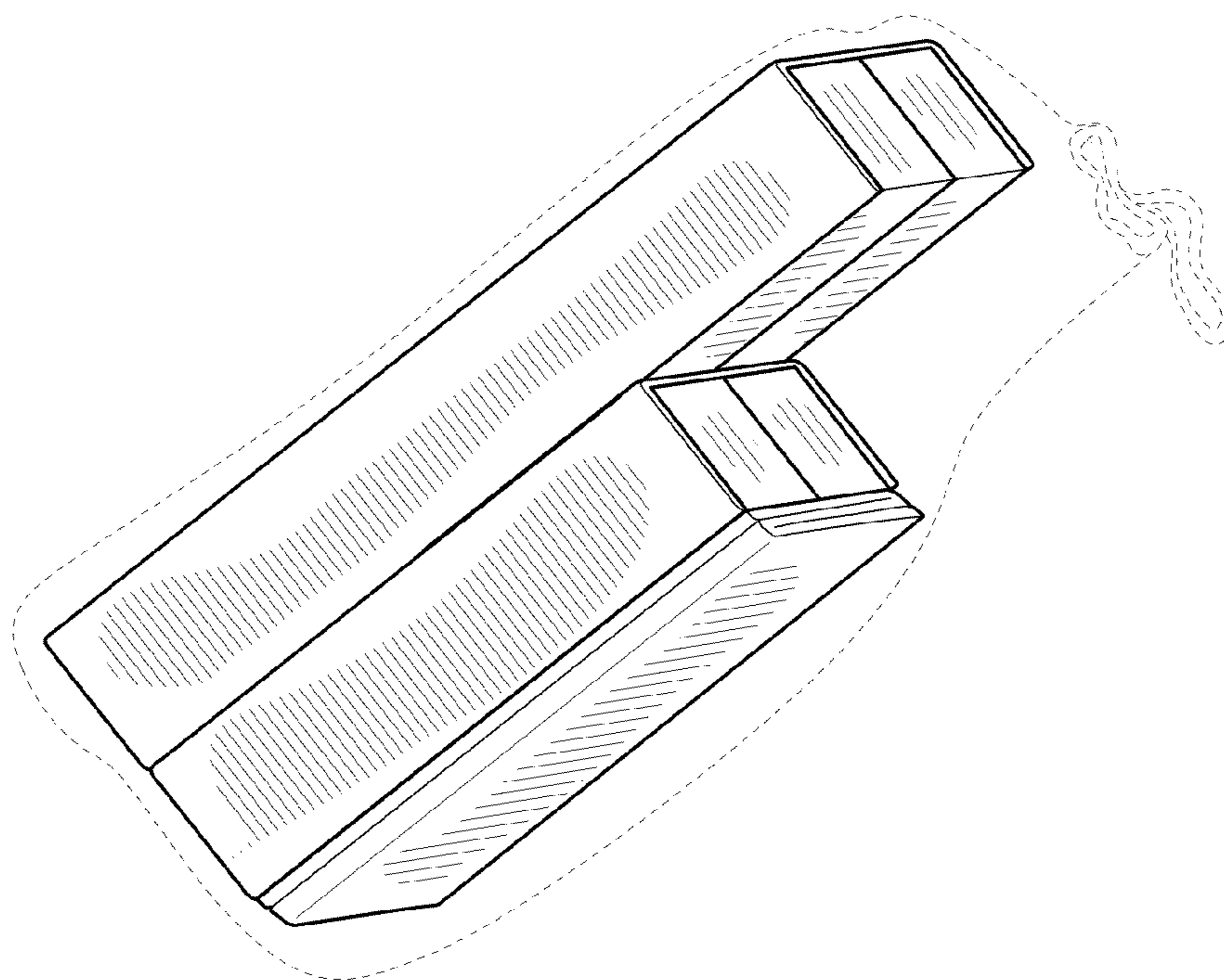


FIG. 7