



US00D713163S

(12) **United States Design Patent**  
**Pedersen et al.**

(10) **Patent No.:** **US D713,163 S**

(45) **Date of Patent:** **\*\* Sep. 16, 2014**

(54) **CHAIR**

(71) Applicant: **Target Brands, Inc.**, Minneapolis, MN (US)

(72) Inventors: **Sara L. Pedersen**, Minneapolis, MN (US); **Chad M. Bogdan**, St. Paul, MN (US); **Zachary S. Bloch**, Minneapolis, MN (US); **Kirk E. Morris**, Minneapolis, MN (US); **Katherine R. Wittenberg**, St. Paul, MN (US); **George K. Smithwick**, Blaine, MN (US)

(73) Assignee: **Target Brands, Inc.**, Minneapolis, MN (US)

(\*\*) Term: **14 Years**

(21) Appl. No.: **29/489,475**

(22) Filed: **Apr. 30, 2014**

(51) **LOC (10) Cl.** ..... **06-01**

(52) **U.S. Cl.**  
USPC ..... **D6/370**

(58) **Field of Classification Search**  
CPC ..... A47C 4/08; A47C 4/12; A47C 4/16;  
A47C 1/026; A47C 4/02; A47C 4/03; A47C  
7/16; A47C 7/22  
USPC ..... D6/334–336, 368, 370, 374, 379, 380,  
D6/716, 716.1, 716.2, 716.3, 716.4;  
297/31, 377, 411.43, 440.15, 445.1,  
297/452.63  
See application file for complete search history.

(56) **References Cited**

**U.S. PATENT DOCUMENTS**

D66,525 S 1/1925 Wurdack et al.  
D68,027 S 8/1925 Wurdack  
D78,926 S \* 7/1929 Gottlos ..... D6/370  
D84,585 S 7/1931 Ledder et al.  
D109,239 S 4/1938 Wolpin

2,222,296 A 11/1940 Luiken  
2,385,072 A 9/1945 Gray  
D148,391 S \* 1/1948 Plourde et al. .... D6/370  
2,490,884 A 12/1949 Rau  
2,600,626 A 6/1952 Ellingson  
2,650,652 A 9/1953 Watson  
4,635,998 A 1/1987 Hickey  
D295,927 S 5/1988 Hickey  
4,976,492 A 12/1990 Ziegler  
5,120,071 A 6/1992 Thibault et al.  
D334,299 S 3/1993 Embree  
D350,860 S 9/1994 Greeson  
D371,466 S \* 7/1996 Boisson ..... D6/370  
5,911,469 A 6/1999 Young  
D413,452 S 9/1999 Rhienen  
D413,736 S 9/1999 Jackson

(Continued)

**OTHER PUBLICATIONS**

3 D Furniture Design, "Adirondack Chair," <http://www.3dfurnituredesign.com/Chair/adirondack%20chair.jpg>, at least as early as Jul. 2010, 1 page.

*Primary Examiner* — Mimoso De

(74) *Attorney, Agent, or Firm* — Leanne Taveggia Farrell; Westman, Champlin & Koehler, P.A.

(57) **CLAIM**

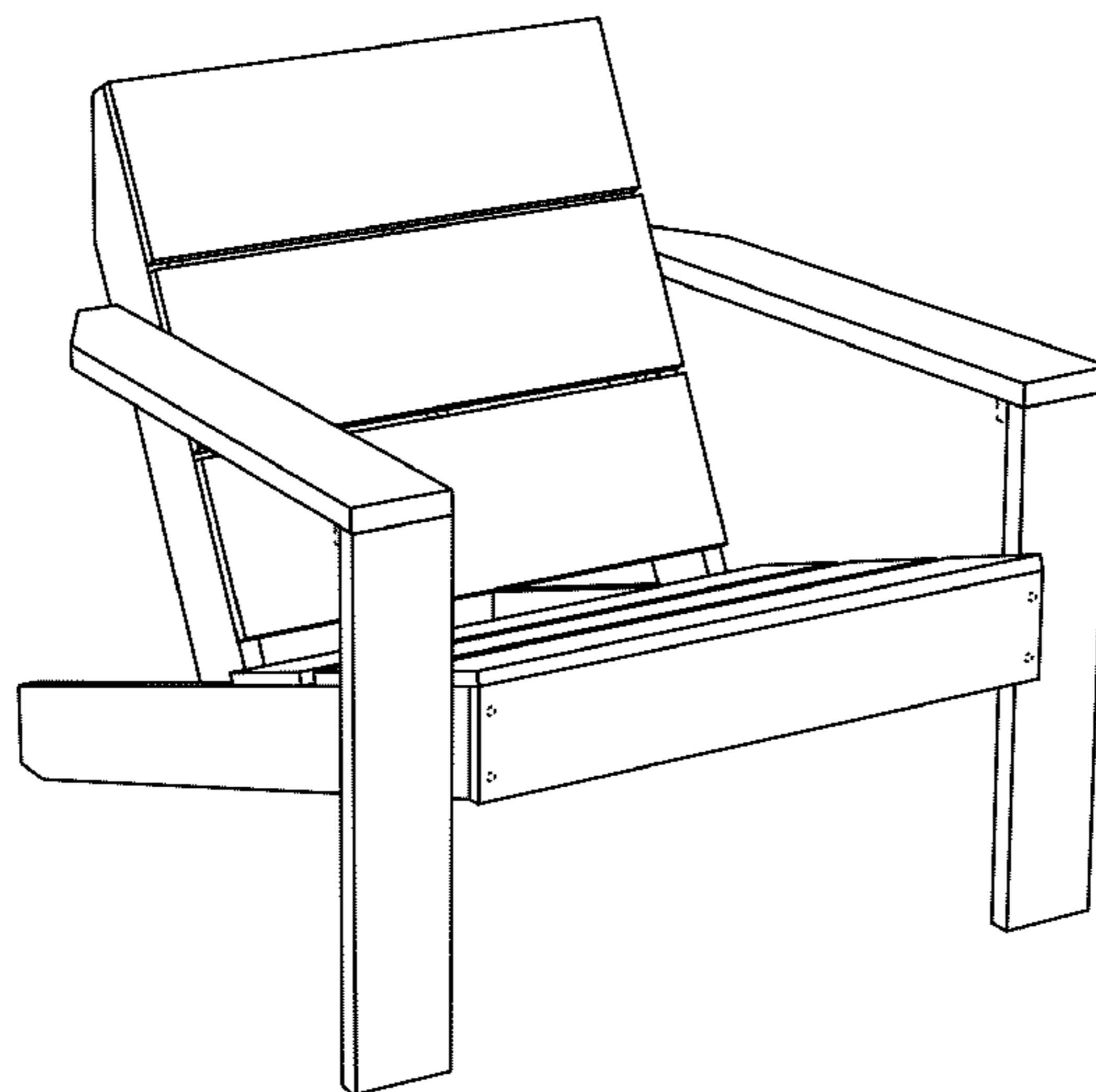
The ornamental design for a chair, as shown and described.

**DESCRIPTION**

FIG. 1 is a perspective view of a chair;  
FIG. 2 is a front view thereof;  
FIG. 3 is a back view thereof;  
FIG. 4 is a right side view thereof;  
FIG. 5 is a left side view thereof;  
FIG. 6 is a top view thereof; and,  
FIG. 7 is a bottom view thereof.

The broken lines shown in the drawings are included for purposes of illustrating portions of the chair and form no part of the claimed design.

**1 Claim, 5 Drawing Sheets**



# US D713,163 S

Page 2

---

(56)

## References Cited

### U.S. PATENT DOCUMENTS

D425,719 S 5/2000 Chalmers et al.  
D509,970 S 9/2005 Adams  
D570,127 S 6/2008 Spink

7,401,854 B2 7/2008 Adams  
D607,223 S 1/2010 Adams et al.  
D646,071 S \* 10/2011 Bogdan et al. .... D6/370  
D687,234 S 8/2013 Pedersen et al.

\* cited by examiner

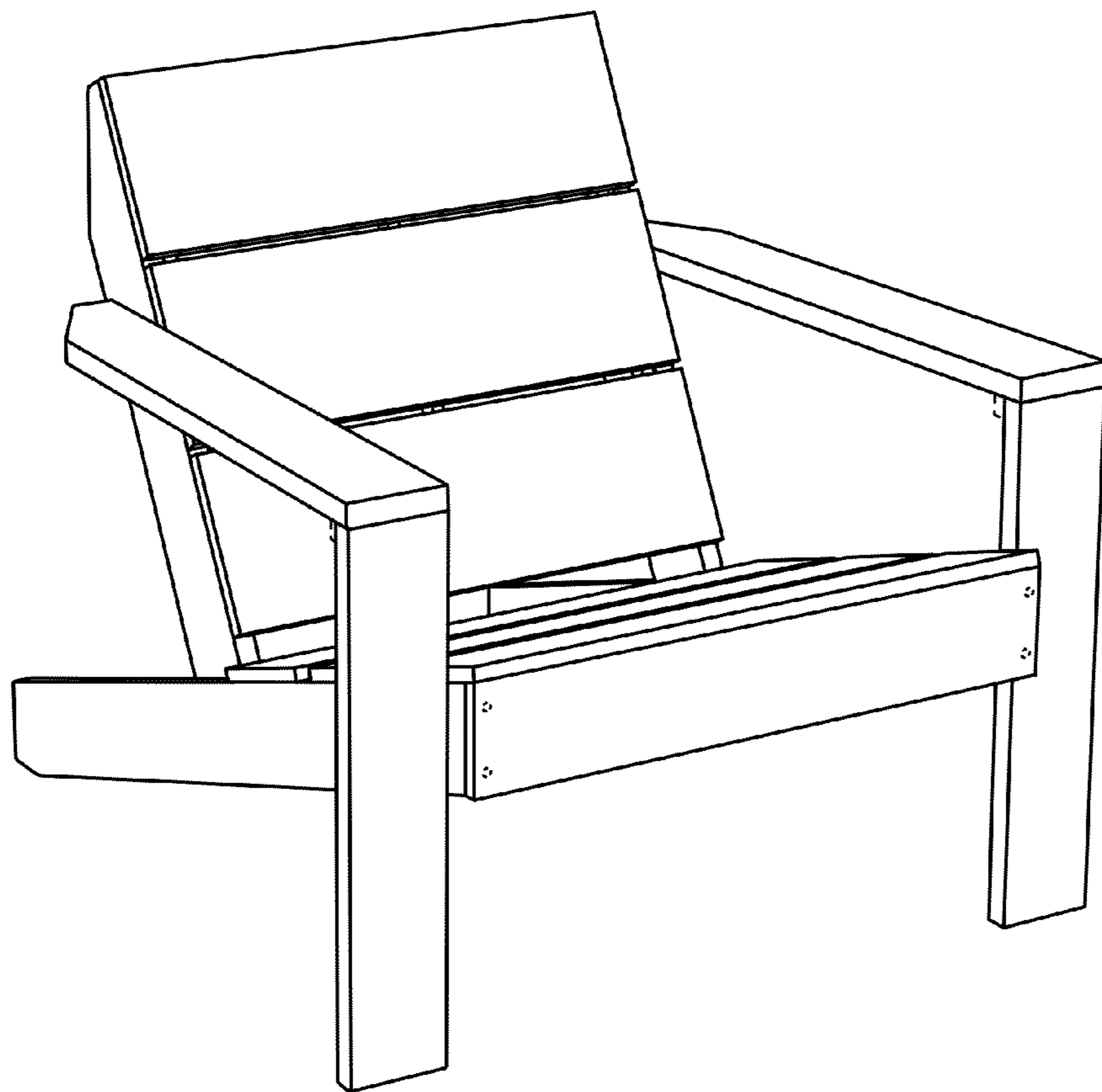


Fig. 1

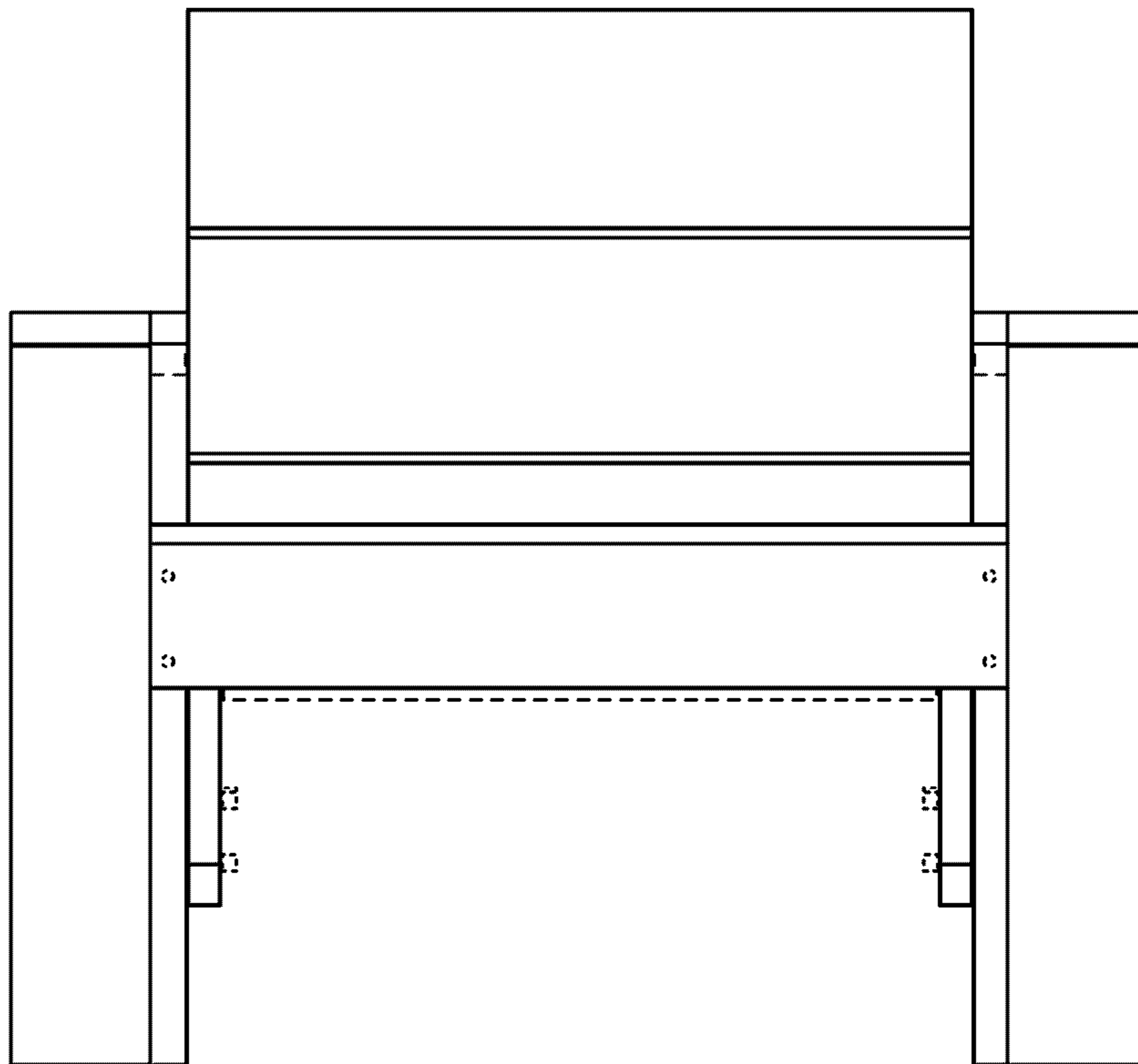


Fig. 2

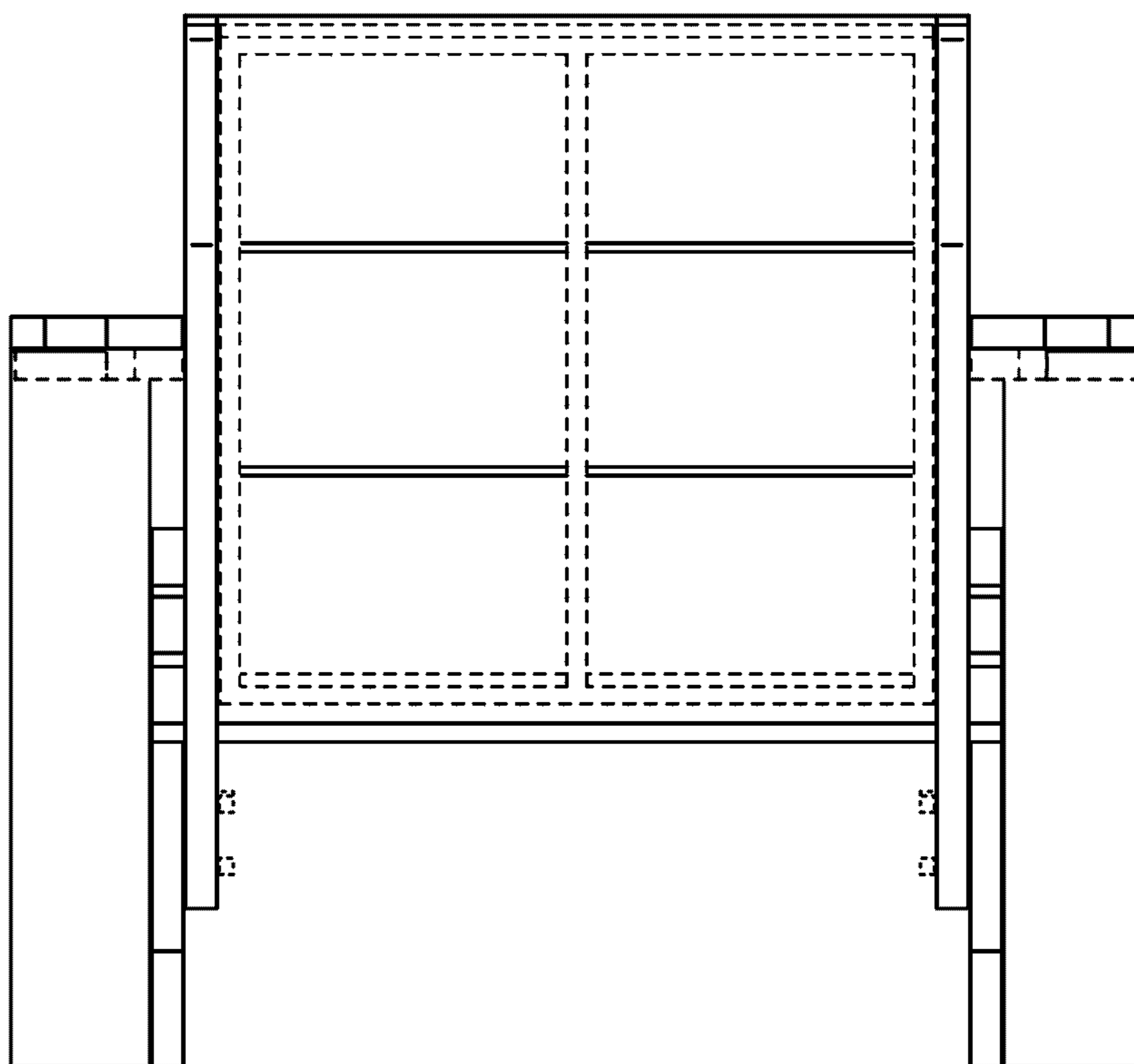


Fig. 3

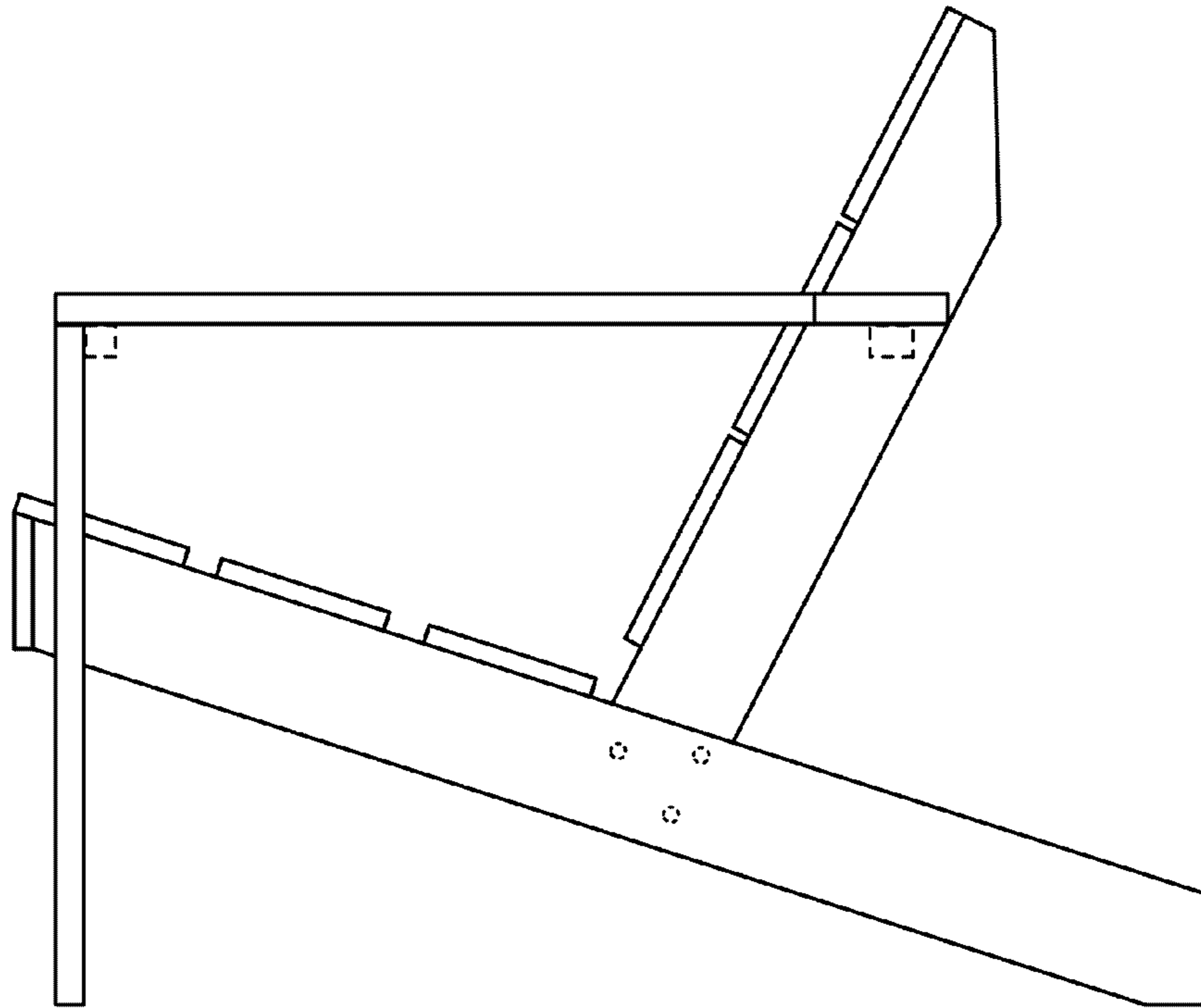


Fig. 4

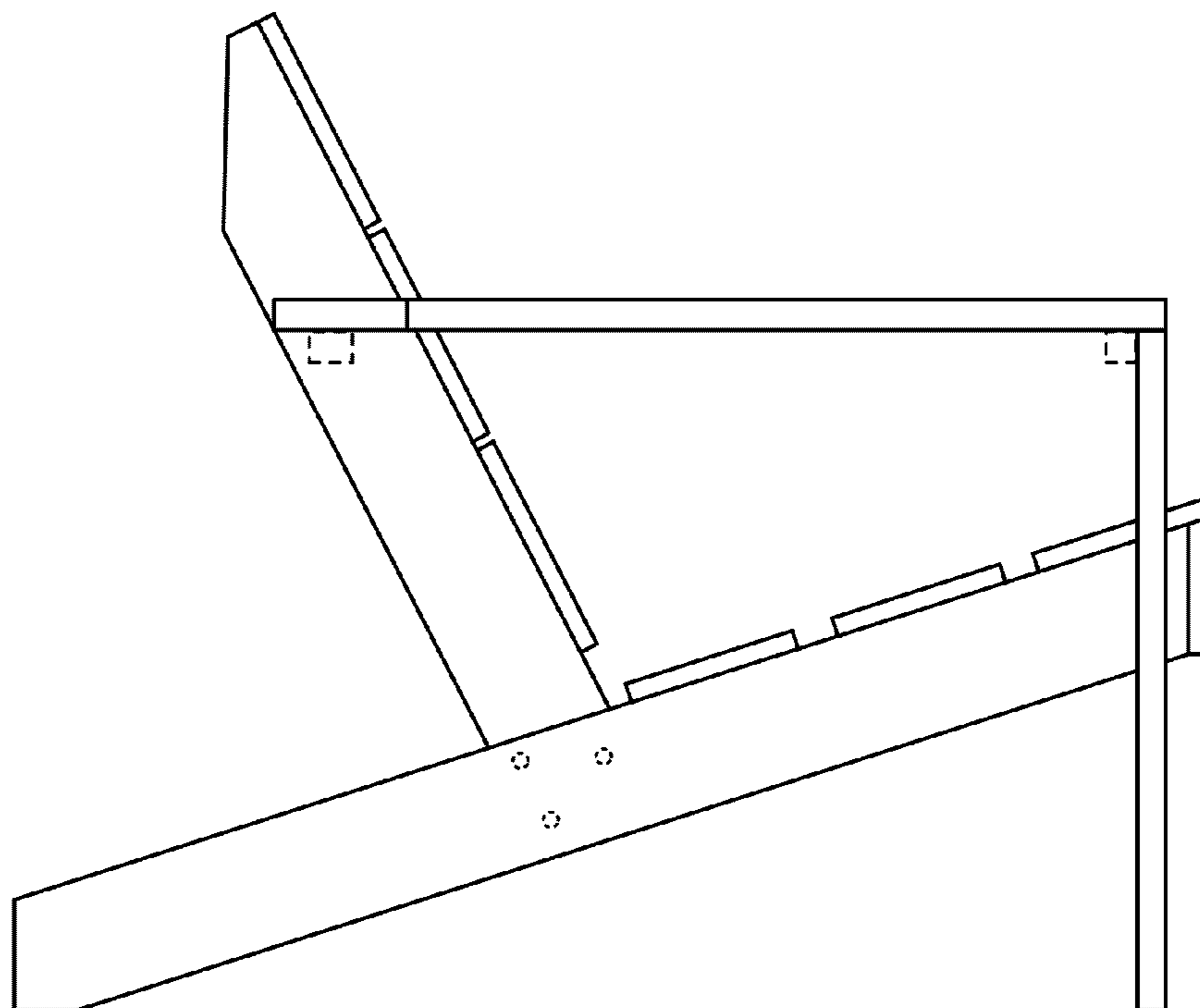


Fig. 5

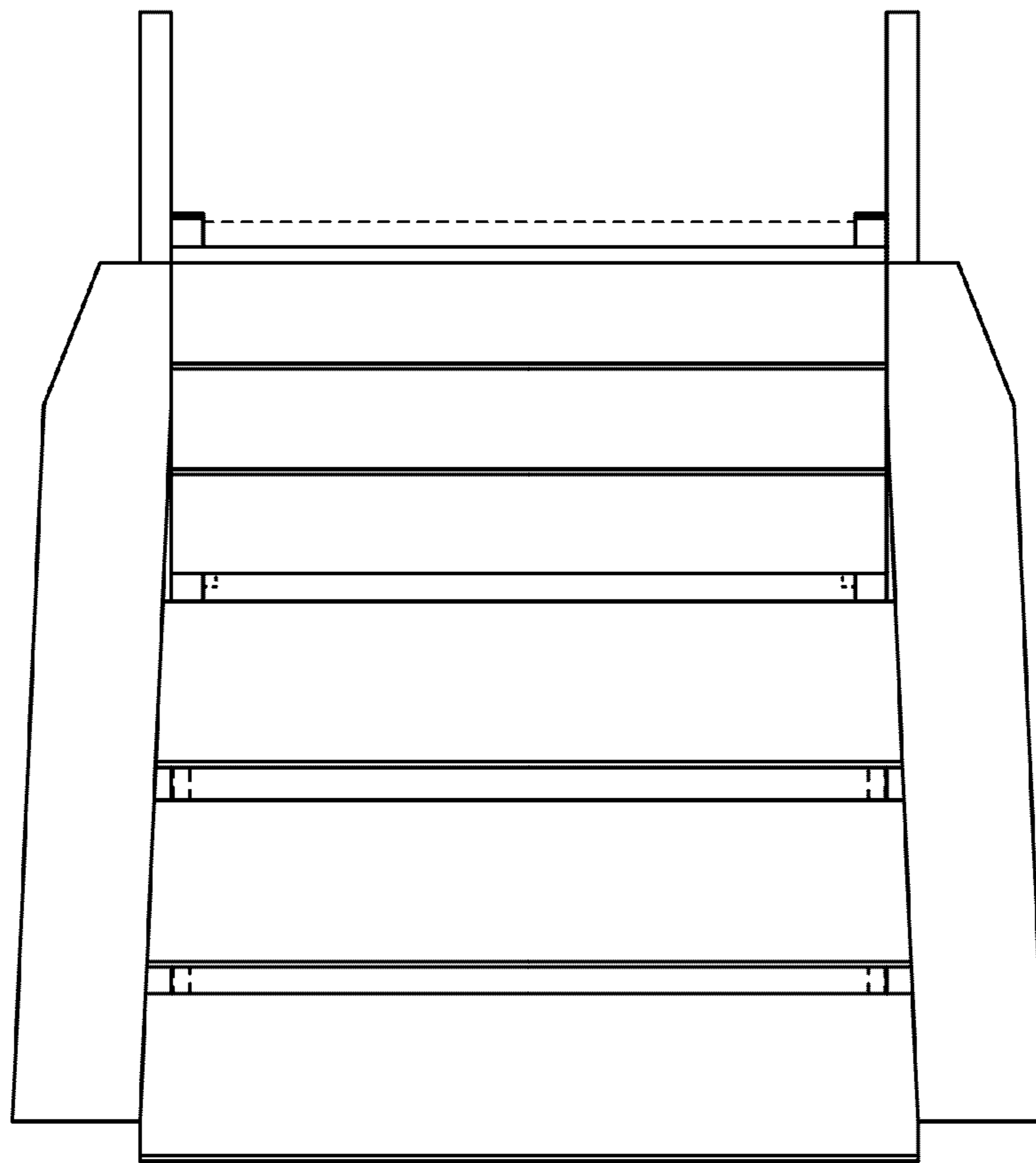


Fig. 6

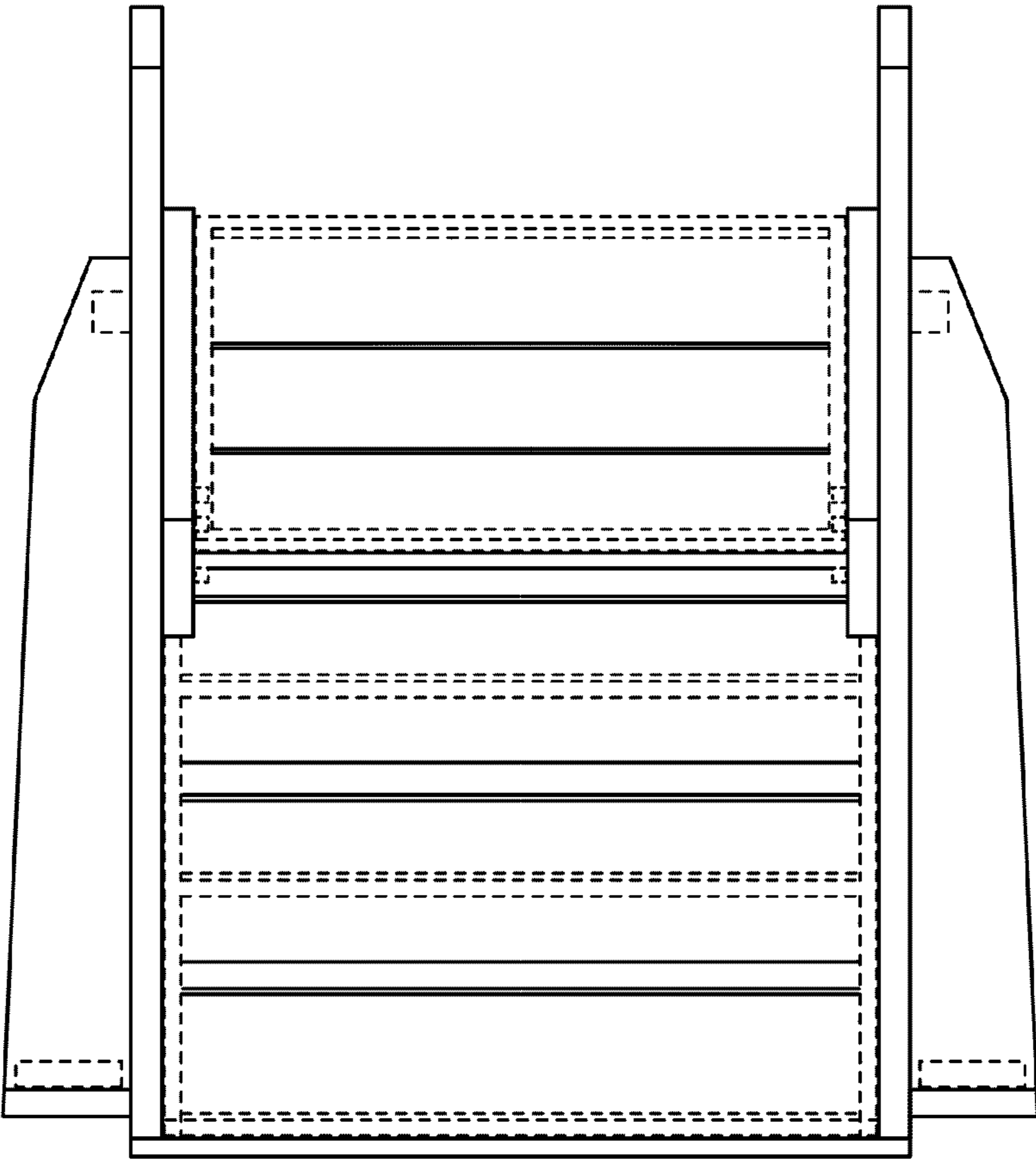


Fig. 7