



US00D713160S

(12) **United States Design Patent**  
**Roberts et al.**

(10) **Patent No.:** **US D713,160 S**

(45) **Date of Patent:** **\*\* Sep. 16, 2014**

(54) **AIRCRAFT SUITE**

(75) Inventors: **Tracey-Anne Roberts**, Newport (GB);  
**David Andrew Drury**, Cardiff (GB)

(73) Assignee: **Contour Aerospace Limited**, Surrey  
(GB)

(\*\*) Term: **14 Years**

(21) Appl. No.: **29/425,937**

(22) Filed: **Jun. 28, 2012**

(30) **Foreign Application Priority Data**

Feb. 14, 2012 (EP) ..... 001991795

(51) **LOC (10) Cl.** ..... **06-01**

(52) **U.S. Cl.**  
USPC ..... **D6/356**

(58) **Field of Classification Search**  
USPC ..... D6/334–336, 356–357, 360–361,  
D6/367–368, 381, 643, 716, 716.1–716.5;  
D12/195, 345; 244/118.5–118.6, 122 R,  
244/141; 297/118, 163, 173, 188.08,  
297/232–233, 244–245, 248, 342, 354.1,  
297/354.11, 361.1

See application file for complete search history.

(56) **References Cited**

**U.S. PATENT DOCUMENTS**

D304,529 S \* 11/1989 Hontz ..... D6/421  
D421,593 S \* 3/2000 Papaioannou et al. .... D12/345  
D421,948 S \* 3/2000 Dryburgh et al. .... D12/195  
D439,063 S \* 3/2001 Round et al. .... D6/356  
D439,425 S \* 3/2001 Park et al. .... D6/356  
6,209,956 B1 \* 4/2001 Dryburgh et al. .... 297/245  
D443,990 S \* 6/2001 Beroth ..... D6/356  
D510,816 S \* 10/2005 Lee ..... D6/356  
D558,993 S \* 1/2008 Saint-Jalmes et al. .... D6/357  
D591,520 S \* 5/2009 Orson et al. .... D6/356

D598,666 S \* 8/2009 Cloet et al. .... D6/356  
D611,260 S \* 3/2010 Plant ..... D6/356  
D623,577 S \* 9/2010 Orson et al. .... D12/345  
D623,578 S \* 9/2010 Orson et al. .... D12/345  
D628,138 S \* 11/2010 Collins et al. .... D12/345  
8,177,165 B2 \* 5/2012 Bettell ..... 244/118.6  
D661,116 S \* 6/2012 Darbyshire ..... D6/356  
D686,423 S \* 7/2013 Salzberger et al. .... D6/356  
D695,033 S \* 12/2013 Salzberger et al. .... D6/356  
D696,034 S \* 12/2013 Ersan et al. .... D6/356  
D696,524 S \* 12/2013 Ersan et al. .... D6/356  
D702,623 S \* 4/2014 Salzberger et al. .... D12/345  
2010/0163674 A1 \* 7/2010 Bock ..... 244/118.6  
2011/0253838 A1 \* 10/2011 Bettell ..... 244/118.6  
2012/0292957 A1 \* 11/2012 Vergnaud et al. .... 297/188.08  
2013/0043345 A1 \* 2/2013 Ferry et al. .... 244/118.6

**OTHER PUBLICATIONS**

Author Unknown, "Air China Selects Contour's First-Class Suite"  
retrieved from Internet <http://www.aircraftinteriorsinternational.com/news.php?NewsID=32138> on Dec. 30, 2012, 2 pages dated Aug. 2011.

\* cited by examiner

*Primary Examiner* — Ricky Pham  
(74) *Attorney, Agent, or Firm* — Lathrop & Gage LLP

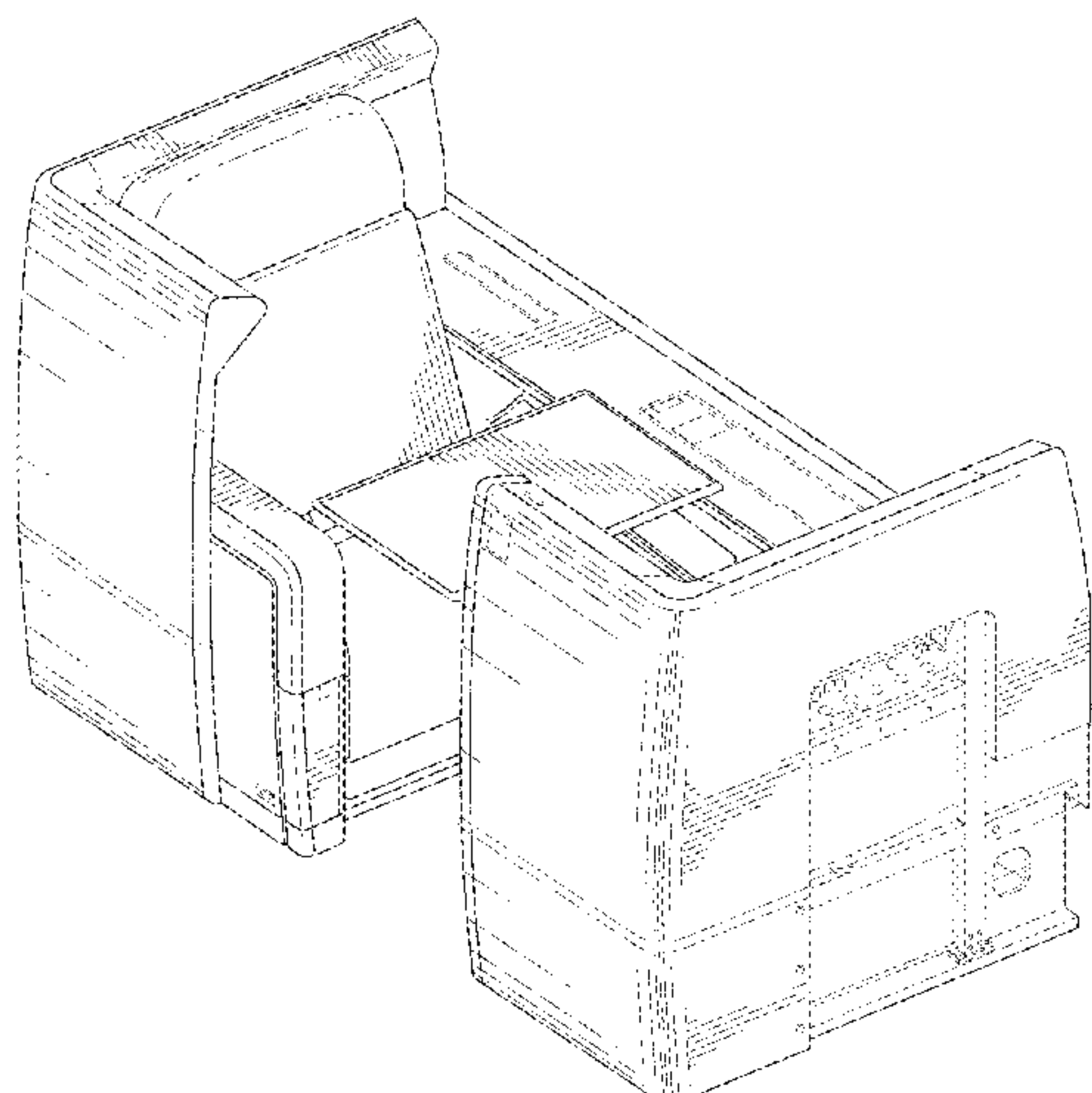
(57) **CLAIM**

The ornamental design for an aircraft suite, as shown and described.

**DESCRIPTION**

FIG. 1 is a right perspective view of the aircraft suite, with a tray feature thereof in a first position;  
FIG. 2 is a left perspective view of the aircraft suite with the tray feature in the first position;  
FIG. 3 is a plan view of the aircraft suite with the tray feature in a second position;  
FIG. 4 is a right side elevation of the aircraft suite;  
FIG. 5 is a front end elevation of the aircraft suite; and,  
FIG. 6 is a rear end elevation of the aircraft suite.  
In FIGS. 1 through 6, broken lines indicate environmental structure that forms no part of the claimed design.

**1 Claim, 5 Drawing Sheets**



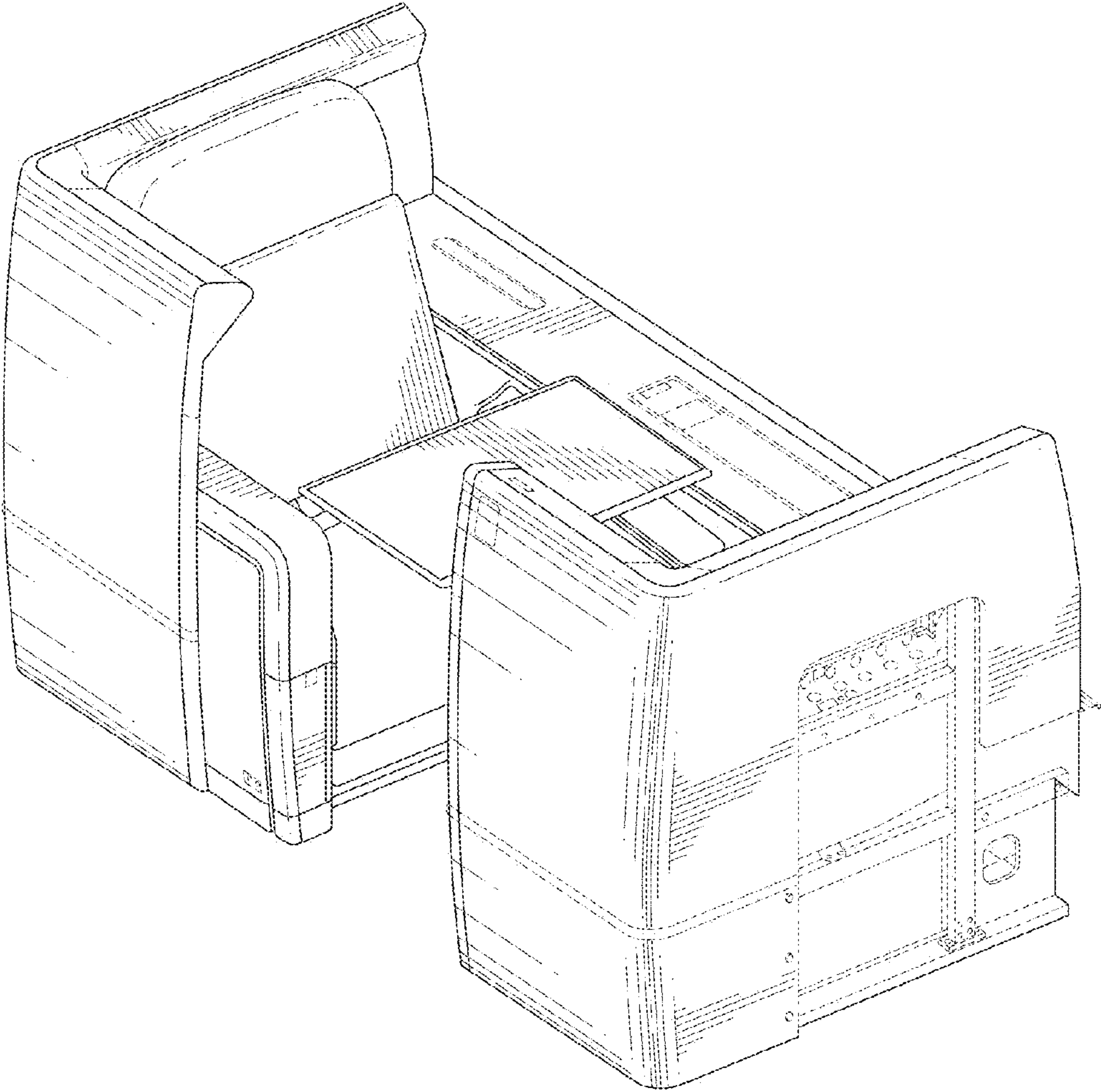


FIG. 1

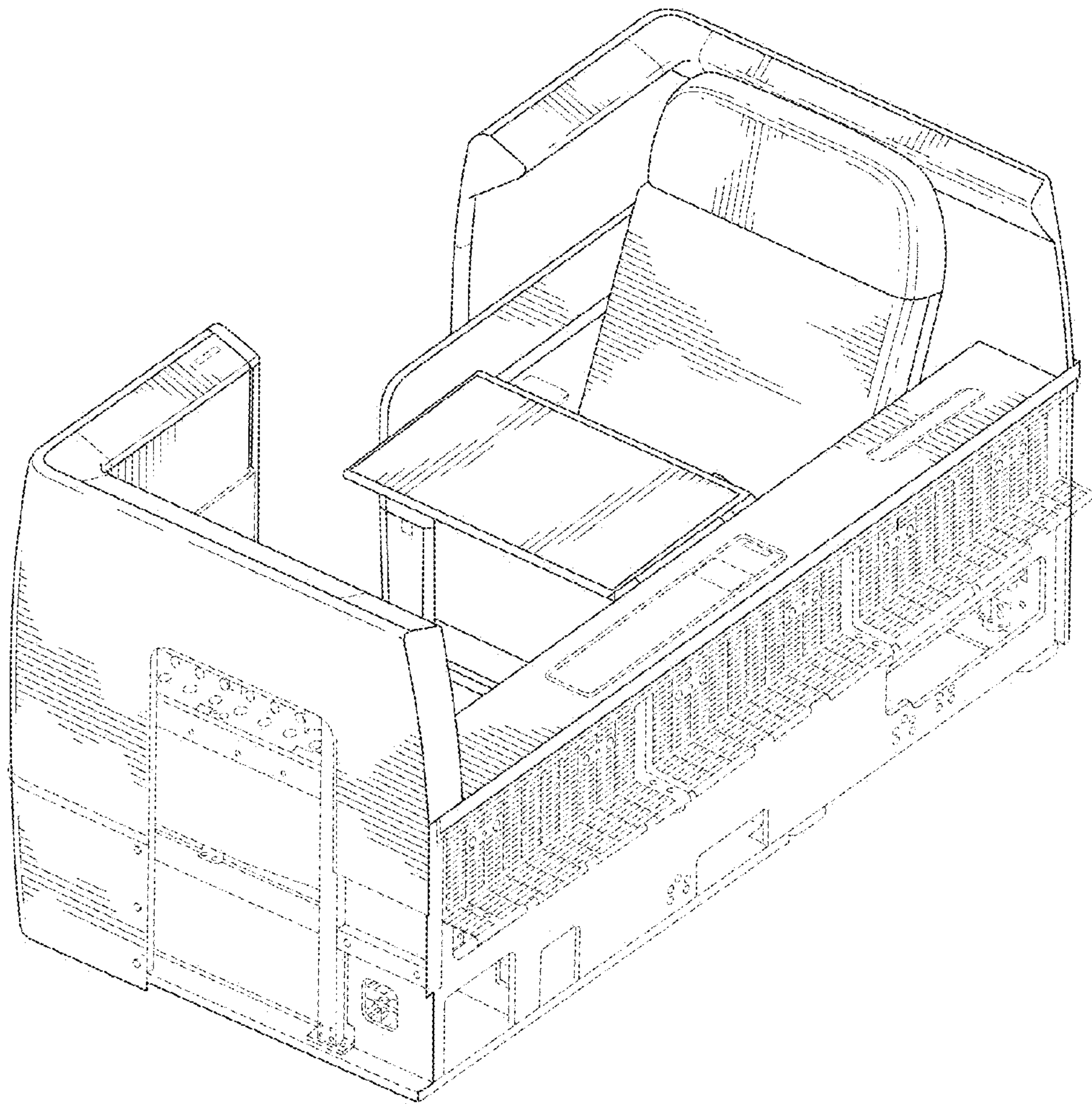


FIG.2



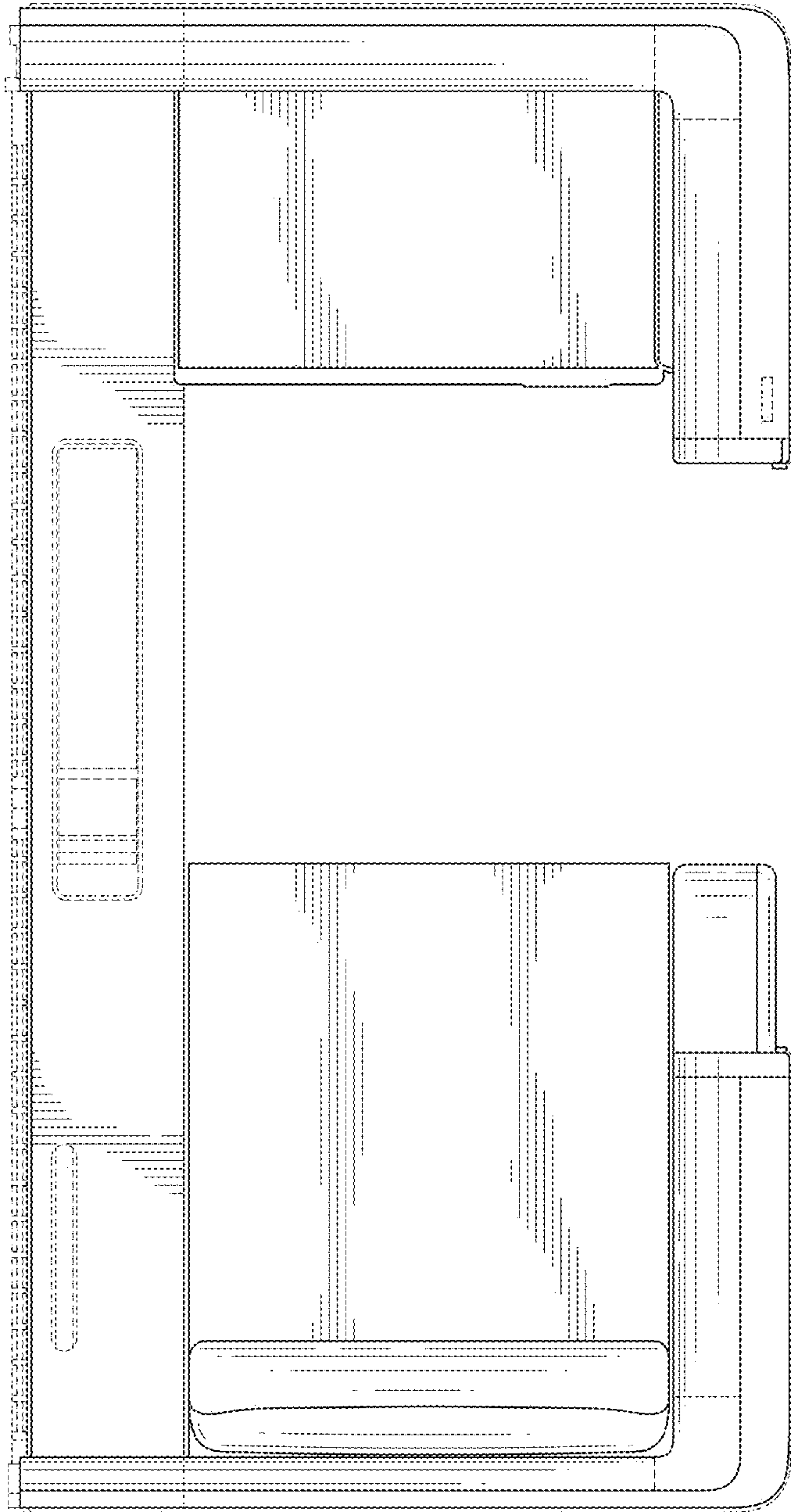


FIG. 3

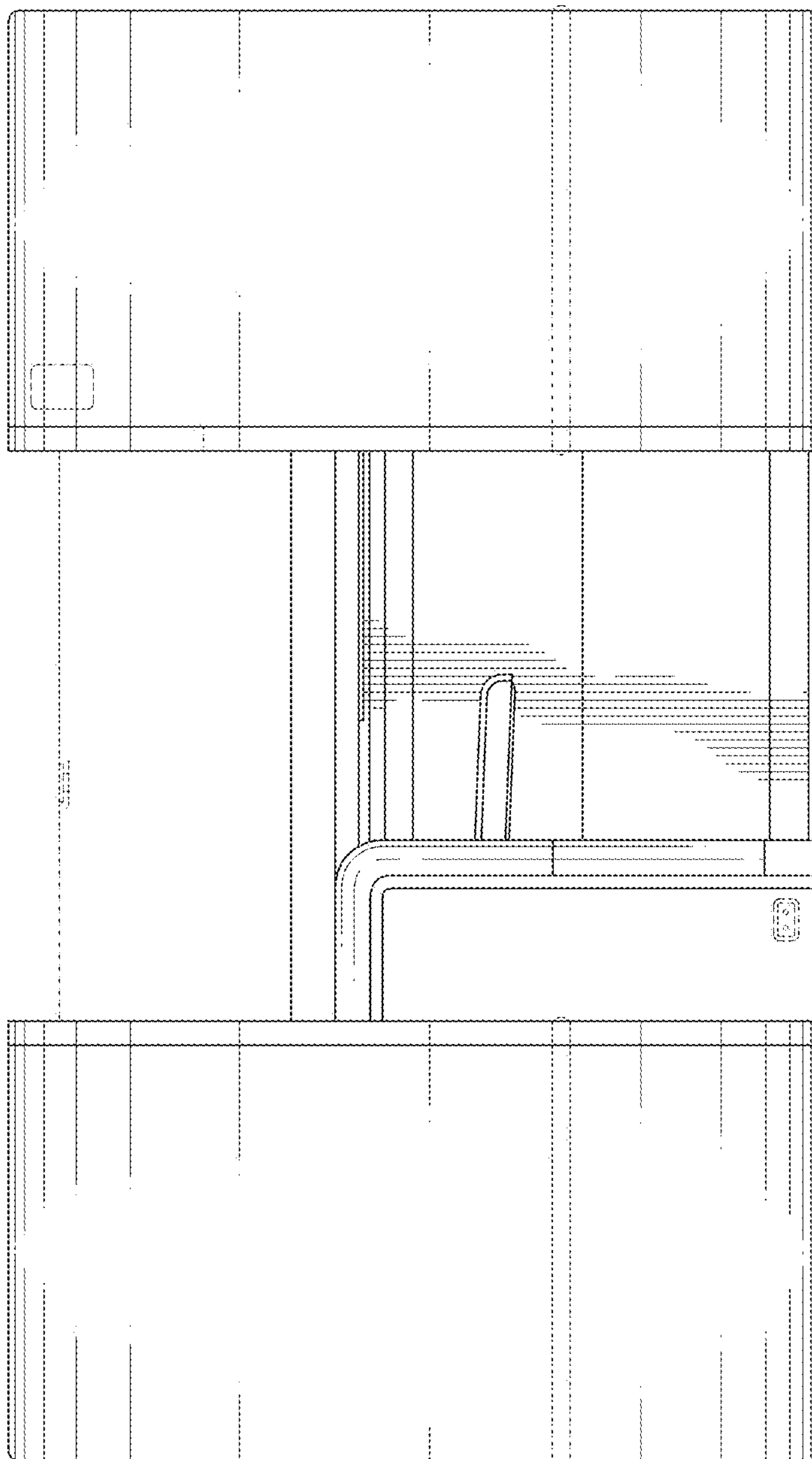


FIG. 4

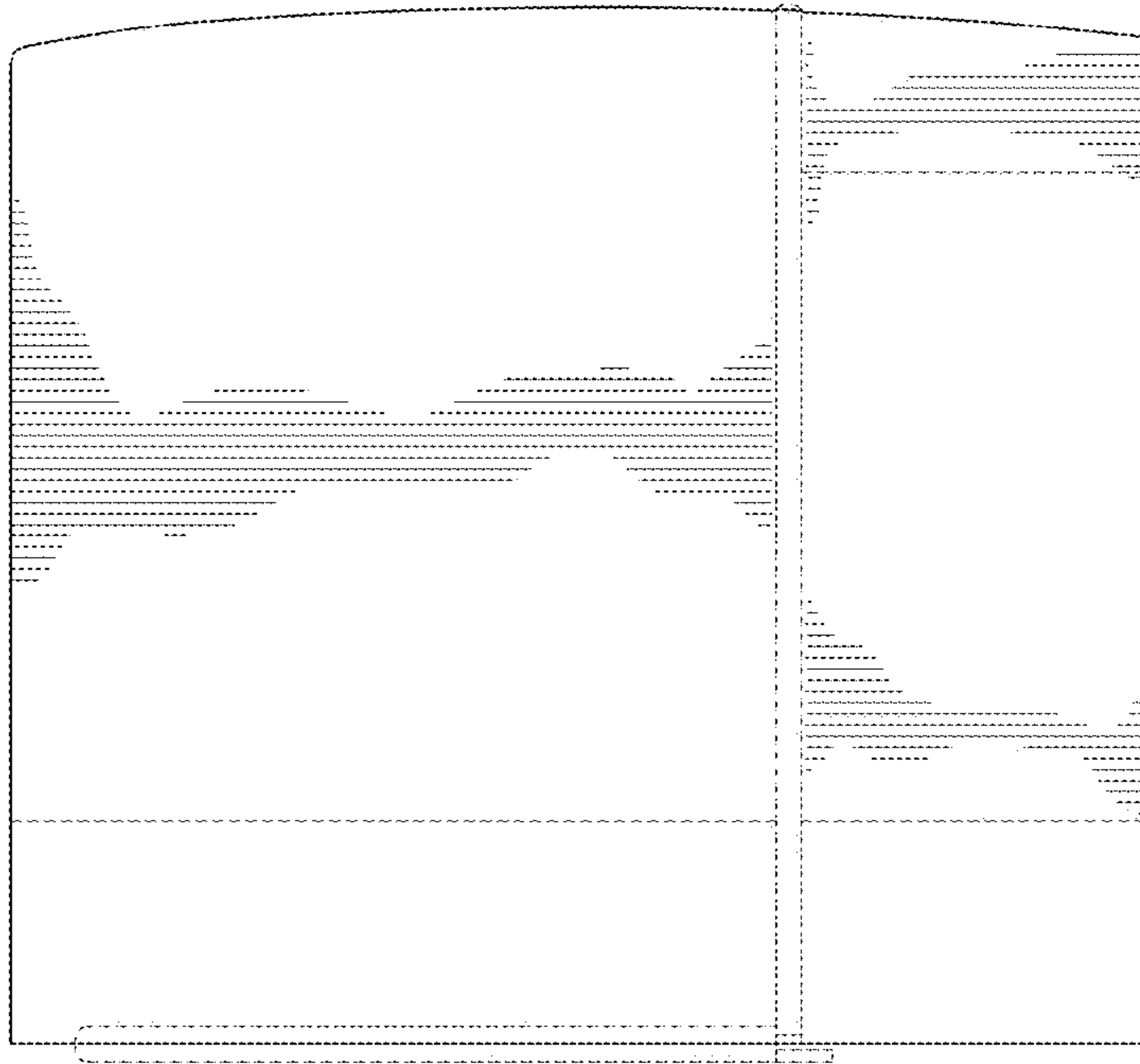


FIG. 6

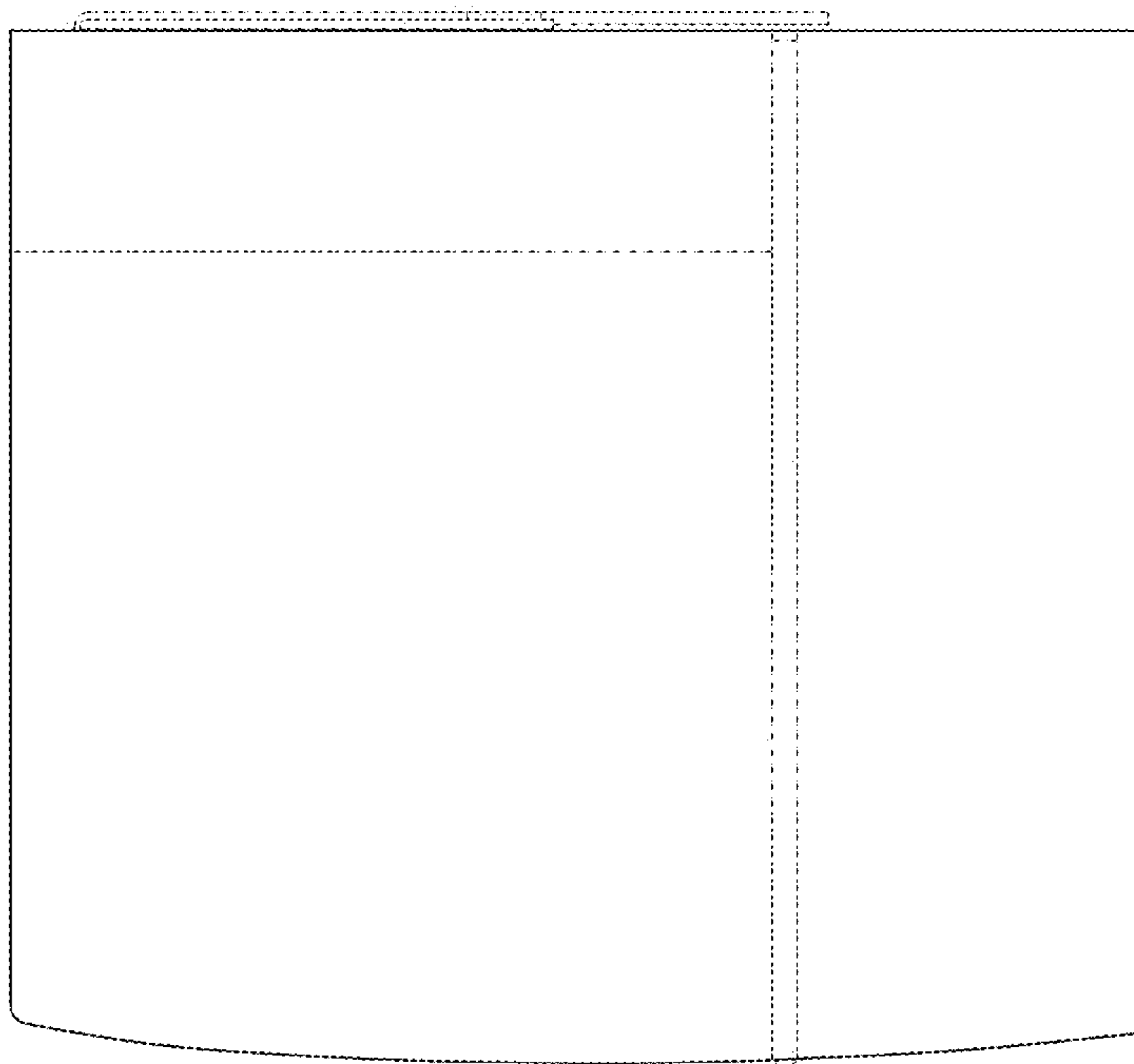


FIG. 5