



US00D713159S

(12) **United States Design Patent**  
**Yu**

(10) **Patent No.:** **US D713,159 S**  
(45) **Date of Patent:** **\*\* Sep. 16, 2014**

(54) **SADDLE**

(56) **References Cited**

(71) Applicant: **Velo Enterprise Co., Ltd.**, Taichung (TW)

U.S. PATENT DOCUMENTS

(72) Inventor: **Tsai-Yun Yu**, Taichung (TW)

5,190,345	A *	3/1993	Lin	297/188.12
5,352,016	A *	10/1994	Hobson	297/201
5,714,108	A *	2/1998	Girardi et al.	264/331.17
5,911,474	A *	6/1999	Lee	297/201
6,007,148	A *	12/1999	Yu	297/195.1
6,575,529	B1 *	6/2003	Yu	297/201
7,506,925	B2 *	3/2009	Rutherford	297/195.1
7,625,041	B2 *	12/2009	Bigolin	297/195.1
7,669,924	B2 *	3/2010	Yu	297/214
7,712,827	B2 *	5/2010	Yu	297/195.1
D661,828	S *	6/2012	Yu	D26/28
2006/0006706	A1 *	1/2006	Yu	297/199
2008/0246245	A1 *	10/2008	Hung	280/220
2009/0108644	A1 *	4/2009	Yu	297/214

(73) Assignee: **Velo Enterprises Co., Ltd.**, Taichung (TW)

(\*\*) Term: **14 Years**

\* cited by examiner

(21) Appl. No.: **29/462,395**

(22) Filed: **Aug. 2, 2013**

*Primary Examiner* — Eric Goodman

(30) **Foreign Application Priority Data**

*Assistant Examiner* — Jennifer Watkins

Mar. 15, 2013 (TW) ..... 102301917

(74) *Attorney, Agent, or Firm* — Browdy and Neimark, PLLC

(51) **LOC (10) Cl.** ..... **12-11**

(57) **CLAIM**

(52) **U.S. Cl.**

The ornamental design for a saddle, as shown and described.

USPC ..... **D6/354**

**DESCRIPTION**

(58) **Field of Classification Search**

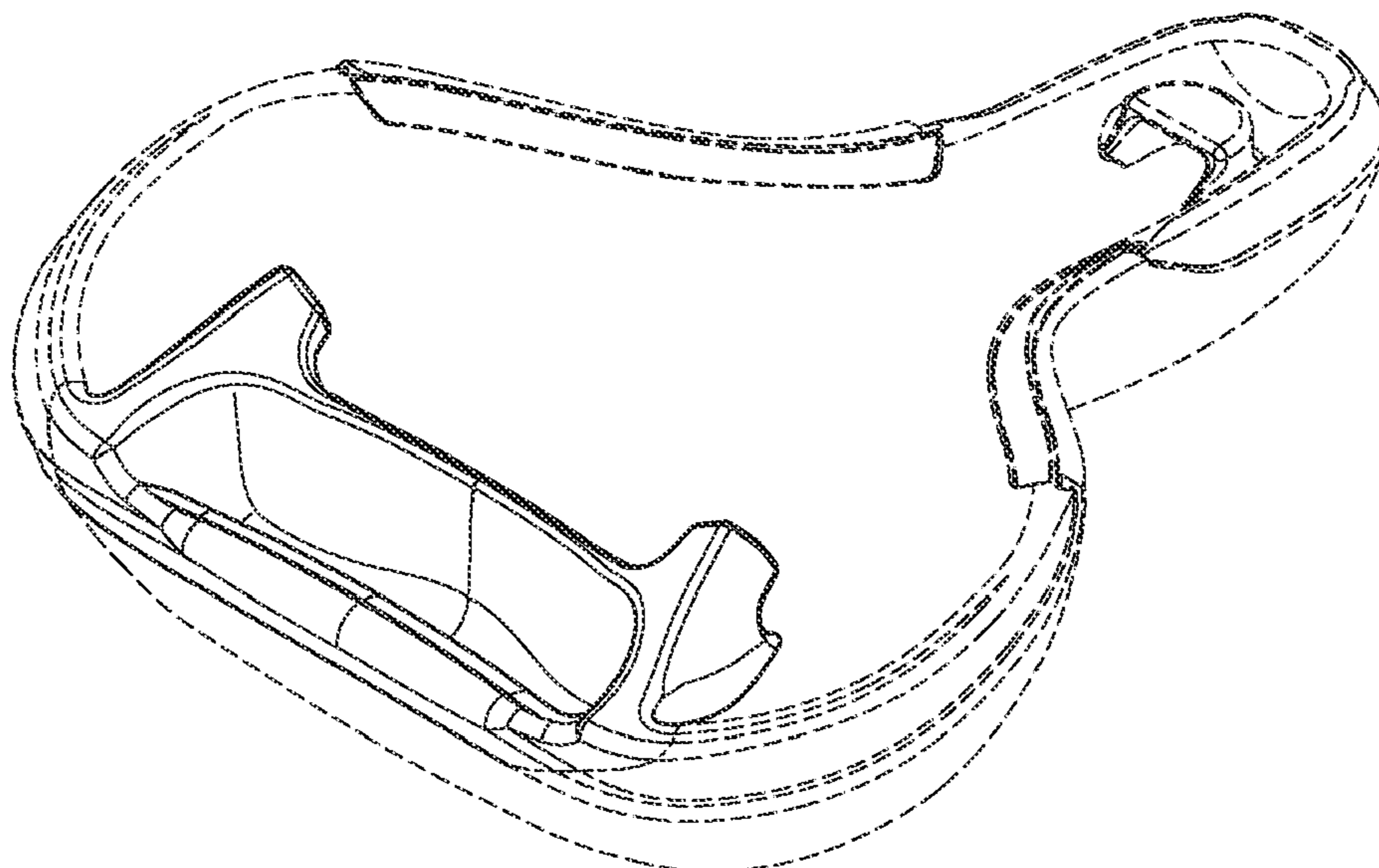
CPC ..... B62J 1/08; B62J 1/005; B62J 1/00; B62J 1/02; B62K 19/36

FIG. 1 shows a perspective view of the present design.  
FIG. 2 shows a front view of the present design.  
FIG. 3 shows a rear view of the present design.  
FIG. 4 shows a right view of the present design.  
FIG. 5 shows a top view of the present design; and,  
FIG. 6 is a cross-sectional view taken along line 6-6 of FIG. 2.  
The broken lines showing of structural feature is indeed for the purpose of illustrating non-claimed subject matter and forms no part of the claimed design.

USPC ..... D6/354, 340; D12/111, 112; 297/195.1, 297/196-215.16, 452.1, 452.11-452.19, 297/452.21, 452.4, 452.55-452.59, 297/452.63-452.65; 267/132; 296/65.13, 296/68.1

See application file for complete search history.

**1 Claim, 6 Drawing Sheets**



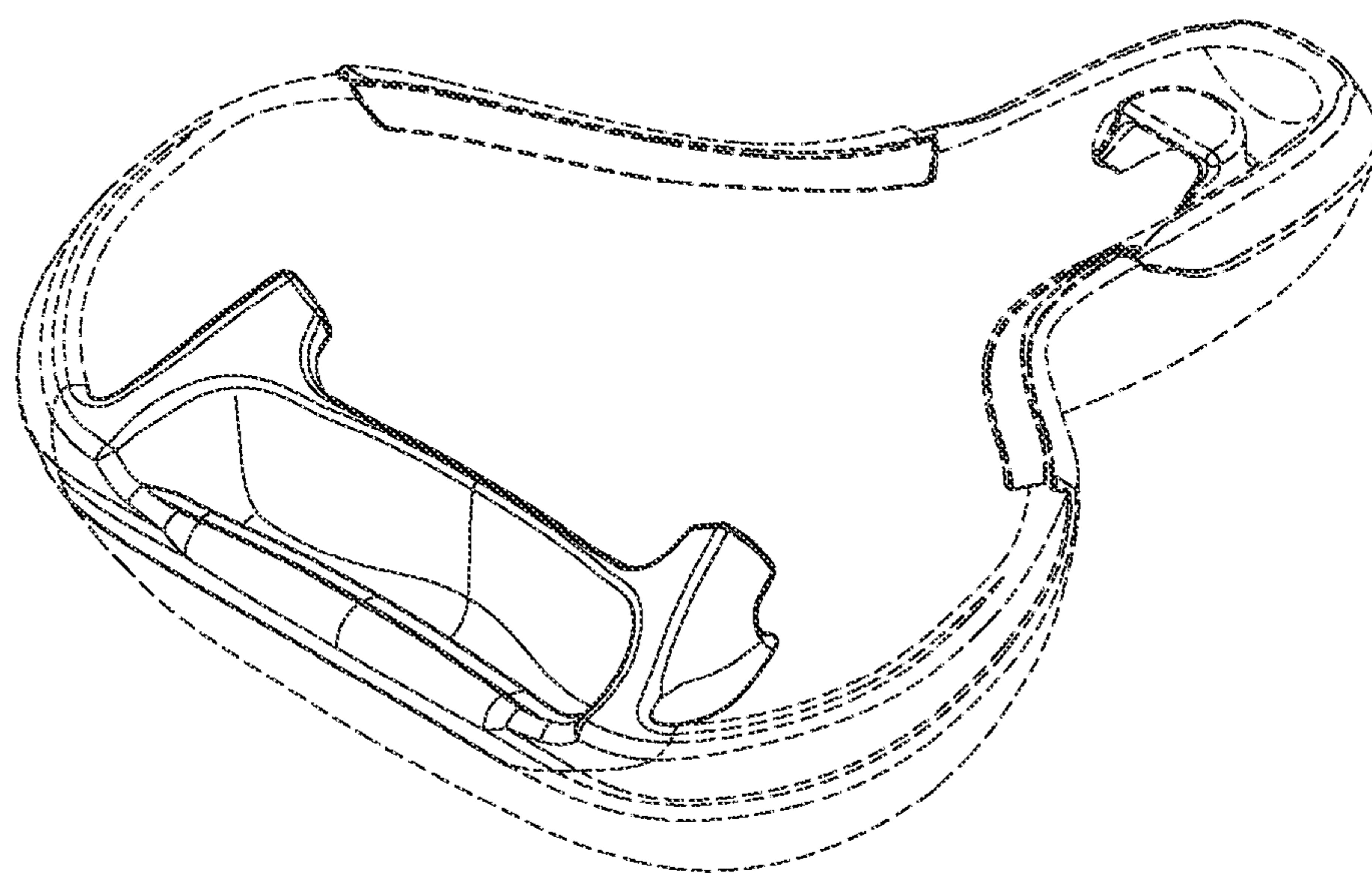


FIG. 1

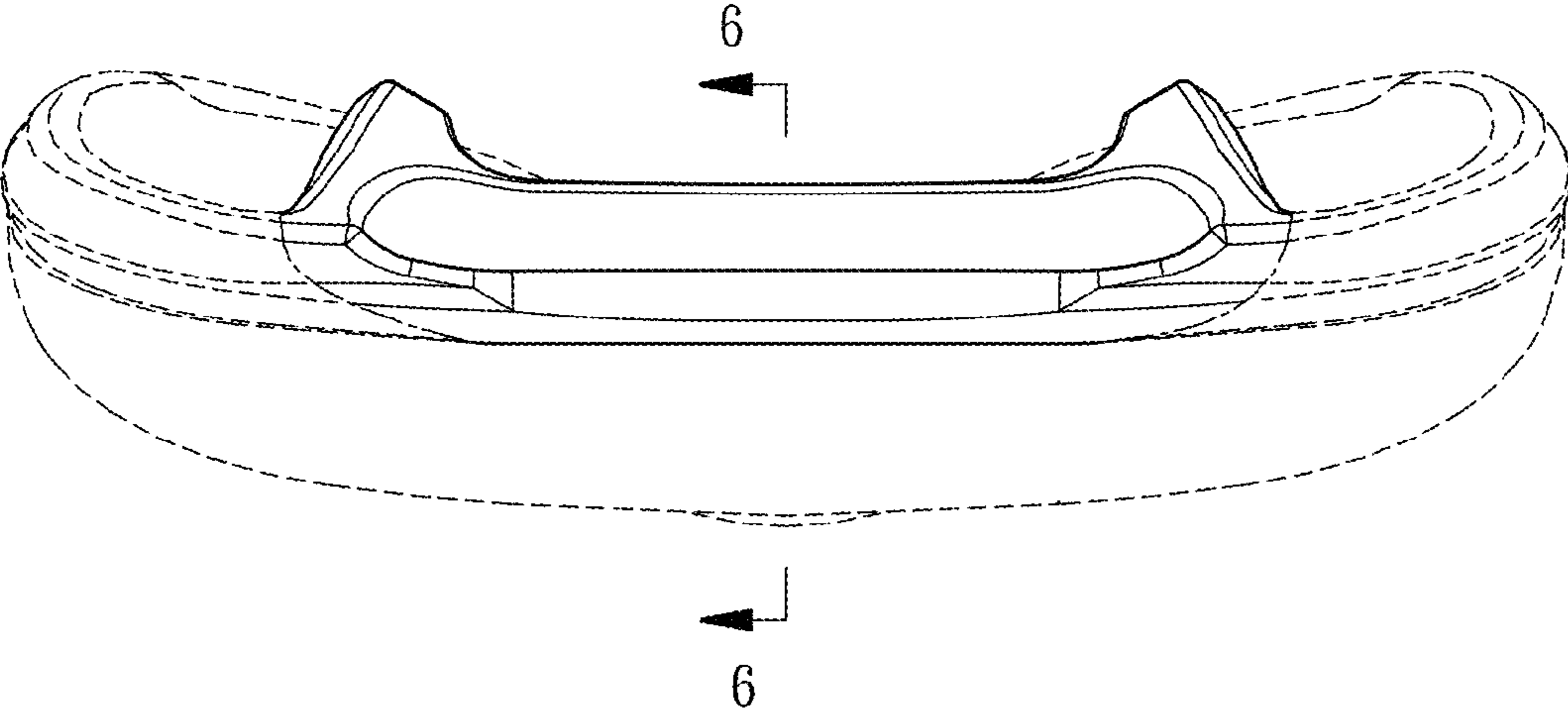


FIG. 2

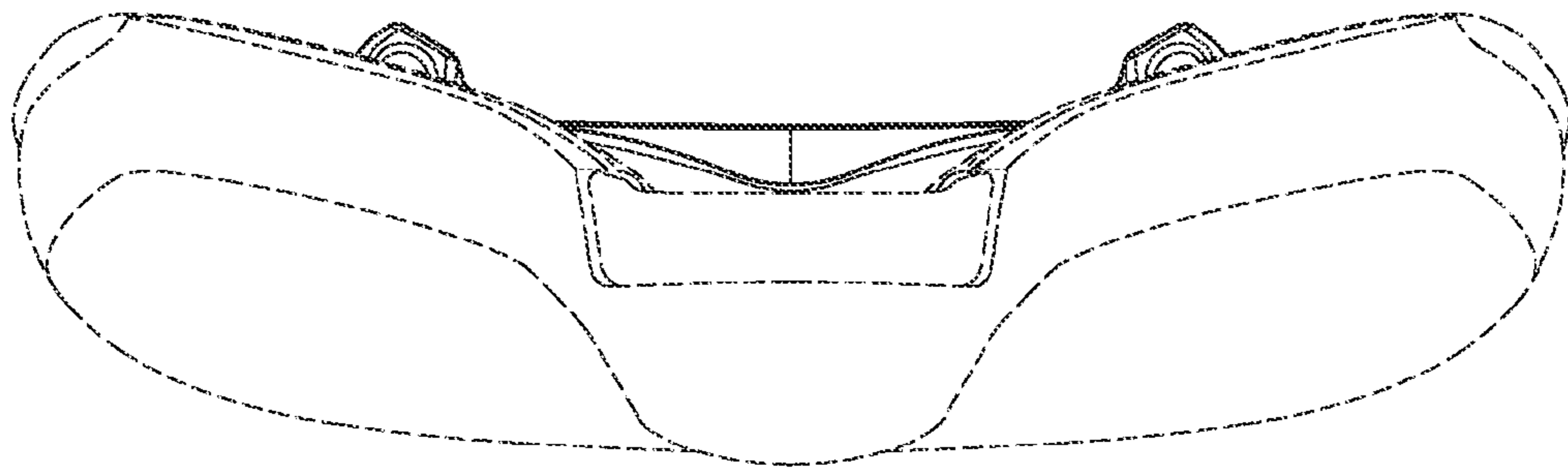


FIG. 3

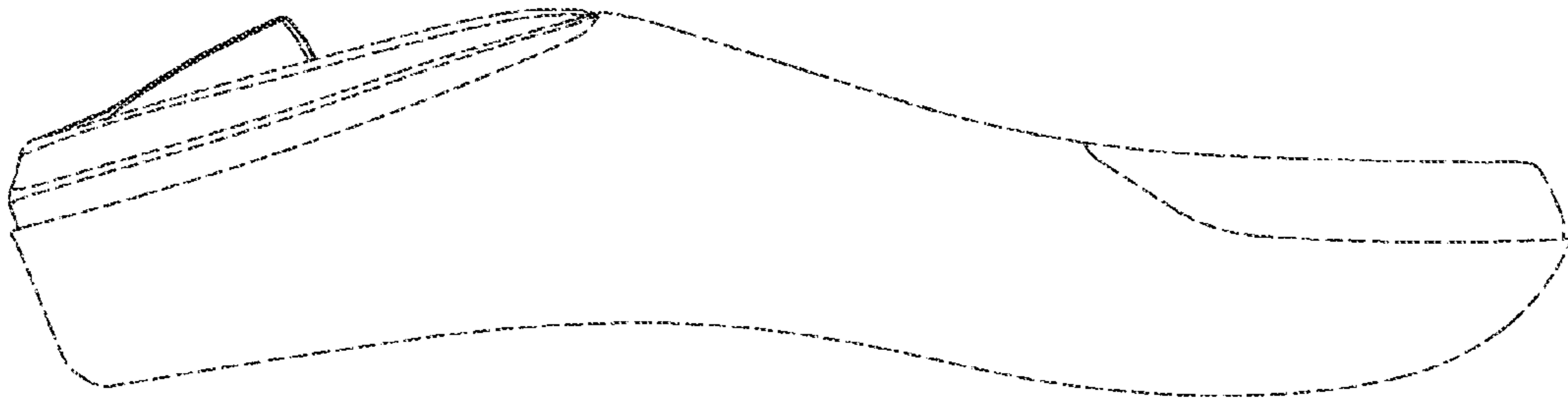


FIG. 4

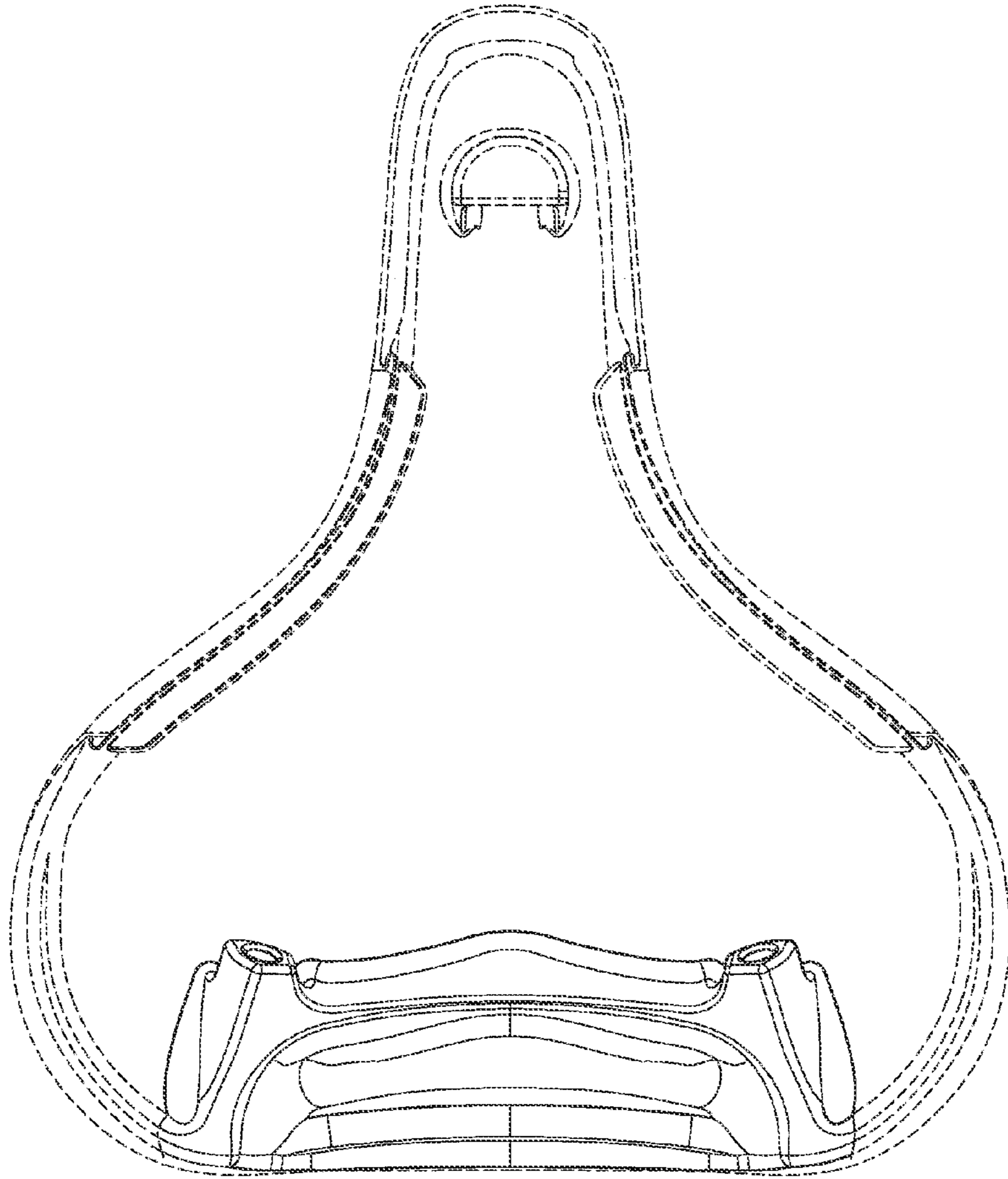


FIG. 5



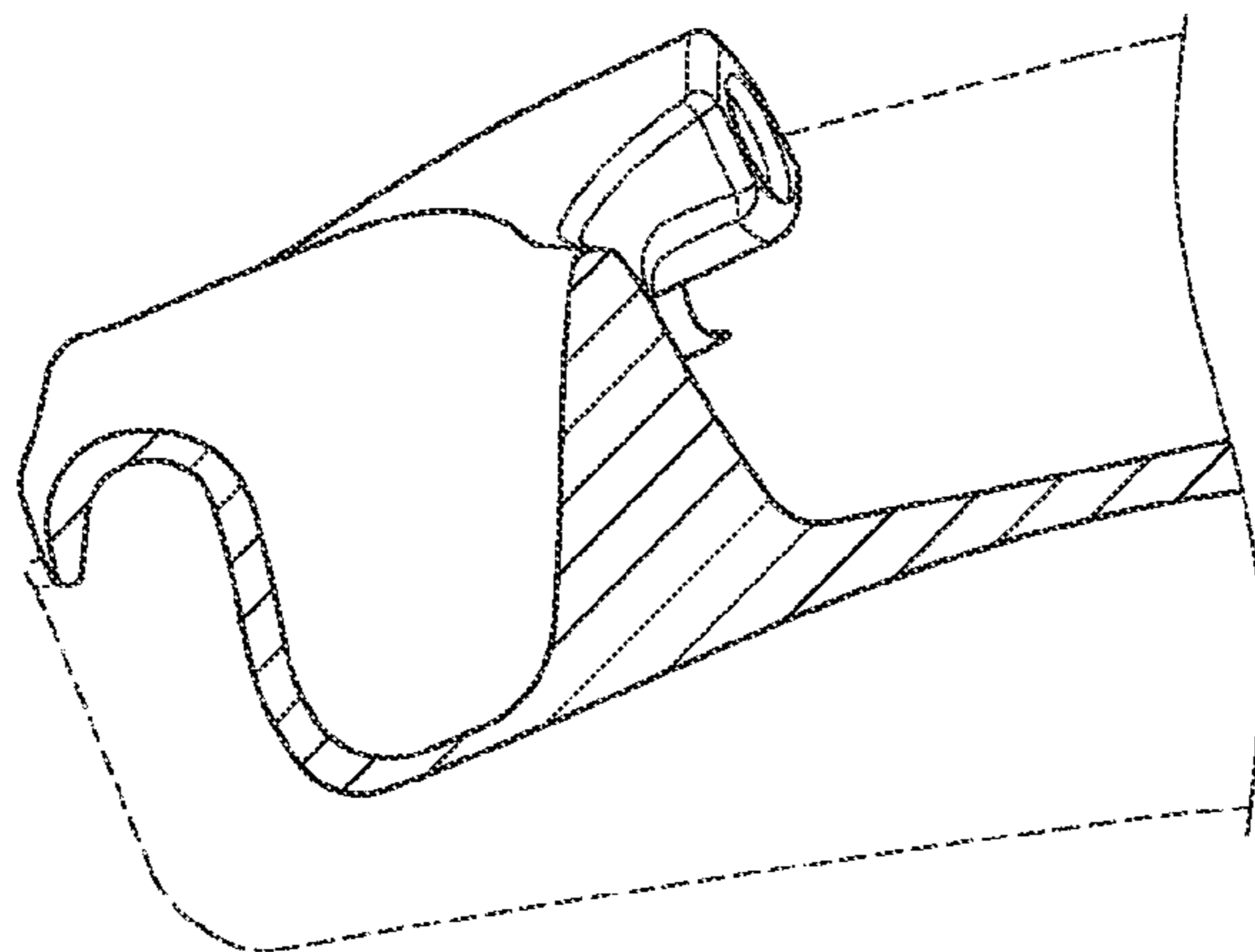


FIG. 6