



US00D713156S

(12) **United States Design Patent**  
**Cohen**

(10) **Patent No.:** **US D713,156 S**

(45) **Date of Patent:** **\*\* Sep. 16, 2014**

(54) **DECORATIVE BENCH**

(71) Applicant: **Howard Cohen**, Indialantic, FL (US)

(72) Inventor: **Howard Cohen**, Indialantic, FL (US)

(\*\*) Term: **14 Years**

(21) Appl. No.: **29/460,005**

(22) Filed: **Jul. 6, 2013**

(51) **LOC (10) Cl.** ..... **06-01**

(52) **U.S. Cl.**  
USPC ..... **D6/349**

(58) **Field of Classification Search**  
CPC ..... A47C 3/18–3/20; A47C 5/02; A47C 9/00;  
A47C 11/00; A47C 13/00; A47C 9/06;  
A47C 7/16  
USPC ..... D6/330, 337, 341, 346, 349–355, 357,  
D6/362, 364–373, 376, 377, 381, 645, 656,  
D6/658, 665, 674, 675.5, 676, 682.4,  
D6/685–692, 694, 694.2, 704, 705, 707,  
D6/707.8, 707.19, 708, 716.1–716.6, 717,  
D6/717.2; 297/423.12, 423.13, 423.37,  
297/461, 462, 115, 116, 135, 160–162  
See application file for complete search history.

(56) **References Cited**

**U.S. PATENT DOCUMENTS**

D244,819 S *	6/1977	Christen, Jr.	.....	D6/469
D362,138 S *	9/1995	Sagol	.....	D6/479
D385,132 S *	10/1997	Sagol	.....	D6/479
D393,381 S *	4/1998	Santoro	.....	D6/465
D423,826 S *	5/2000	Ho	.....	D6/479
D436,467 S *	1/2001	McGee	.....	D6/480
D439,443 S *	3/2001	Nadon	.....	D6/465

D440,059 S *	4/2001	Jeup	.....	D6/349
D446,376 S *	8/2001	Vanderbyl	.....	D34/24
D554,323 S *	10/2007	Roth	.....	D34/12

**OTHER PUBLICATIONS**

24" Teak & Stainless Shower Bench—From the Grate Collection 391. [online] Retrieved on Mar. 9, 2014 from URL: <<http://www.aquateak.com/bath-and-shower-seating/24-teak-shower-benches/24-teak-stainless-shower-bench-from-the-grate-collection-391/>>.\* AquaTeak, 339 Teak Grate Shower Bench with Shelf 24", Date Downloaded Jun. 24, 2013, www.aquateak.com.

\* cited by examiner

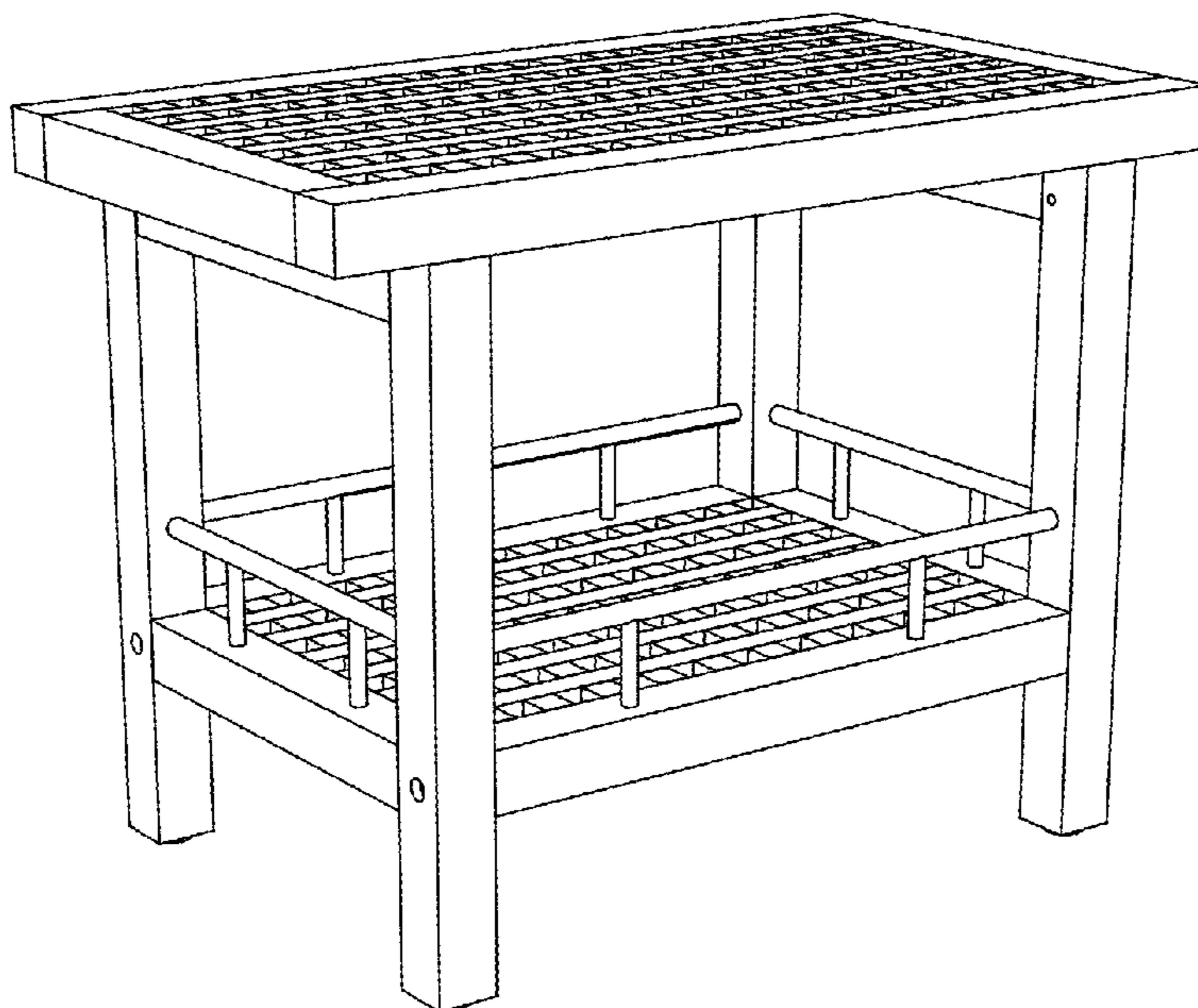
*Primary Examiner* — Susan Bennett Hattan  
*Assistant Examiner* — Vy Koenig  
(74) *Attorney, Agent, or Firm* — Stephen C. Thomas

(57) **CLAIM**  
The ornamental design for a decorative bench, as shown and described.

**DESCRIPTION**

FIG. 1 depicts a perspective view of the decorative bench of the invention.  
FIG. 2 depicts a front view of the decorative bench of the invention.  
FIG. 3 depicts a perspective left side view of the decorative bench of the invention.  
FIG. 4 depicts a perspective right side view of the decorative bench of the invention.  
FIG. 5 depicts a top view of the decorative bench of the invention; and,  
FIG. 6 depicts a bottom view of the decorative bench of the invention.

**1 Claim, 6 Drawing Sheets**



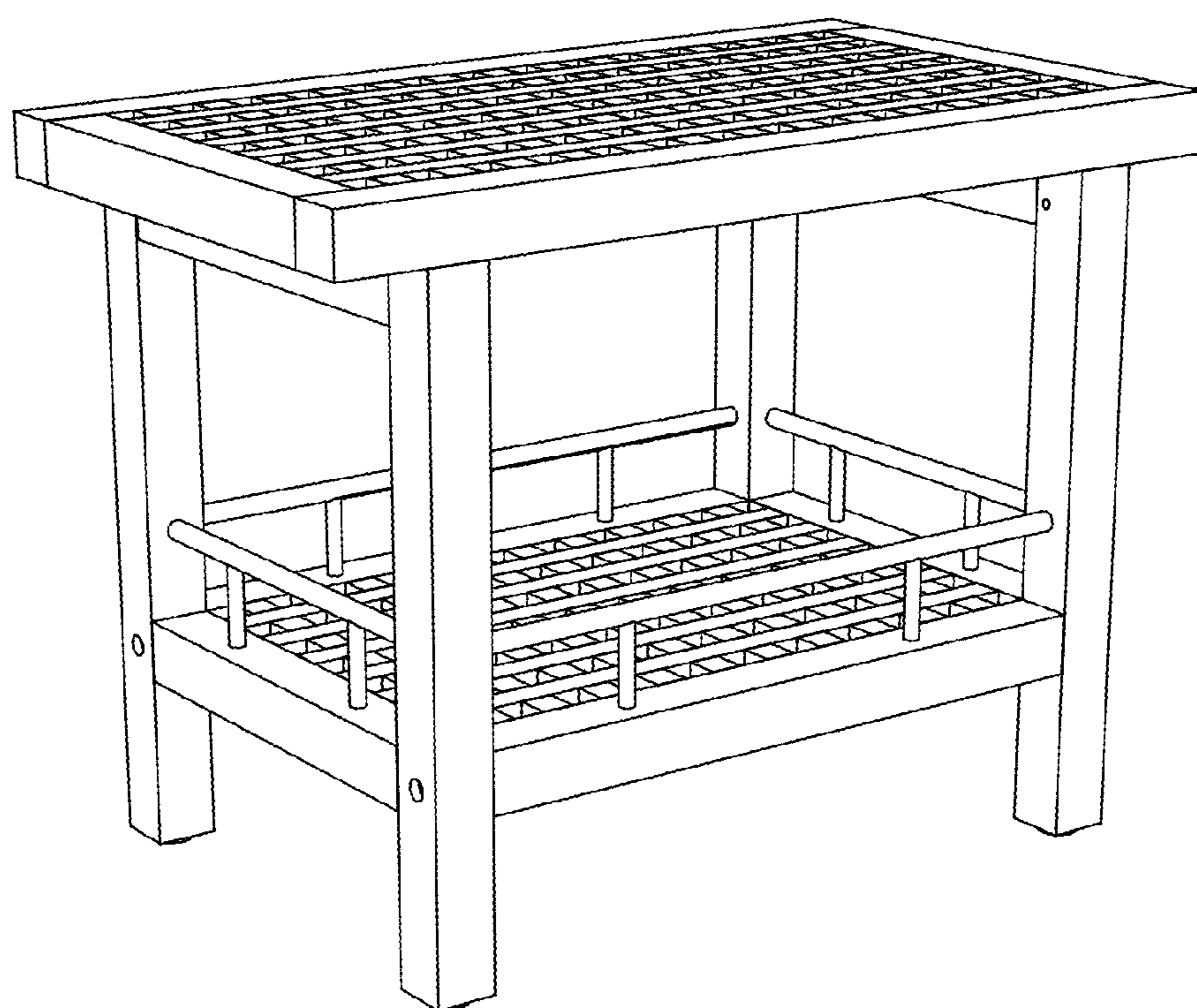


Fig. 1

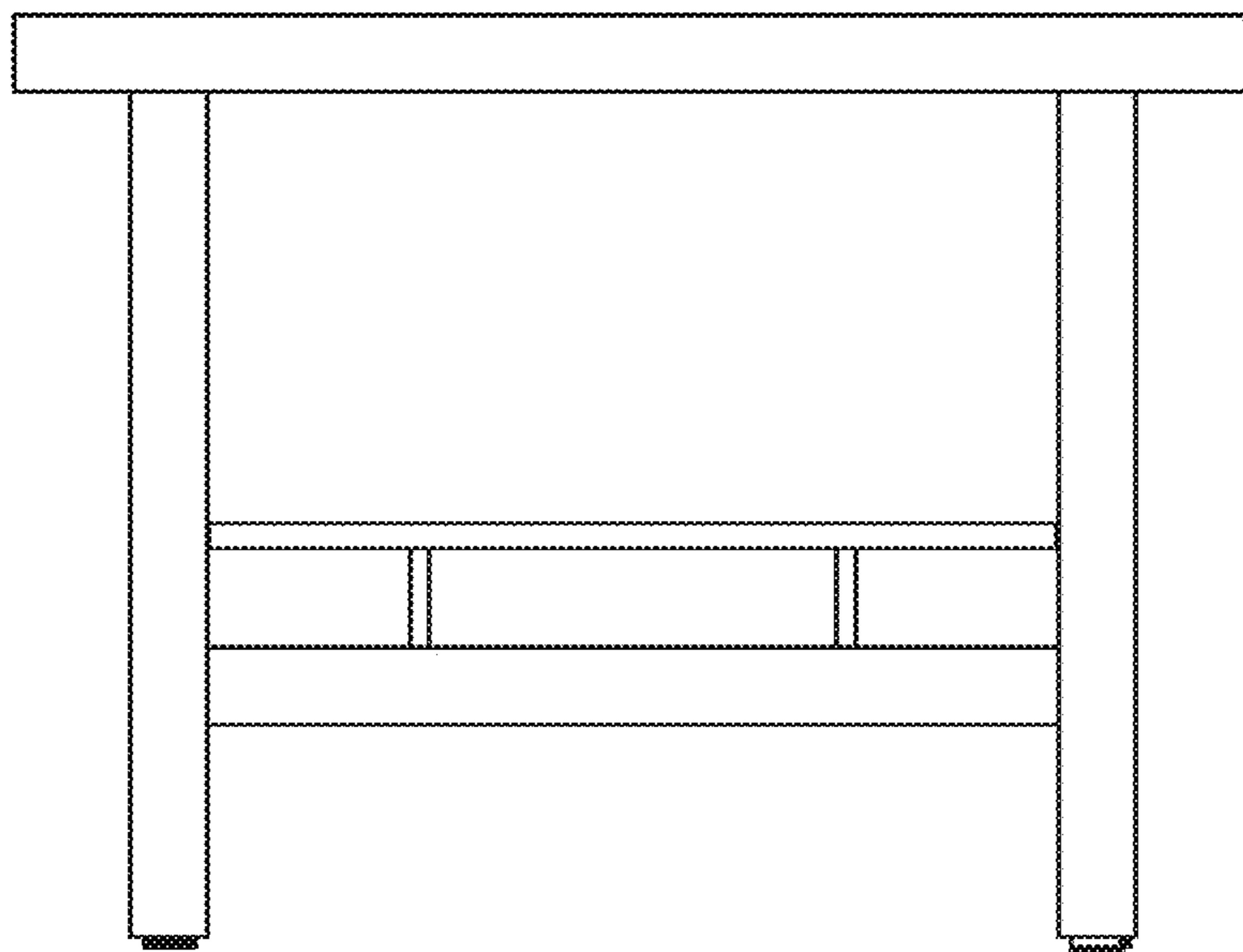


Fig. 2

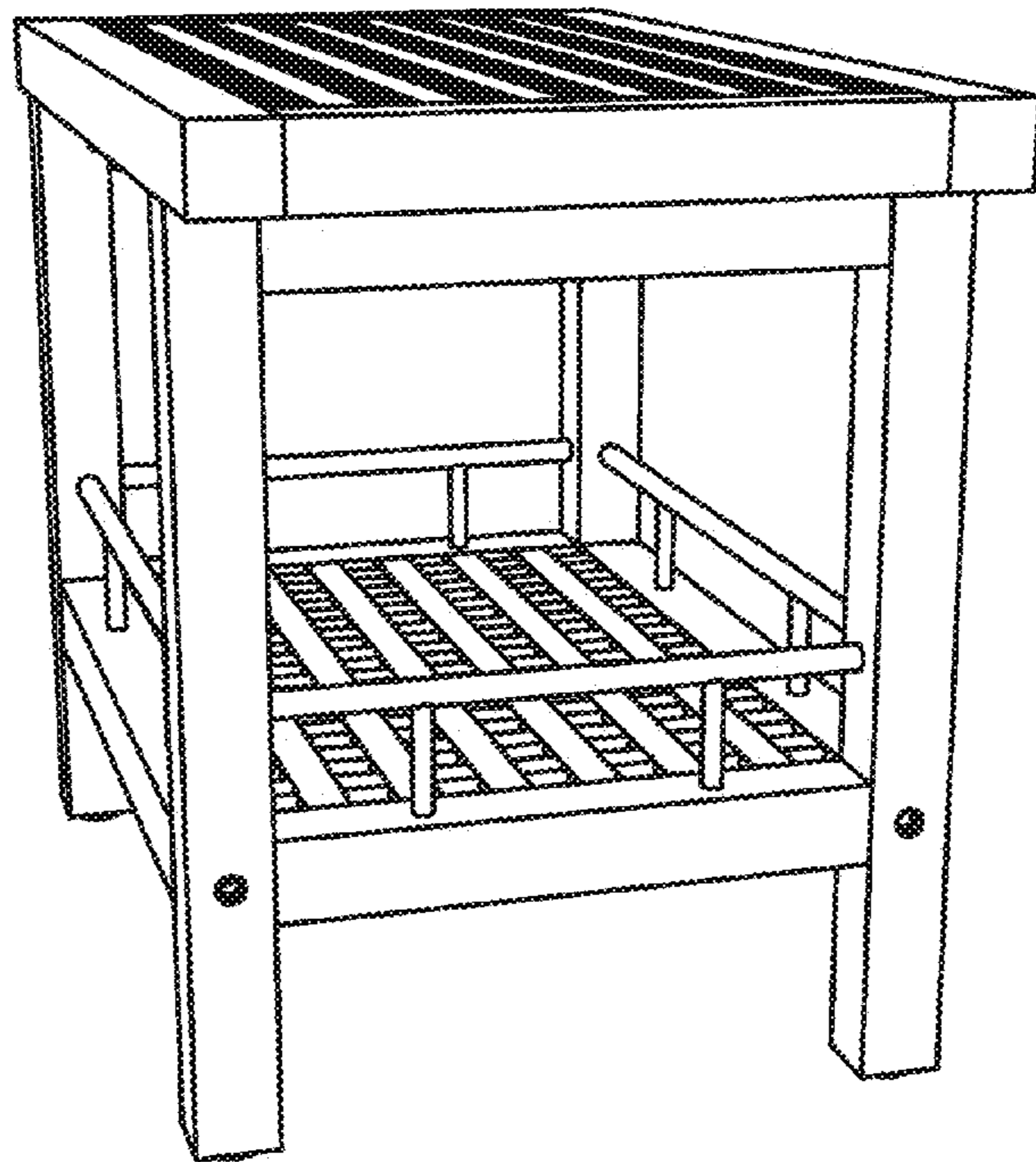


Fig. 3

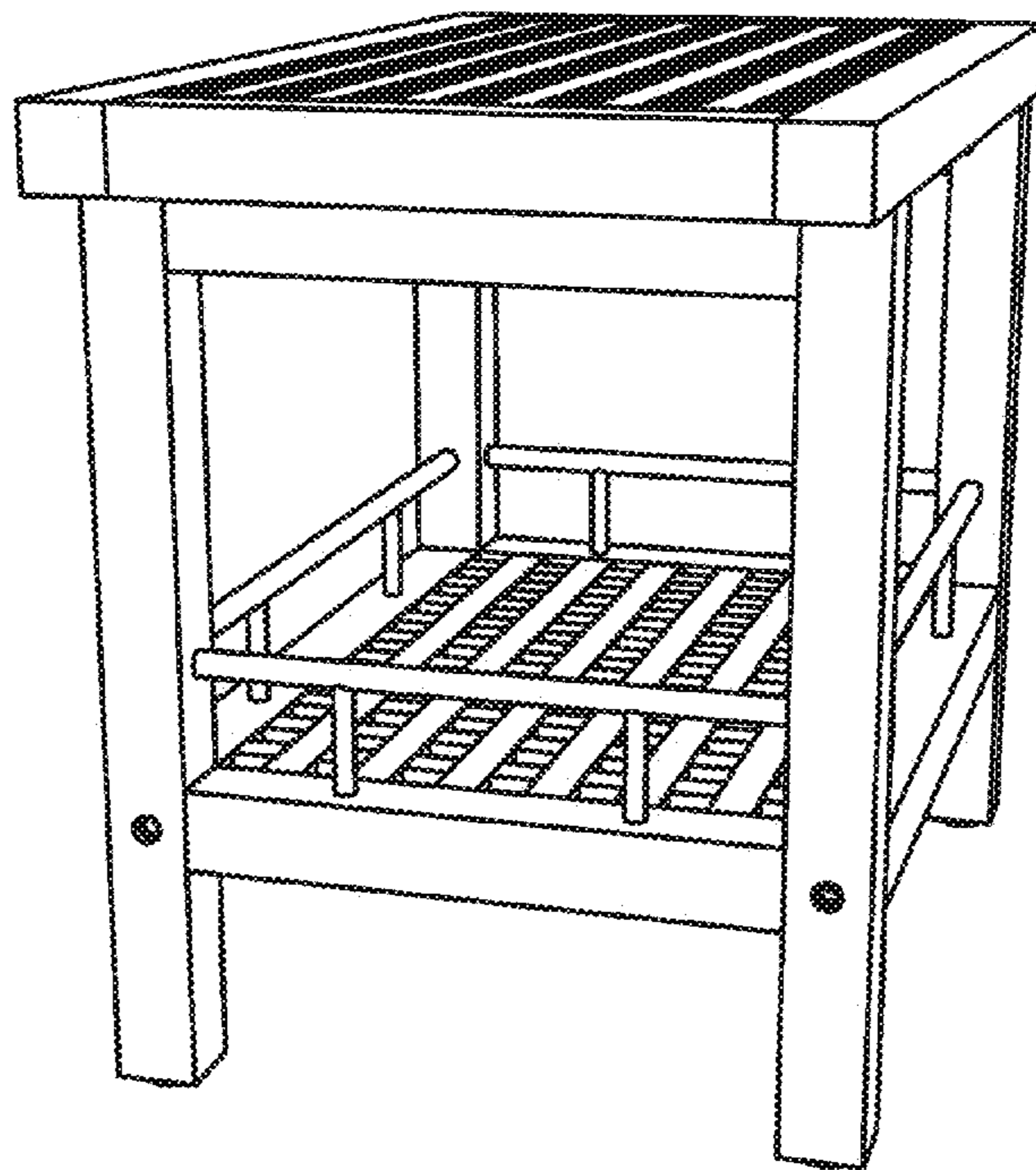
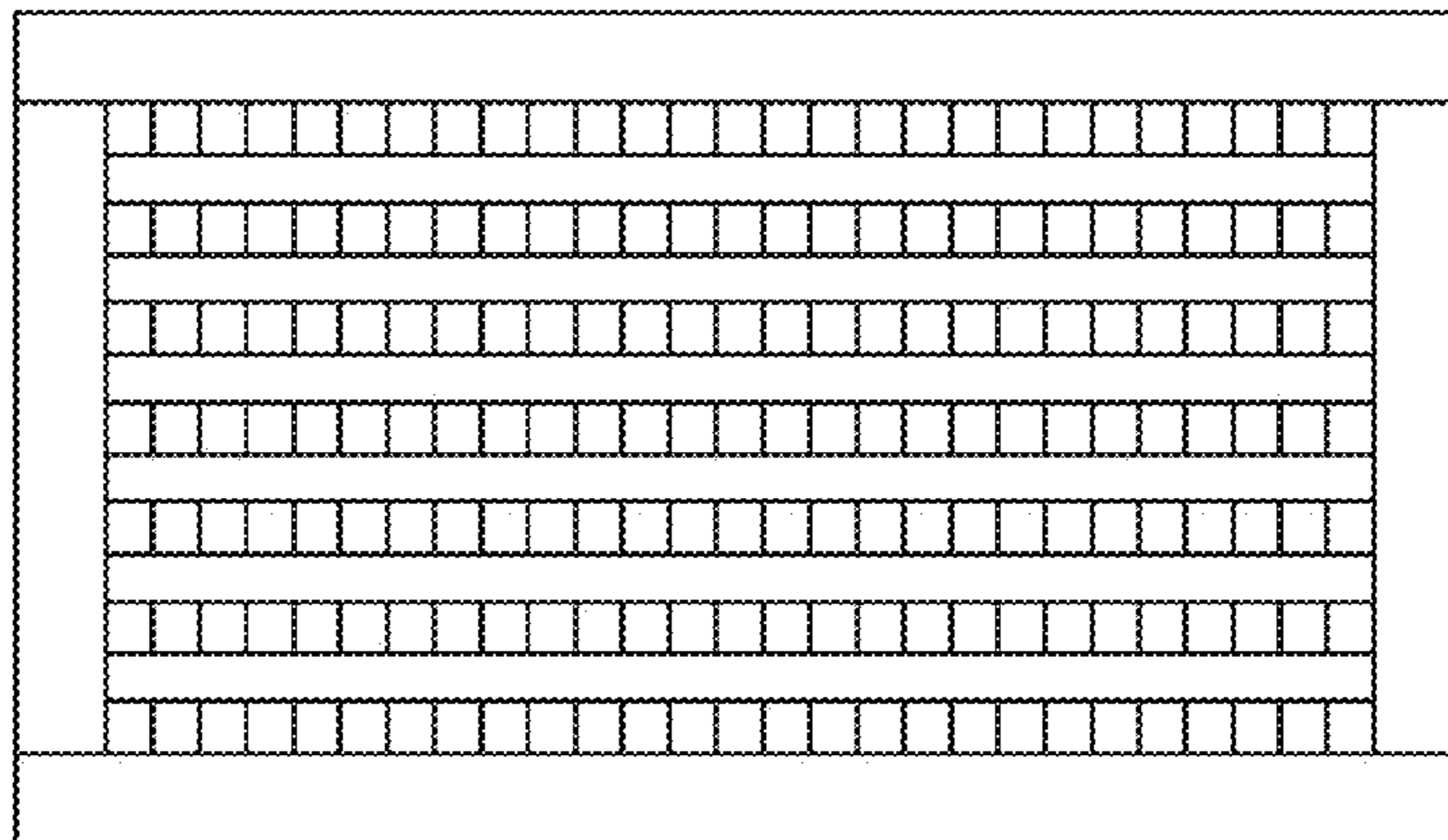


Fig. 4

Fig. 5



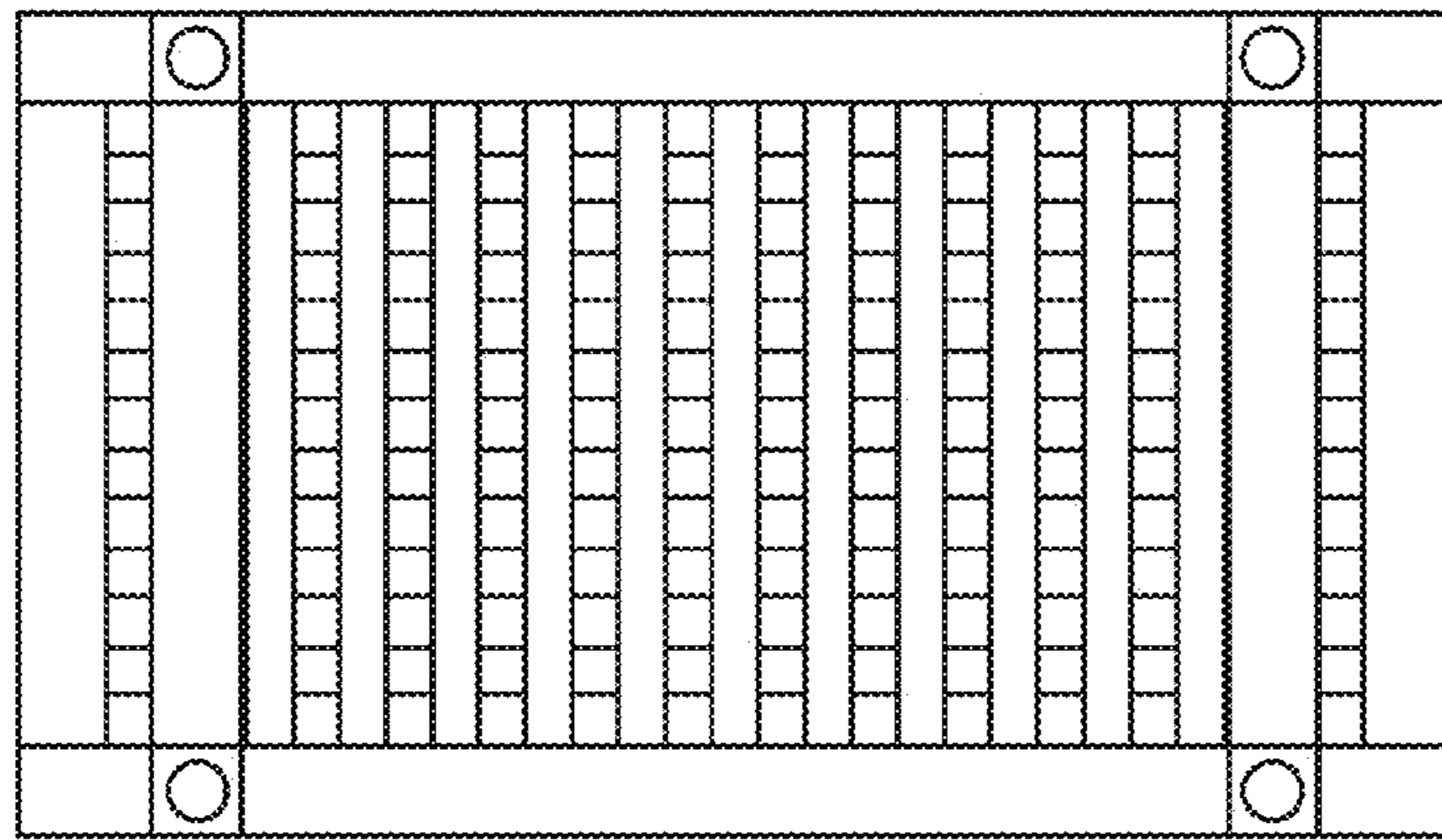


Fig. 6