



US00D713153S

(12) **United States Design Patent**
Lu

(10) **Patent No.:** **US D713,153 S**
(45) **Date of Patent:** **** Sep. 16, 2014**

(54) **BARBEQUE GRILL BRUSH**

(56) **References Cited**

(71) Applicant: **James Lu**, Alpharetta, GA (US)

U.S. PATENT DOCUMENTS

(72) Inventor: **James Lu**, Alpharetta, GA (US)

D74,189	S	*	1/1928	Robbins	D32/52
1,991,559	A	*	2/1935	Kingman	510/439
2,891,360	A	*	6/1959	Duffie	451/359
2,958,885	A	*	11/1960	Donney	401/196
D360,763	S	*	8/1995	Camp, Jr. et al.	D4/138
6,023,810	A	*	2/2000	Gessert	15/229.13
D544,213	S	*	6/2007	Dow et al.	D4/119
D590,600	S	*	4/2009	Dow et al.	D4/119
D690,115	S	*	9/2013	Zemel et al.	D4/129

(73) Assignees: **International Business Corporation**,
Alpharetta, GA (US); **Progressive**
Global Enterprises Co., Ltd., Taipei
(TW)

* cited by examiner

(**) Term: **14 Years**

Primary Examiner — Melanie H Tung
Assistant Examiner — Lavone D Tabor

(21) Appl. No.: **29/467,538**

(74) *Attorney, Agent, or Firm* — Rodgers & Rodgers

(22) Filed: **Sep. 20, 2013**

(57) **CLAIM**

The ornamental design for a barbecue grill brush, as shown and described.

(51) **LOC (10) Cl.** **04-01**

DESCRIPTION

(52) **U.S. Cl.**

USPC **D4/119**; D4/129; D4/137; D32/52

FIG. 1 is a perspective view of a barbecue grill brush showing my new design;
FIG. 2 is a bottom perspective view thereof;
FIG. 3 is a reduced top plan view thereof;
FIG. 4 is a reduced front elevational view thereof, the rear being the same in appearance;
FIG. 5 is a reduced bottom plan view thereof; and,
FIG. 6 is a reduced right-side elevational view thereof, the left side being the same in appearance.

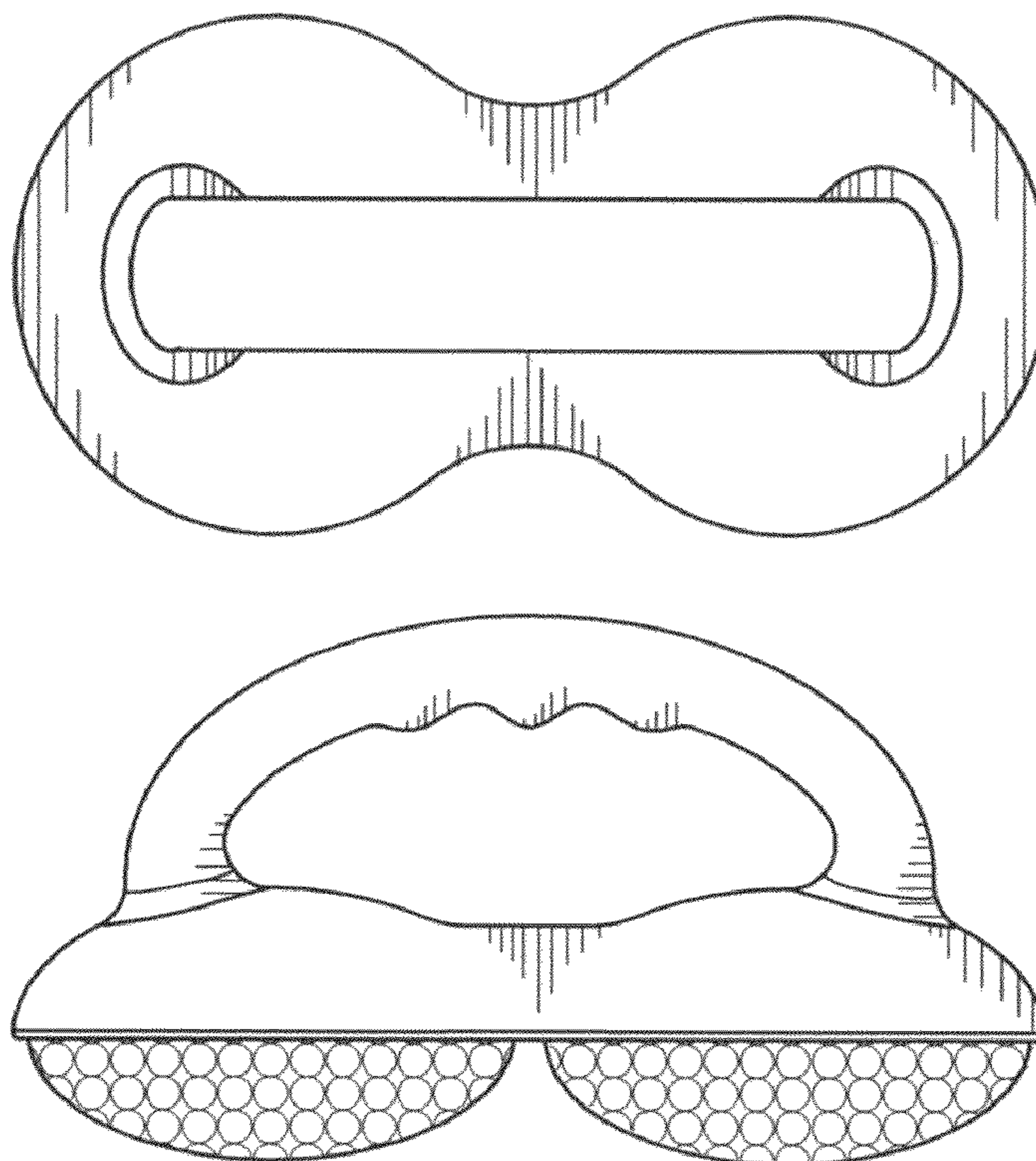
(58) **Field of Classification Search**

CPC A47L 13/07; A47L 13/10; A47L 13/12;
A47L 13/16; A47L 13/17; A47L 13/34

USPC D4/119, 120, 127, 129, 138; D32/40,
D32/42, 51, 52; 15/111, 118, 143.1,
15/229.11–229.13, 244.1, 244.3

See application file for complete search history.

1 Claim, 2 Drawing Sheets



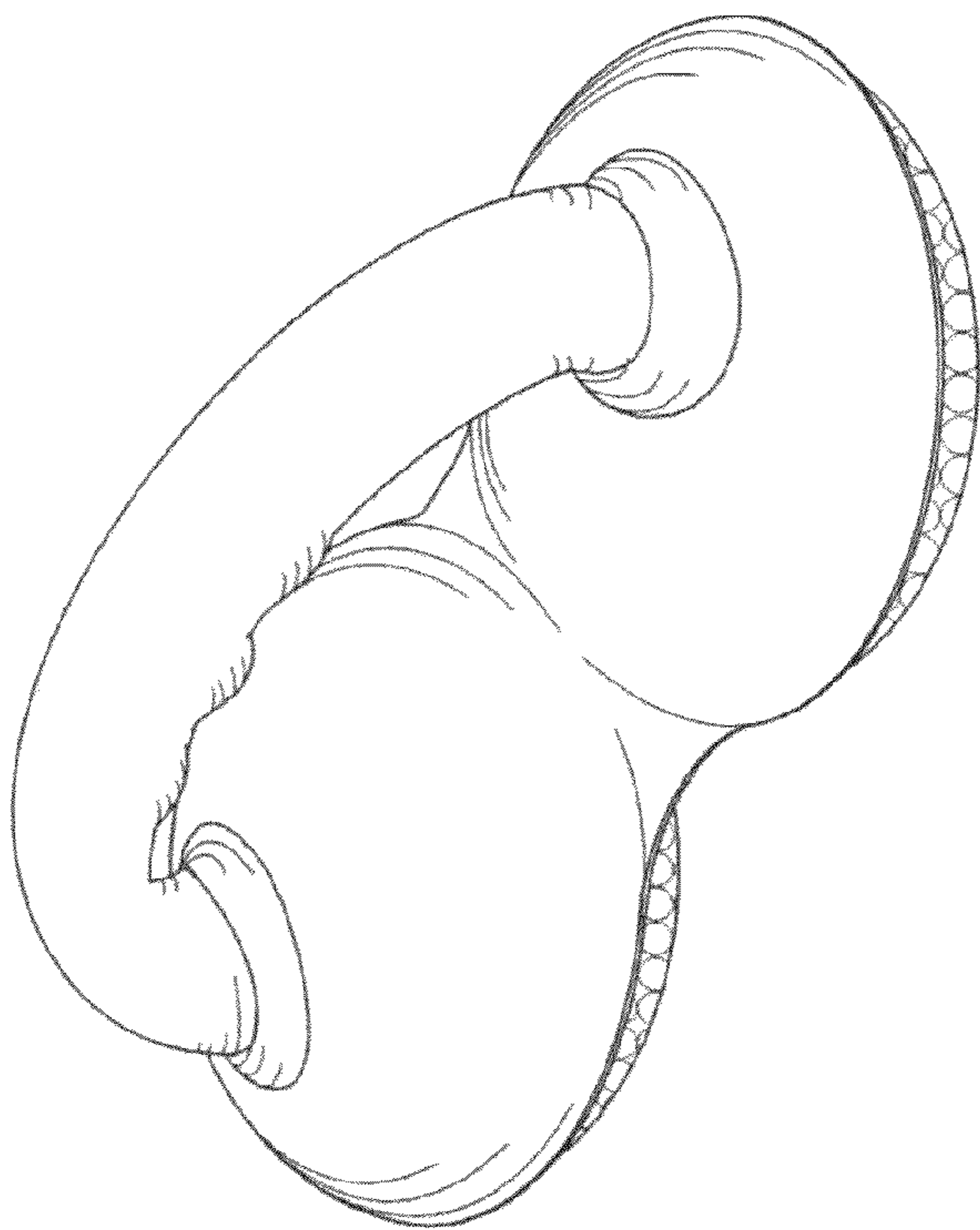


FIG. 1

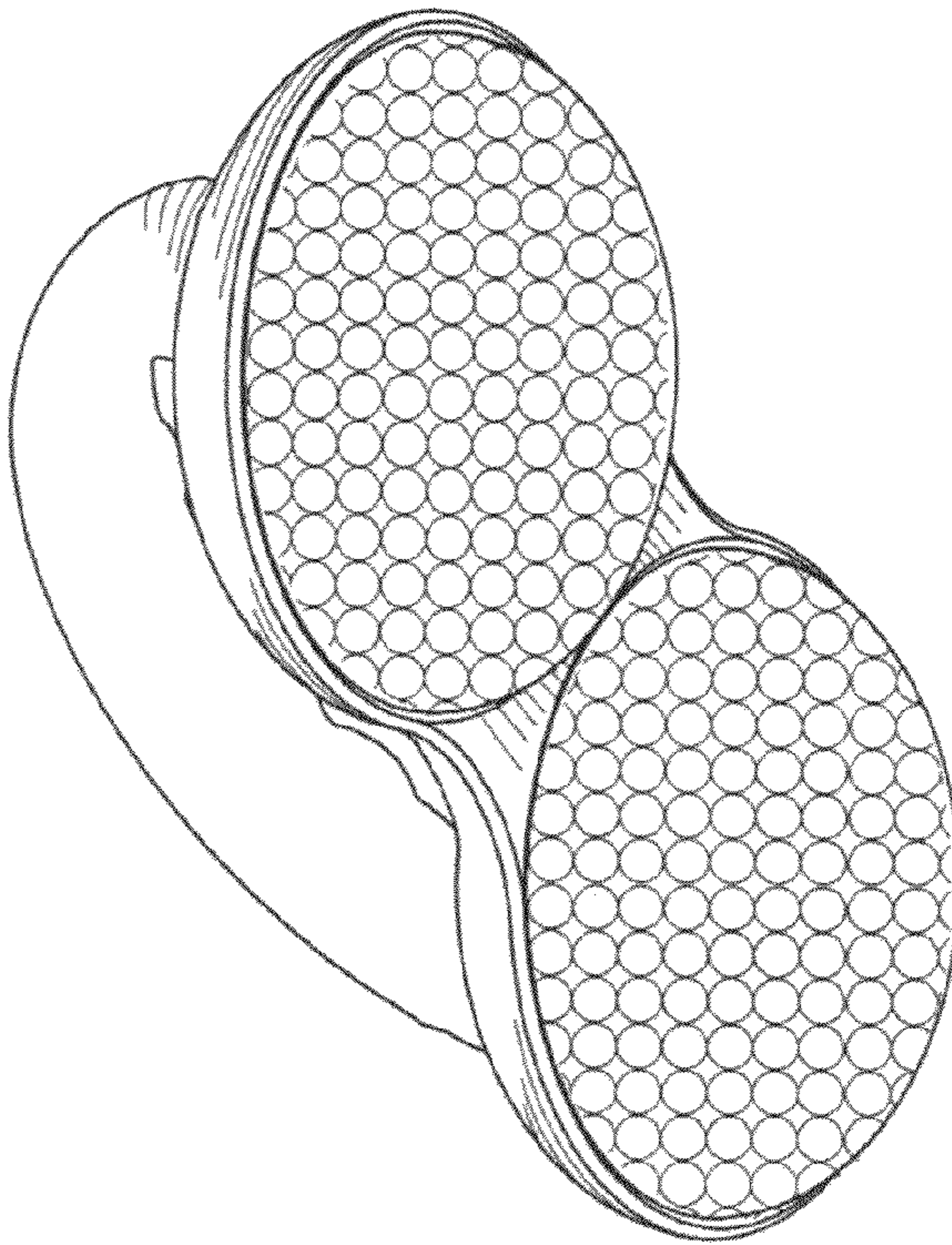


FIG. 2

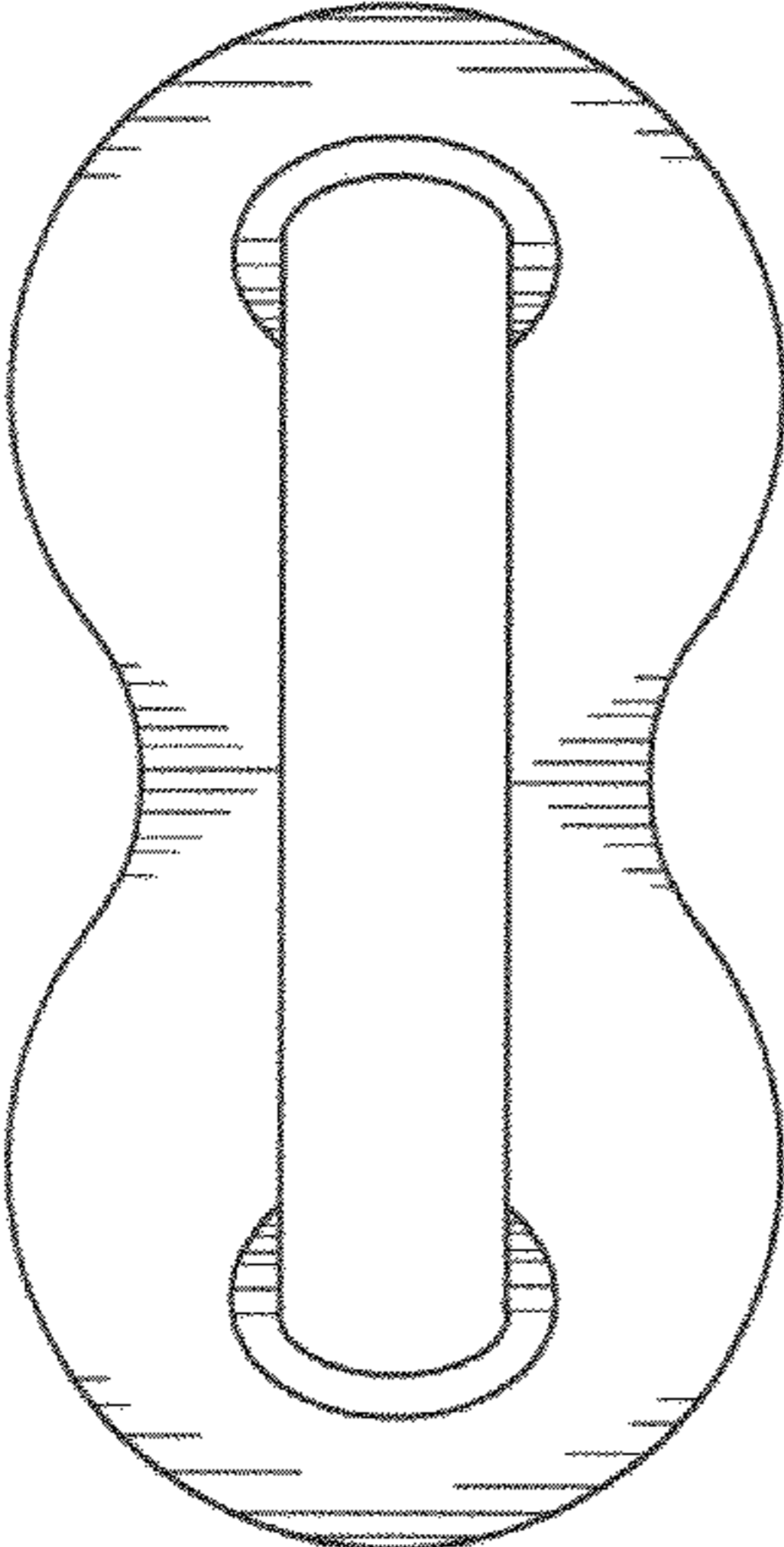


FIG. 3

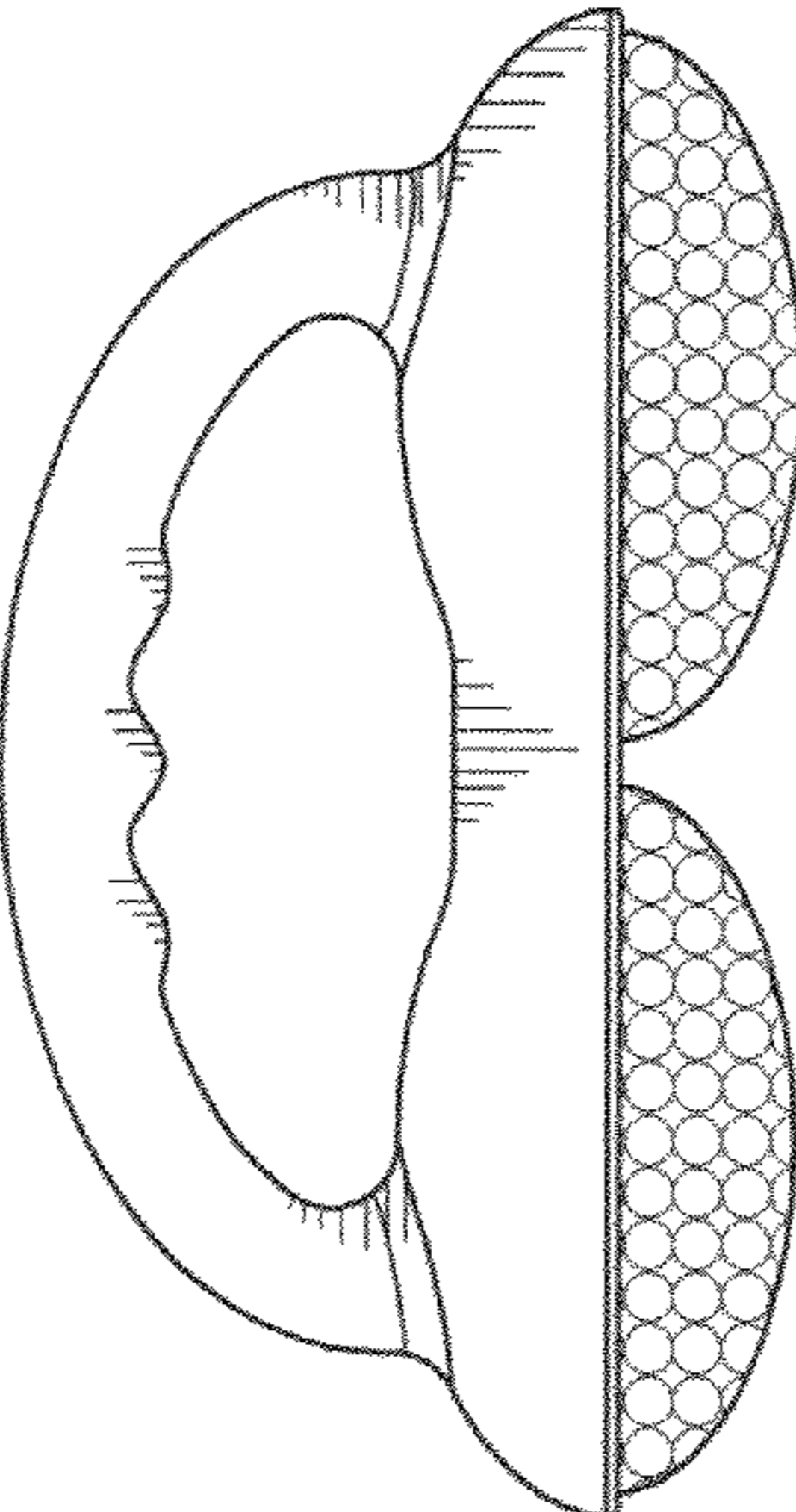


FIG. 4

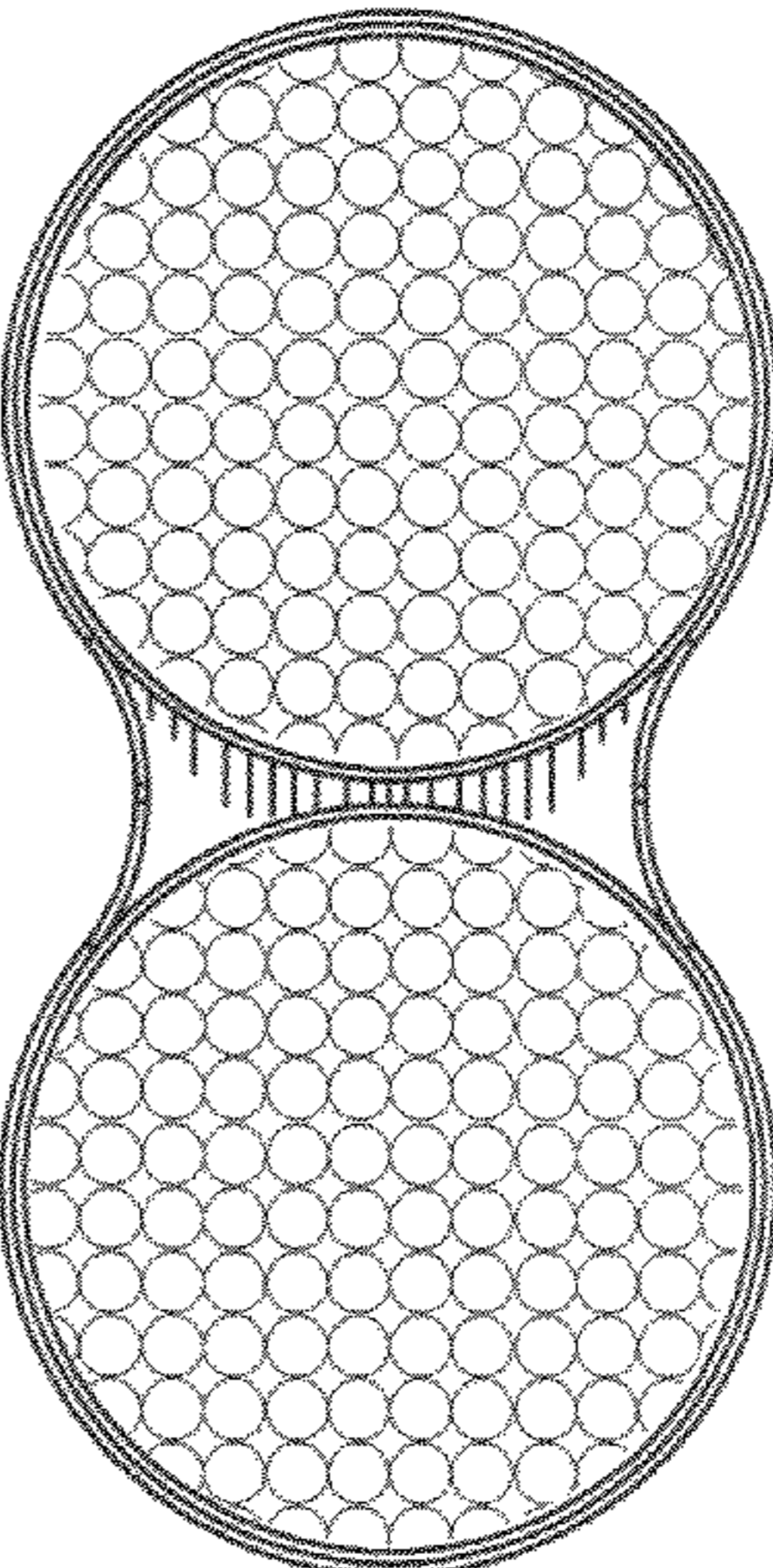


FIG. 5

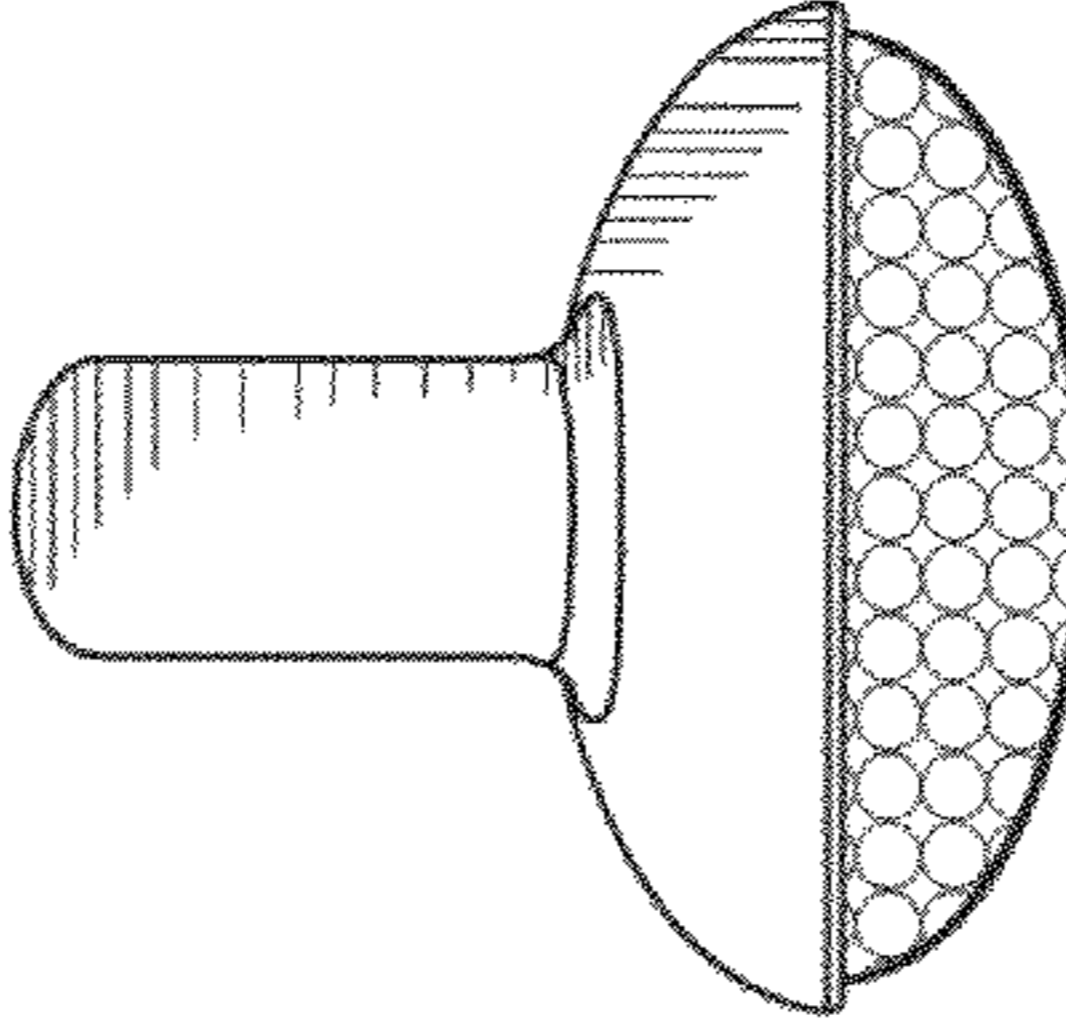


FIG. 6