



US00D713152S

(12) **United States Design Patent**  
**Lu**

(10) **Patent No.:** **US D713,152 S**  
(45) **Date of Patent:** **\*\* Sep. 16, 2014**

(54) **BARBEQUE GRILL SPRAY BRUSH**

(56) **References Cited**

(71) Applicant: **James Lu**, Alpharetta, GA (US)

U.S. PATENT DOCUMENTS

(72) Inventor: **James Lu**, Alpharetta, GA (US)

1,991,559	A *	2/1935	Kingman	510/439
2,958,885	A *	11/1960	Donney	401/196
D338,298	S *	8/1993	Grim, Sr.	D32/45
5,454,659	A *	10/1995	Vosbikian et al.	401/207
D381,483	S *	7/1997	Hartman	D32/48
6,023,810	A *	2/2000	Gessert	15/229.13
6,041,466	A *	3/2000	Payton, Jr.	15/105
D546,066	S *	7/2007	Rothman	D4/122
D562,562	S *	2/2008	Wales	D4/114
D659,925	S *	5/2012	Zemel	D32/49
D673,372	S *	1/2013	Wales	D4/114
2010/0067972	A1 *	3/2010	Ashworth et al.	401/270

(73) Assignees: **International Business Corporation**, Alpharetta, GA (US); **Progressive Global Enterprises Co., Ltd.**, Taipei (TW)

(\*\*) Term: **14 Years**

\* cited by examiner

(21) Appl. No.: **29/467,525**

*Primary Examiner* — Melanie H Tung

(22) Filed: **Sep. 20, 2013**

*Assistant Examiner* — Lavone D Tabor

(51) **LOC (10) Cl.** ..... **04-01**

(74) *Attorney, Agent, or Firm* — Rodgers & Rodgers

(52) **U.S. Cl.**  
USPC ..... **D4/114; D4/118; D4/137; D32/42; D32/45**

(57) **CLAIM**

The ornamental design for a barbecue grill spray brush, as shown and described.

(58) **Field of Classification Search**

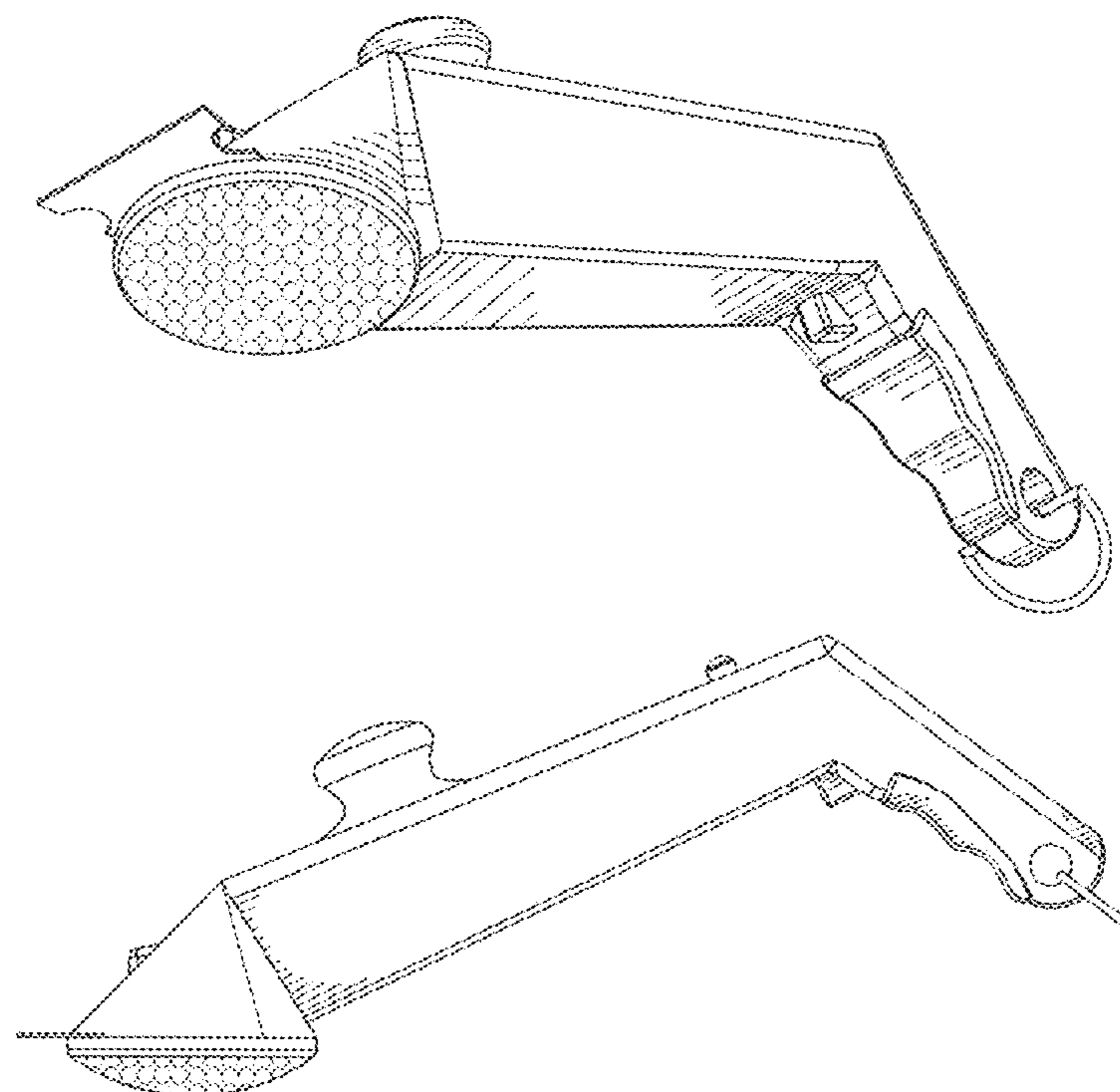
**DESCRIPTION**

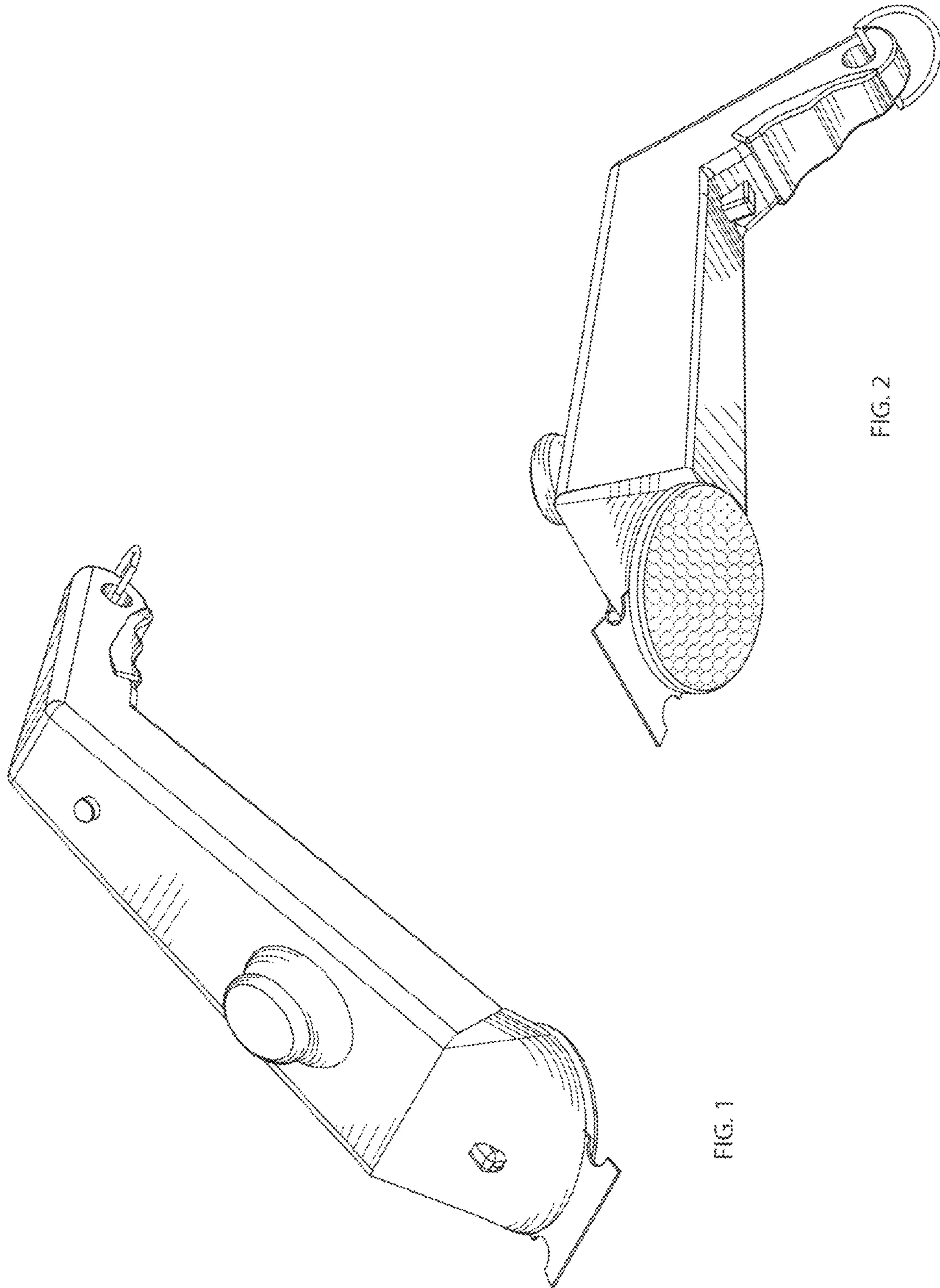
CPC ..... A47L 13/02; A47L 13/03; A47L 13/04; A47L 13/07; A47L 13/08; A47L 13/10; A47L 13/12; A47L 13/16; A47L 13/17; A47L 13/34  
USPC ..... D4/114, 118, 127, 132, 138; D32/40, D32/42, 46, 48, 49, 51; 15/111, 118, 143.1, 15/229.11–229.13, 236.01, 236.02, 15/236.07, 239.09, 244.1, 244.3; 401/25, 401/27, 187, 188 R, 205, 206, 261, 263, 266

FIG. 1 is a perspective view of a barbecue grill spray brush showing my new design;  
FIG. 2 is a bottom perspective view thereof;  
FIG. 3 is a reduced top plan view thereof;  
FIG. 4 is a reduced front elevational view thereof, the rear being a mirror image thereof;  
FIG. 5 is a reduced bottom plan view thereof;  
FIG. 6 is a reduced left-side elevation view thereof; and,  
FIG. 7 is a right-side elevational view thereof.

See application file for complete search history.

**1 Claim, 2 Drawing Sheets**





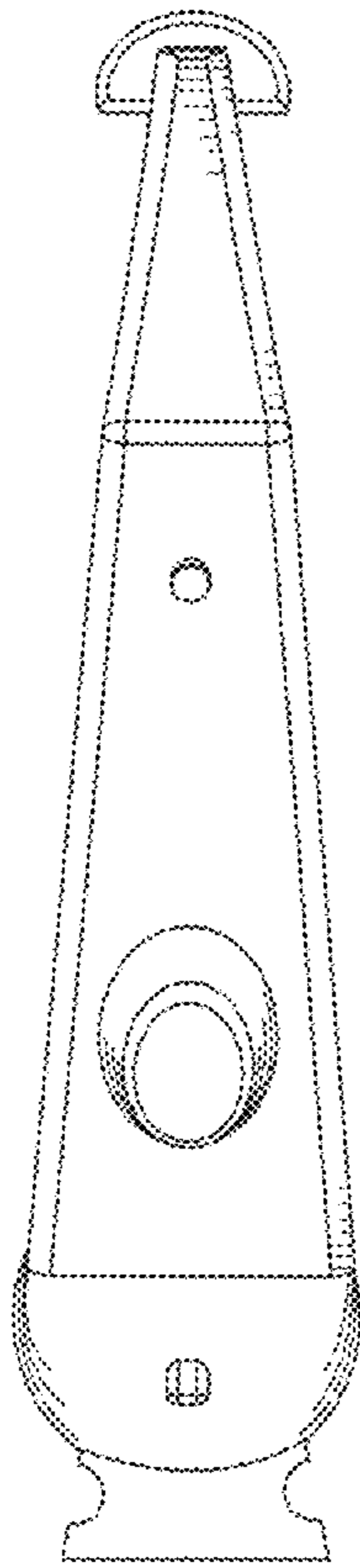


FIG. 3

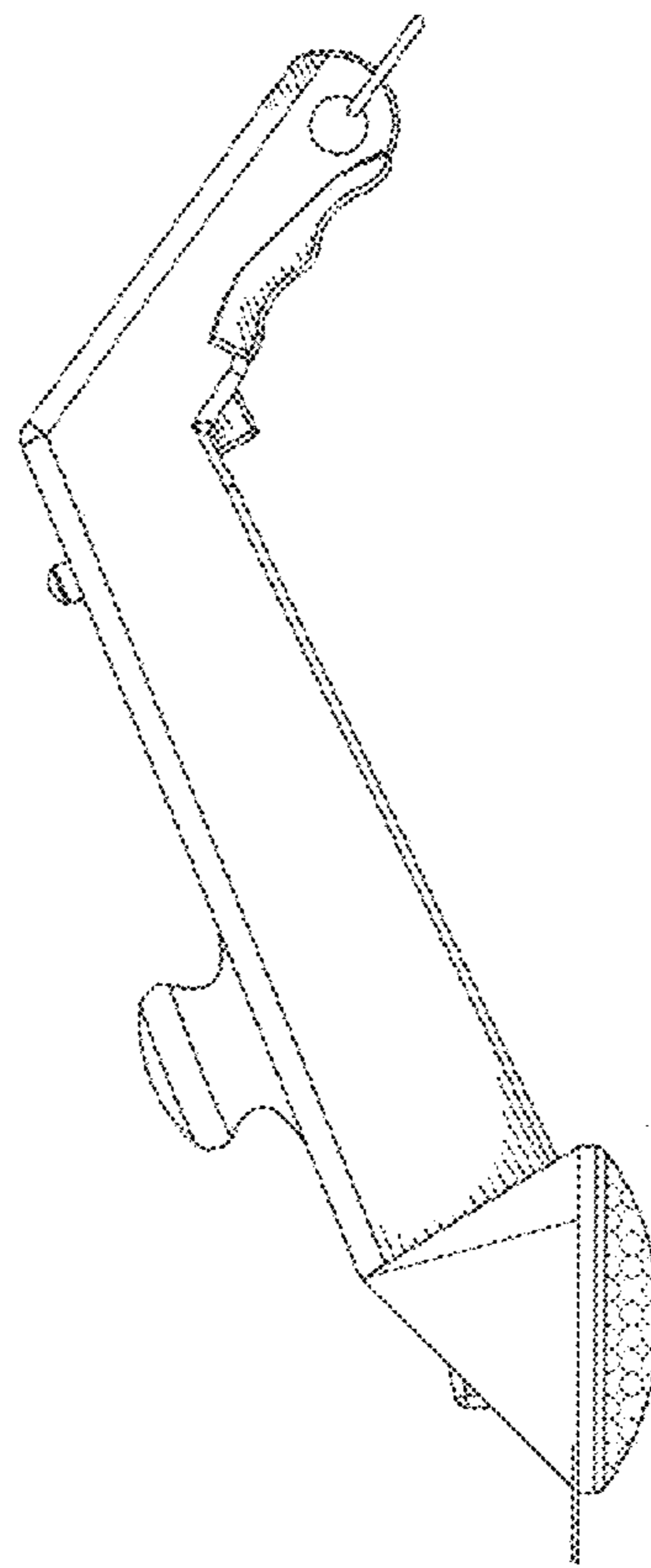


FIG. 4

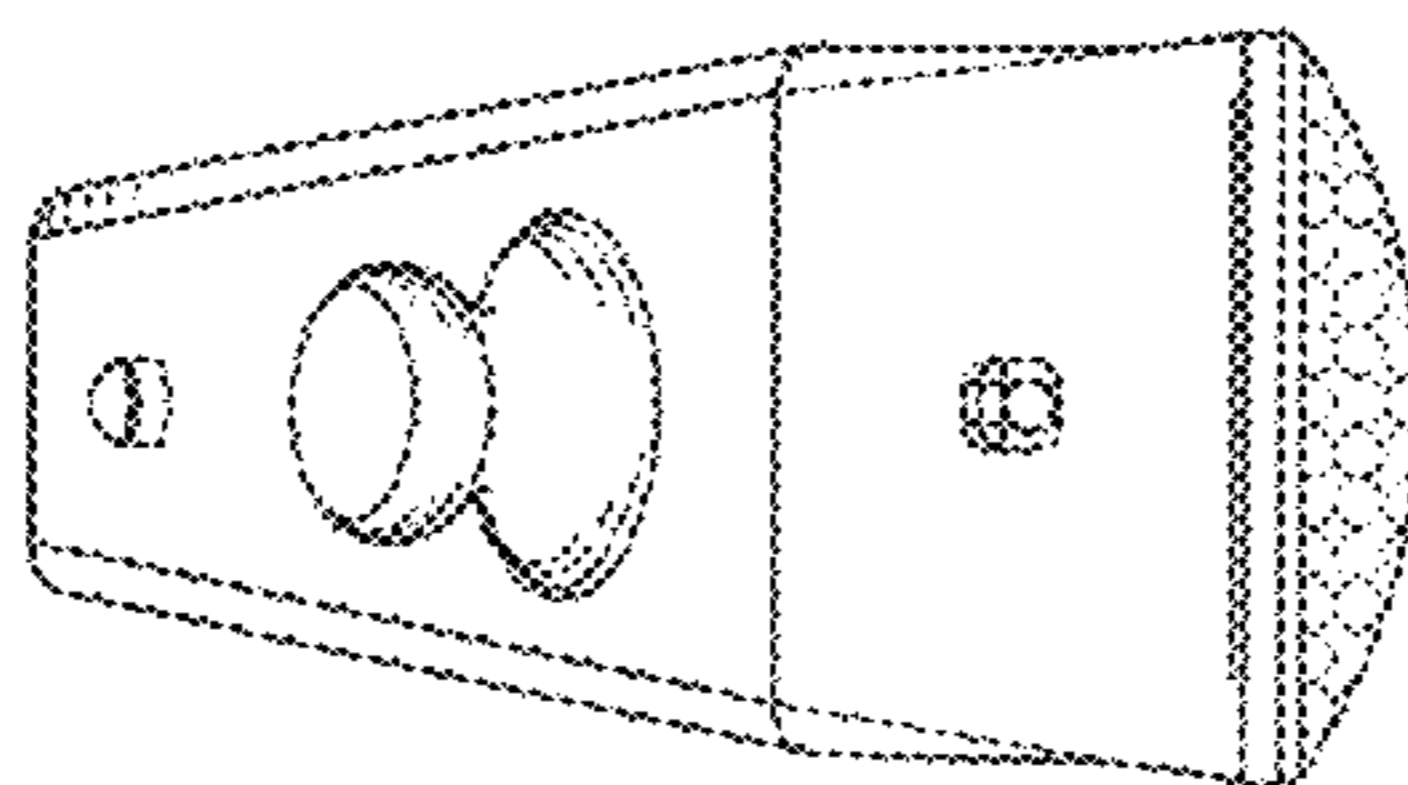


FIG. 6

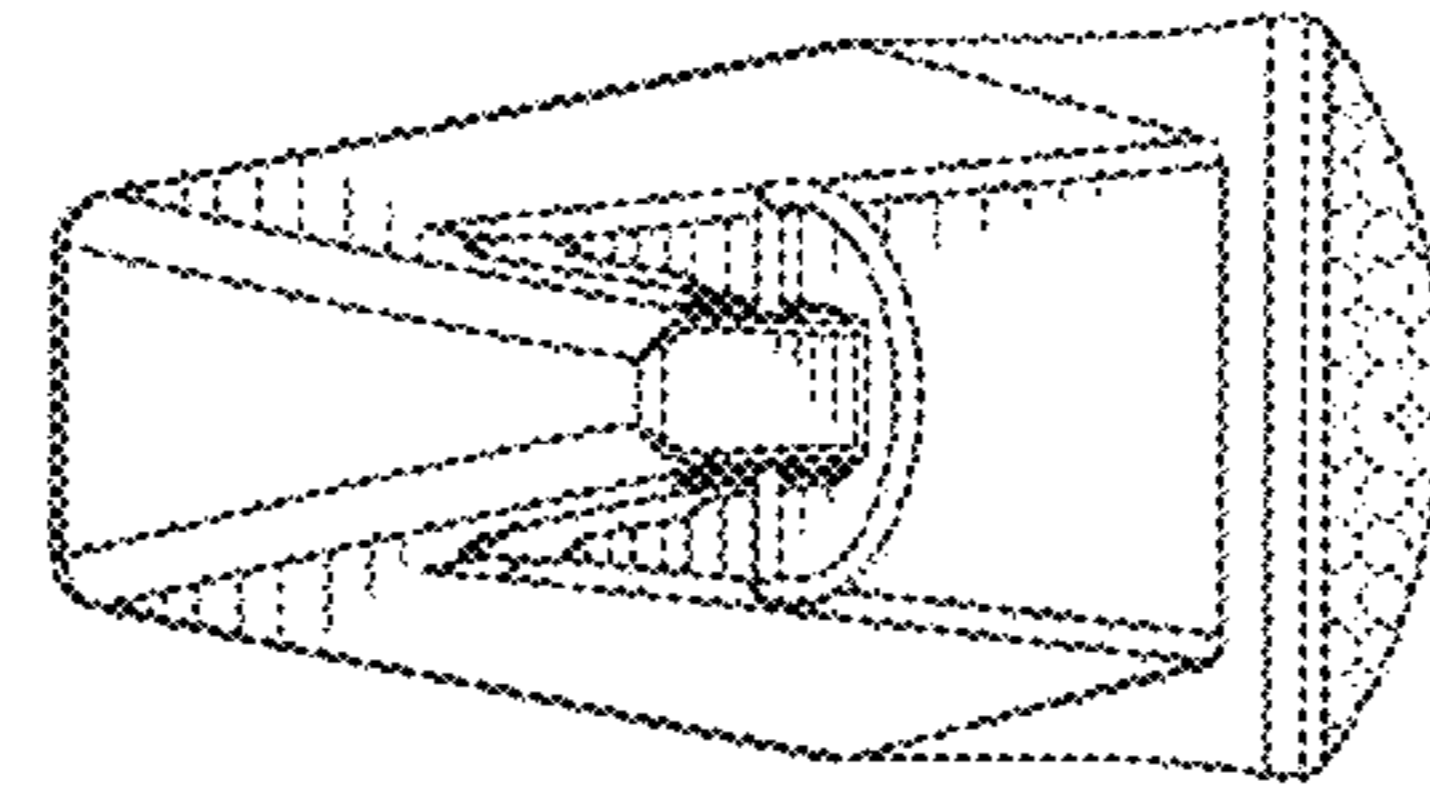


FIG. 7

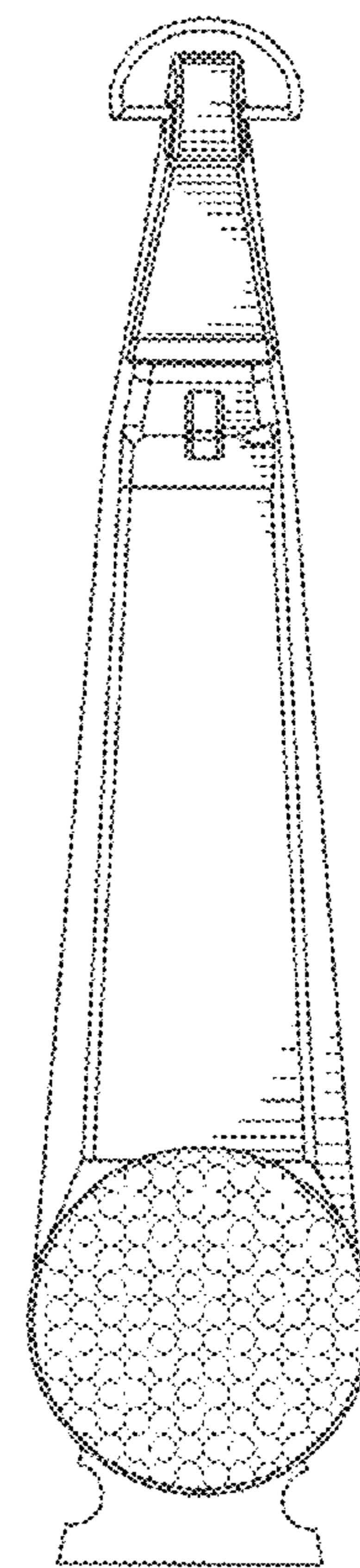


FIG. 5