



US00D713150S

(12) **United States Design Patent**
Maurin et al.

(10) **Patent No.:** **US D713,150 S**
(45) **Date of Patent:** **** Sep. 16, 2014**

(54) **MOTORIZED CLEANSING BRUSH**

(71) Applicant: **HCT Group Holdings Limited**, Santa Monica, CA (US)

(72) Inventors: **Denis Pierre Maurin**, Los Angeles, CA (US); **Megan Rene Langdon**, Santa Monica, CA (US)

(73) Assignee: **HCT Group Holdings Limited**, Santa Monica, CA (US)

(**) Term: **14 Years**

(21) Appl. No.: **29/477,577**

(22) Filed: **Dec. 23, 2013**

(51) **LOC (10) Cl.** **04-02**

(52) **U.S. Cl.**
USPC **D4/102**

(58) **Field of Classification Search**
USPC D4/100, 102, 127, 132-134, 138;
D24/146, 211, 214, 215; D28/7, 57,
D28/58, 63; 15/22.1, 28, 29, 176.1, 176.4,
15/176.5, 180, 197, 198, 200; 601/114
See application file for complete search history.

(56) **References Cited**

U.S. PATENT DOCUMENTS

4,203,431	A	*	5/1980	Abura et al.	601/6
D549,964	S	*	9/2007	Roth et al.	D4/102
D601,803	S	*	10/2009	Reishus et al.	D4/102
D646,487	S	*	10/2011	Leppla et al.	D4/102
D675,829	S	*	2/2013	Jakubow	D4/102

FOREIGN PATENT DOCUMENTS

CN	301542018	S	*	5/2011
KR	30-0525977	S	*	4/2009
KR	30-0672266	S	*	12/2012
KR	30-0681633	S	*	2/2013

OTHER PUBLICATIONS

“Clarisonic” retrieved on Dec. 19, 2013 at <<http://www.clarisonic.com/>> 5 pages.

* cited by examiner

Primary Examiner — Melanie H Tung

Assistant Examiner — Lavone D Tabor

(74) *Attorney, Agent, or Firm* — Lee & Hayes, PLLC

(57) **CLAIM**

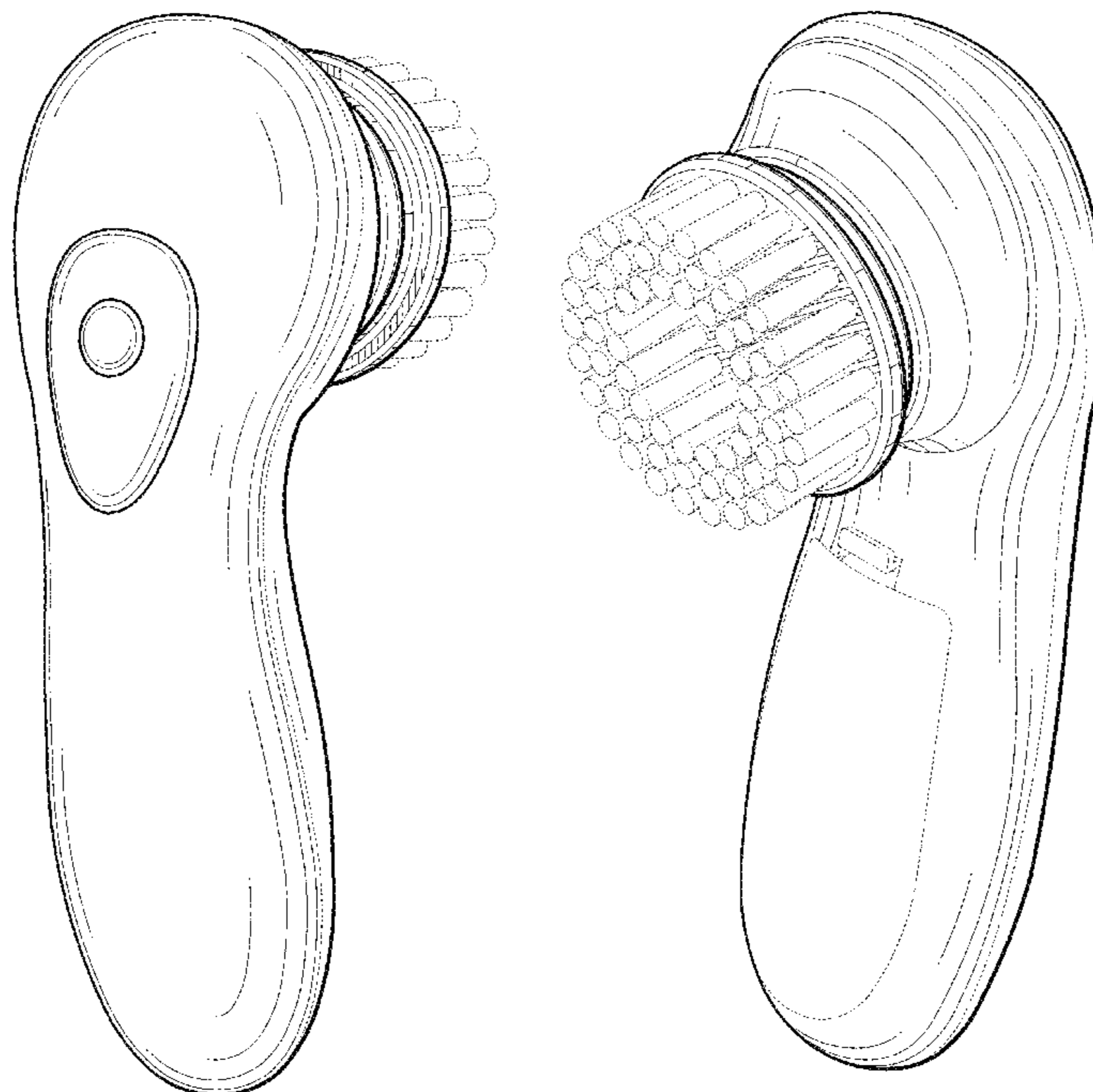
The ornamental design for a motorized cleansing brush, as shown and described.

DESCRIPTION

FIG. 1 is a perspective view of a motorized cleansing brush; FIG. 2 is another perspective view of the motorized cleansing brush of FIG. 1; FIG. 3 is a top plan view of the motorized cleansing brush of FIG. 1; FIG. 4 is a bottom plan view of the motorized cleansing brush of FIG. 1; FIG. 5 is a right-side elevation view of the motorized cleansing brush of FIG. 1, the left-side elevation view being a mirror image of FIG. 5; FIG. 6 is a front elevation view of the motorized cleansing brush of FIG. 1; and, FIG. 7 is a back elevation view of the motorized cleansing brush of FIG. 1.

The broken lines are directed to unclaimed portions and form no part of the claimed design.

1 Claim, 6 Drawing Sheets



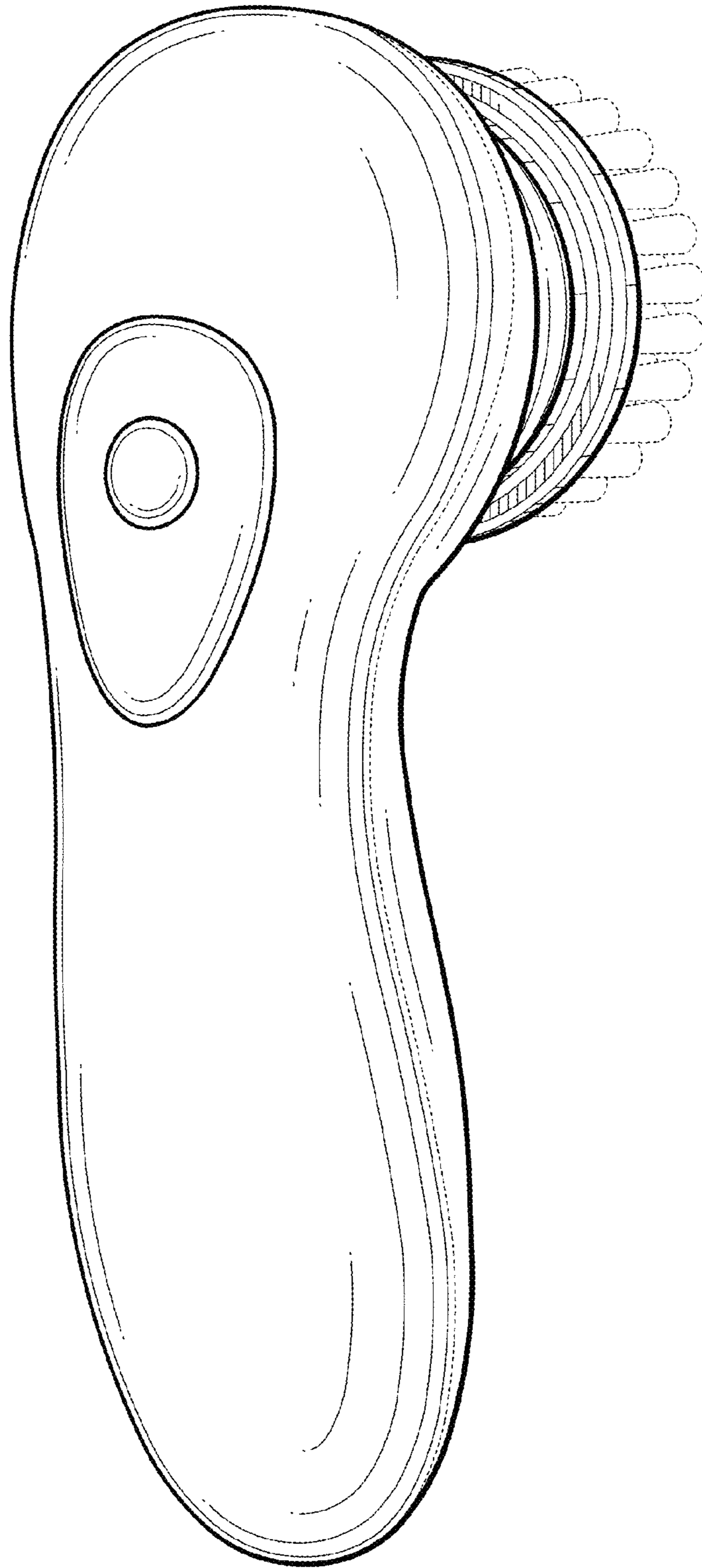


FIG. 1

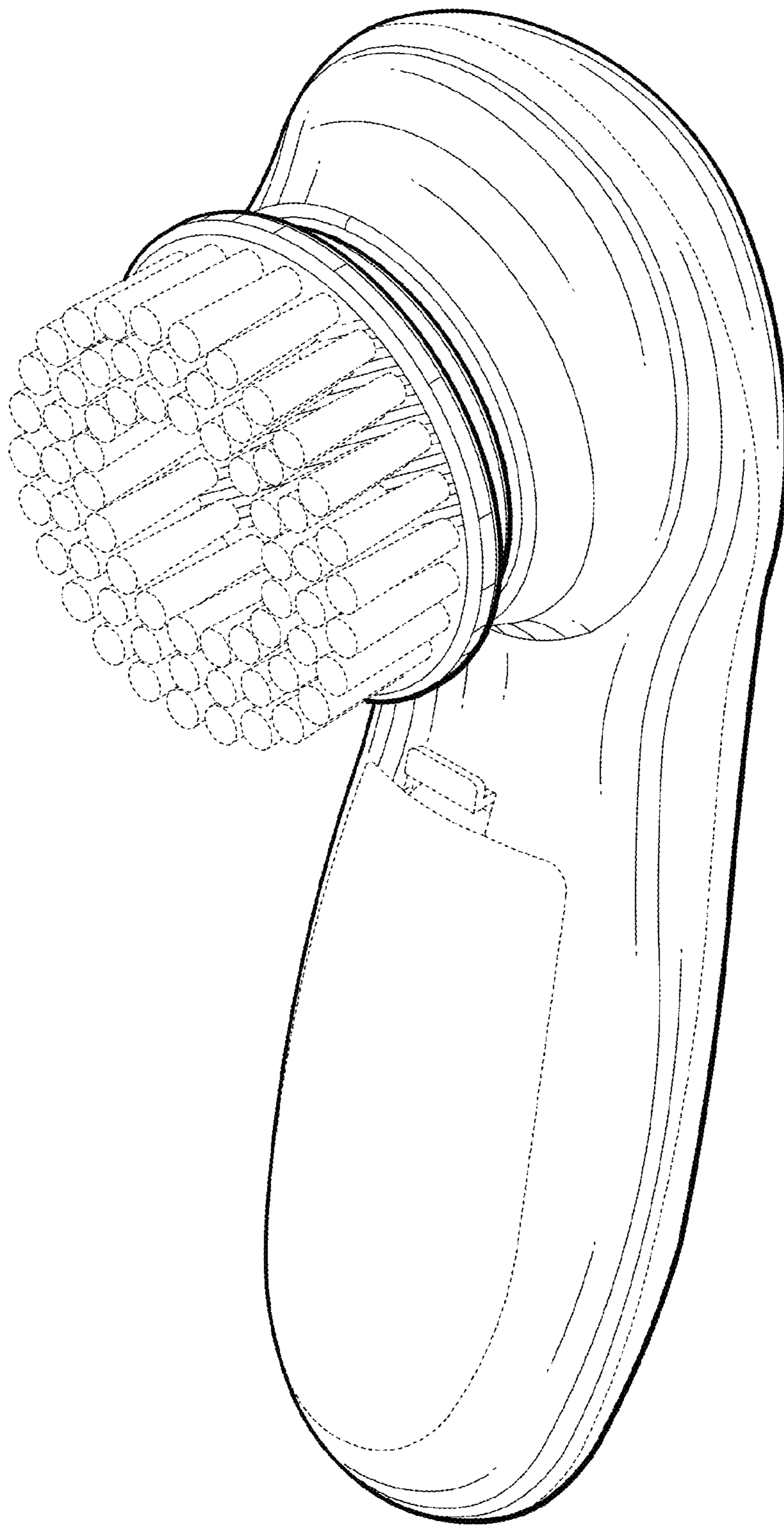


FIG. 2

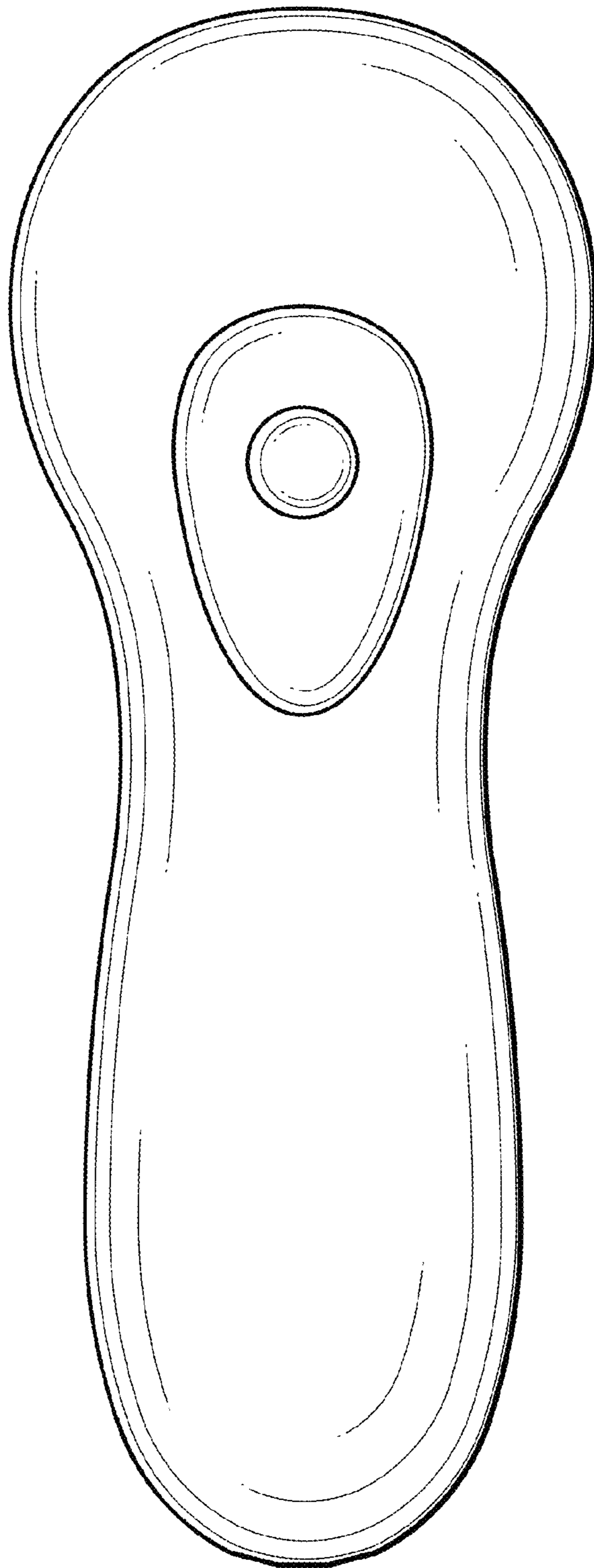


FIG. 3

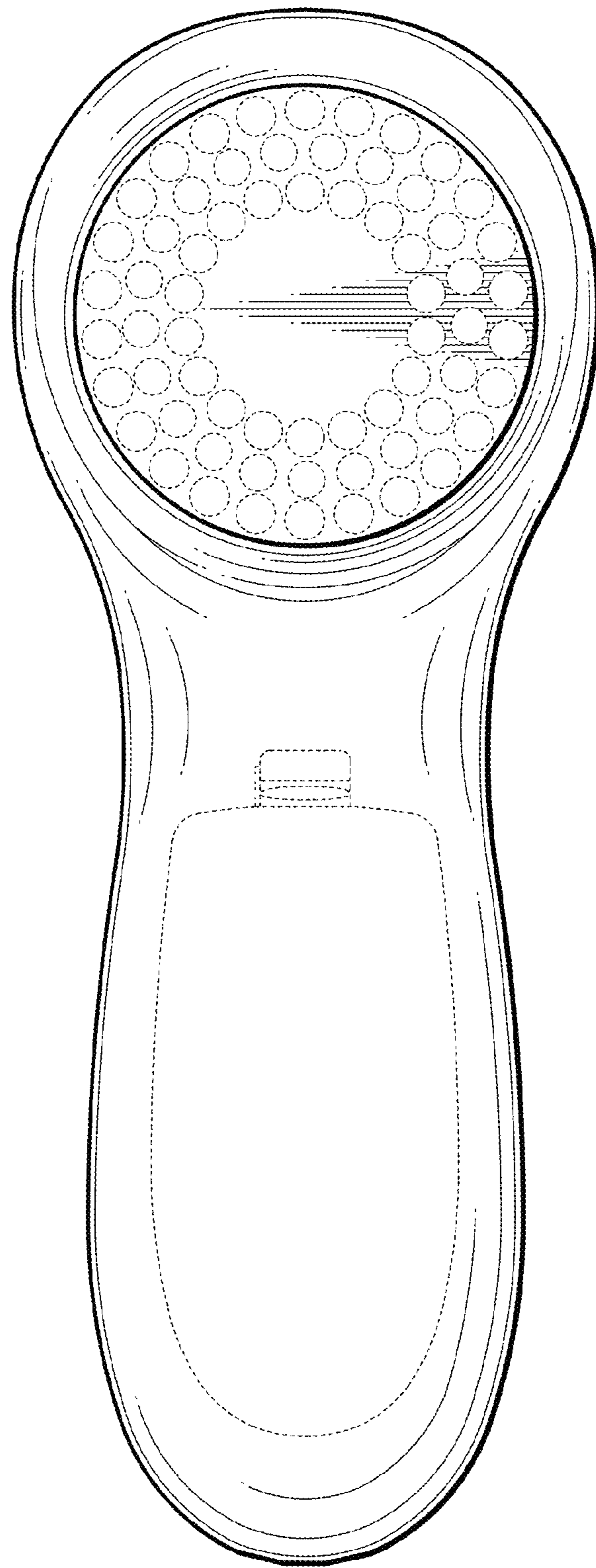


FIG. 4

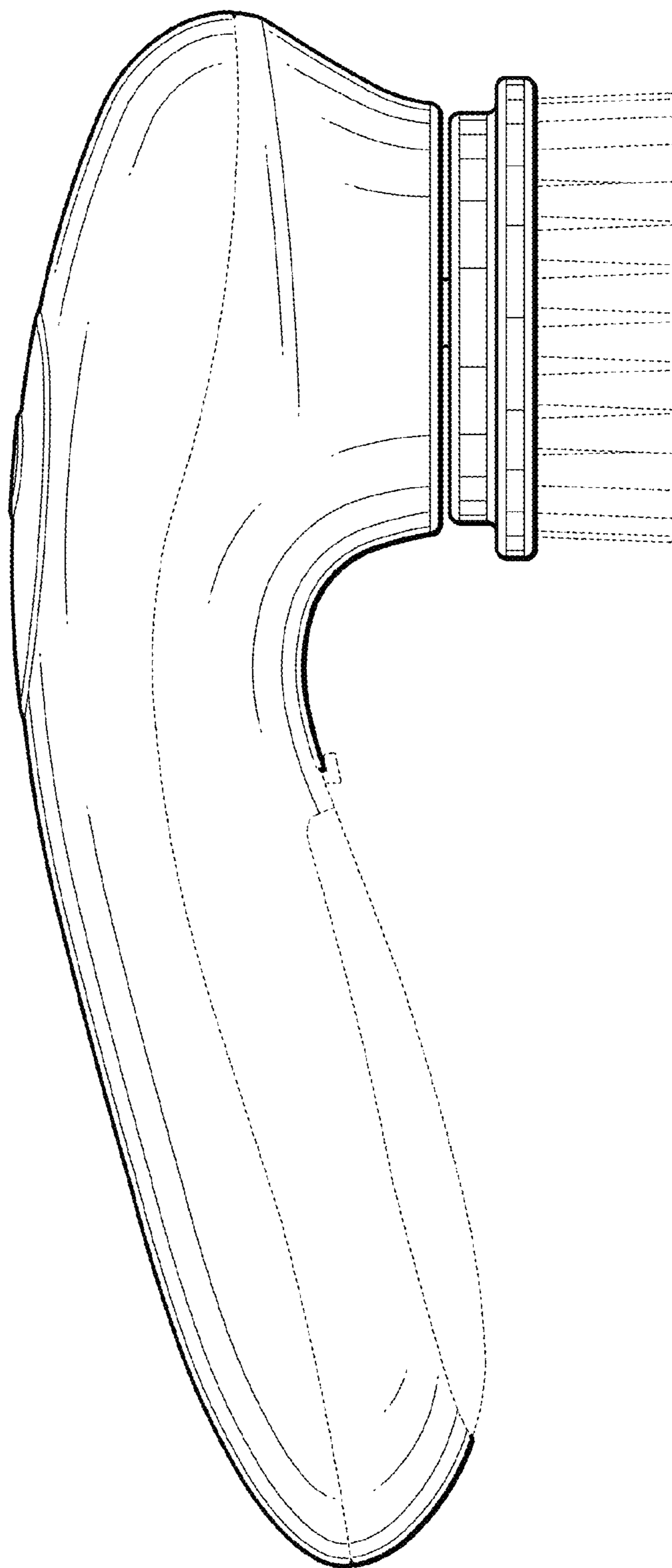


FIG. 5

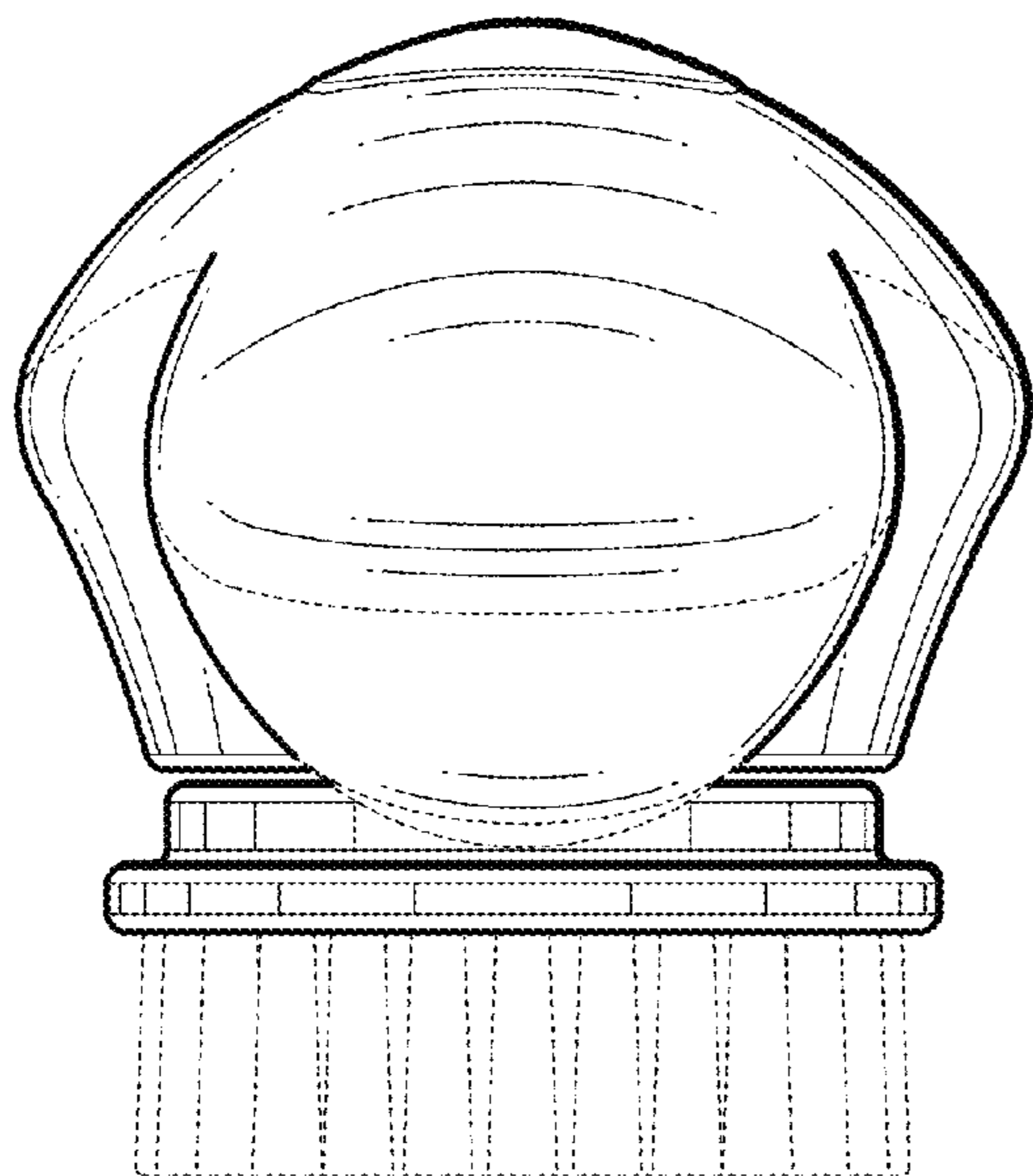


FIG. 6

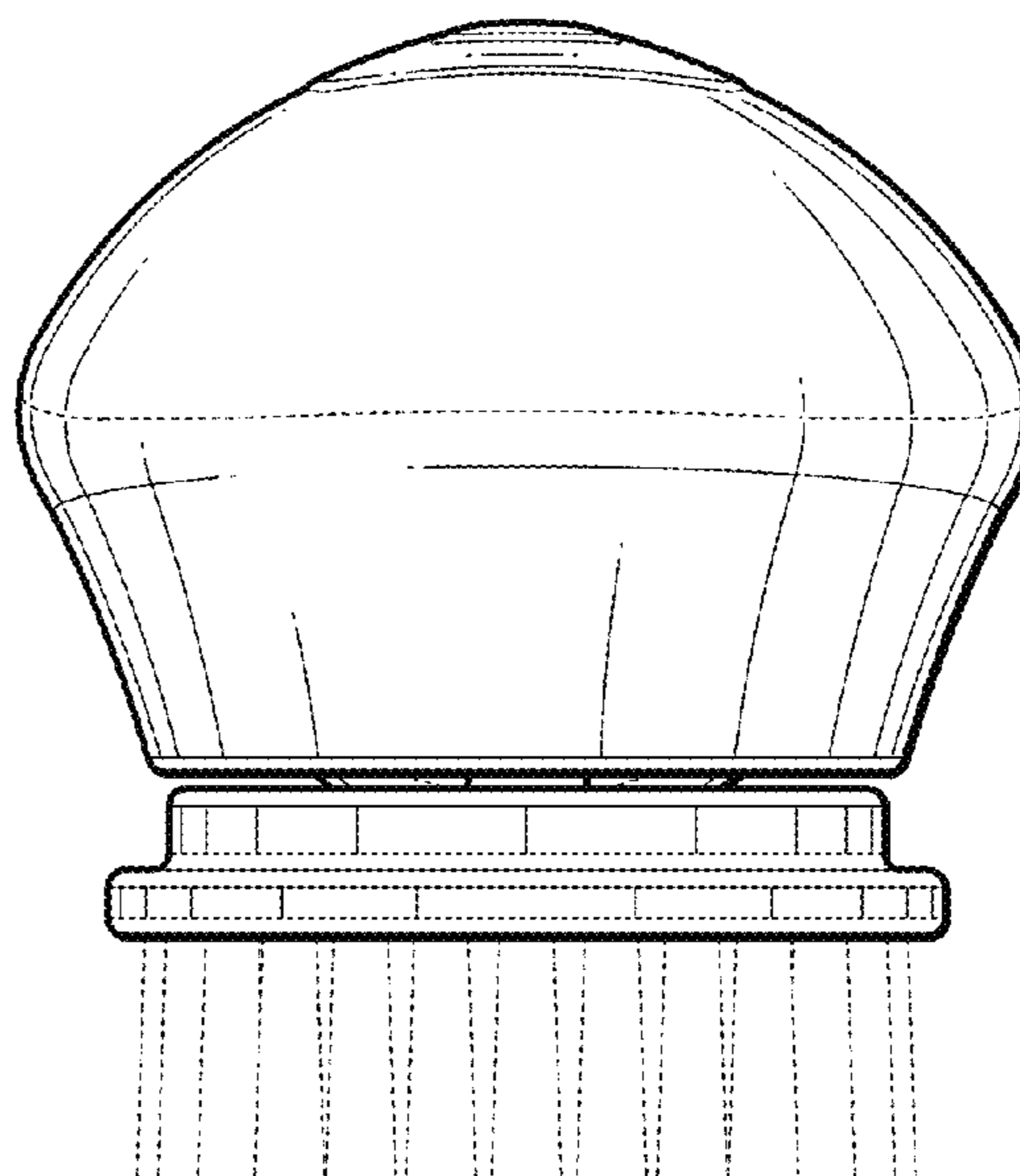


FIG. 7