



US00D713149S

(12) **United States Design Patent**
Swisa

(10) **Patent No.:** **US D713,149 S**
(45) **Date of Patent:** **** Sep. 16, 2014**

(54) **DEVICE DESIGNED FOR CARRYING AND GRIPPING BAGS**

Primary Examiner — Holly Baynham

(71) Applicant: **Eli Swisa**, Eliat (IL)

(72) Inventor: **Eli Swisa**, Eliat (IL)

(**) Term: **14 Years**

(21) Appl. No.: **29/459,173**

(22) Filed: **Jun. 26, 2013**

(51) **LOC (10) Cl.** **03-01**

(52) **U.S. Cl.**
USPC **D3/328**

(58) **Field of Classification Search**
CPC A45C 2200/20; A45C 5/00; A45F 5/10;
A45F 5/102
USPC D3/328; 294/142
See application file for complete search history.

(56) **References Cited**

U.S. PATENT DOCUMENTS

4,824,156	A *	4/1989	Greene	294/142
5,878,853	A *	3/1999	DeRouen et al.	190/116
D451,779	S *	12/2001	du Sartel	D8/107
D684,371	S *	6/2013	Ross	D3/318

* cited by examiner

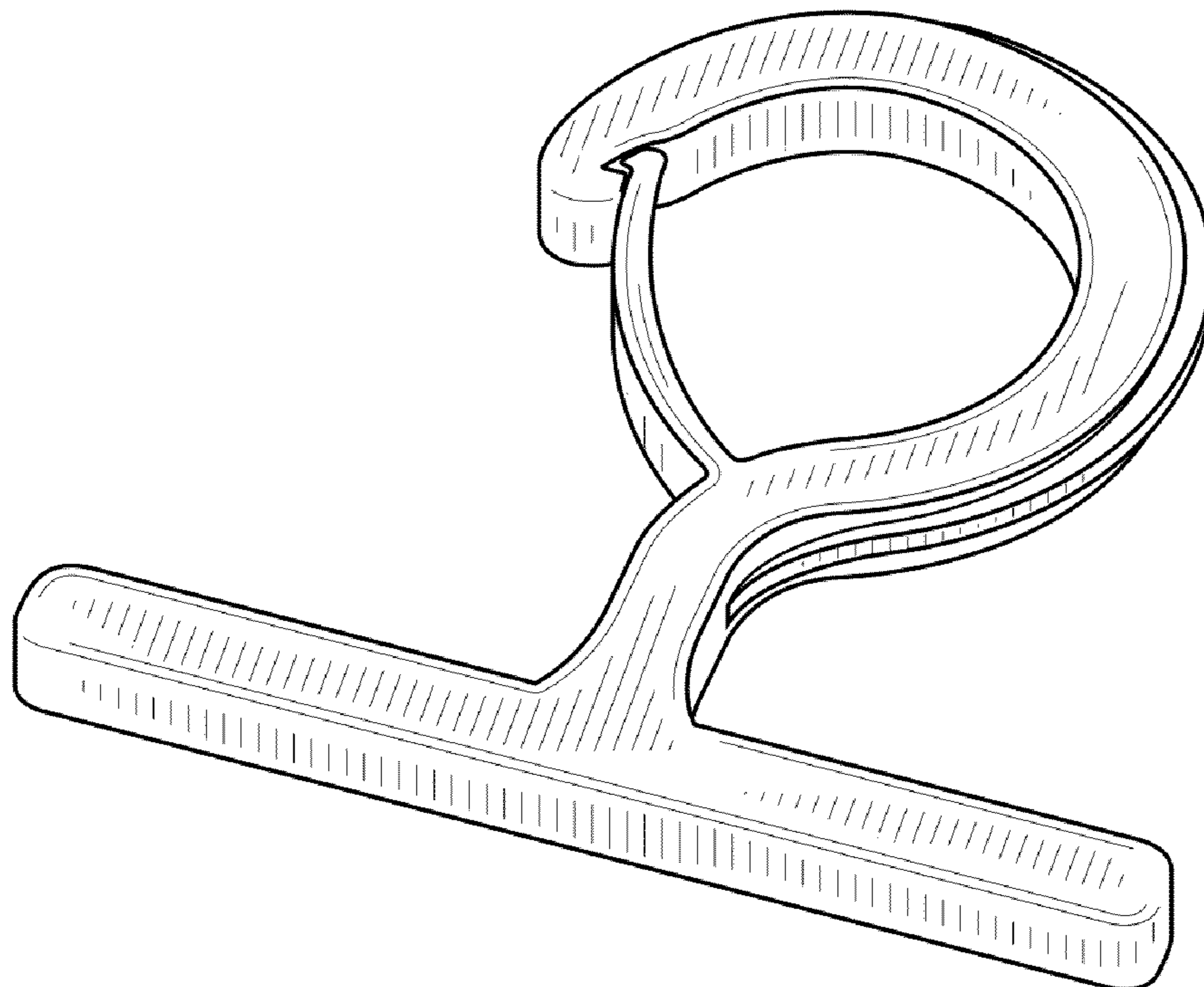
(57) **CLAIM**

The ornamental design for a device designed for carrying and gripping bags, as shown and described.

DESCRIPTION

FIG. 1 is a perspective front view of a device designed for carrying and gripping bags;
FIG. 2 is a front elevation view of the device designed for carrying and gripping bags;
FIG. 3 is a rear elevation view of the device designed for carrying and gripping bags;
FIG. 4 is a left side elevation view of the device designed for carrying and gripping bags;
FIG. 5 is a right side elevation view of the device designed for carrying and gripping bags;
FIG. 6 is a top elevation view of the device designed for carrying and gripping bags; and,
FIG. 7 is a bottom elevation view of the device designed for carrying and gripping bags.

1 Claim, 3 Drawing Sheets



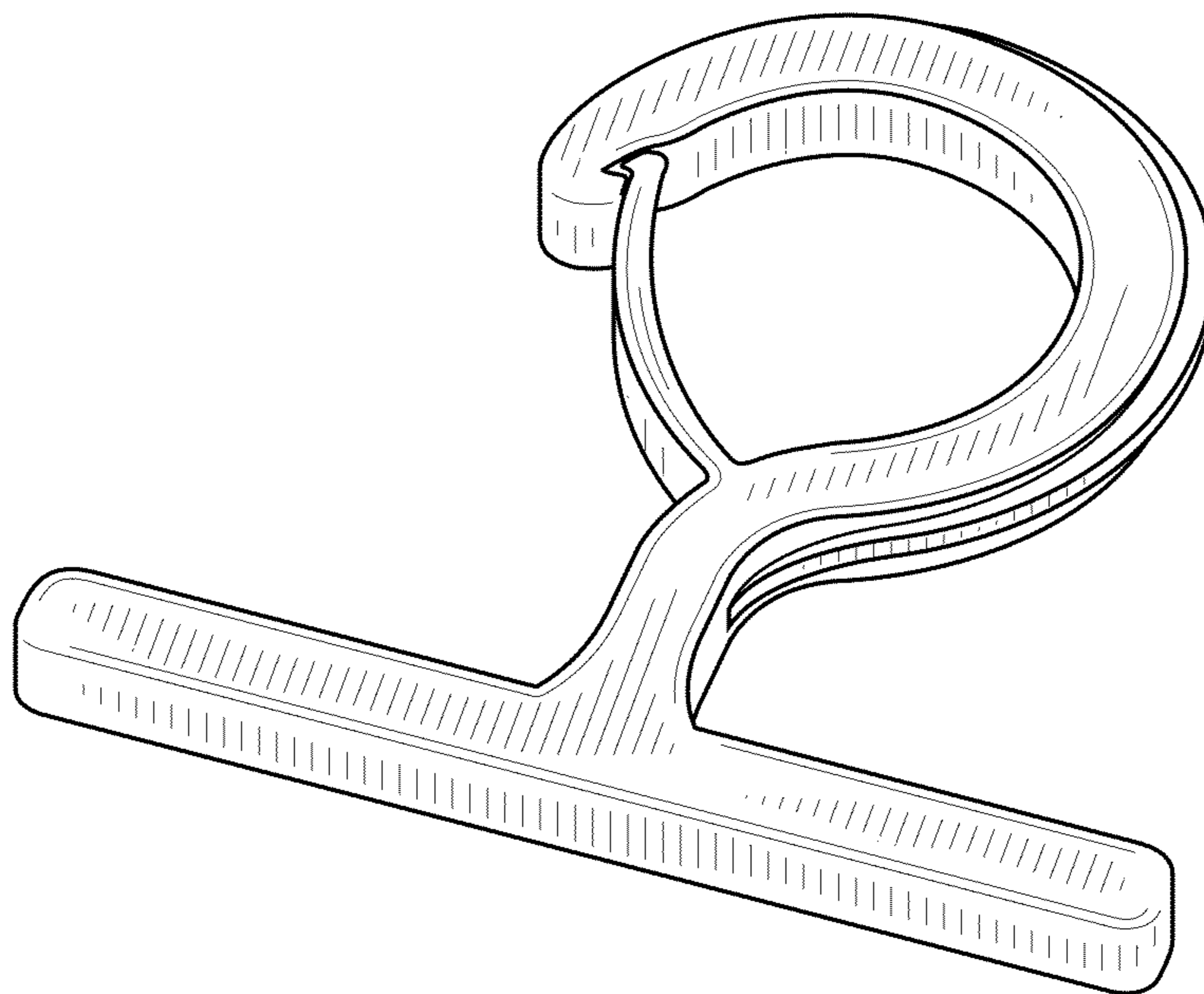


FIG. 1

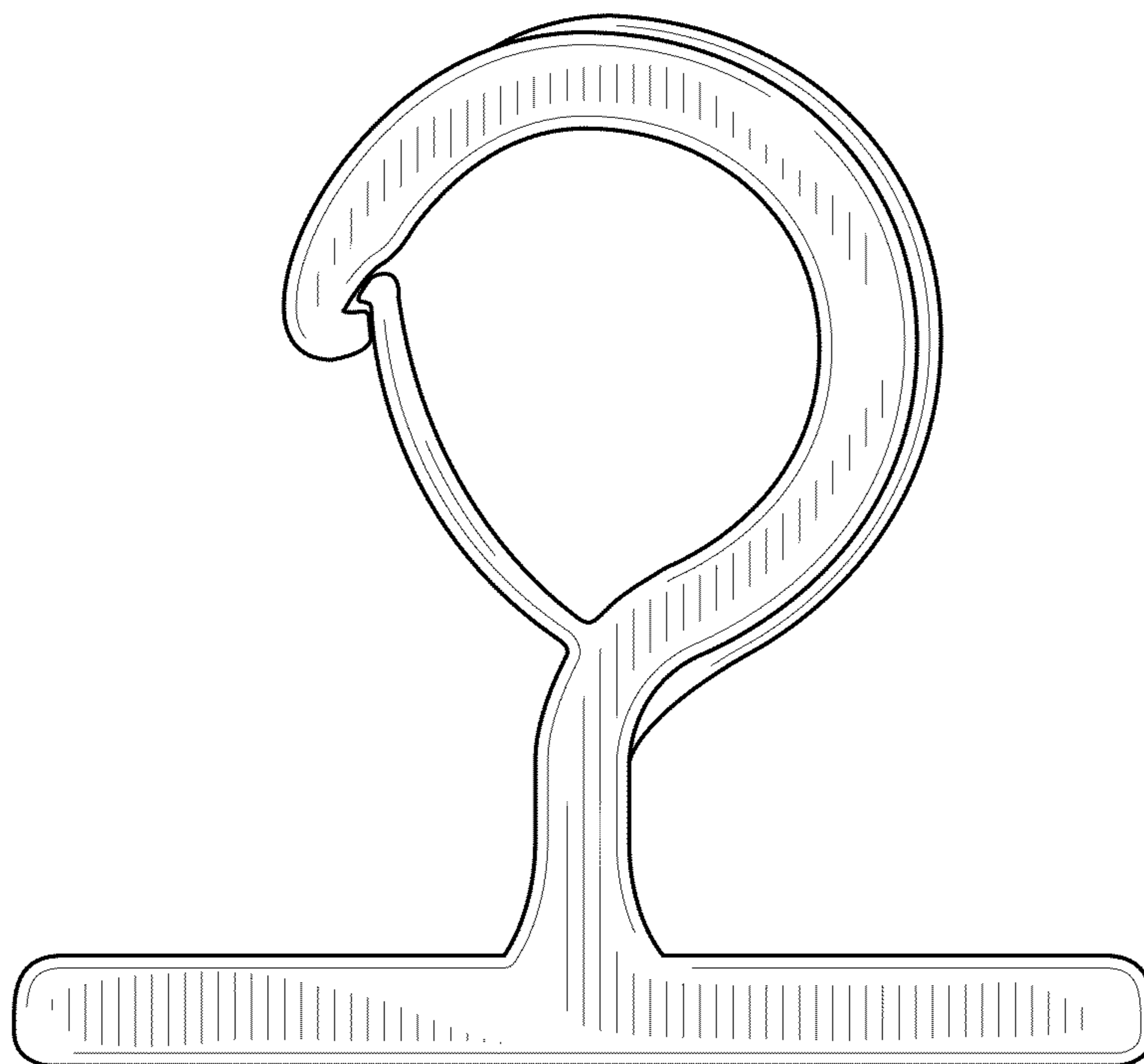


FIG. 2

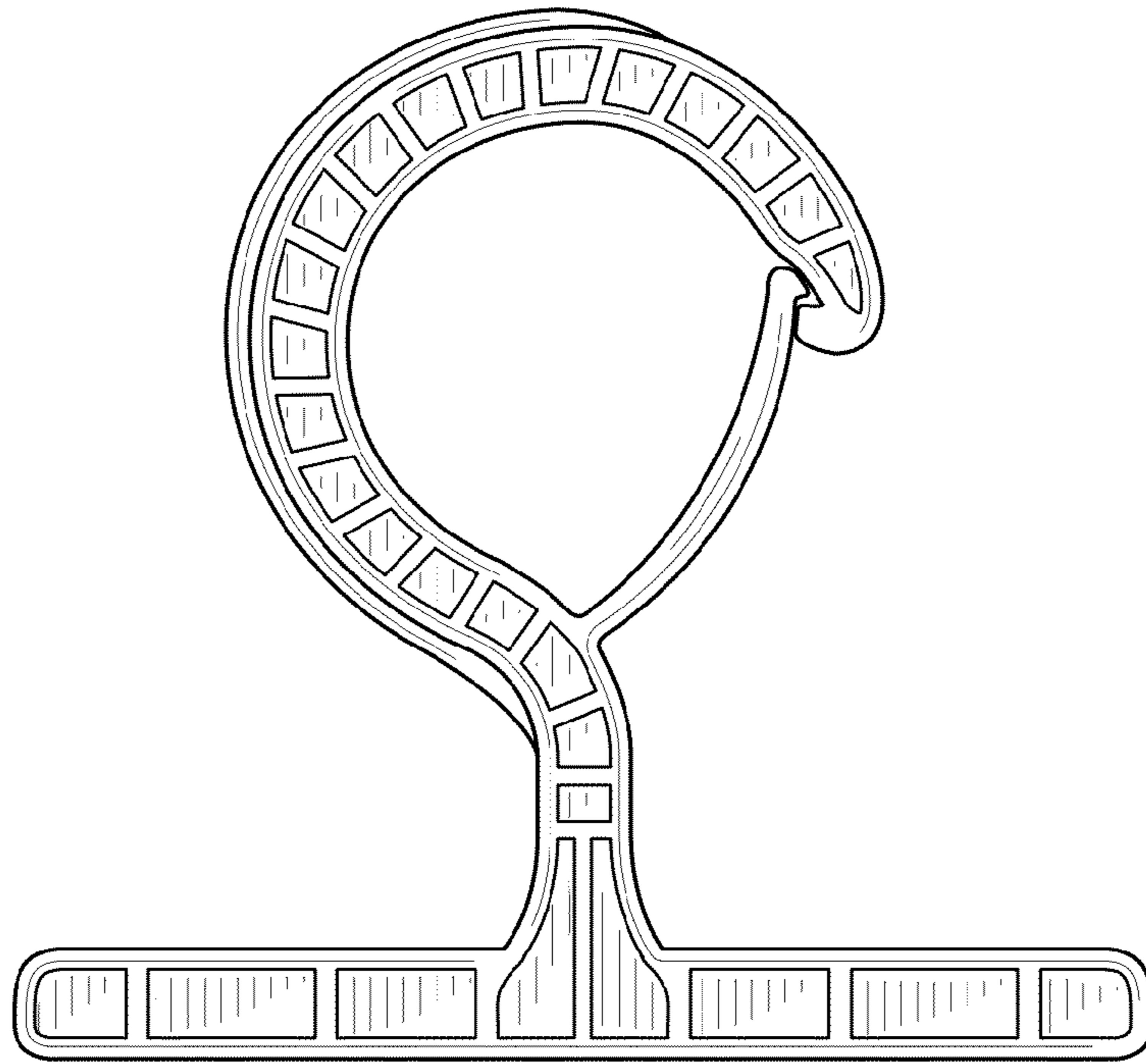


FIG. 3

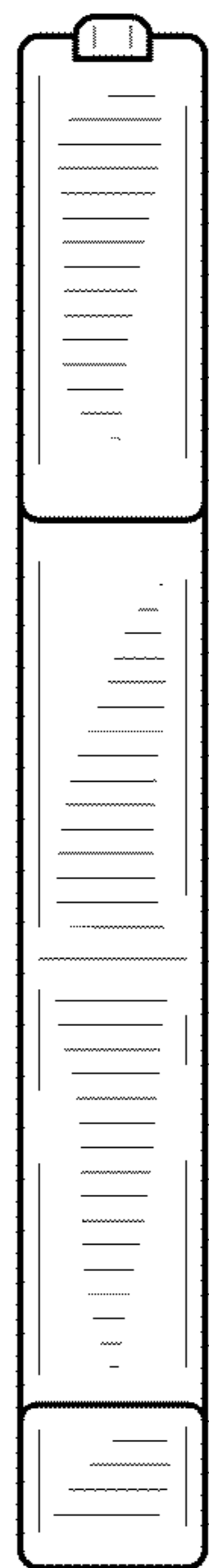


FIG. 4

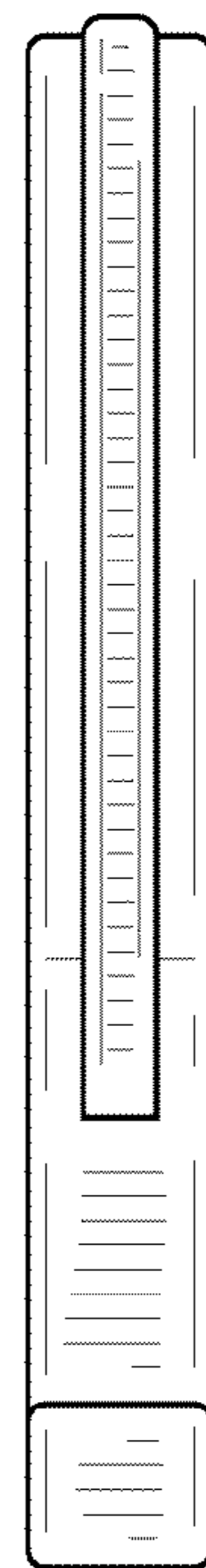


FIG. 5

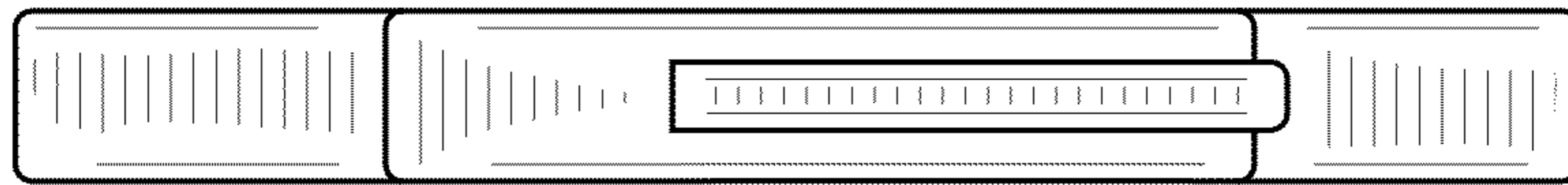


FIG. 6

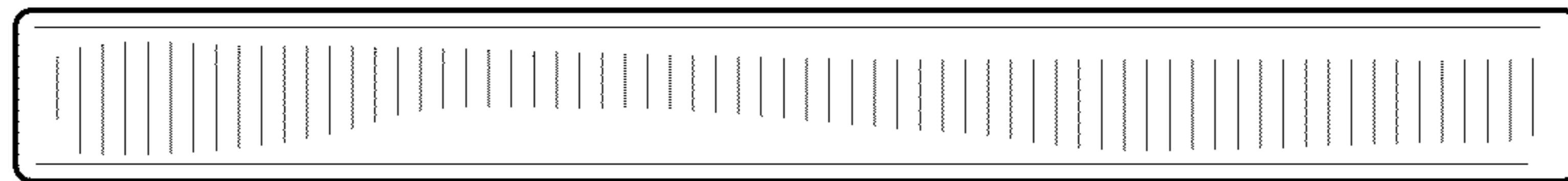


FIG. 7