



US00D713141S

(12) **United States Design Patent**  
**Reeves**

(10) **Patent No.:** **US D713,141 S**  
(45) **Date of Patent:** **\*\* Sep. 16, 2014**

(54) **CHAINSAW SCABBARD**

(71) Applicant: **Safe Tree Products, LLC**, Rehoboth,  
MA (US)

(72) Inventor: **Albert W. Reeves**, Rehoboth, MA (US)

(73) Assignee: **Safe Tree Products, LLC**, Rehoboth,  
MA (US)

(\*\*) Term: **14 Years**

(21) Appl. No.: **29/438,713**

(22) Filed: **Dec. 3, 2012**

(51) **LOC (10) Cl.** ..... **03-01**

(52) **U.S. Cl.**  
USPC ..... **D3/220**

(58) **Field of Classification Search**  
USPC ..... D3/220, 269; 224/232, 576; 30/143,  
30/151, 295, 504, 514; 206/317, 349, 521,  
206/564; D8/71, 95

See application file for complete search history.

(56) **References Cited**

U.S. PATENT DOCUMENTS

|               |         |                    |         |
|---------------|---------|--------------------|---------|
| 4,162,004 A * | 7/1979  | Thomas .....       | 206/349 |
| 4,371,079 A * | 2/1983  | Dembicks .....     | 206/349 |
| 4,621,426 A * | 11/1986 | Shivers .....      | 30/382  |
| 5,119,937 A * | 6/1992  | Reynolds, Jr. .... | 206/349 |

\* cited by examiner

*Primary Examiner* — Catheri Oliver-Garcia

(74) *Attorney, Agent, or Firm* — Barlow, Josephs & Holmes,  
Ltd.

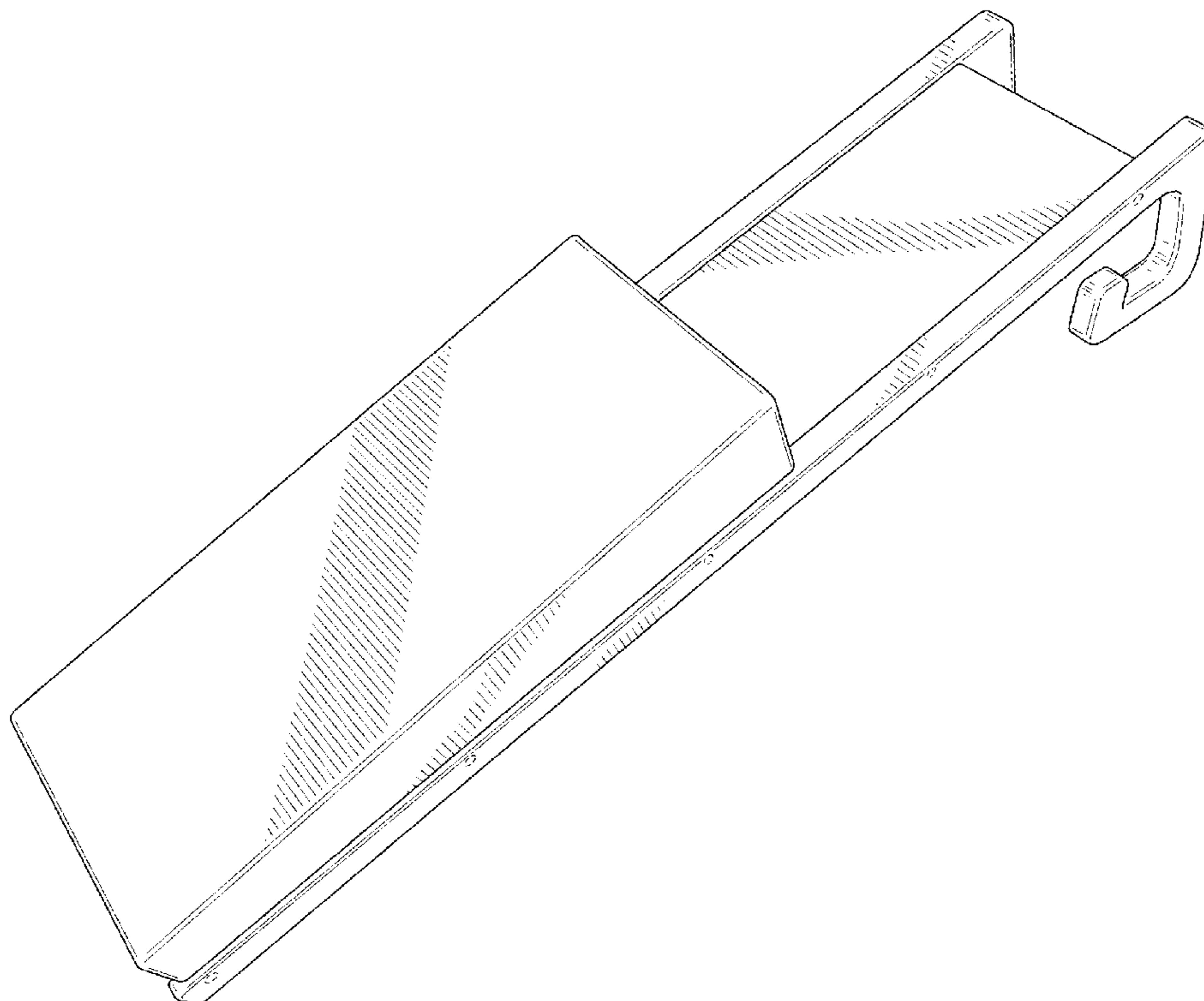
(57) **CLAIM**

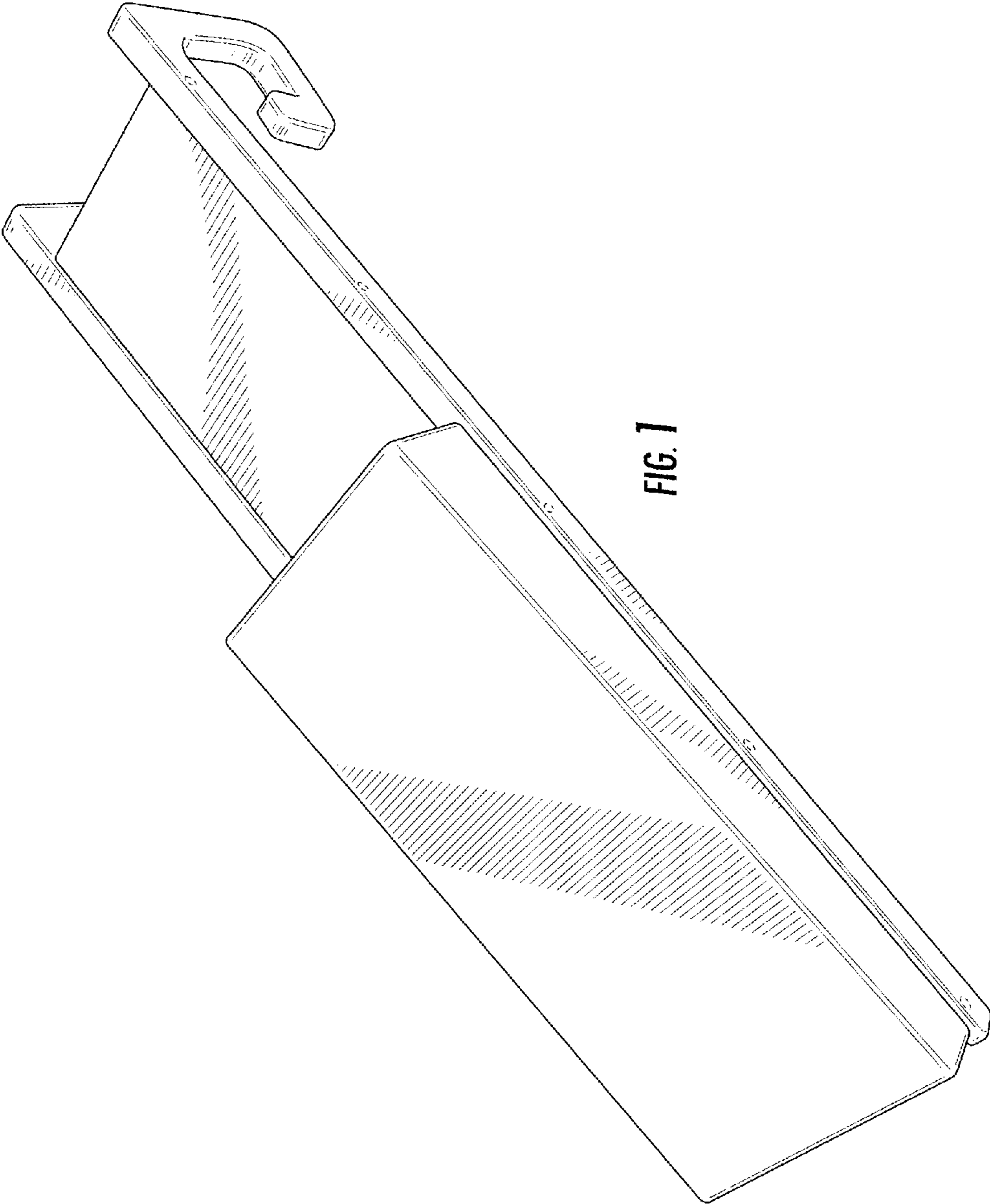
The ornamental design for a chainsaw scabbard, as shown and described.

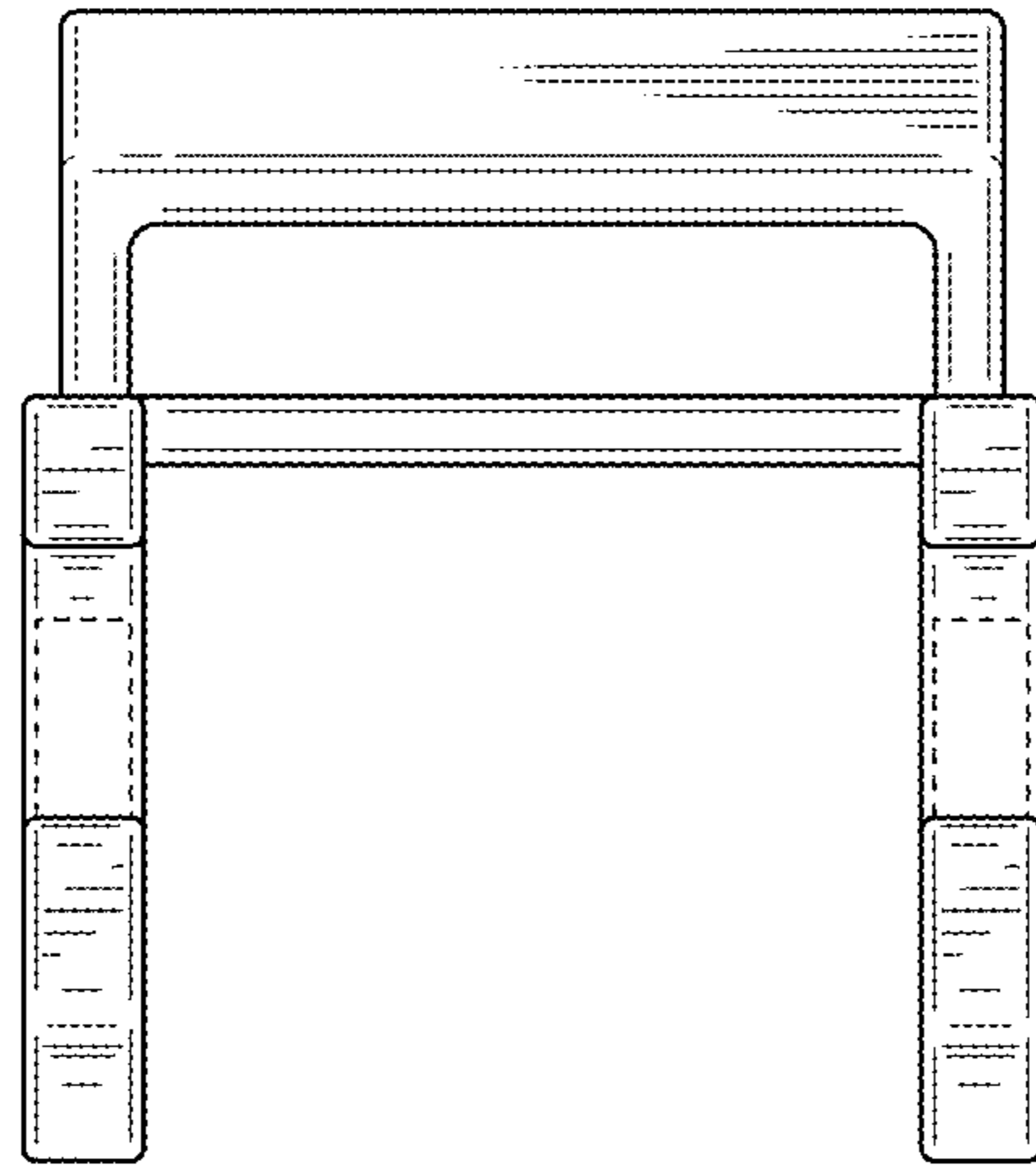
**DESCRIPTION**

FIG. 1 is a bottom, front and right side perspective view of an embodiment of a chainsaw scabbard showing my new design, the fasteners and padded tape shown in broken lines are for illustrative purposes and form no part of the design;  
FIG. 2 is a bottom view thereof;  
FIG. 3 is a top view thereof;  
FIG. 4 is a left side elevation view thereof;  
FIG. 5 is a right side elevation view thereof;  
FIG. 6 is a front elevation view thereof; and,  
FIG. 7 is a rear elevation view thereof.

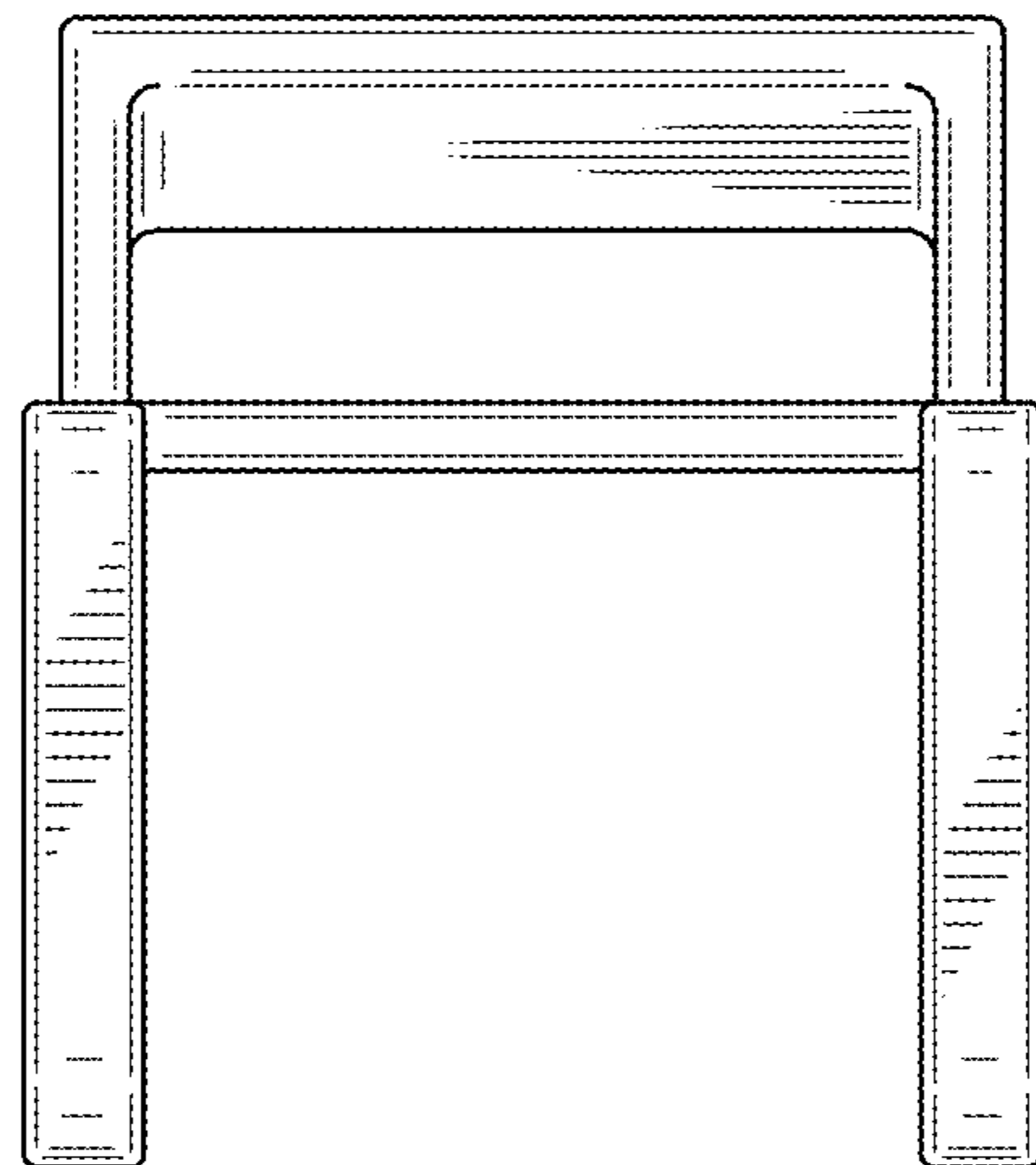
**1 Claim, 6 Drawing Sheets**







**FIG. 2**



**FIG. 3**

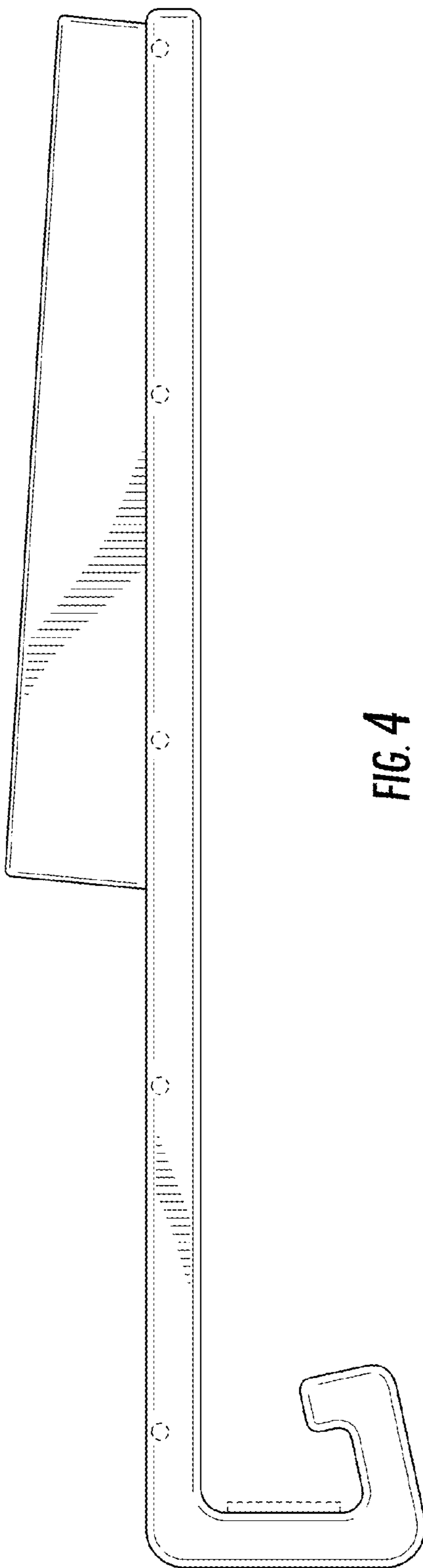


FIG. 4

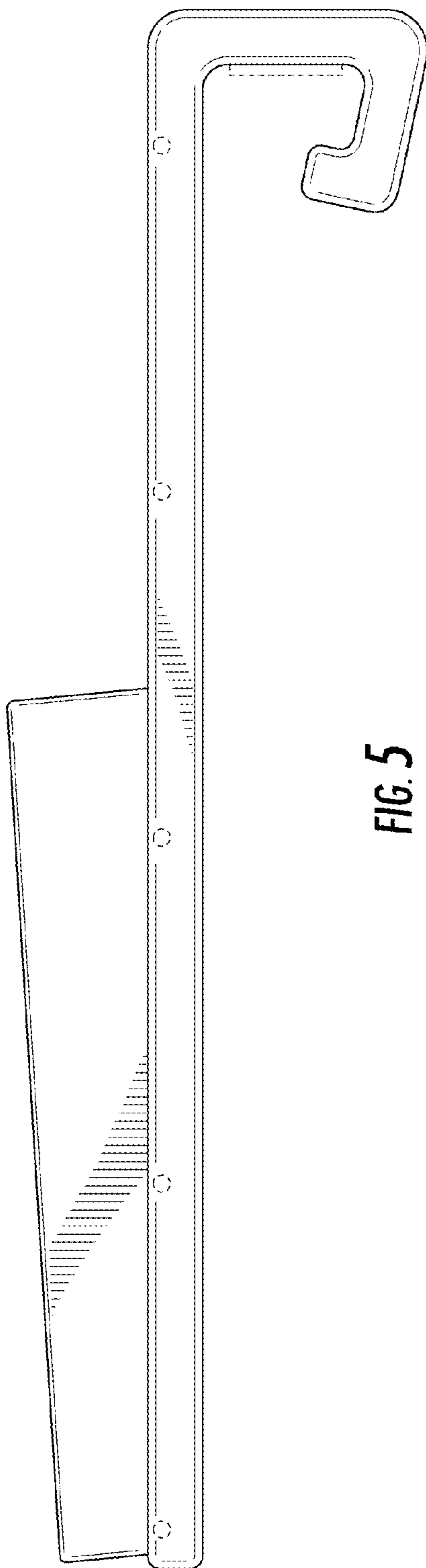


FIG. 5

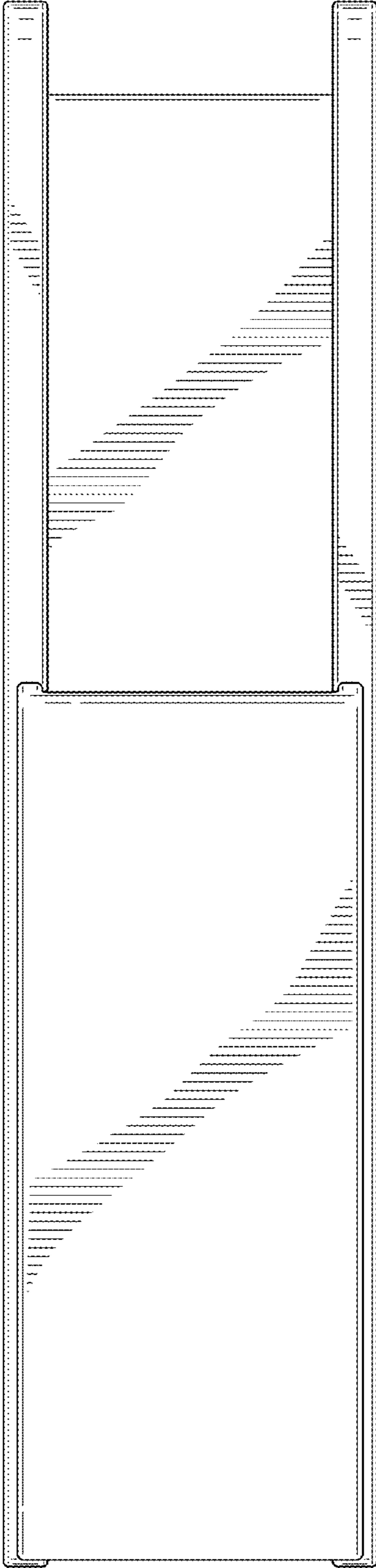


FIG. 6

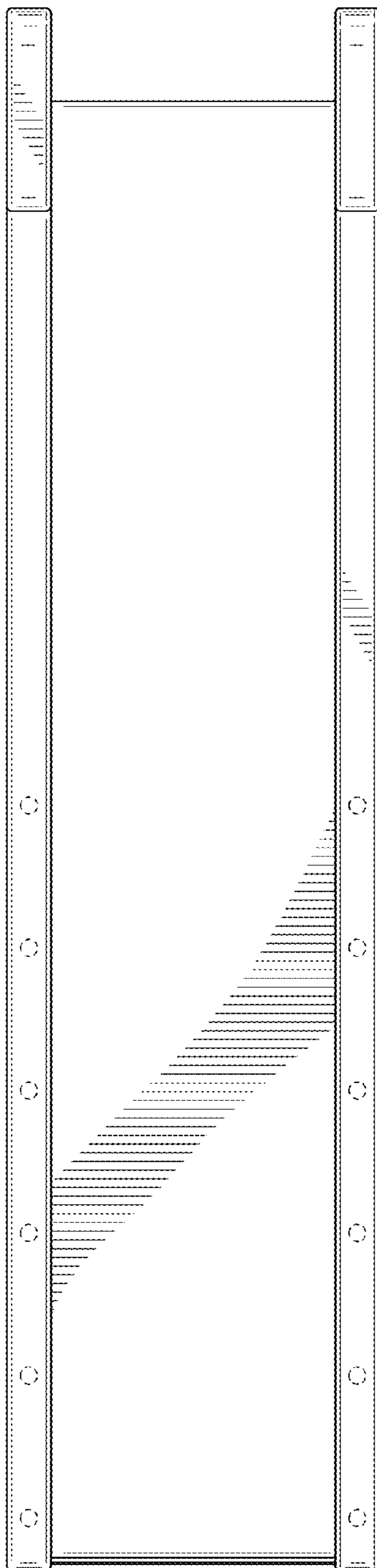


FIG. 7