



US00D713140S

(12) **United States Design Patent**  
**Krupnick**

(10) **Patent No.:** **US D713,140 S**

(45) **Date of Patent:** **\*\* Sep. 16, 2014**

(54) **PHONE CLIP**

(71) Applicant: **Marjie Krupnick**, Rose Valley, PA (US)

(72) Inventor: **Marjie Krupnick**, Rose Valley, PA (US)

(\*\*) Term: **14 Years**

(21) Appl. No.: **29/466,892**

(22) Filed: **Sep. 12, 2013**

(51) **LOC (10) Cl.** ..... **03-01**

(52) **U.S. Cl.**  
USPC ..... **D3/218**

(58) **Field of Classification Search**  
USPC ..... D3/218, 215, 219, 221, 226, 228;  
294/25; 455/575.4, 575.6, 90.3, 733;  
224/217; 379/433.07

See application file for complete search history.

(56) **References Cited**

**U.S. PATENT DOCUMENTS**

D551,847 S *	10/2007	Yeap et al.	.....	D3/218
D593,319 S *	6/2009	Richardson et al.	.....	D3/218
8,374,657 B2	2/2013	Interdonato		
D685,990 S *	7/2013	Zhang	.....	D3/218
D691,373 S *	10/2013	Irvine	.....	D3/218
2006/0279098 A1	12/2006	Shiple et al.		

2009/0270050 A1	10/2009	Brown
2010/0222118 A1	9/2010	Interdanato
2012/0319414 A1	12/2012	Potter et al.
2013/0005412 A1	1/2013	McCurdy

**FOREIGN PATENT DOCUMENTS**

FR	2812993	2/2002
GB	2418096	3/2006

\* cited by examiner

*Primary Examiner* — Catheri Oliver-Garcia

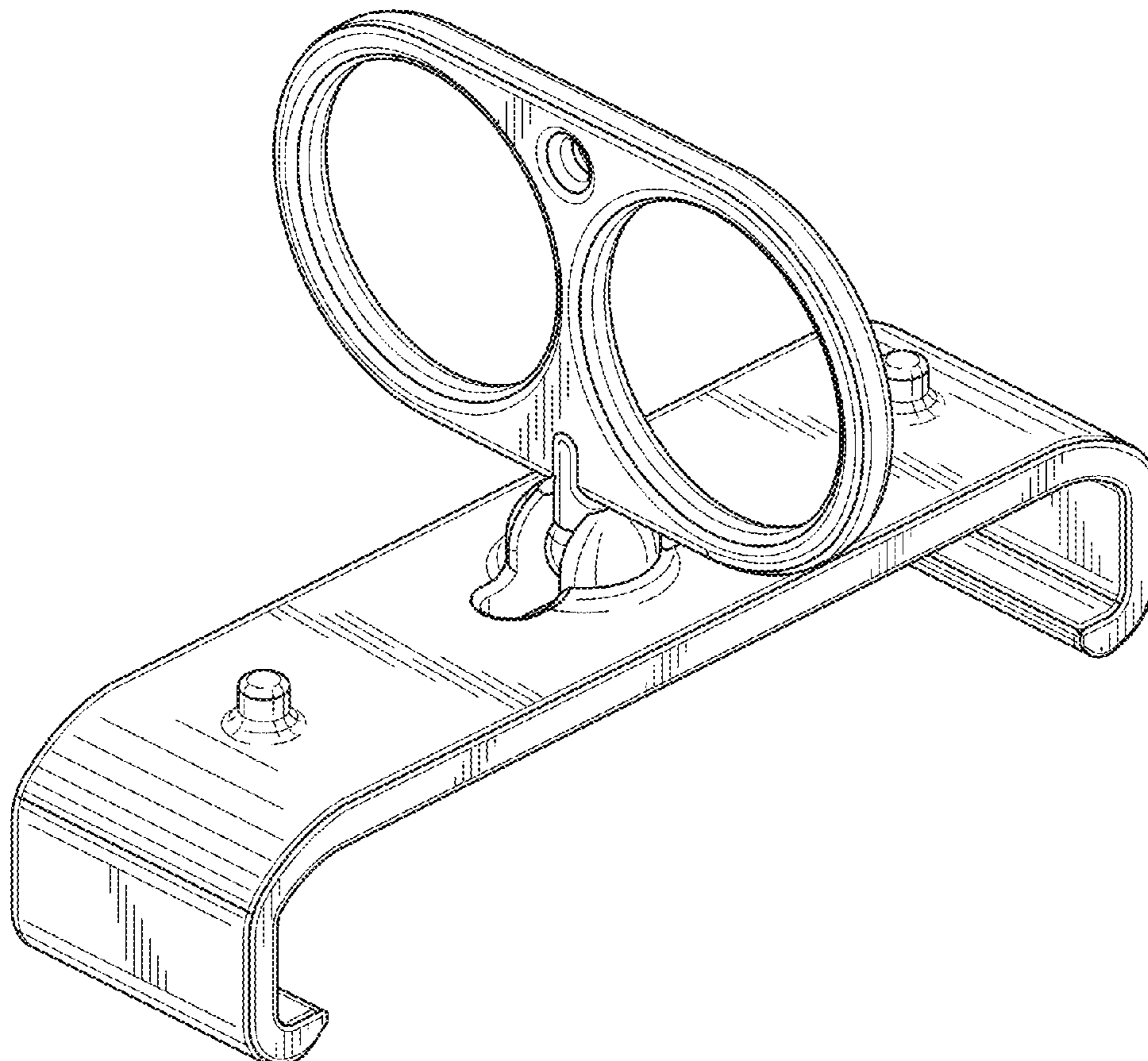
(57) **CLAIM**

The ornamental design for a phone clip, as shown and described.

**DESCRIPTION**

FIG. 1 is a perspective front view of a phone clip; FIG. 2 is a front elevation view of the phone clip; the rear elevation view being a mirror image thereof; FIG. 3 is a left side elevation view of the phone clip; the right side view being a mirror image thereof; FIG. 4 is a top plan view of the phone clip; FIG. 5 is a bottom plan view of the phone clip; and, FIG. 6 is a perspective front view showing the phone clip in an alternate orientation.

**1 Claim, 3 Drawing Sheets**



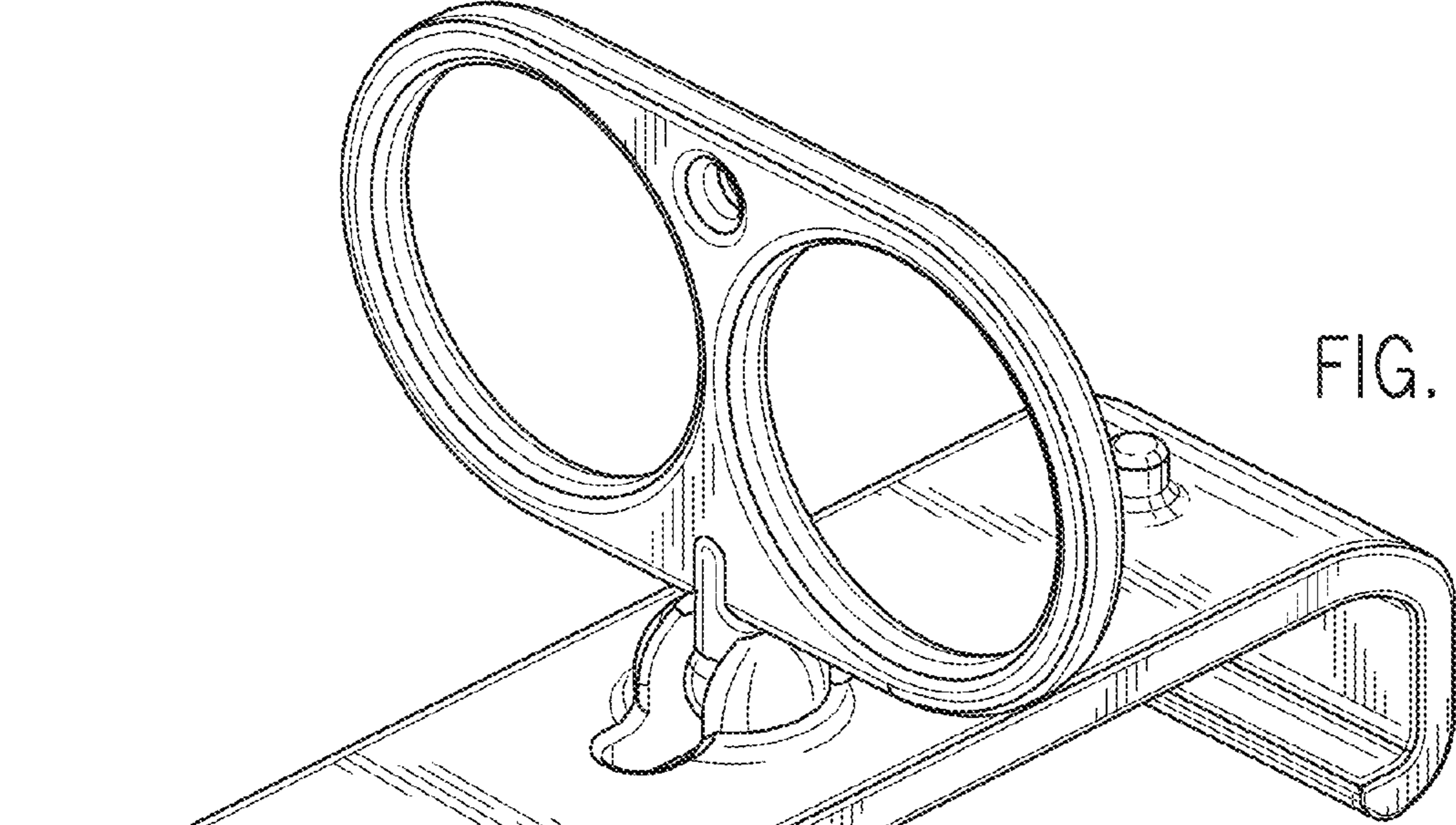


FIG. 1

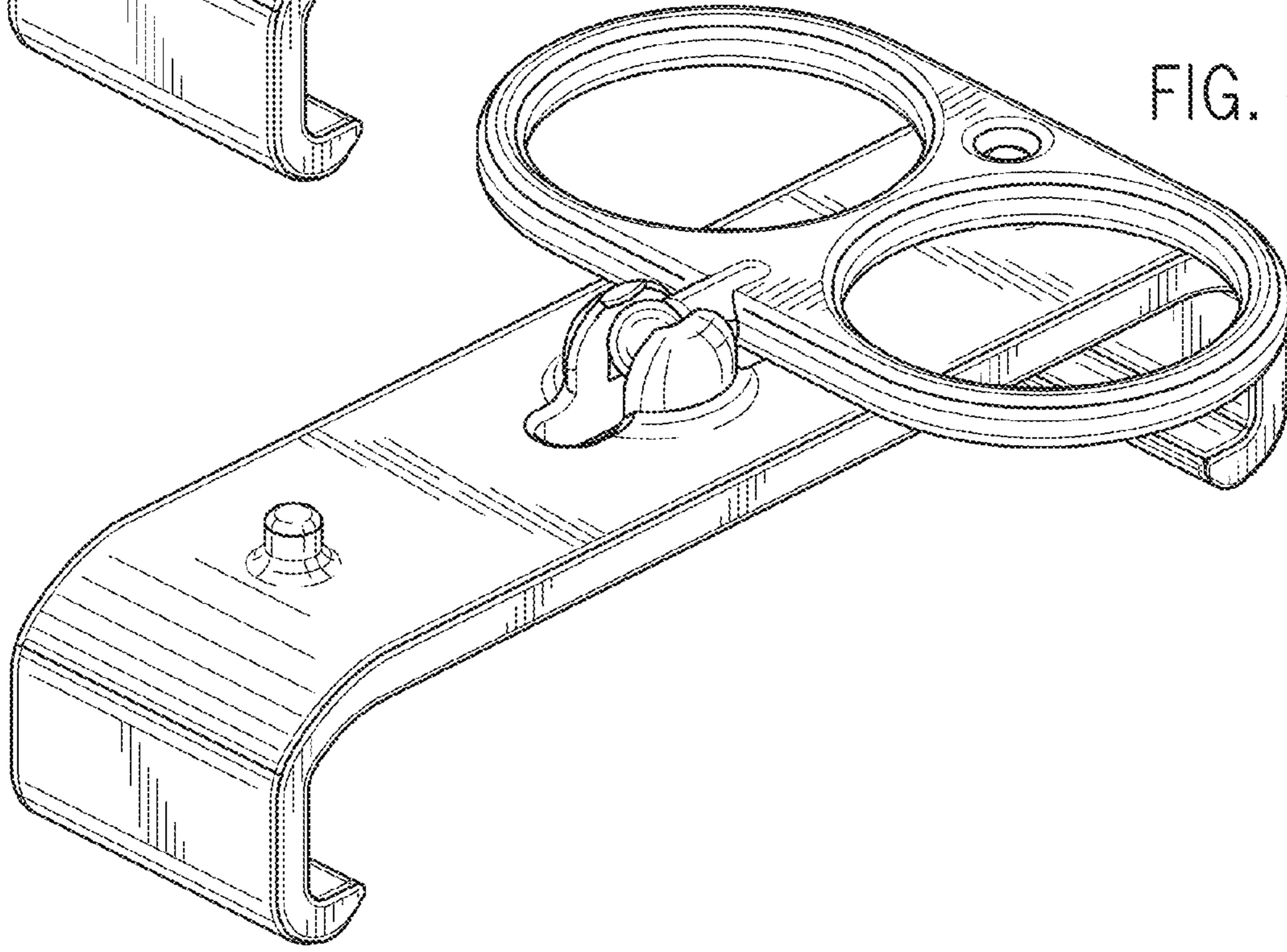


FIG. 6

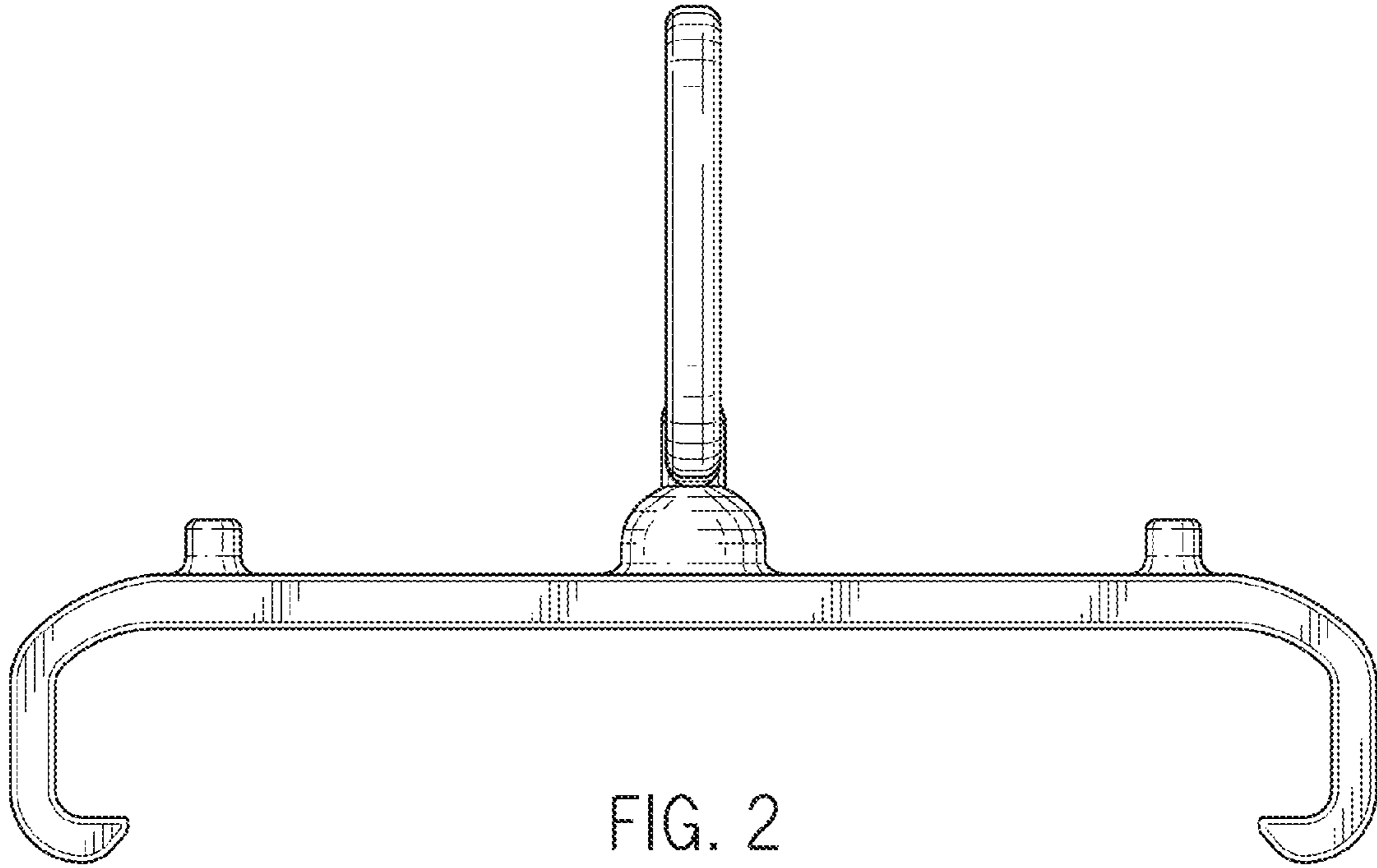


FIG. 2

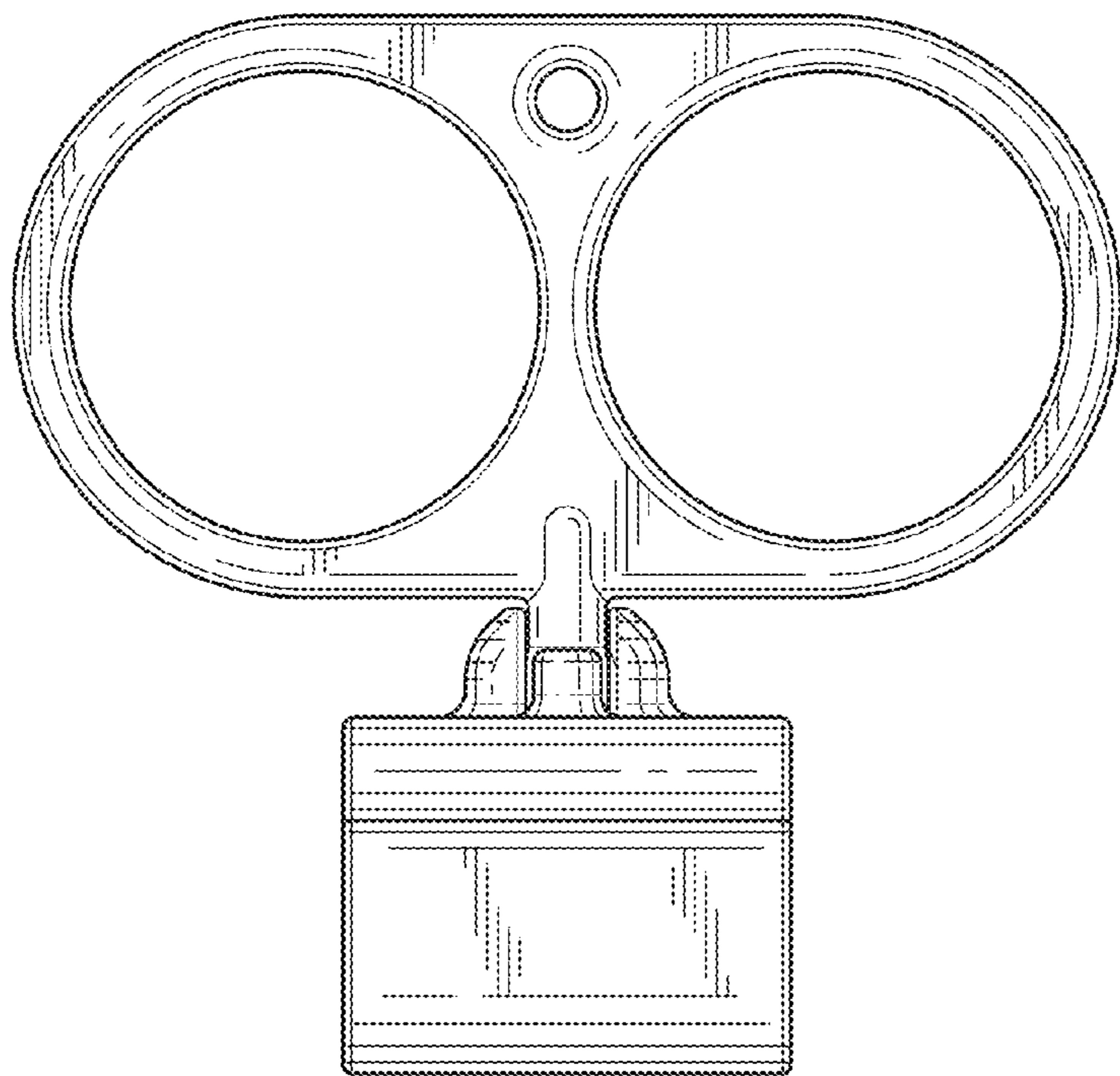


FIG. 3

