



US00D713138S

(12) **United States Design Patent**
Saunders et al.

(10) **Patent No.:** **US D713,138 S**
(45) **Date of Patent:** **** Sep. 16, 2014**

- (54) **CHEST PACK**
- (71) Applicant: **White Raven Innovations Limited,**
Ladysmith (CA)
- (72) Inventors: **Brian Saunders,** Ladysmith (CA);
Margaret Lorraine Badesso, Port
Alberni (CA)
- (73) Assignee: **White Raven Innovations Limited,**
Ladysmith, BC (CA)

6,189,750	B1 *	2/2001	Von Neumann	224/153
6,216,932	B1 *	4/2001	Wu	224/583
6,336,576	B1 *	1/2002	Easter	224/153
6,402,003	B1 *	6/2002	Jackson	224/646
D499,882	S *	12/2004	Baclawski	D3/216
6,932,256	B2 *	8/2005	Hale et al.	224/637
D510,793	S *	10/2005	Peterson	D2/829
D554,364	S *	11/2007	Rugg	D3/217
7,594,569	B2 *	9/2009	Bass et al.	190/108
2006/0011690	A1 *	1/2006	Bareno	224/638
2007/0090143	A1 *	4/2007	Clayton et al.	224/637
2012/0024924	A1 *	2/2012	Hexels	224/576

* cited by examiner

(**) Term: **14 Years**

(21) Appl. No.: **29/465,728**

(22) Filed: **Aug. 30, 2013**

(51) **LOC (10) Cl.** **03-01**

(52) **U.S. Cl.**
USPC **D3/216**

(58) **Field of Classification Search**
USPC D3/201, 213, 214, 215, 216, 217, 218,
D3/231, 232, 267, 273, 289, 290; 2/94;
D2/829; 190/108; 224/153, 155, 575,
224/578, 579, 581, 582, 583, 586, 601, 613,
224/617, 627, 637, 638, 644, 645, 646, 647,
224/650, 653, 657; 5/413 R

See application file for complete search history.

(56) **References Cited**

U.S. PATENT DOCUMENTS

2,620,479	A *	12/1952	Buck	2/94
D316,472	S *	4/1991	Flanagan	D2/829
5,586,703	A *	12/1996	Radar et al.	224/601
5,603,441	A *	2/1997	Easter	224/582
5,799,851	A *	9/1998	Wulf et al.	224/583
5,950,896	A *	9/1999	Theodore	224/647
5,988,474	A *	11/1999	Smith et al.	224/578

Primary Examiner — Martie K Holtje

(74) *Attorney, Agent, or Firm* — Edward J. Baba; Daniel G. Stoddard; Bozicevic, Field & Francis LLP

(57) **CLAIM**

The ornamental design for a chest pack, as shown and described.

DESCRIPTION

FIG. 1 is a front view of a chest pack according to my new design;

FIG. 2 is a rear view of the chest pack of FIG. 1;

FIG. 3 is a right side view of the chest pack of FIG. 1;

FIG. 4 is a left side view of the chest pack of FIG. 1;

FIG. 5 is a top plan view of the chest pack of FIG. 1;

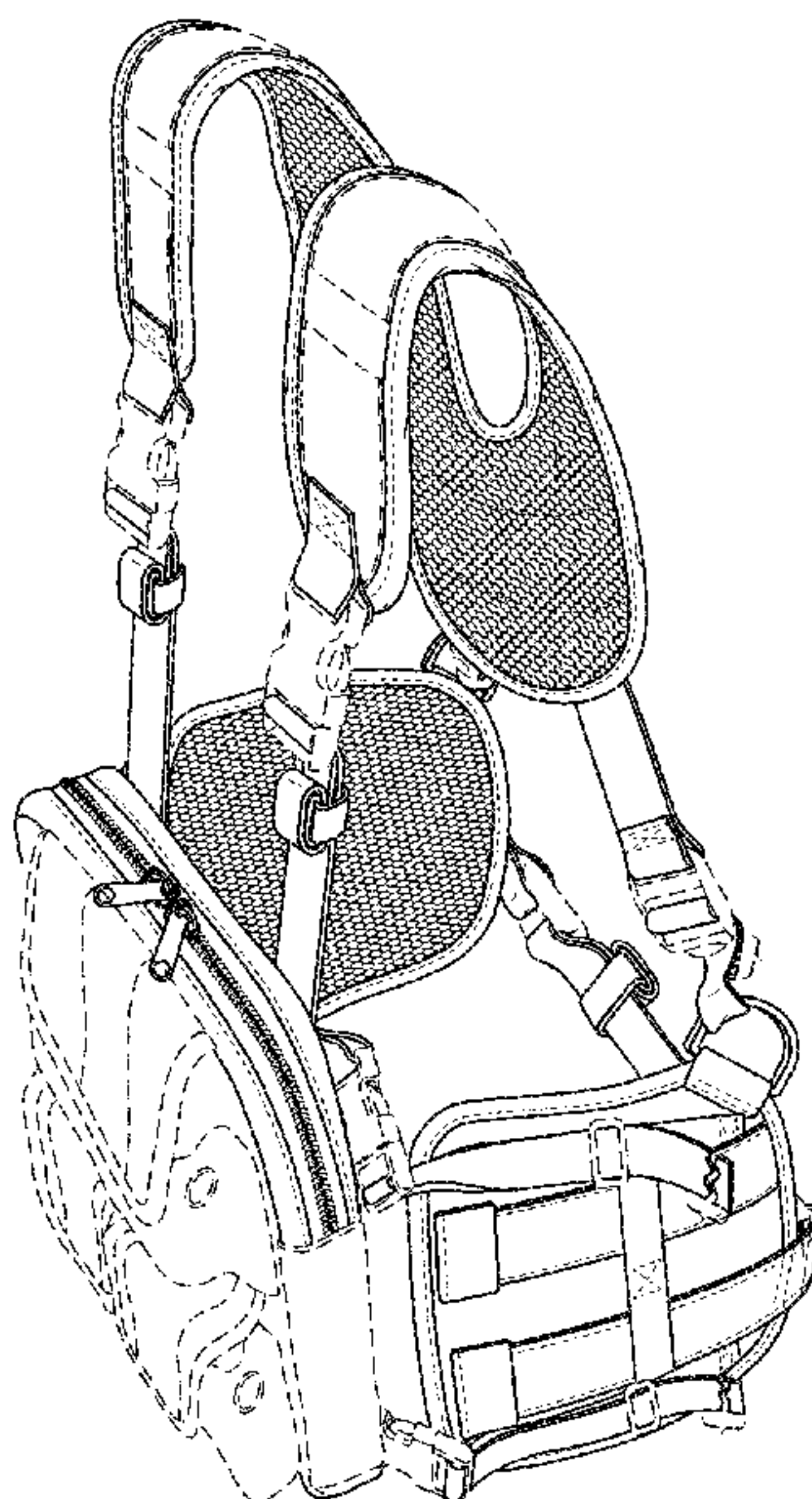
FIG. 6 is a bottom view of the chest pack of FIG. 1; and,

FIG. 7 is a perspective view of the chest pack of FIG. 1.

The structural elements depicted by broken lines in the drawings have been shown for the purpose of illustrating portions of the chest pack that form no part of the claimed design.

The broken away symbols in the drawings indicate that the appearance of any portion of the article between the break lines forms no part of the claimed design.

1 Claim, 7 Drawing Sheets



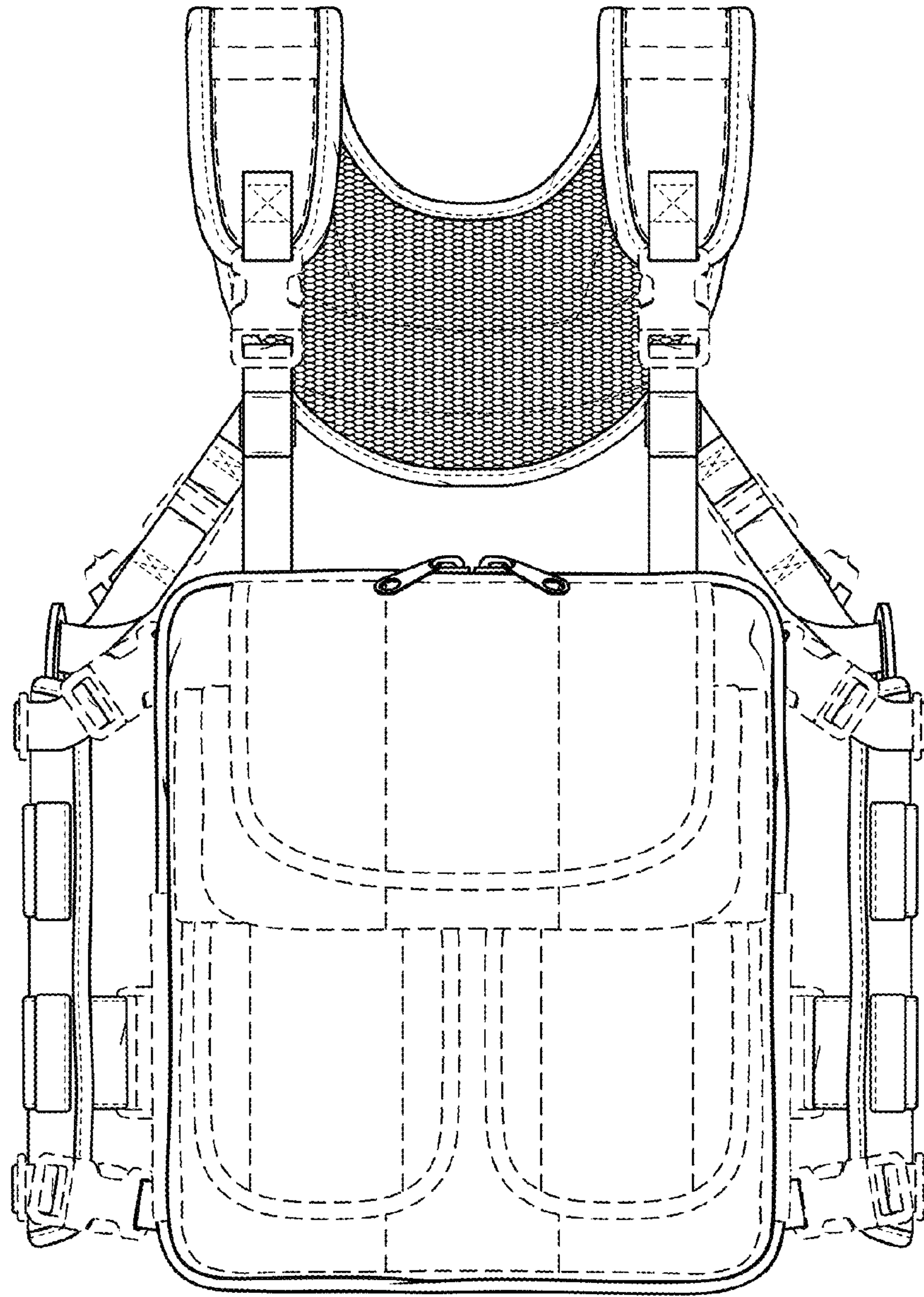


FIG. 1

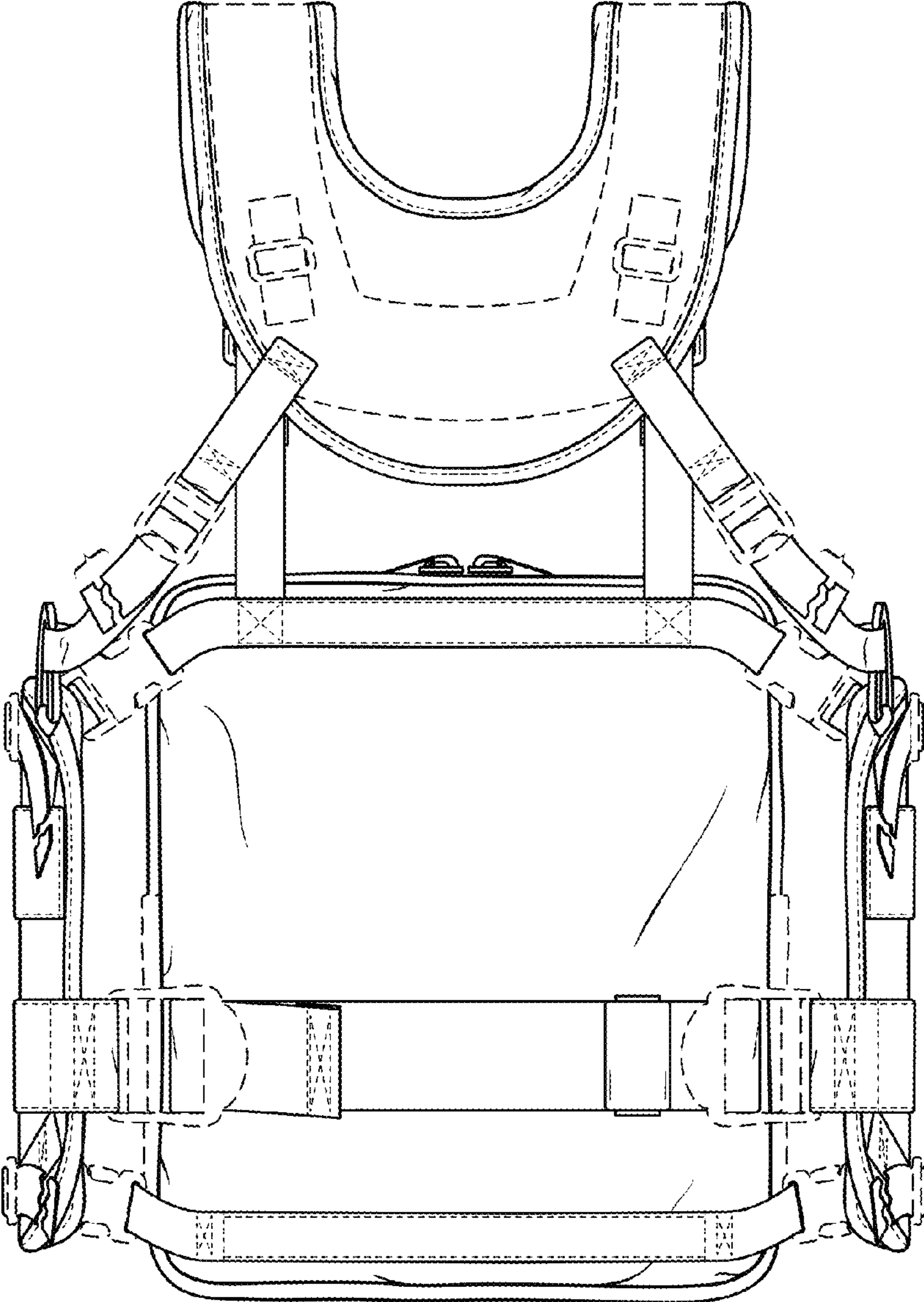


FIG. 2

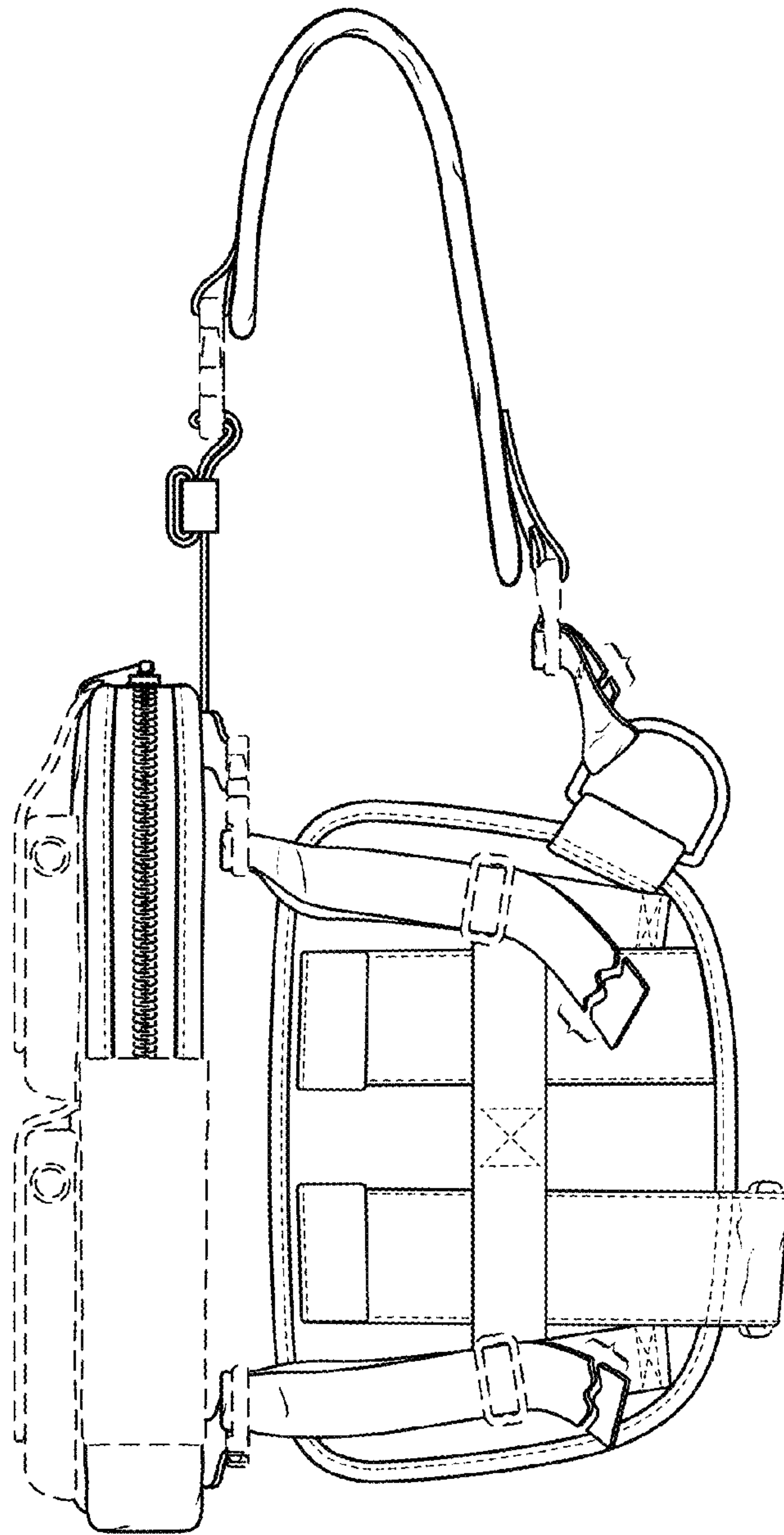


FIG. 3

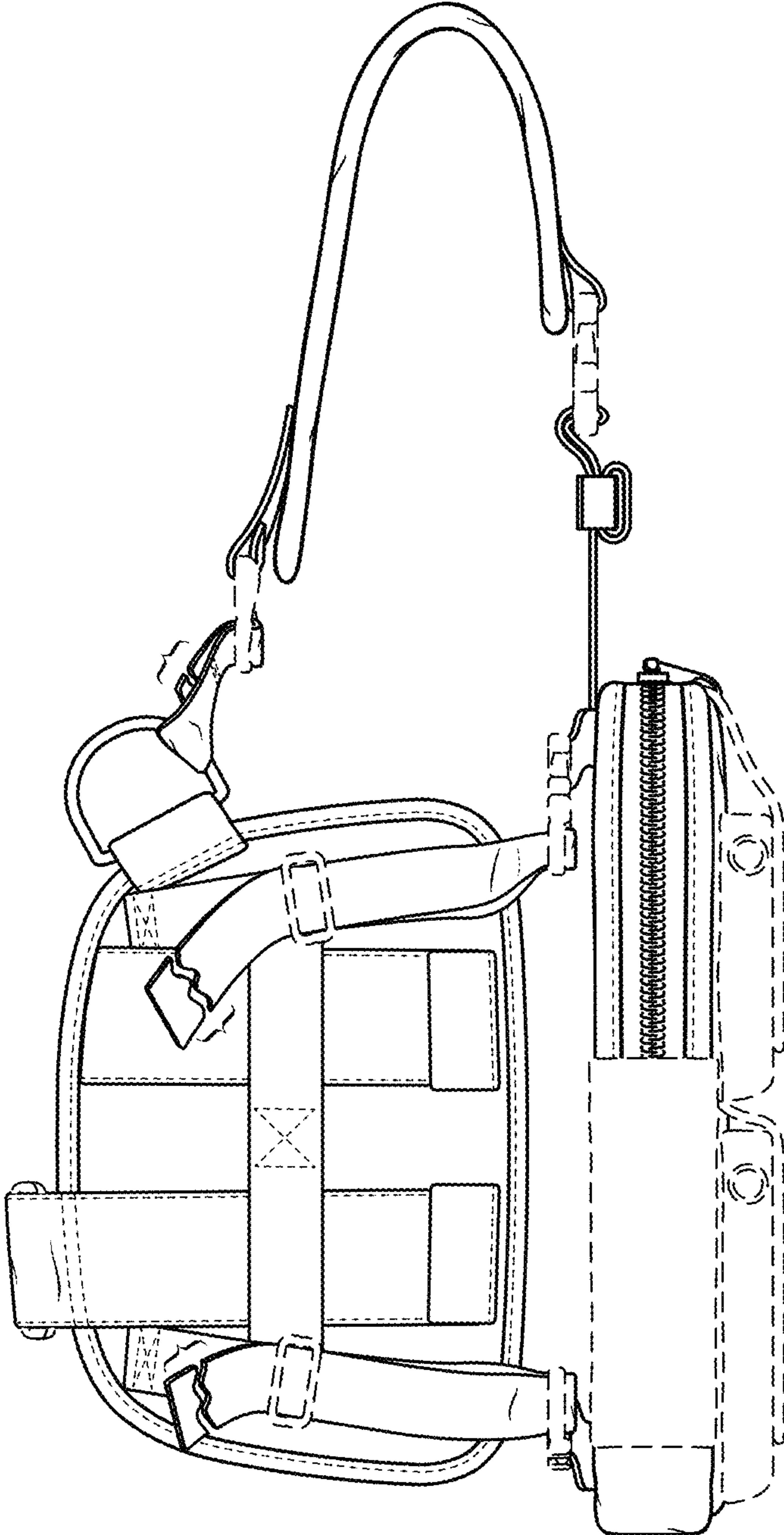


FIG. 4

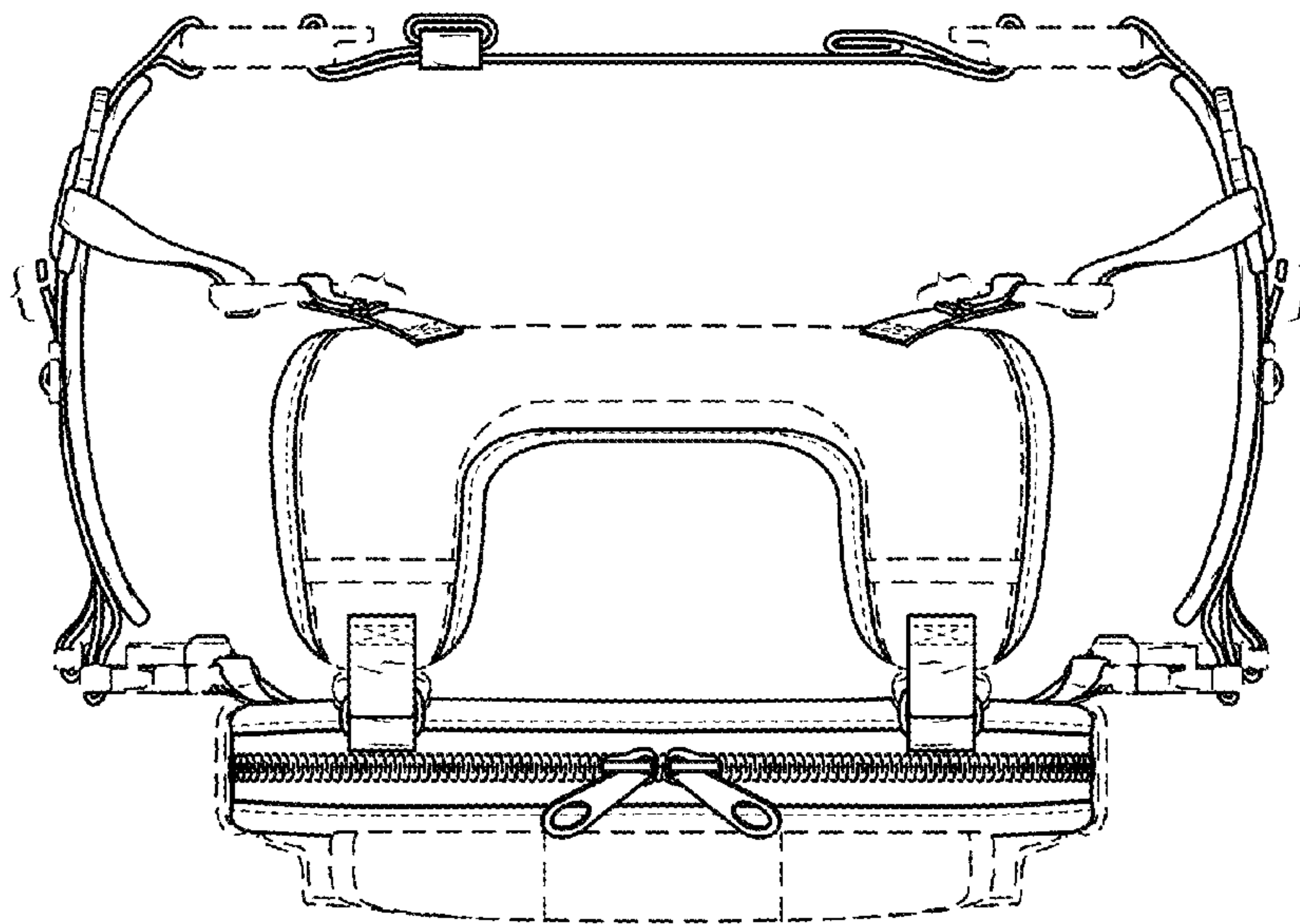


FIG. 5

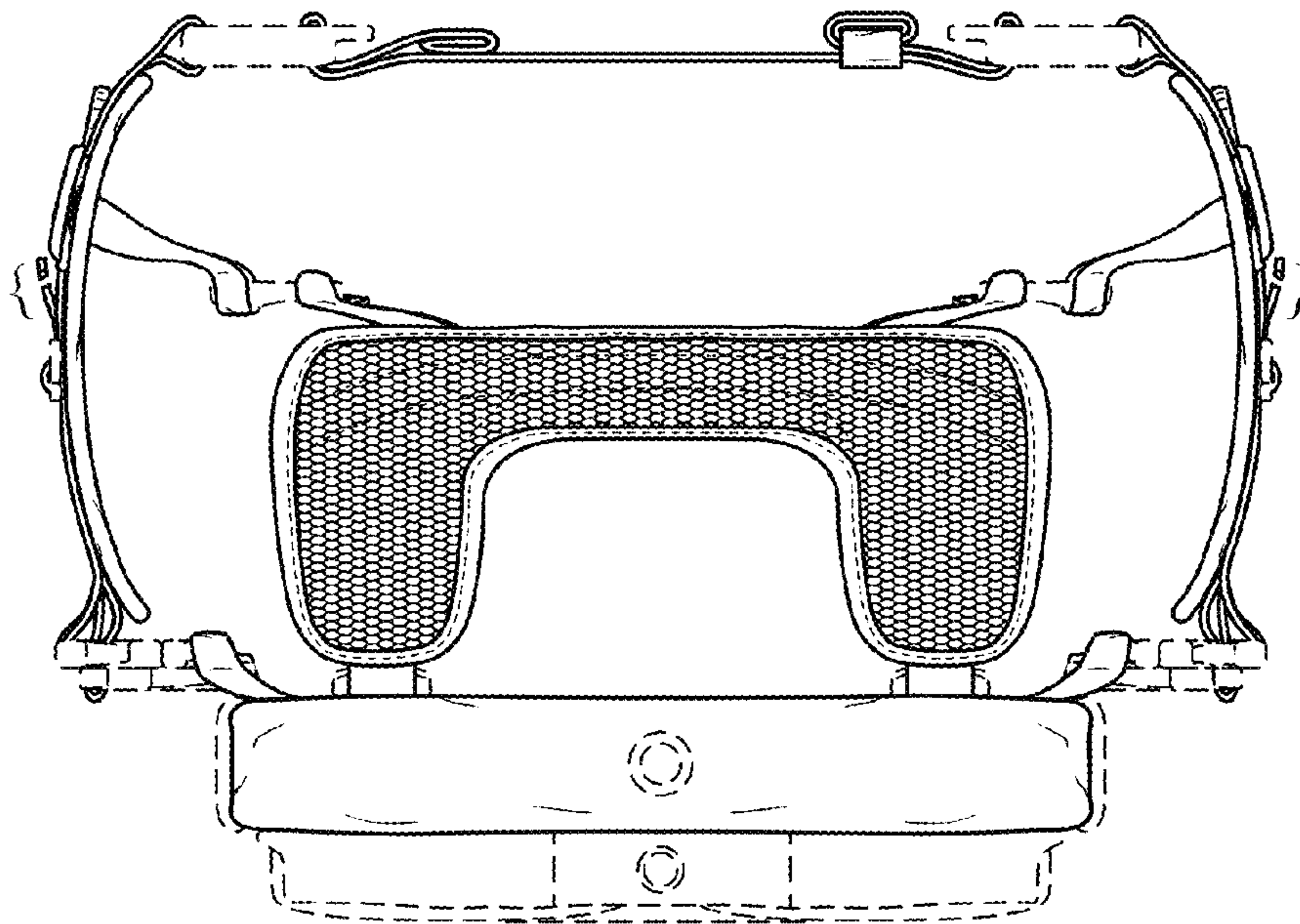


FIG. 6

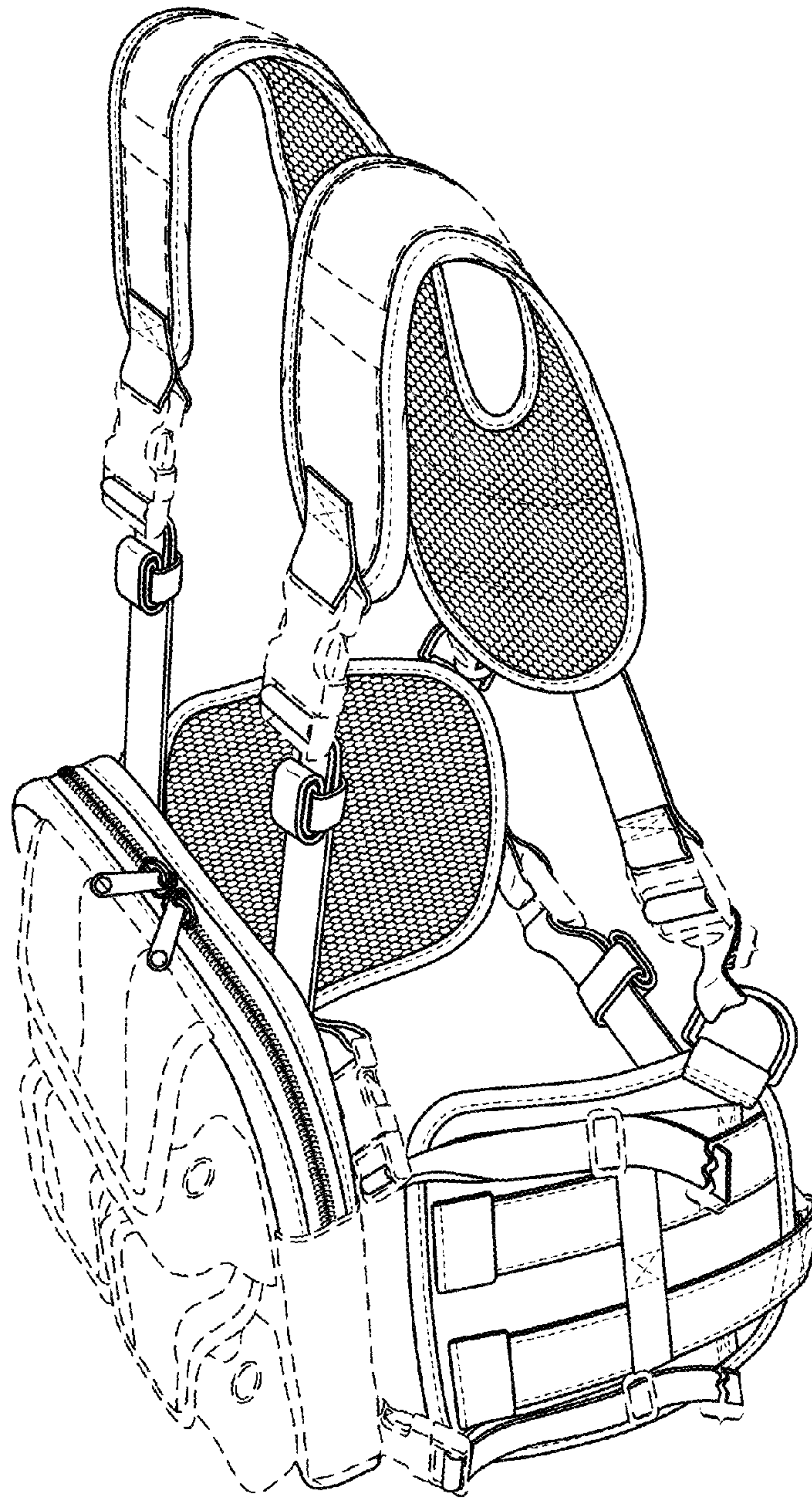


FIG. 7