

US00D713134S

(12) **United States Design Patent**
Hardigan et al.

(10) **Patent No.:** **US D713,134 S**
(45) **Date of Patent:** **** Sep. 16, 2014**

(54) **SHOE SOLE**

(75) Inventors: **Henry Hardigan**, Pawtucket, RI (US);
Matthew Montross, Middleboro, MA
(US); **Michael Andrews**, East Falmouth,
MA (US)

(73) Assignee: **Reebok International Limited**, London
(GB)

(**) Term: **14 Years**

(21) Appl. No.: **29/411,762**

(22) Filed: **Jan. 25, 2012**

(51) **LOC (10) Cl.** **02-04**

(52) **U.S. Cl.**
USPC **D2/953**; D2/951; D2/957; D2/960

(58) **Field of Classification Search**
USPC D2/902, 906, 908, 916, 918, 925,
D2/946-962, 977; 36/3 B, 22 R, 24.5, 25 R,
36/28, 32 R, 34 R, 59 C, 67 A, 103
See application file for complete search history.

(56) **References Cited**

U.S. PATENT DOCUMENTS

485,459 A	11/1892	Crocker
1,594,056 A	7/1926	Floyd
1,607,375 A	11/1926	Whipple
D108,320 S	2/1938	Eldon
D133,176 S	7/1942	Gregg
D136,381 S	9/1943	Ghez et al.
D149,139 S	3/1948	Parker
D157,034 S	1/1950	Eldon
2,627,676 A	2/1953	Hack
D173,030 S	9/1954	Hoza
2,710,461 A	6/1955	Hack
2,722,756 A	11/1955	Ecclesine
3,444,632 A	5/1969	Hack et al.
D233,805 S	12/1974	Kubo
4,071,963 A	2/1978	Fukuoka

4,130,947 A	12/1978	Oenu
4,170,078 A	10/1979	Moss
D274,574 S	7/1984	Stubblefield
4,561,195 A	12/1985	Onoda et al.
4,642,917 A	2/1987	Ungar
D296,149 S	6/1988	Diaz
4,798,010 A	1/1989	Sugiyama

(Continued)

FOREIGN PATENT DOCUMENTS

EP	1064861 A1	1/2001
EP	2277402	1/2011

(Continued)

OTHER PUBLICATIONS

Adidas Q2 2007 Footwear Catalog, p. 5, showing the T 7 ATS shoe,
and p. 122, showing the J S3 W shoe.

(Continued)

Primary Examiner — T. Chase Nelson
(74) *Attorney, Agent, or Firm* — Sterne, Kessler, Goldstein
& Fox P.L.L.C.

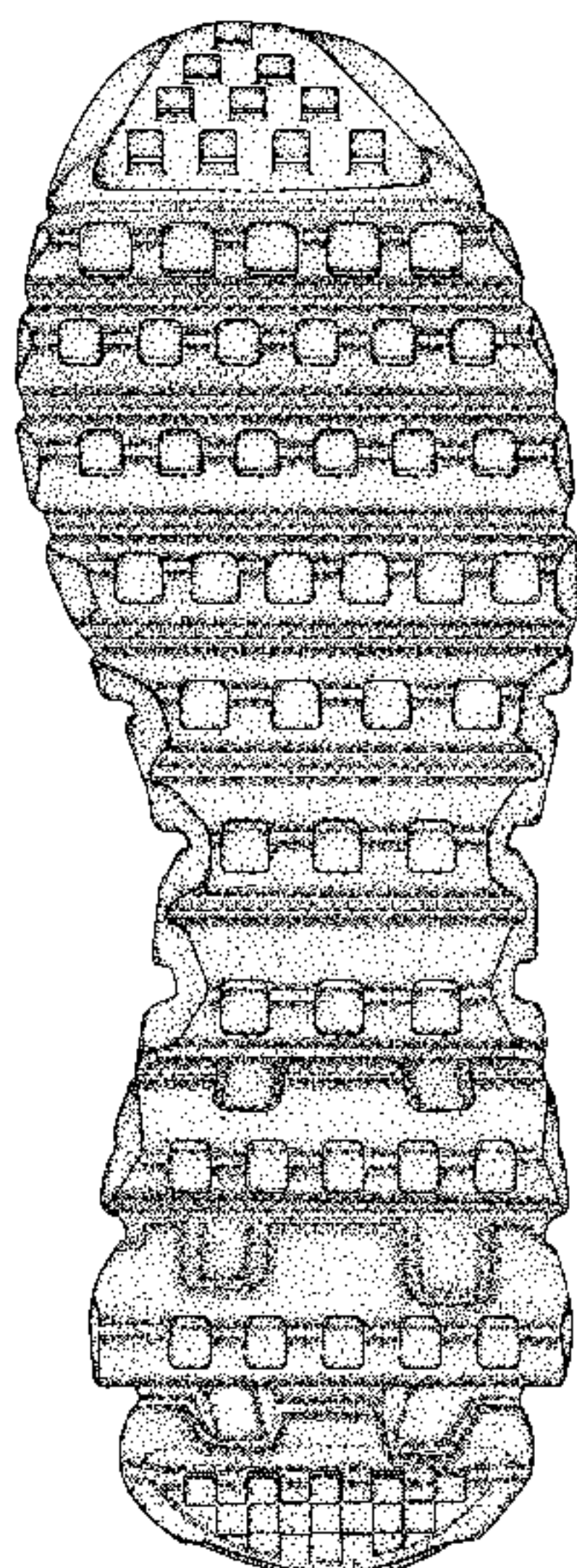
(57) **CLAIM**

The ornamental design for a shoe sole, as shown and
described.

DESCRIPTION

FIG. 1 is a top perspective view of of a shoe sole showing our
new design;
FIG. 2 is a top plan view thereof;
FIG. 3 is a bottom plan view thereof;
FIG. 4 is a left side view thereof;
FIG. 5 is a right side view thereof;
FIG. 6 is a front view; and,
FIG. 7 is a rear view.

1 Claim, 6 Drawing Sheets



(56)

References Cited

U.S. PATENT DOCUMENTS

4,805,319	A	2/1989	Tonkel		6,557,274	B2	5/2003	Litchfield et al.
4,864,737	A	9/1989	Marrello		D475,509	S	6/2003	Avar
D316,324	S	4/1991	Rogers		6,606,804	B2	8/2003	Kaneko et al.
5,044,096	A	9/1991	Polegato		6,625,905	B2	9/2003	Kita
5,052,130	A	10/1991	Barry et al.		6,647,645	B2	11/2003	Kita
D324,131	S	2/1992	Lucas		6,675,500	B1	1/2004	Cadamuro
D325,288	S	4/1992	Richard et al.		6,675,800	B2	1/2004	Keller
D326,014	S	5/1992	Issler		6,685,011	B2	2/2004	Nishiwaki et al.
D327,362	S	6/1992	Hartfield		6,694,642	B2	2/2004	Turner
5,185,943	A	2/1993	Tong et al.		6,711,834	B1	3/2004	Kita
D334,282	S	3/1993	Greene		D488,294	S	4/2004	Lancon D2/957
D336,771	S	6/1993	Harfield et al.		D489,525	S	5/2004	Snow et al.
D347,516	S	6/1994	Foster		D489,881	S	5/2004	Recchi
5,319,866	A	6/1994	Foley et al.		D490,599	S	6/2004	Snow et al.
5,337,492	A	8/1994	Anderie et al.		6,754,981	B1	6/2004	Edwards
D356,206	S	3/1995	Martin		6,763,611	B1	7/2004	Fusco
5,401,564	A	3/1995	Lee et al.		D495,128	S	8/2004	Avar
D357,346	S	4/1995	Ho		D497,046	S	10/2004	Scott
5,406,723	A	4/1995	Okajima		6,810,605	B2	11/2004	Nakano et al.
D360,065	S	7/1995	Werman		D499,247	S	12/2004	Wahoske et al.
D364,497	S	11/1995	Schelling		D506,054	S	6/2005	Sonnergren D2/959
5,469,639	A	11/1995	Sessa		6,964,119	B2	11/2005	Weaver, III
D367,952	S	3/1996	Shea		D515,305	S	2/2006	Andrews-Kramer
5,528,842	A	6/1996	Ricci et al.		D515,306	S	2/2006	Andrews-Kramer
D378,011	S	2/1997	Lucas		D516,293	S	3/2006	Smith, III
D379,259	S	5/1997	Kayano		D523,232	S	6/2006	Shaffer
D385,987	S	11/1997	Braman		D523,614	S	6/2006	Mitchell
D390,346	S	2/1998	Loveder		D523,627	S	6/2006	Avar
5,713,140	A	2/1998	Baggenstoss		D523,628	S	6/2006	Young
5,718,063	A	2/1998	Yamashita et al. 36/28		7,055,198	B2	6/2006	Cadamuro et al.
D394,945	S	6/1998	Doxey		D524,034	S	7/2006	Hlavacs
D395,739	S	7/1998	Mervar		D524,035	S	7/2006	Greene et al.
D396,947	S	8/1998	Serna		D524,535	S	7/2006	Cass
D397,847	S	9/1998	Hudson		7,089,152	B2	8/2006	Oda et al.
D397,849	S	9/1998	Mitsui et al. D2/954		D528,753	S	9/2006	Dirsa
5,799,415	A	9/1998	Kenji et al.		D528,776	S	9/2006	Hui
5,822,886	A	10/1998	Luthi et al.		D528,778	S	9/2006	Avar et al.
D401,747	S	12/1998	Cessor D2/960		D529,267	S	10/2006	Portzline
D402,450	S	12/1998	Munns D2/957		D530,891	S	10/2006	Matis et al. D2/953
D402,455	S	12/1998	Greenberg		D530,905	S	10/2006	Jonsson
D412,236	S	7/1999	von Contal		D532,597	S	11/2006	Chan
5,918,385	A	7/1999	Sessa		7,162,815	B2	1/2007	Miyauchi et al.
D414,316	S	9/1999	Lozano		D537,611	S	3/2007	Matis et al.
D415,610	S	10/1999	Cahill		D546,532	S	7/2007	Matis et al.
5,987,782	A	11/1999	Bramani		D550,439	S	9/2007	Belley et al. D2/955
6,009,637	A	1/2000	Pavone		D551,434	S	9/2007	Nakano D2/955
D420,497	S	2/2000	Panella		D552,832	S	10/2007	Hardy
D421,834	S	3/2000	Cooper		D553,834	S	10/2007	Nakano D2/959
D424,287	S	5/2000	Edwards		D553,837	S	10/2007	Hubbard
6,079,125	A	6/2000	Quellais et al.		D553,846	S	10/2007	Kayano et al.
6,108,943	A	8/2000	Hudson et al.		D555,348	S	11/2007	Bettencourt
6,138,385	A	10/2000	Jungkind et al.		D555,891	S	11/2007	Bettencourt
6,205,681	B1	3/2001	Kita		D560,061	S	1/2008	Chan
6,219,939	B1	4/2001	Kita et al.		D560,062	S	1/2008	Chan
6,219,940	B1	4/2001	Kita		D560,063	S	1/2008	Chan
D442,357	S	5/2001	Burt		D561,958	S	2/2008	Hahn
D442,768	S	5/2001	Matis D2/957		D561,985	S	2/2008	Andersen et al.
6,226,896	B1	5/2001	Friton		7,334,349	B2	2/2008	Sokolowski et al.
6,289,608	B1	9/2001	Kita et al.		7,337,559	B2	3/2008	Russell
D449,433	S	10/2001	Matis et al.		D569,594	S	5/2008	Horne et al.
6,295,741	B1	10/2001	Kita		D569,595	S	5/2008	Le
6,305,100	B1	10/2001	Komarnycky et al.		D570,078	S	6/2008	Davis
6,311,414	B1	11/2001	Kita		7,401,422	B1	7/2008	Scholz et al.
6,314,664	B1	11/2001	Kita et al.		D574,141	S	8/2008	Kaufman
6,338,206	B1	1/2002	Kita		D574,581	S	8/2008	Cooper
6,389,713	B1	5/2002	Kita		D574,583	S	8/2008	St-Louis et al.
6,393,732	B1	5/2002	Kita		D574,602	S	8/2008	Grenet
6,401,365	B2	6/2002	Kita et al.		D574,603	S	8/2008	McMillan
6,418,641	B1	7/2002	Schenkel		D574,604	S	8/2008	McMillan
6,438,870	B2	8/2002	Nasako et al. 36/28		D576,394	S	9/2008	Heller
6,438,873	B1	8/2002	Gebhard et al.		D578,744	S	10/2008	Earle
D465,079	S	11/2002	Merceron		7,441,346	B2	10/2008	Hardy et al.
6,516,539	B2	2/2003	Nishiwaki et al.		D584,490	S	1/2009	Ong
D474,586	S	5/2003	Recchi D2/957		D586,991	S	2/2009	Fuerst
6,557,270	B2	5/2003	Nakano et al.		D586,993	S	2/2009	Banik et al.
					D592,383	S	5/2009	Wawrousek
					D592,847	S	5/2009	Rosenbaum
					D594,195	S	6/2009	Nakano
					7,549,236	B2	6/2009	Dillon et al.

(56)

References Cited

U.S. PATENT DOCUMENTS

D595,937 S 7/2009 Morris
 D596,386 S 7/2009 Brambilla
 7,556,846 B2 7/2009 Dojan et al.
 D599,986 S 9/2009 Reiss
 D600,895 S 9/2009 Morgan
 D601,334 S 10/2009 Werman
 D605,838 S 12/2009 Foust
 D607,193 S 1/2010 Recchi
 D607,633 S 1/2010 Mongelli
 7,644,518 B2 1/2010 Chandler et al.
 D609,440 S 2/2010 Morris
 D609,441 S 2/2010 Wawrousek
 D615,286 S 5/2010 Grote
 D615,741 S 5/2010 Matis et al.
 D616,188 S 5/2010 Chan
 7,707,743 B2 5/2010 Schindler et al.
 D617,085 S 6/2010 Recchi et al.
 D617,983 S 6/2010 Raysse
 7,752,777 B2 7/2010 Hsieh
 7,762,008 B1 7/2010 Clark et al.
 D622,043 S 8/2010 Hauglin
 7,784,196 B1 8/2010 Christensen et al.
 D624,293 S 9/2010 Recchi et al.
 7,832,117 B2 11/2010 Auger et al.
 7,866,063 B2 1/2011 Caine et al.
 7,886,460 B2 2/2011 Teteriatnikov et al.
 D634,922 S 3/2011 Pauk et al.
 D636,567 S 4/2011 Raysse
 D637,380 S 5/2011 Niedner et al.
 7,946,058 B2 5/2011 Johnson et al.
 D641,143 S 7/2011 Niedner et al.
 D641,545 S 7/2011 Niedner et al.
 D642,776 S 8/2011 Raysse
 D643,194 S 8/2011 Raysse
 7,997,011 B2 8/2011 Smith et al.
 D644,419 S 9/2011 Raysse
 D644,420 S 9/2011 Christopherson
 D644,824 S 9/2011 Leleu
 D646,871 S 10/2011 Christopherson
 8,056,262 B2 11/2011 Lindqvist et al.
 8,056,264 B2 11/2011 Sato et al.
 D649,753 S 12/2011 Callahan et al.
 D649,754 S 12/2011 Callahan et al.
 D651,788 S 1/2012 Raysse
 D652,201 S 1/2012 Vestuti et al.
 D653,842 S 2/2012 Weiss
 8,112,905 B2 2/2012 Bemis et al.
 D655,482 S 3/2012 Portzline
 D655,483 S 3/2012 Portzline
 D655,487 S 3/2012 Blakeslee
 D655,489 S 3/2012 Mahoney
 D655,897 S 3/2012 Mahoney
 D655,901 S 3/2012 Raysse
 D655,902 S 3/2012 Debiase
 D656,715 S 4/2012 Katz et al.
 D656,720 S 4/2012 Wawrousek
 D657,542 S 4/2012 Duan
 D657,944 S 4/2012 Casadei
 8,146,266 B2 4/2012 Vattes et al.
 D659,356 S 5/2012 Van Zyll De Jong et al.
 D659,362 S 5/2012 Van Zyll De Jong et al.
 D659,958 S 5/2012 Birkinhead
 D659,959 S 5/2012 Vestuti et al.
 D659,964 S 5/2012 Callahan et al.
 D659,965 S 5/2012 Callahan et al.
 D660,568 S 5/2012 Blakeslee
 8,181,365 B2 5/2012 Cass et al.
 D661,476 S 6/2012 Loverin
 D661,879 S 6/2012 Raysse
 D661,880 S 6/2012 Raysse
 D662,293 S 6/2012 Christopherson
 D662,295 S 6/2012 Raysse
 D662,301 S 6/2012 Raysse
 D662,697 S 7/2012 Portzline
 D662,699 S 7/2012 Callahan et al.

D662,700 S 7/2012 Raysse
 D663,929 S 7/2012 Teng-Lee
 D666,390 S 9/2012 Van Zyll De Jong et al.
 D667,204 S 9/2012 Campbell et al.
 D667,617 S 9/2012 Spring
 D667,618 S 9/2012 Raysse
 D667,619 S 9/2012 Blakeslee
 D668,028 S 10/2012 Pope
 D668,029 S 10/2012 Vestuti et al.
 D669,255 S 10/2012 Birkinhead
 D674,581 S 1/2013 Callahan et al.
 D674,996 S 1/2013 Sallee
 D674,997 S 1/2013 Callahan et al.
 D675,003 S 1/2013 Leon et al.
 D685,566 S 7/2013 Pope
 8,490,296 B2 * 7/2013 Hurd et al. 36/27
 D691,787 S * 10/2013 Callahan et al. D2/953
 2001/0008053 A1 7/2001 Belli
 2001/0052194 A1 * 12/2001 Nishiwaki et al. 36/28
 2003/0101621 A1 6/2003 Nishiwaki et al.
 2004/0154189 A1 8/2004 Wang
 2006/0137227 A1 6/2006 Kita et al.
 2006/0277792 A1 12/2006 Schoenborn
 2006/0283045 A1 12/2006 Kita et al.
 2007/0209230 A1 9/2007 Dillon et al.
 2007/0220778 A1 * 9/2007 Fusco et al. 36/30 R
 2007/0266593 A1 11/2007 Schindler et al.
 2008/0052965 A1 3/2008 Sato
 2008/0066347 A1 3/2008 Suzuki
 2008/0120871 A1 5/2008 Sato et al.
 2008/0229617 A1 9/2008 Johnson et al.
 2008/0276491 A1 11/2008 Gaensler et al.
 2008/0289224 A1 11/2008 Sink
 2009/0013559 A1 1/2009 Chan et al.
 2009/0199438 A1 * 8/2009 Polegato Moretti 36/3 B
 2010/0175280 A1 7/2010 Rinehart, Jr. et al.
 2010/0192420 A1 8/2010 Favraud
 2010/0269376 A1 10/2010 Flannery et al.
 2010/0325917 A1 12/2010 Cass et al.
 2011/0016746 A1 1/2011 Callahan et al.
 2011/0016749 A1 1/2011 Callahan et al.
 2011/0232130 A1 9/2011 Boudreau et al.
 2011/0277351 A1 11/2011 Scoledes
 2011/0289799 A1 12/2011 Keating et al.
 2012/0000095 A1 1/2012 Torrance
 2012/0055047 A1 3/2012 Youngs
 2012/0073160 A1 3/2012 Marvin et al.
 2012/0167416 A1 7/2012 Christensen et al.
 2013/0247425 A1 9/2013 Davis et al.
 2014/0033573 A1 * 2/2014 Wills 36/103

FOREIGN PATENT DOCUMENTS

JP 11000203 (A) 1/1999
 JP 11235202 (A) 8/1999
 JP 2001275711 (A) 10/2001
 JP 2002336003 (A) 11/2002
 JP 2003339405 (A) 12/2003
 JP 2004173884 (A) 6/2004
 JP 2004267516 (A) 9/2004
 JP 2005253578 (A) 9/2005

OTHER PUBLICATIONS

K-Swiss, Inc. Online Store—Tubes Run 100A, http://www.kswiss.com/item/201.200/02316-162/Men/Footwear_Running/Tubes_Run_100_A/Wht_Bl_Sunorng.html (visited on Oct. 2, 2009), 1 page.
 Extended European Search Report for Application No. EP 11194626.5, Applicant: Reebok International Limited, mailed May 8, 2012, 6 pages.
 Reebok Blast shoe, <http://img187.imageshack.us/img187/1264/reebokblasteg0.jpg>, release date 1995, 1 page.
 U.S. Appl. No. 29/416,617, Davis et al., “Portion of a Shoe”, filed Mar. 23, 2012.

* cited by examiner

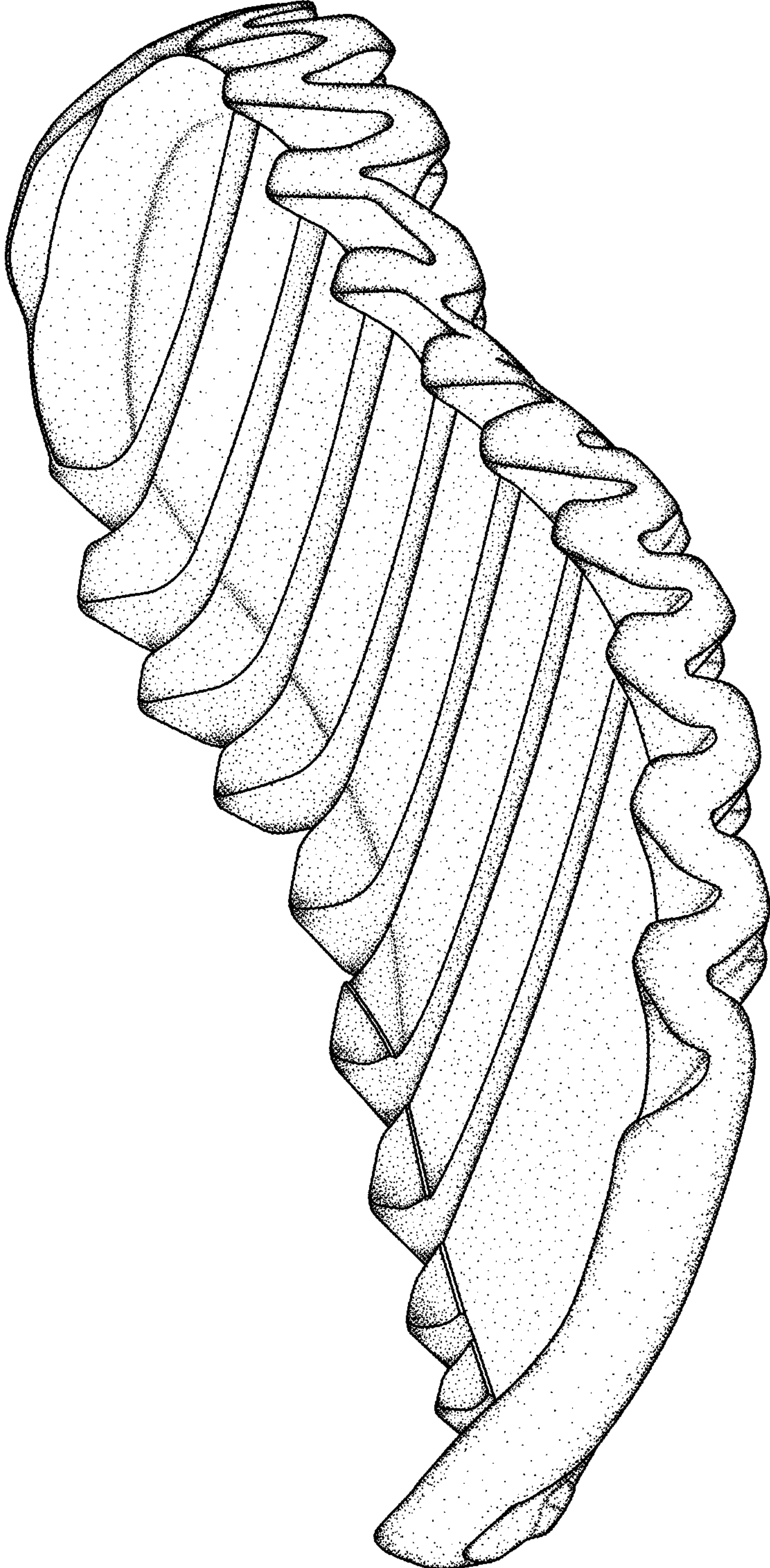


FIG. 1

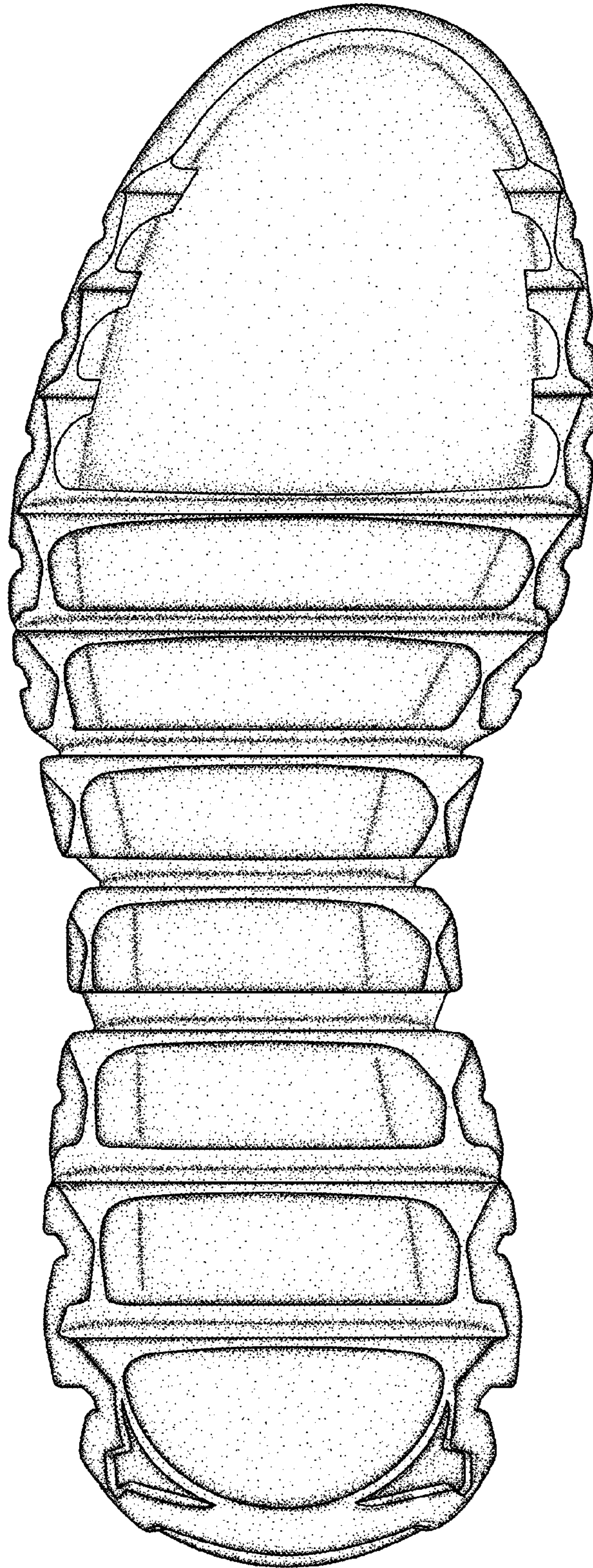


FIG. 2

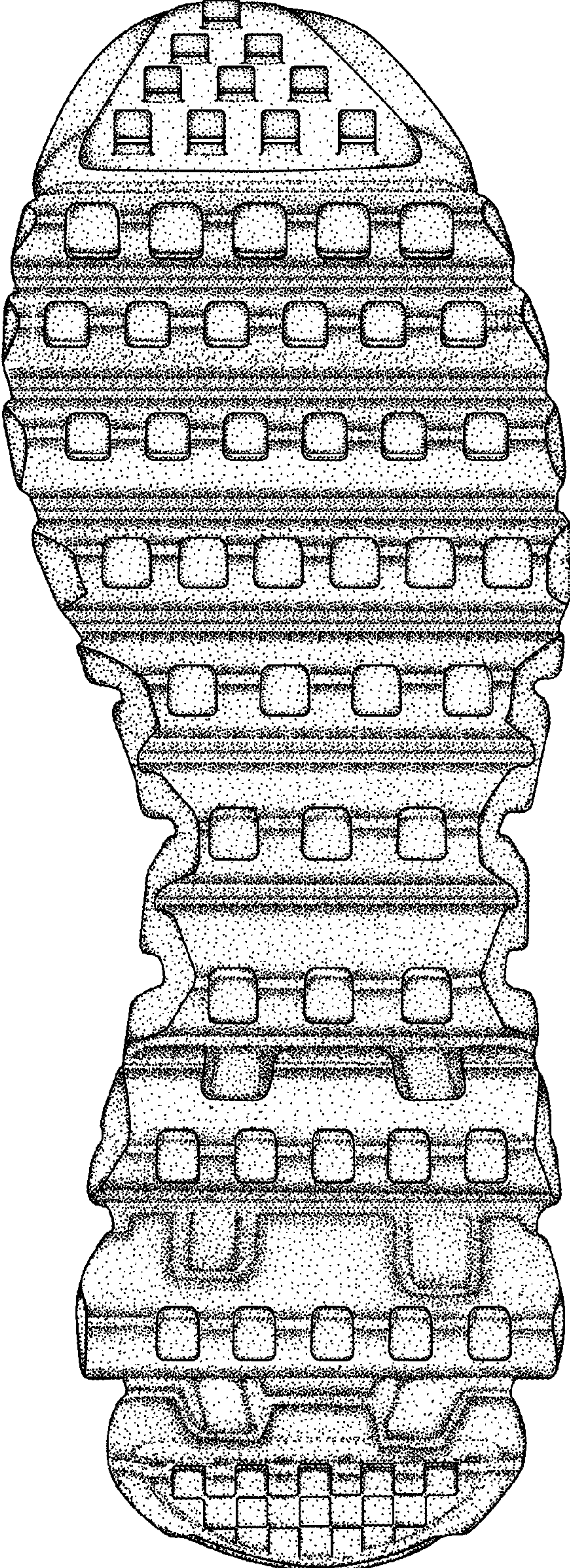


FIG. 3

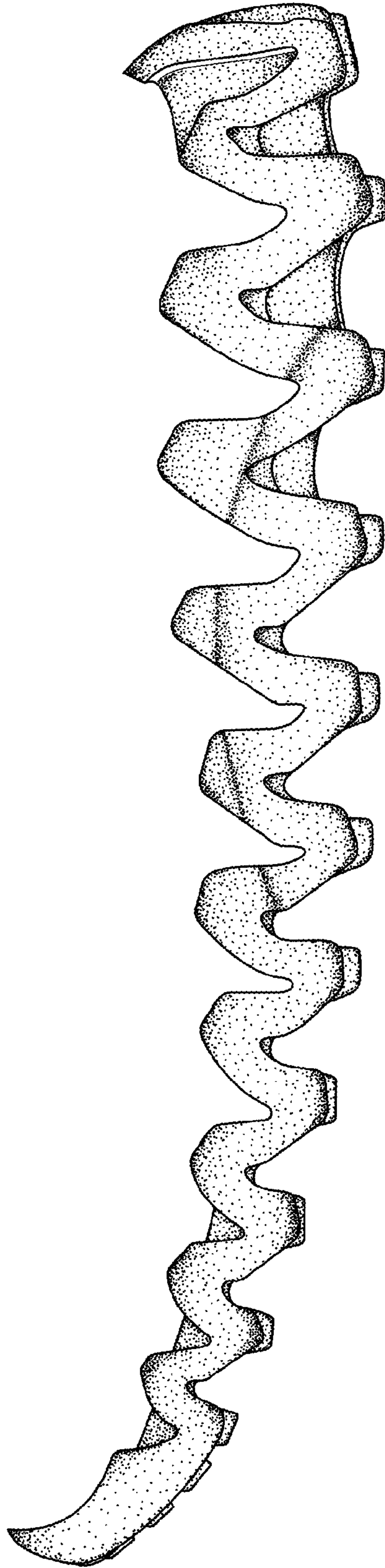


FIG. 4

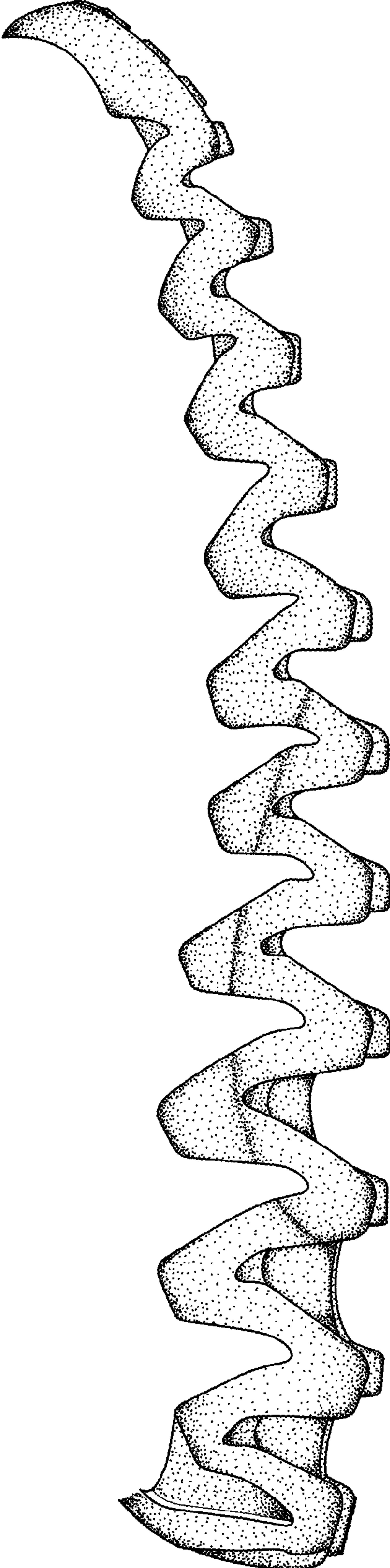


FIG. 5

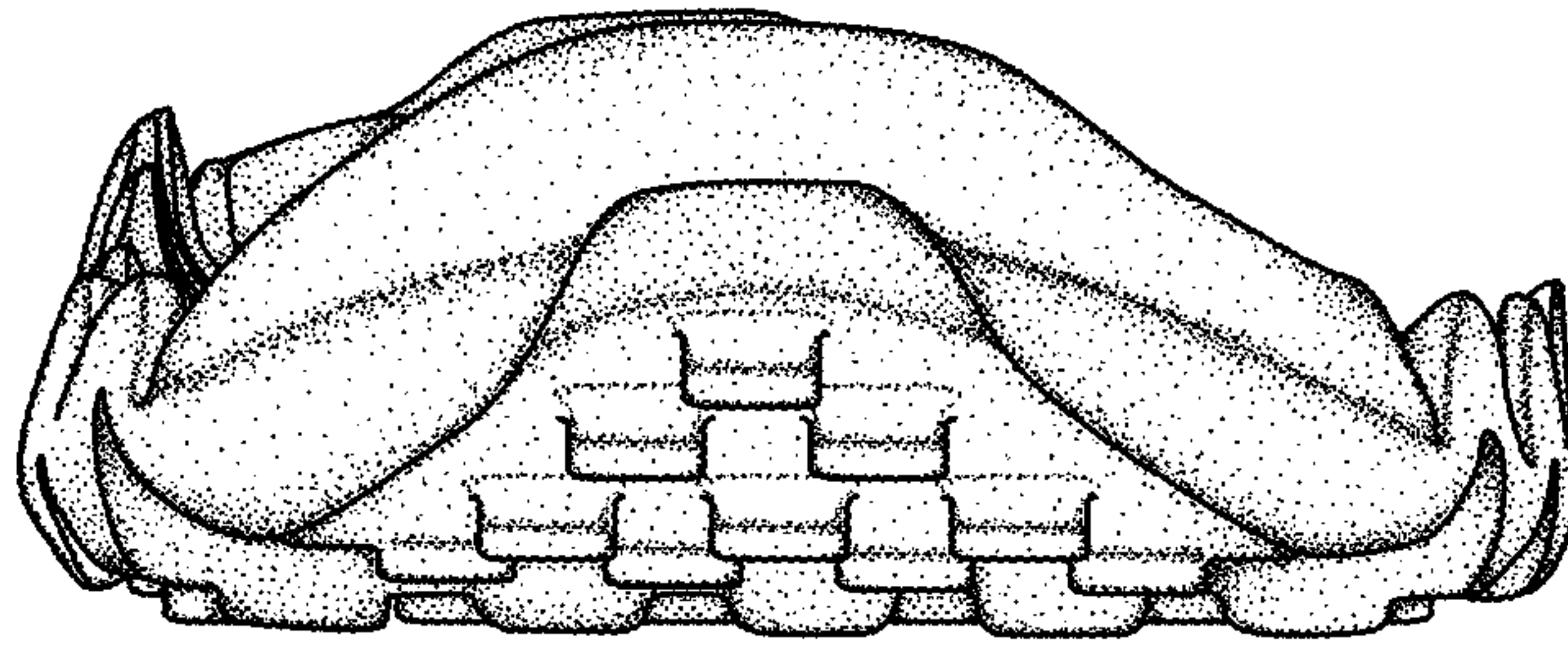


FIG. 6

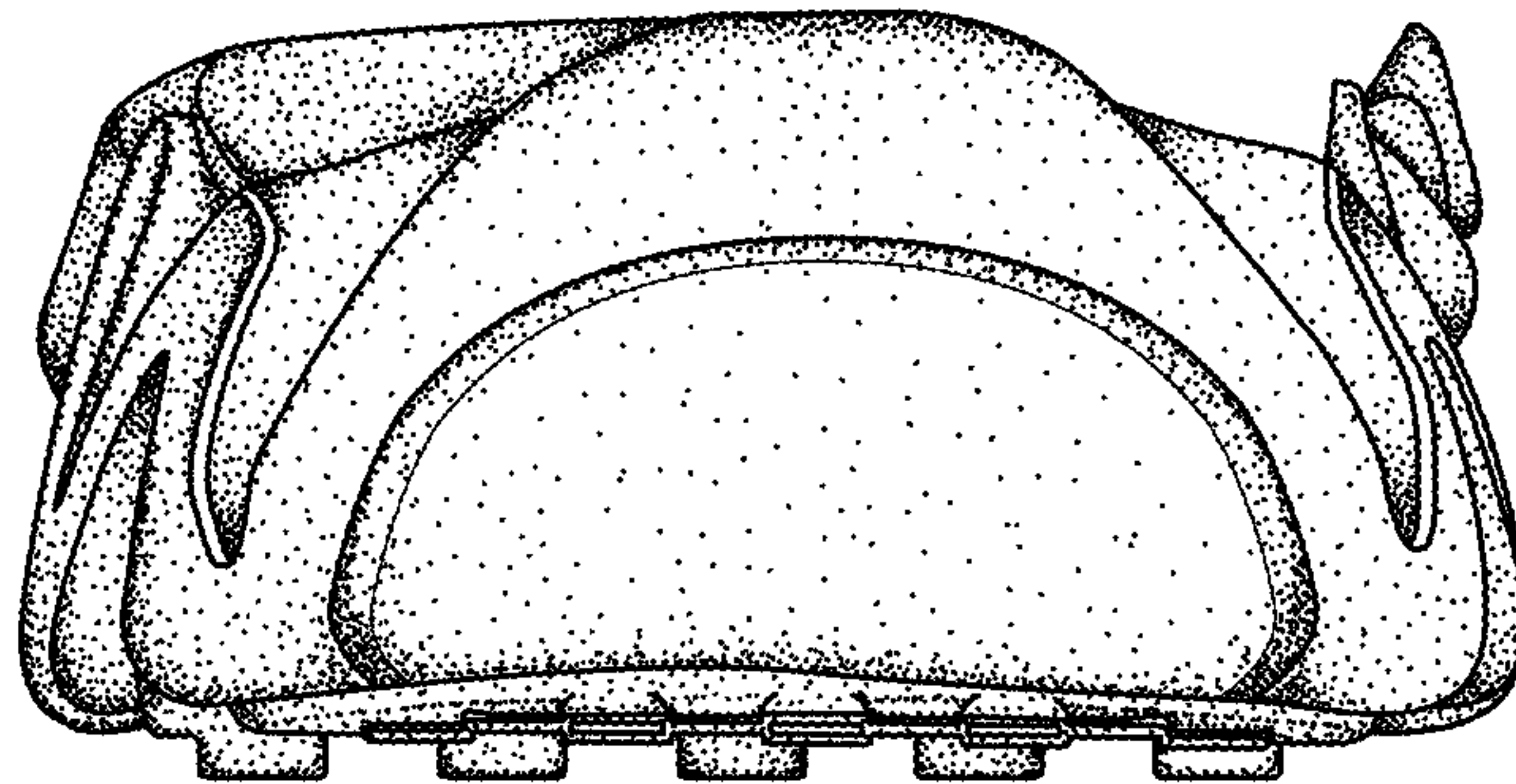


FIG. 7