



US00D713114S

(12) **United States Design Patent**
Etchegary et al.

(10) **Patent No.:** **US D713,114 S**

(45) **Date of Patent:** **** Sep. 9, 2014**

(54) **FLAT RACK**

(71) Applicants: **Glenn Etchegary**, St. John's (CA); **Rick Tiller**, St. John's (CA); **David Porter**, St. John's (CA)

(72) Inventors: **Glenn Etchegary**, St. John's (CA); **Rick Tiller**, St. John's (CA); **David Porter**, St. John's (CA)

(73) Assignee: **Oceanex Inc.**, St. Johns (CA)

(**) Term: **14 Years**

(21) Appl. No.: **29/449,417**

(22) Filed: **Mar. 15, 2013**

(51) **LOC (10) Cl.** **09-08**

(52) **U.S. Cl.**
USPC **D34/38**

(58) **Field of Classification Search**
CPC B65D 19/12; B65D 2519/00323;
B65D 2519/00333; B65D 2519/00273; B65D
2519/00572; B65D 2519/00059; B65D
2519/00024
USPC D34/38; 108/51.11, 51.3, 52.1, 53.1,
108/53.3, 53.5, 55.1, 56.1, 57.13, 57.14,
108/57.16, 901
See application file for complete search history.

(56) **References Cited**

U.S. PATENT DOCUMENTS

3,242,883	A *	3/1966	Aronis	108/52.1
3,386,600	A	6/1968	Betjemann		
D240,212	S *	6/1976	Zinna	D34/38
4,911,318	A *	3/1990	Bishop	220/1.5
5,906,165	A *	5/1999	McCorkle et al.	108/55.1
D426,693	S *	6/2000	Thomsen	D34/38

6,279,763	B1 *	8/2001	Bush	211/195
7,011,479	B2	3/2006	Sain		
7,769,221	B1	8/2010	Shakes et al.		
7,918,165	B2 *	4/2011	Owen	108/55.1
7,927,057	B2	4/2011	Johnson		
8,353,647	B2	1/2013	Crane et al.		
D702,912	S *	4/2014	Friesen et al.	D34/38
2004/0126205	A1	7/2004	Amoss, Jr. et al.		

(Continued)

FOREIGN PATENT DOCUMENTS

CA	2682416	A1	4/2011
WO	9959899	A1	11/1999

(Continued)

Primary Examiner — Cynthia Ramirez

(74) *Attorney, Agent, or Firm* — Law Office of Peter G. Korytnyk, PLLC

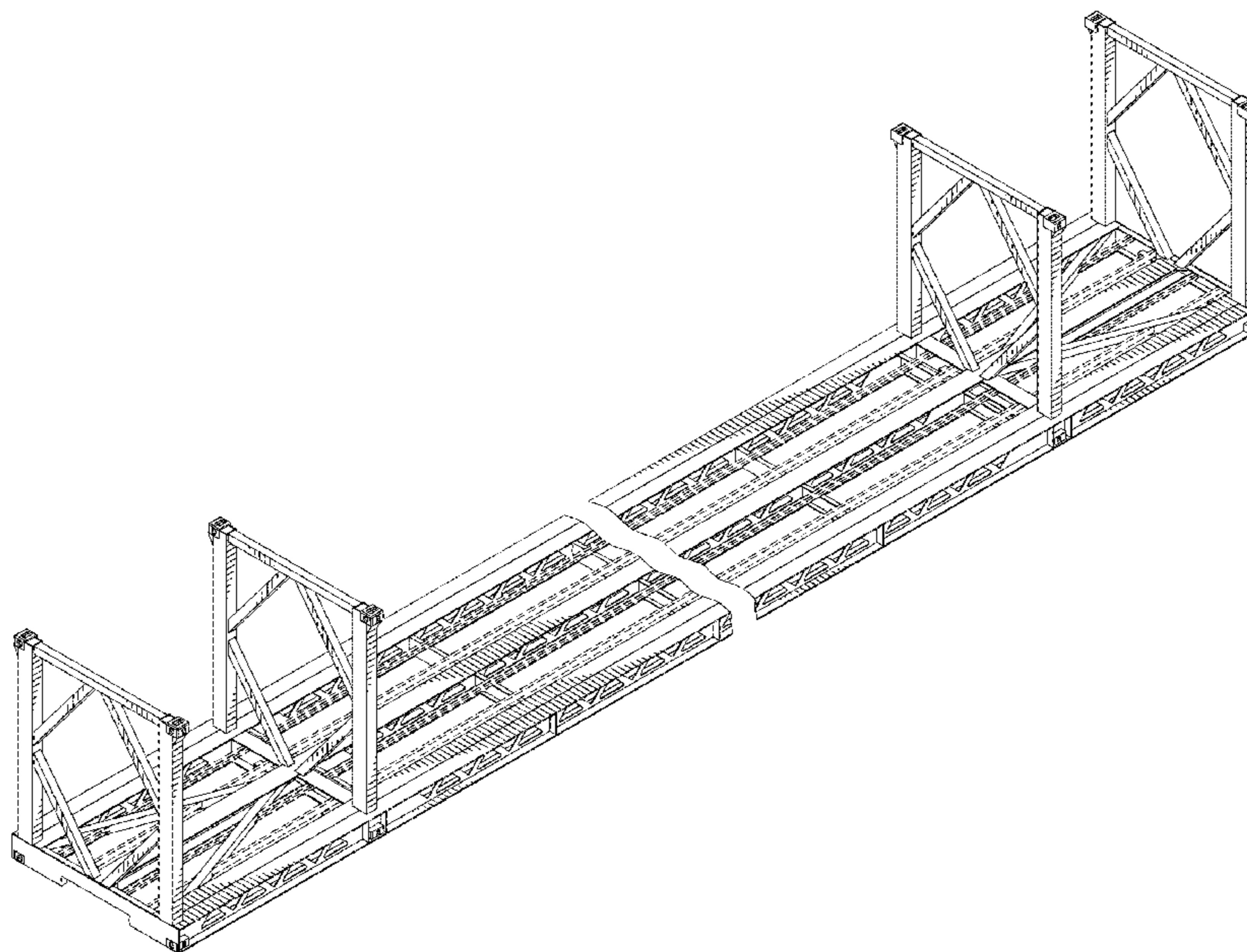
(57) **CLAIM**

The ornamental design for a flat rack, as shown and described.

DESCRIPTION

FIG. 1 is a perspective view of the flat rack according to the present teachings;
FIG. 2 is a top plan view of the flat rack;
FIG. 3 is a bottom plan view of the flat rack;
FIG. 4 is a front elevation view of the flat rack;
FIG. 5 is a back elevation view of the flat rack;
FIG. 6 is a left side elevation view of the flat rack; and,
FIG. 7 is a right side elevation view of the flat rack.
Broken lines shown in the drawings illustrate portions of the flat rack, and form no part of the claimed design.
The jagged lines in the middle portion of the flat rack indicate that any portion of the article beyond what is shown forms no part of the claimed design.

1 Claim, 4 Drawing Sheets



(56)

References Cited

FOREIGN PATENT DOCUMENTS

U.S. PATENT DOCUMENTS

2005/0216294 A1 9/2005 Labow
2006/0269379 A1 11/2006 Orr et al.
2007/0000921 A1 1/2007 Butler et al.
2008/0112779 A1 5/2008 Amoss et al.
2011/0135424 A1 6/2011 Amoss, Jr. et al.
2013/0125796 A1* 5/2013 Crane et al. 108/55.1

WO 0110747 A1 2/2001
WO 2004041679 A1 5/2004
WO 2005062903 A2 7/2005
WO 2006005920 A1 1/2006
WO 2009064178 A1 5/2009
WO 2009153586 A1 12/2009
WO 2011048427 A1 4/2011

* cited by examiner

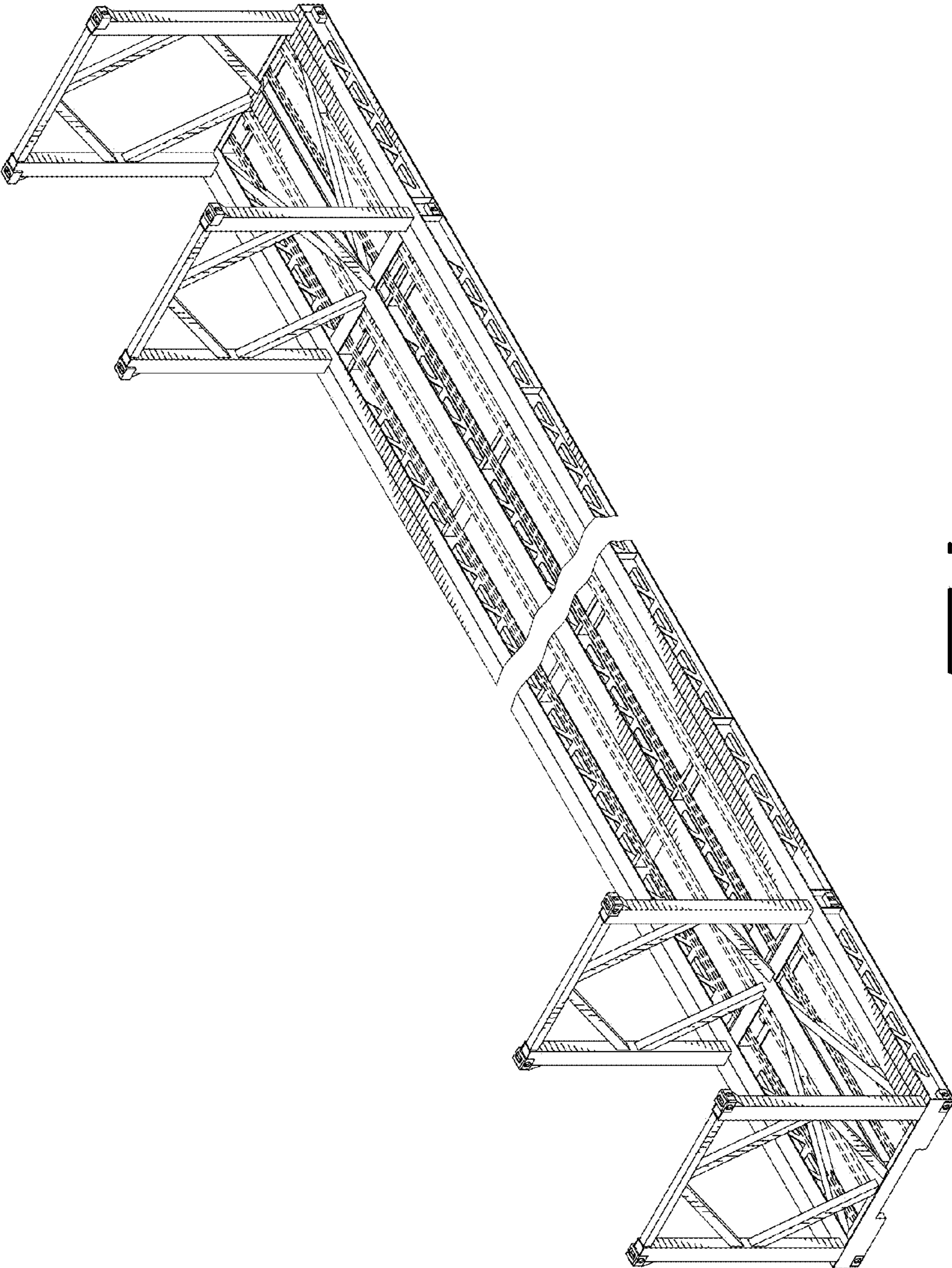


FIG. 1

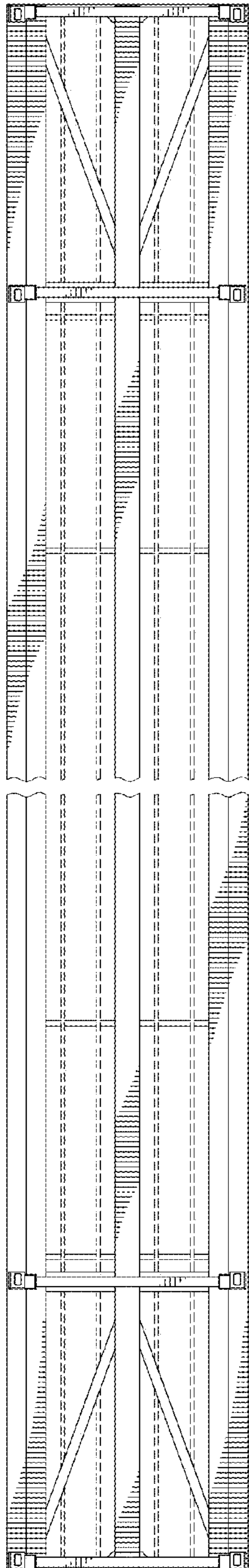


FIG-2

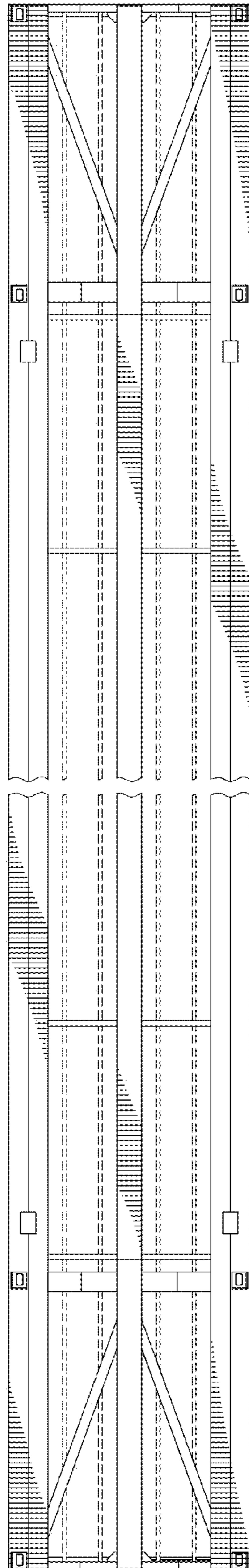


FIG-3

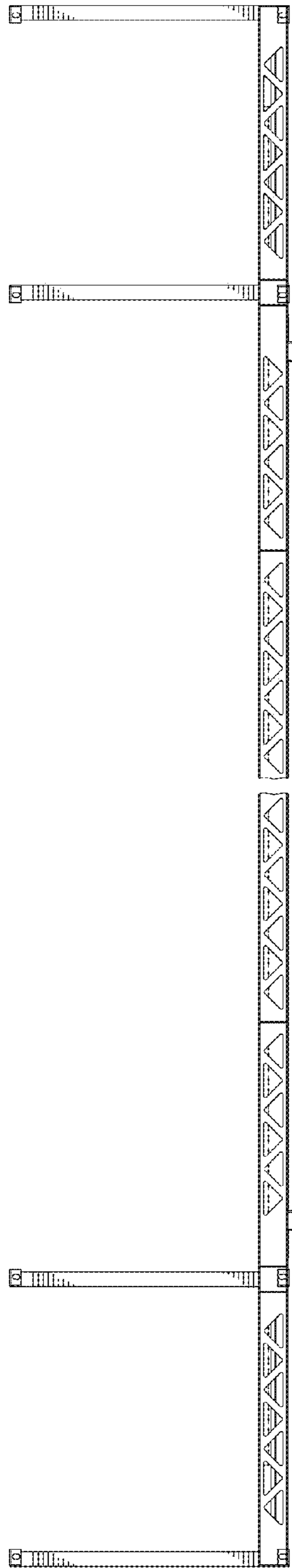


Fig-4

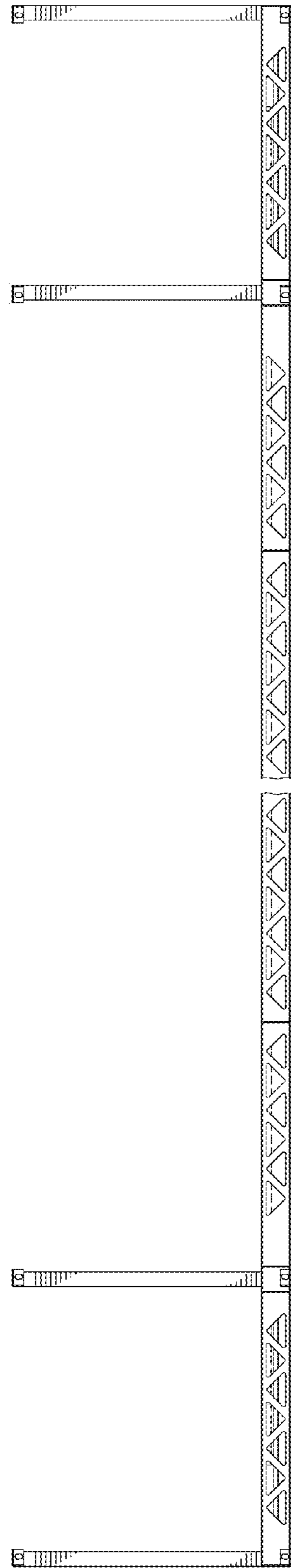


Fig-5

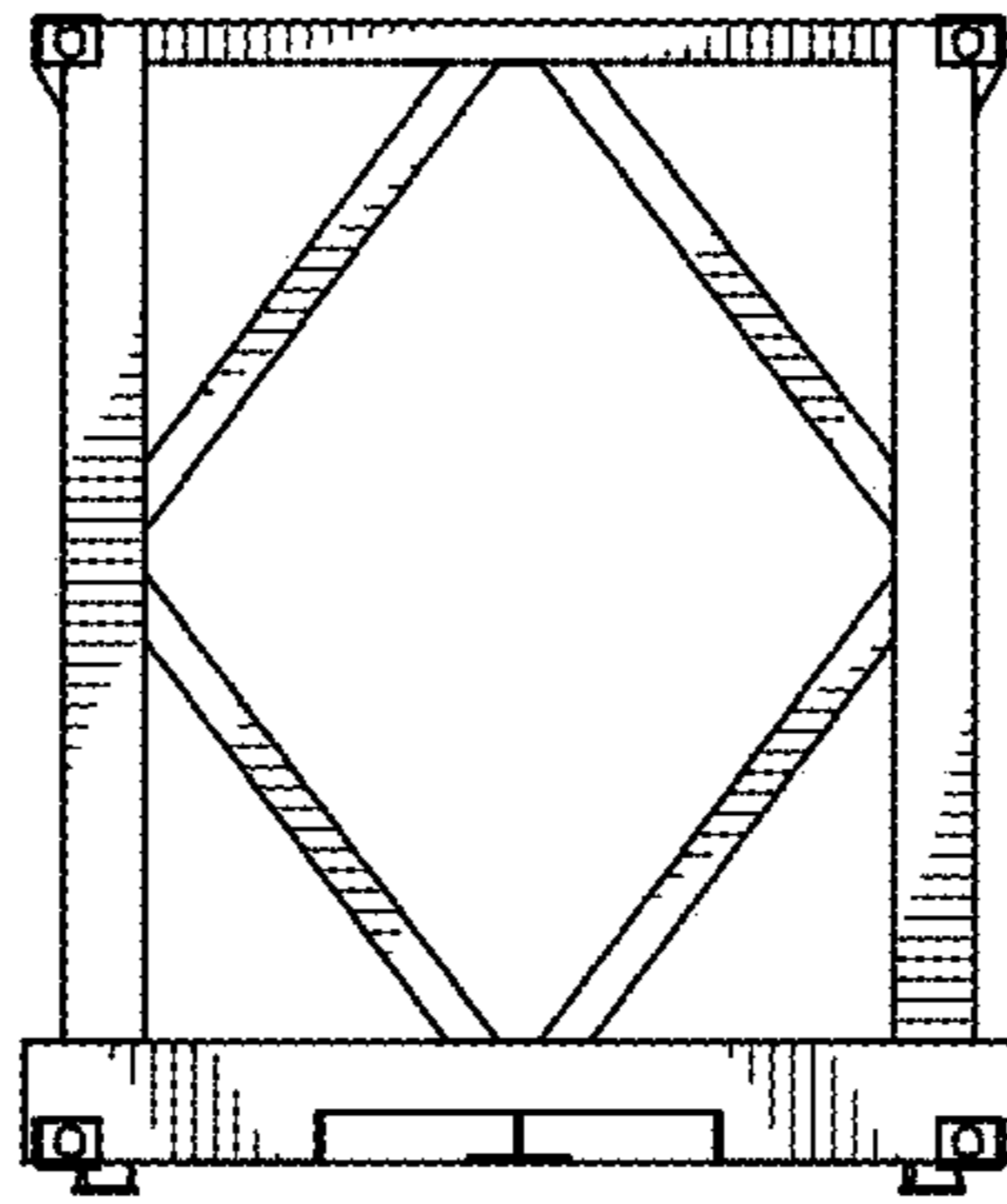


Fig-6

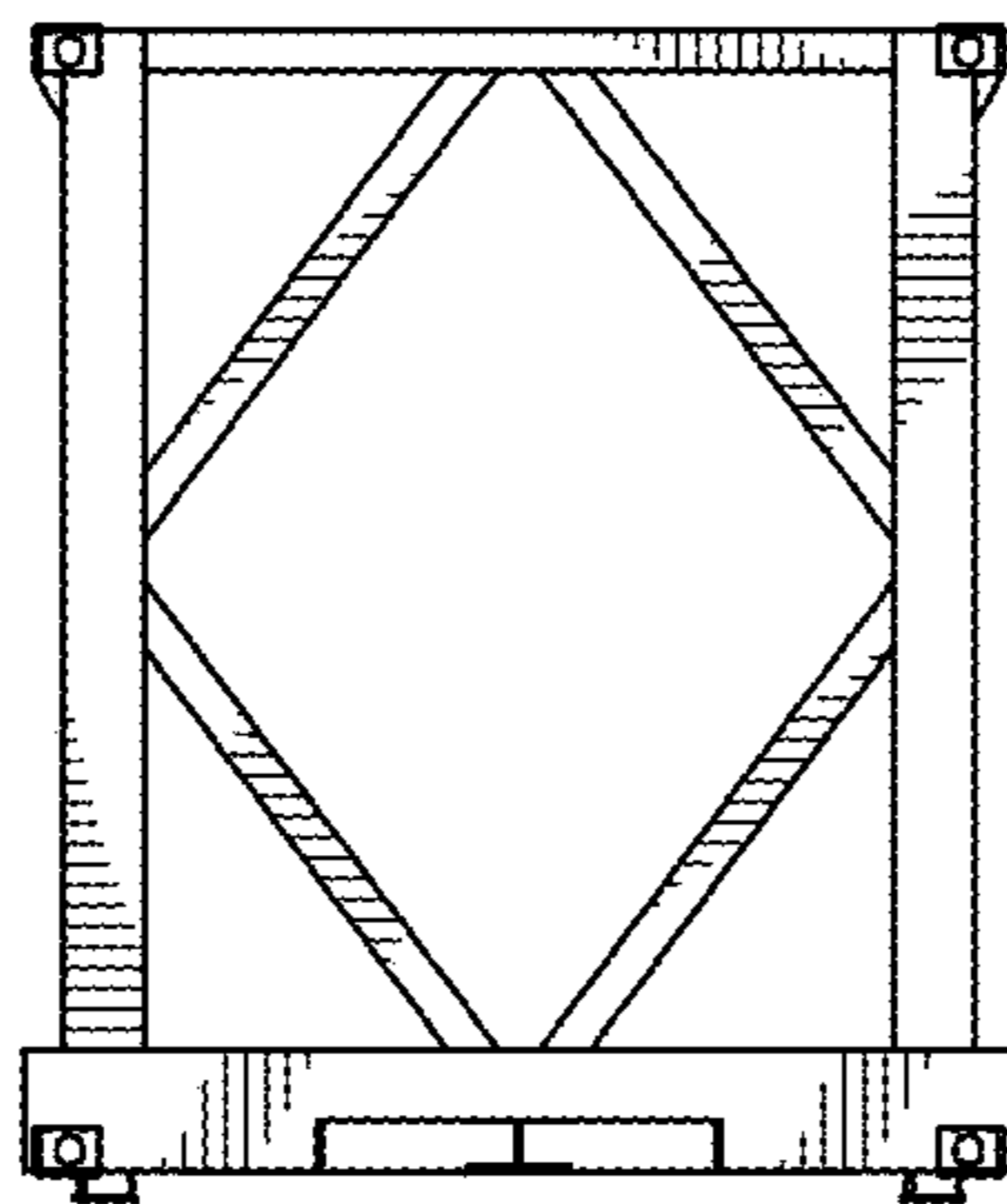


Fig-7