



US00D713113S

(12) **United States Design Patent**  
**Hsieh et al.**

(10) **Patent No.:** **US D713,113 S**

(45) **Date of Patent:** **\*\* Sep. 9, 2014**

(54) **TROLLEY RECESSED FIXED FRAME**

(71) Applicant: **Traveljoy International Co., Ltd.**,  
Changhua County (TW)

(72) Inventors: **Hung-Ching Hsieh**, Changhua County  
(TW); **Hung-Hsin Hsieh**, Changhua  
County (TW)

(73) Assignee: **Traveljoy International Co., Ltd.**,  
Changhua County (TW)

(\*\*) Term: **14 Years**

(21) Appl. No.: **29/454,001**

(22) Filed: **May 5, 2013**

(51) **LOC (10) Cl.** ..... **12-02**

(52) **U.S. Cl.**  
USPC ..... **D34/27**

(58) **Field of Classification Search**  
USPC ..... D34/12-27; 280/47.315, 40, 35, 38,  
280/47.17, 47.18, 47.24, 47.27, 47.29, 42,  
280/63, 65, 5, 638, 641, 645, 646, 651, 652,  
280/654

See application file for complete search history.

(56) **References Cited**

**U.S. PATENT DOCUMENTS**

D364,022	S	*	11/1995	Kazmark, Jr.	.....	D34/26
D370,238	S	*	5/1996	Cheatham	.....	D21/371
D411,679	S	*	6/1999	Hsieh et al.	.....	D34/24
6,053,514	A	*	4/2000	Su	.....	280/40
D466,267	S	*	11/2002	Lee	.....	D34/24
D473,990	S	*	4/2003	Hittle	.....	D34/18

D485,038	S	*	1/2004	Zimmer	.....	D34/24
D522,708	S	*	6/2006	Chang	.....	D34/24
D683,923	S	*	6/2013	Henley et al.	.....	D34/26
2002/0180184	A1	*	12/2002	Chang	.....	280/652

\* cited by examiner

*Primary Examiner* — Cynthia Ramirez

(74) *Attorney, Agent, or Firm* — Chun-Ming Shih

(57) **CLAIM**

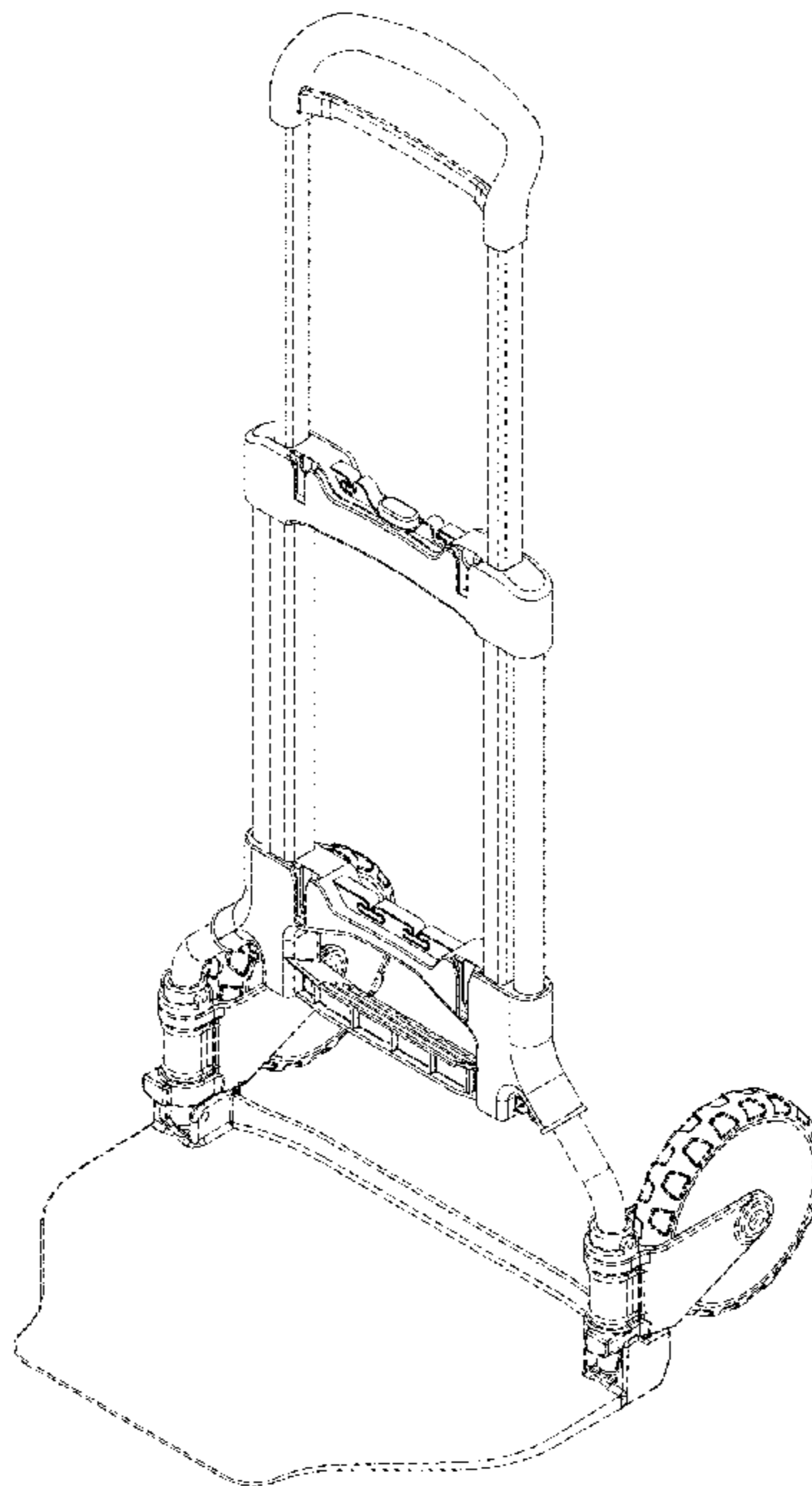
The ornamental design for a trolley recessed fixed frame, as shown and described.

**DESCRIPTION**

FIG. 1 is a front left perspective view of a trolley recessed fixed frame showing my new design;  
 FIG. 2 is a front perspective view thereof;  
 FIG. 3 is a rear perspective view thereof;  
 FIG. 4 is a left side elevation view thereof;  
 FIG. 5 is a right side elevation view thereof;  
 FIG. 6 is a top plan view thereof;  
 FIG. 7 is a bottom side elevation view thereof;  
 FIG. 8 is a front left plan view thereof;  
 FIG. 9 is a front left perspective view thereof; illustrating the device the present invention in use; and,  
 FIG. 10 is a front left perspective view illustrating the device the present invention in use.

The broken lines in the figures are included for the purpose of illustrating portions of the trolley and form no part of the claimed design.

**1 Claim, 10 Drawing Sheets**



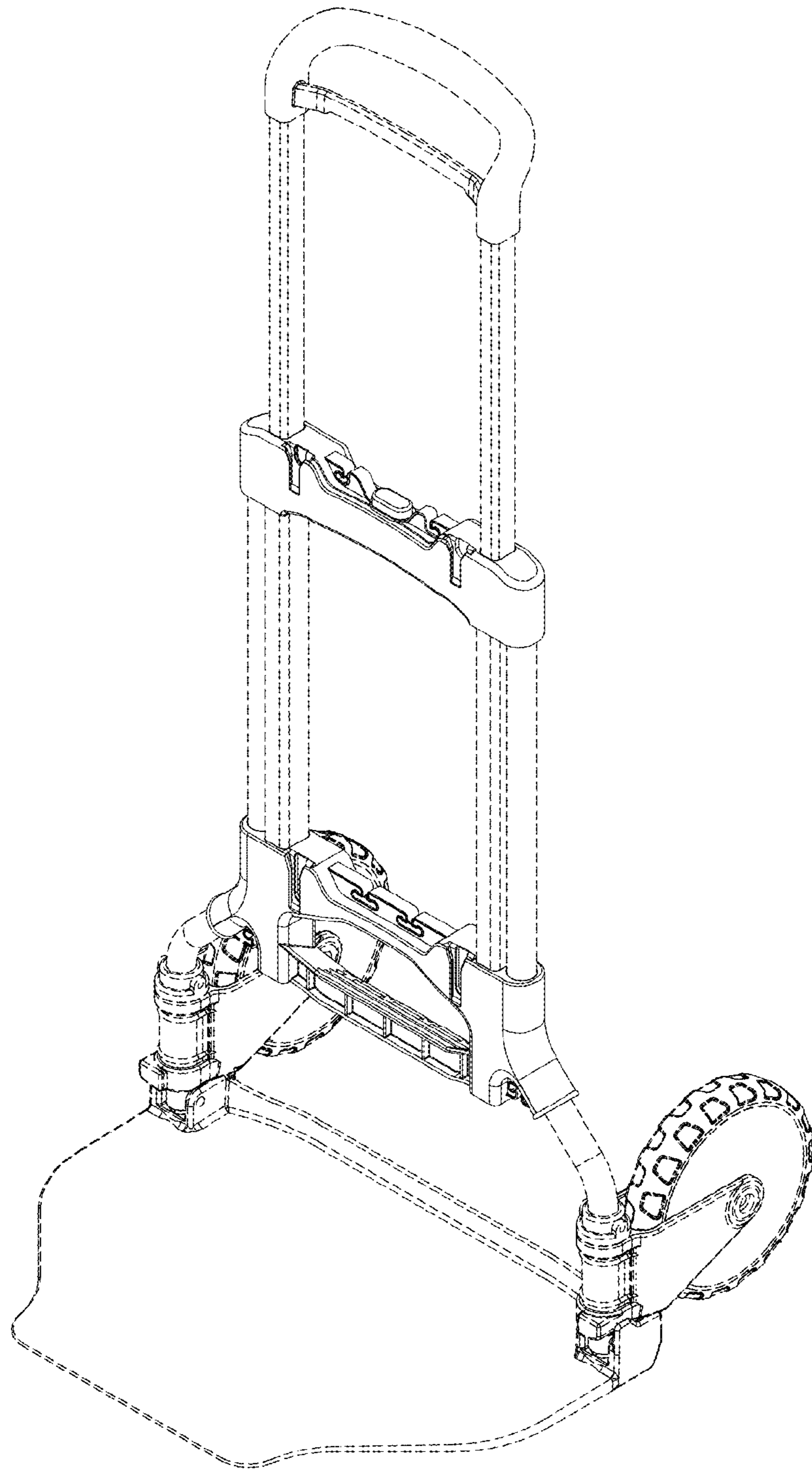


Fig.1

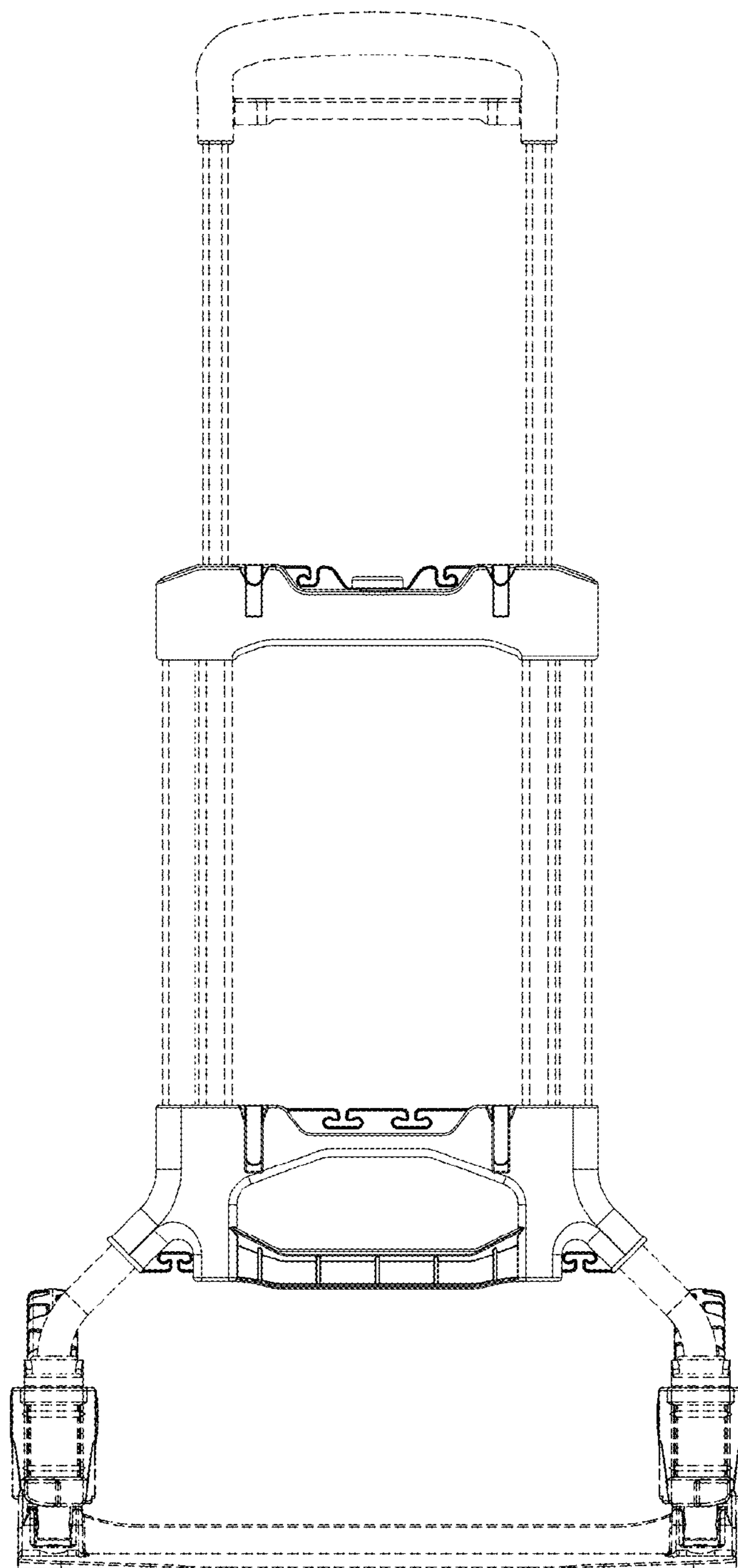


Fig.2

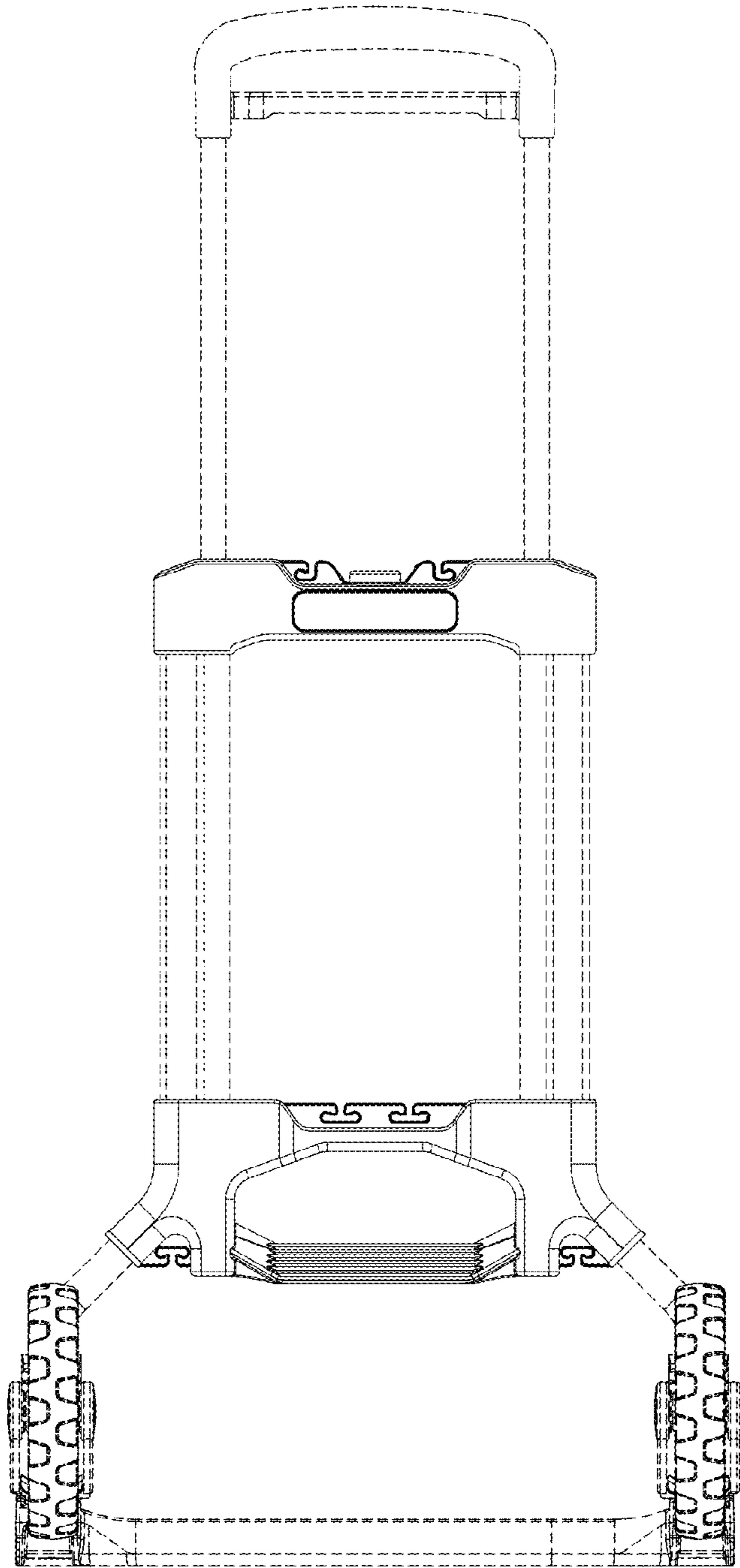


Fig.3

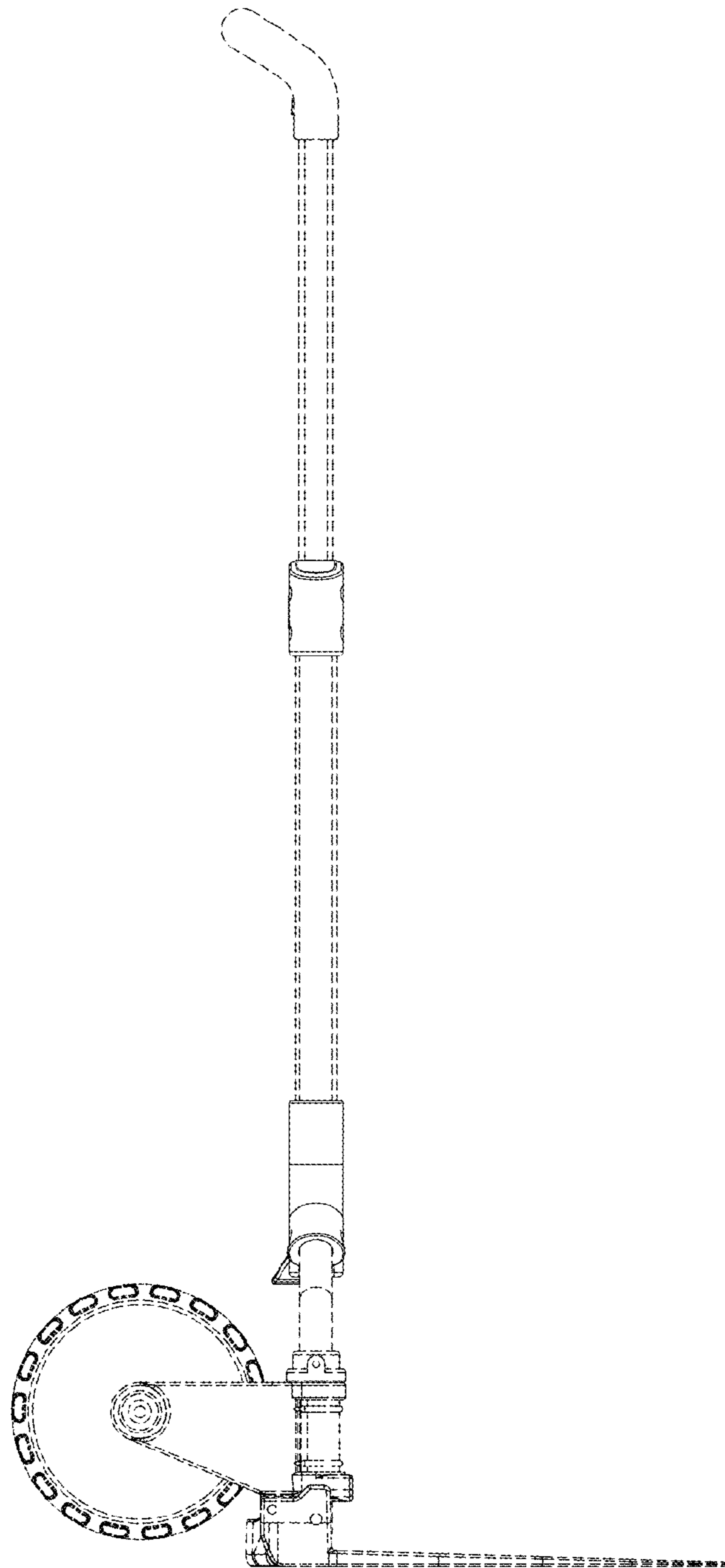


Fig.4

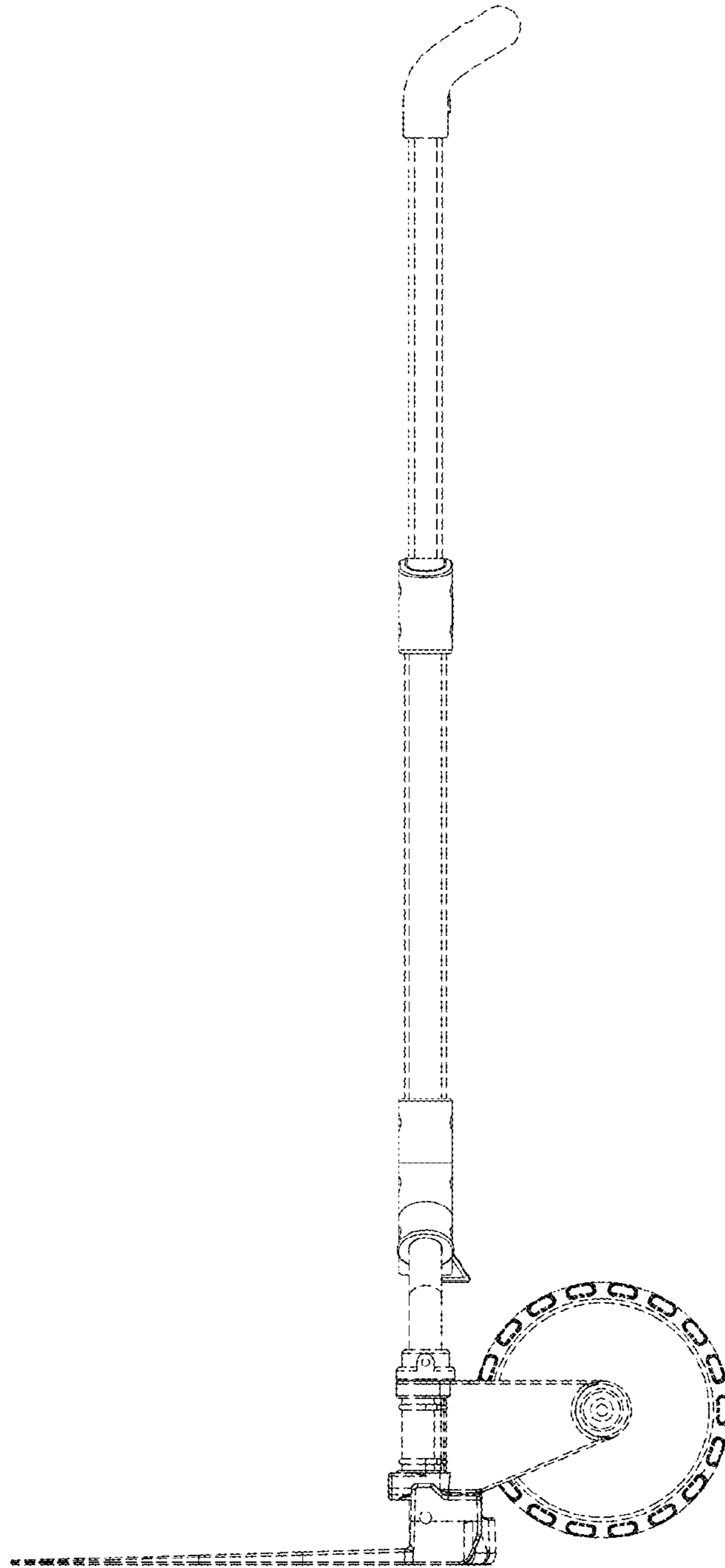


Fig.5



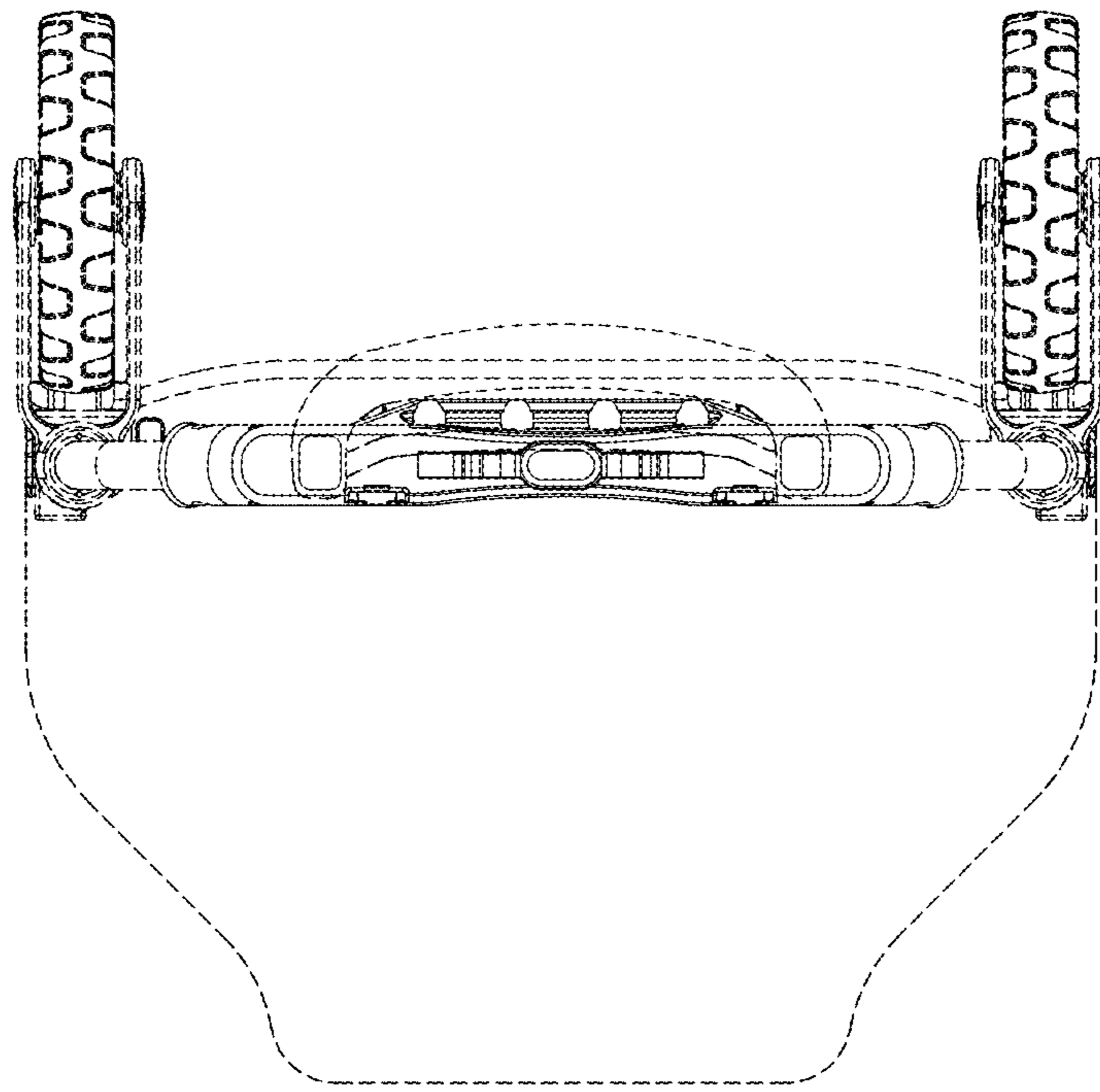


Fig.6

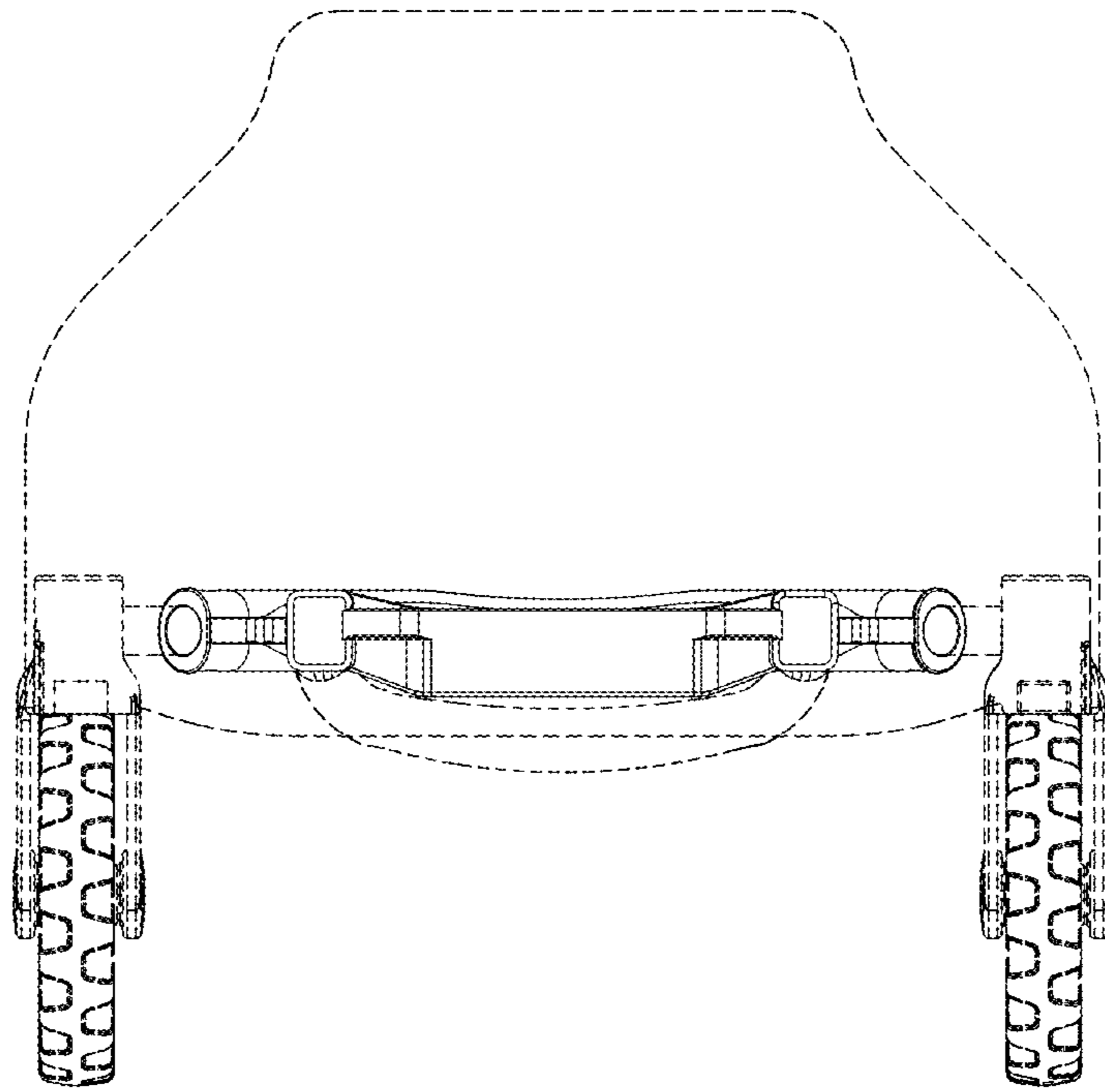


Fig.7



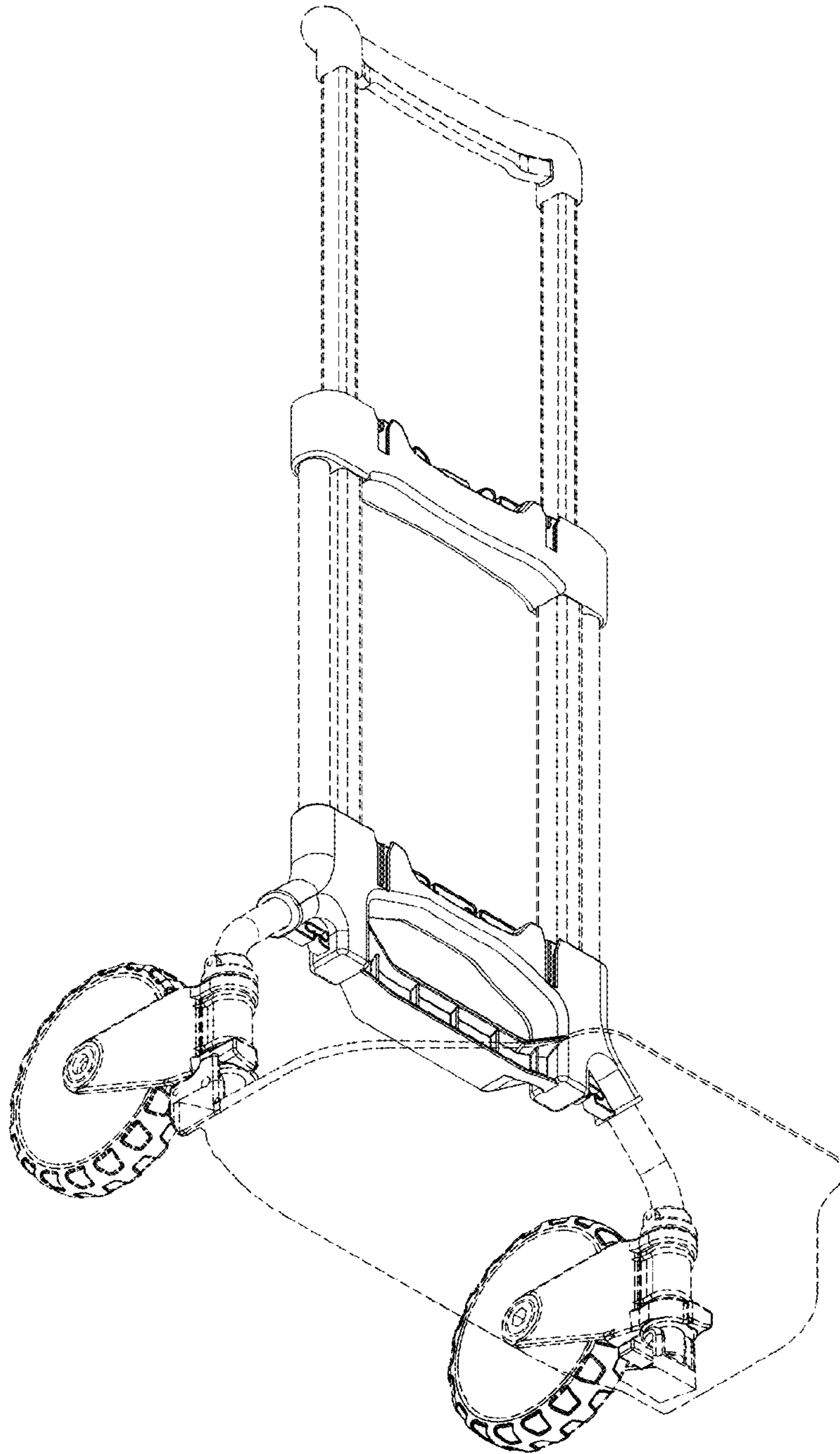


Fig.8

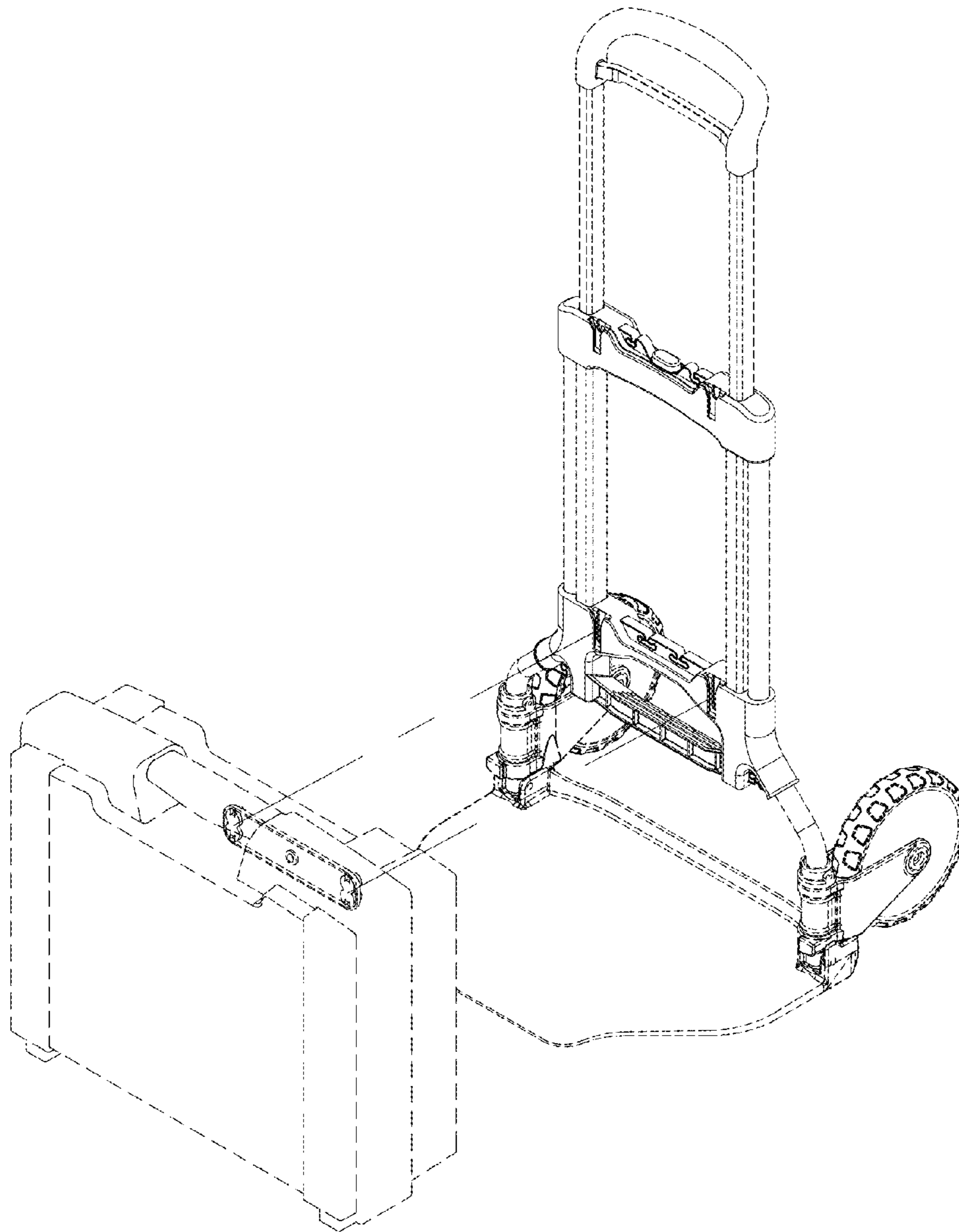


Fig.9

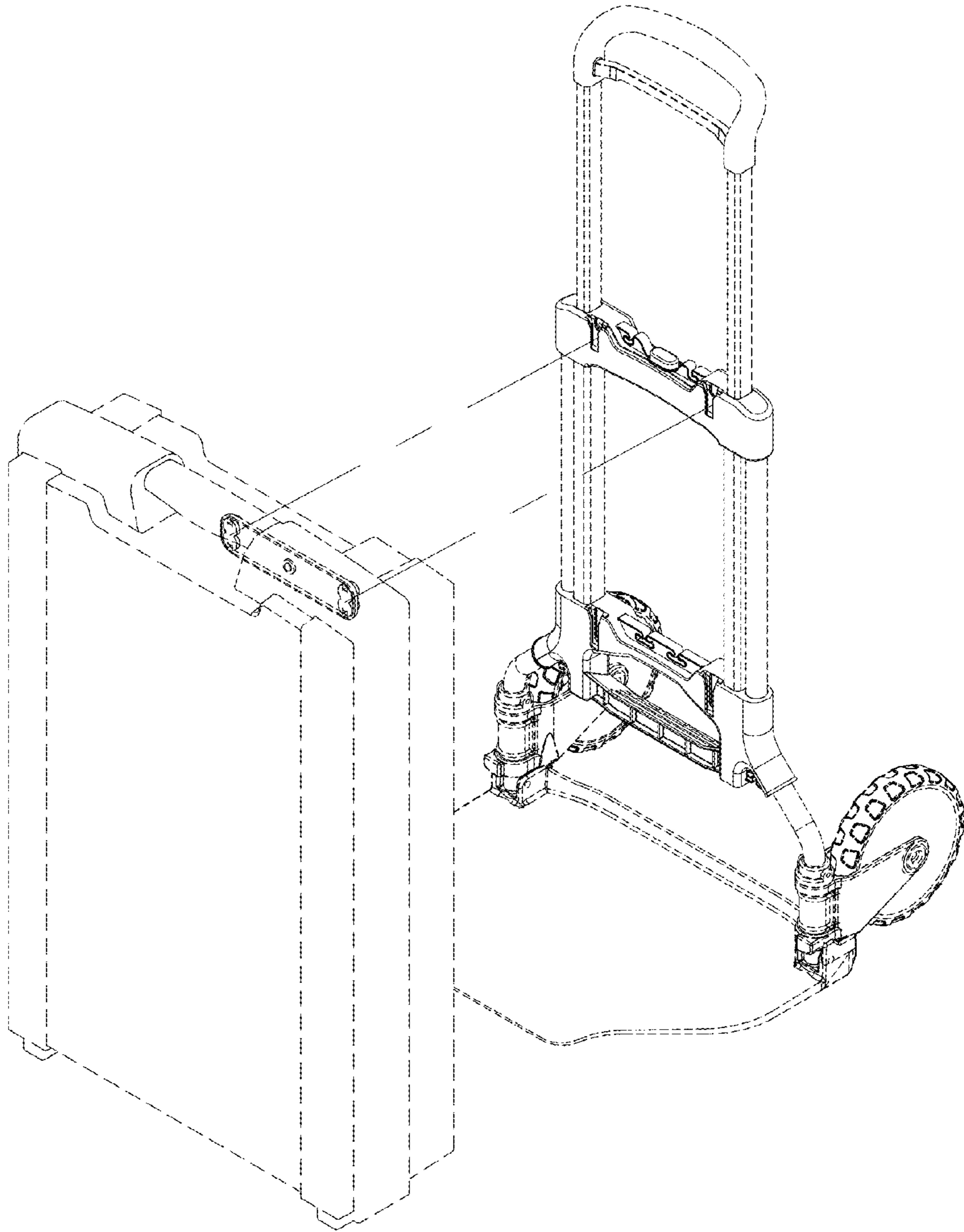


Fig.10